

2

1

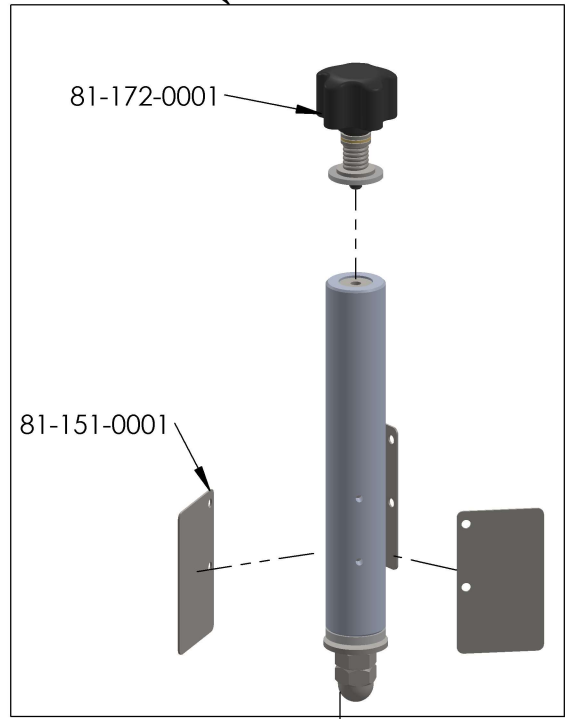
D

D



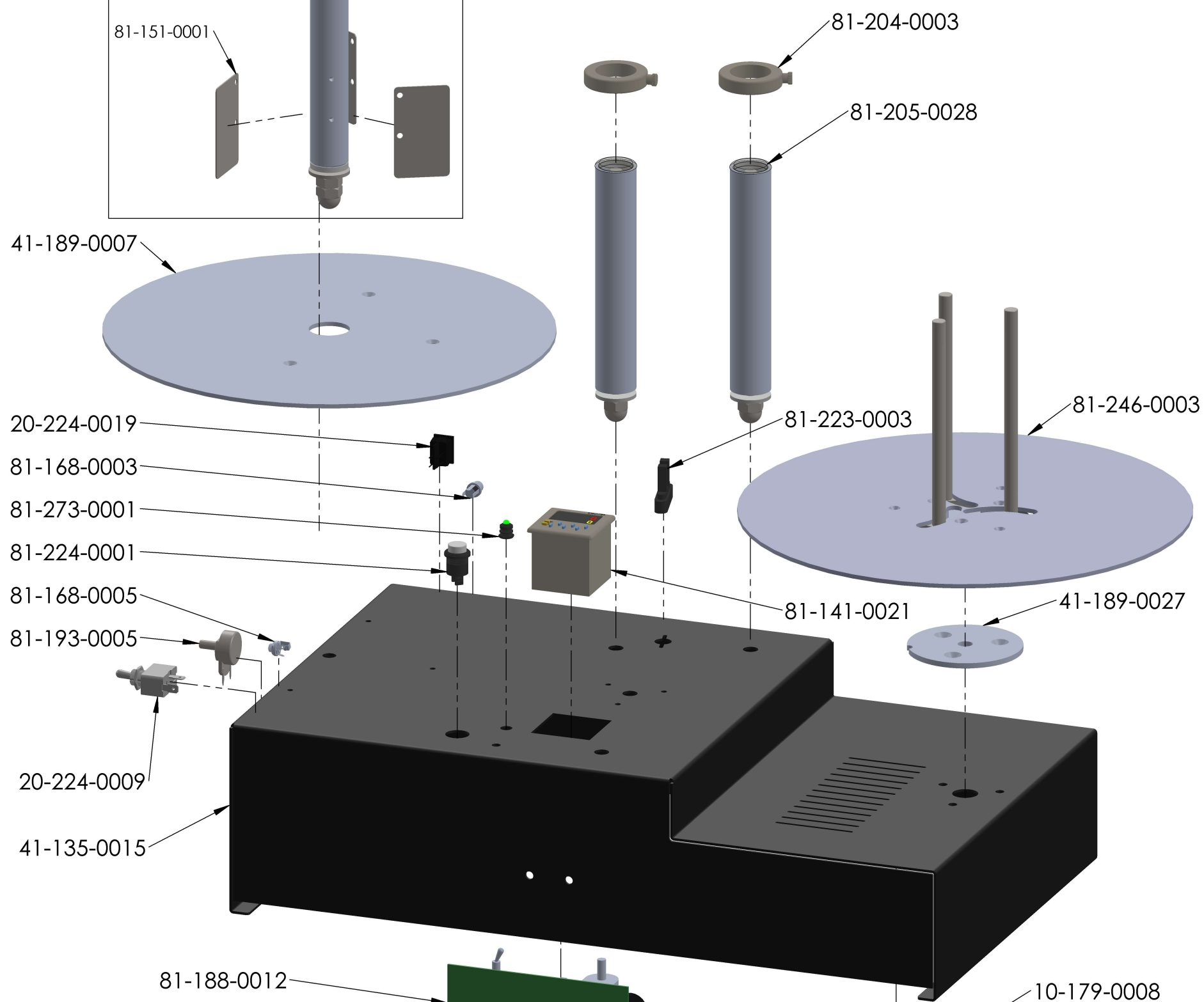
C

C



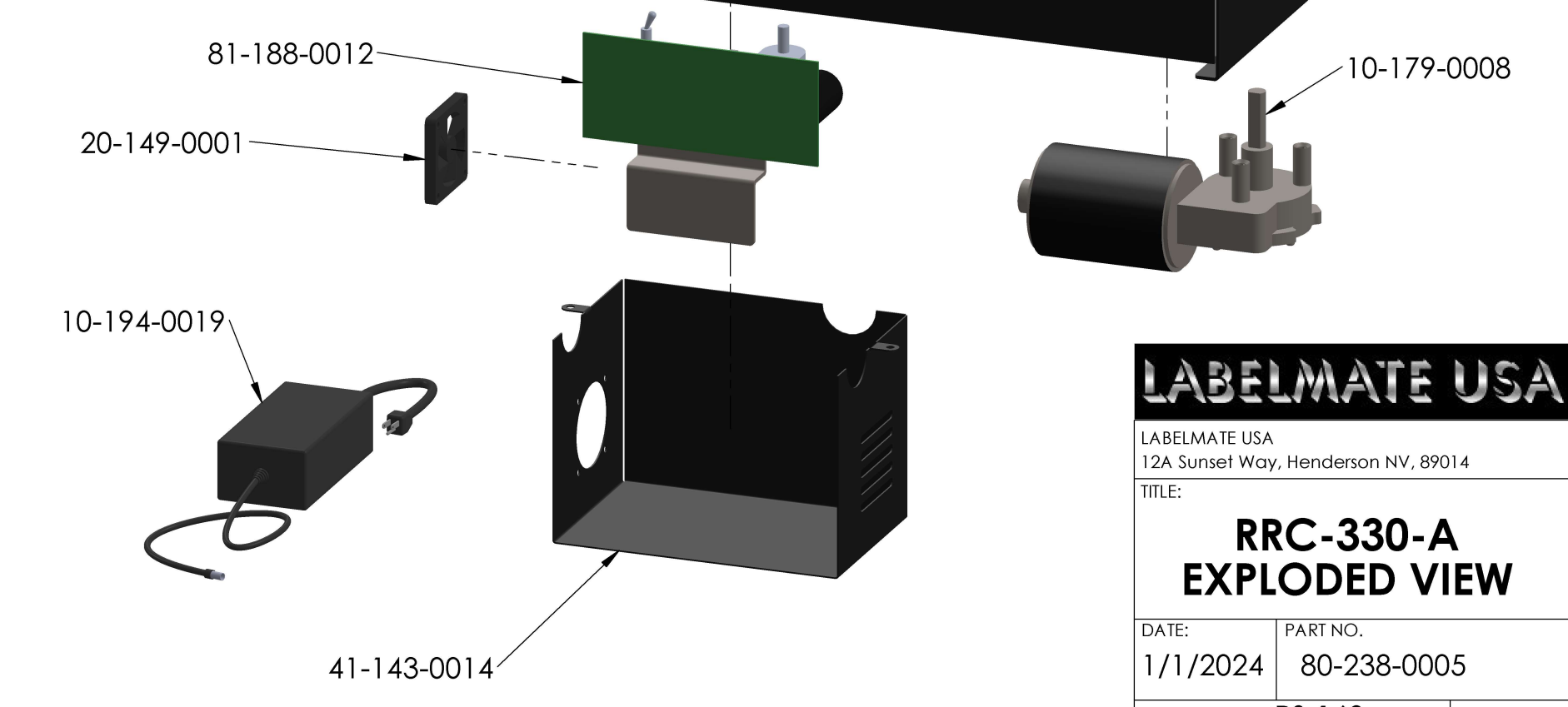
B

B



A

A



2

1

**LABELMATE USA**

LABELMATE USA  
12A Sunset Way, Henderson NV, 89014

TITLE:  
**RRC-330-A  
EXPLODED VIEW**

DATE: 1/1/2024	PART NO. 80-238-0005
-------------------	-------------------------

POWER SUPPLY: PS-160	MODEL
----------------------	-------

4

3

2

1

## LIST OF MATERIALS

PART NUMBER	ITEM DESCRIPTION	QTY		PART NUMBER	ITEM DESCRIPTION	QTY
10-194-0019	POWER SUPPLY, PS-160	1		81-244-0009	TSN, RR-6	1
41-135-0015	CHASSIS, RR-330A	1		81-172-0001	UPG, TSN, RR-6	1
41-143-0014	COVER, RR	1		81-151-0001	FIN SET, 31MM	1
10-179-0008	MOTOR, RR-100	1		41-189-0007	PLATE, UNWIND, RR	1
20-224-0019	SWITCH, ON-OFF	1		81-205-0028	ROLLER KIT, RR, 6" (SET OF 2)	1
81-224-0001	BUTTON ASSY, RESET, RR	1		81-204-0003	RING, GUIDE, RR	2
81-168-0003	JACK ASSY, DC PWR, RR	1		81-246-0003	ACH, RR	1
81-273-0001	LED ASSY, RR	1		81-168-0005	JACK ASSY, EXT HALT, RR	1
81-141-0021	COUNTER ASSY, PCR-1	1		20-224-0009	SWITCH, TOG-DIR	1
81-223-0003	OPS ASSY-816	1		81-193-0005	POT ASSY, RR, 10K	1
81-188-0012	PCB, RR	1		20-149-0001	FAN, RR	1

**LABELMATE USA**

LABELMATE USA  
12A Sunset Way, Henderson NV, 89014

TITLE:

**RRC-330-A  
EXPLODED VIEW**

DATE:

1/1/2024

PART NO.:

80-238-0005

POWER SUPPLY: PS-160

PARTS LIST

4

3

2

1

**LABELMATE USA**

LABELMATE USA  
12A Sunset Way, Henderson NV, 89014

TITLE:

**RRC-330-A  
EXPLODED VIEW**

DATE:

1/1/2024

PART NO.:

80-238-0005

POWER SUPPLY: PS-160

PARTS LIST