

2

1

D

D

81-244-0009

81-172-0001

81-151-0001

C

C

41-189-0007

81-204-0003

41-205-0035

81-205-0028

B

B

20-224-0019

81-168-0003

81-274-0002

81-224-0001

81-273-0001

81-168-0005

81-193-0005

81-223-0003

81-141-0021

10-210-0012

81-246-0003

30-172-0001

41-189-0027

20-224-0009

41-135-0016

81-188-0012

20-149-0001

30-172-0001

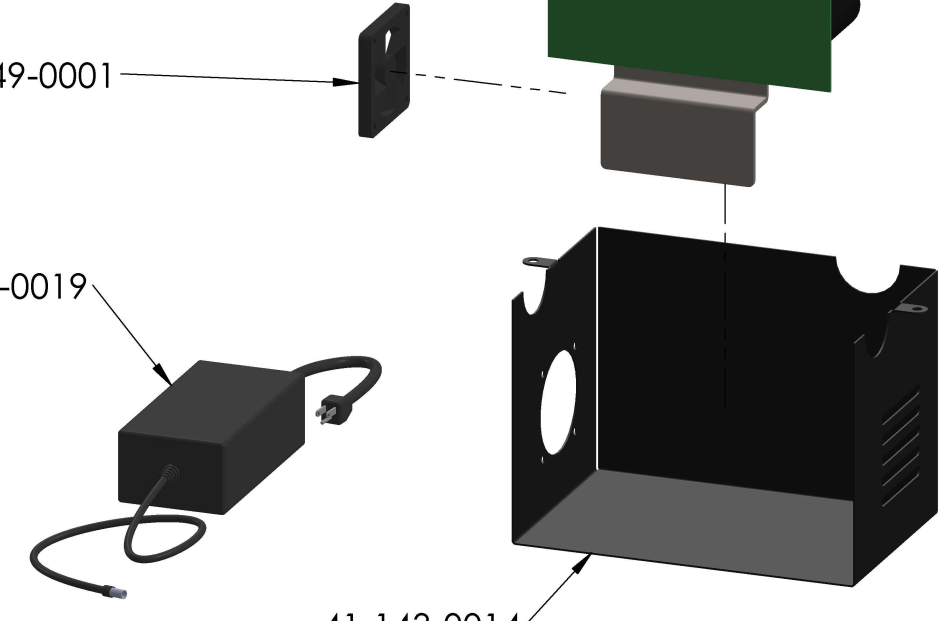
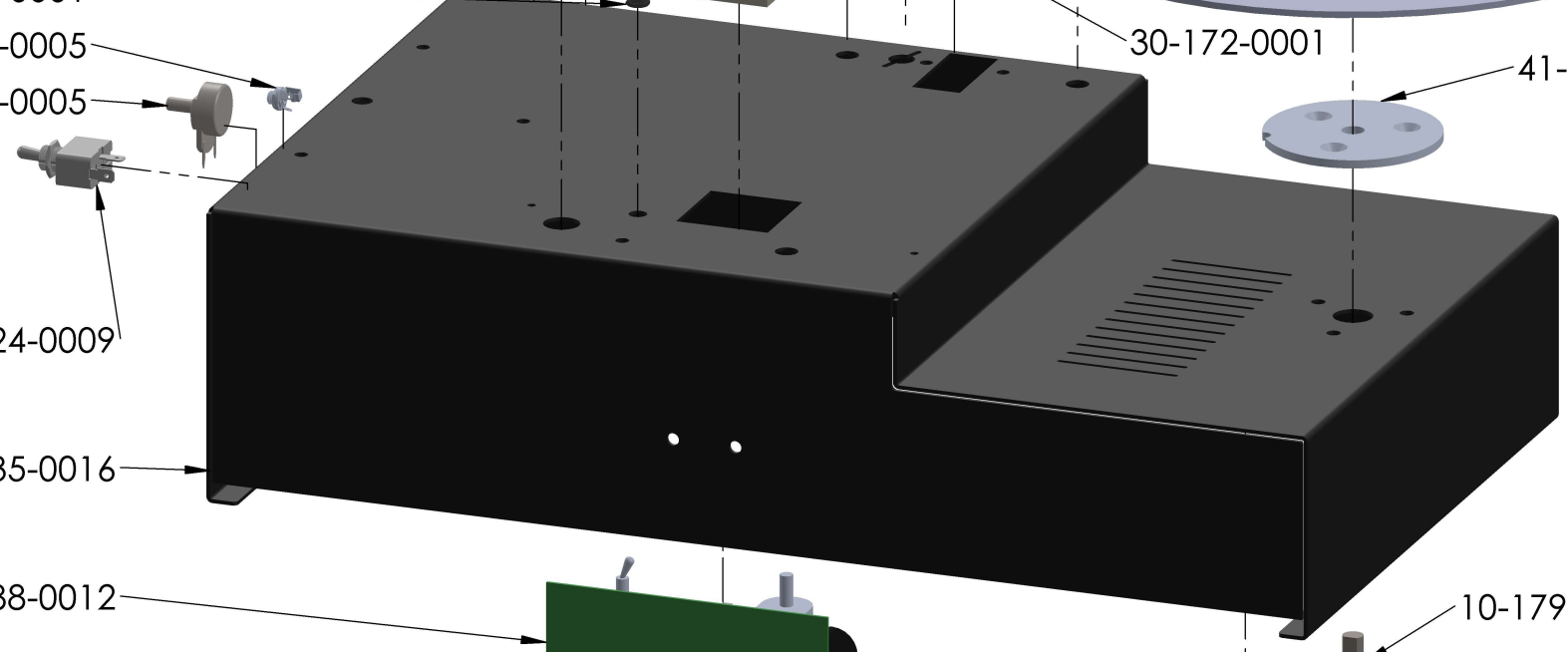
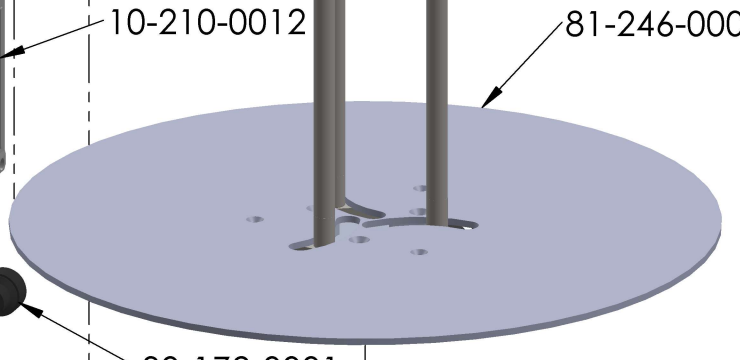
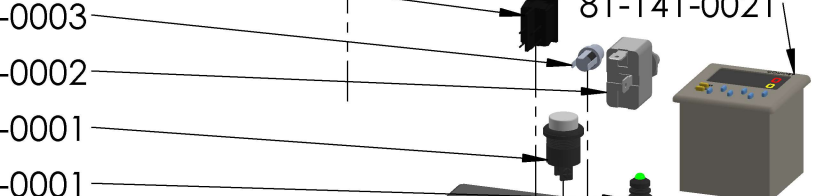
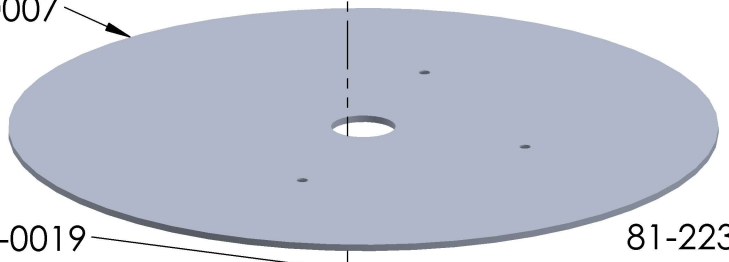
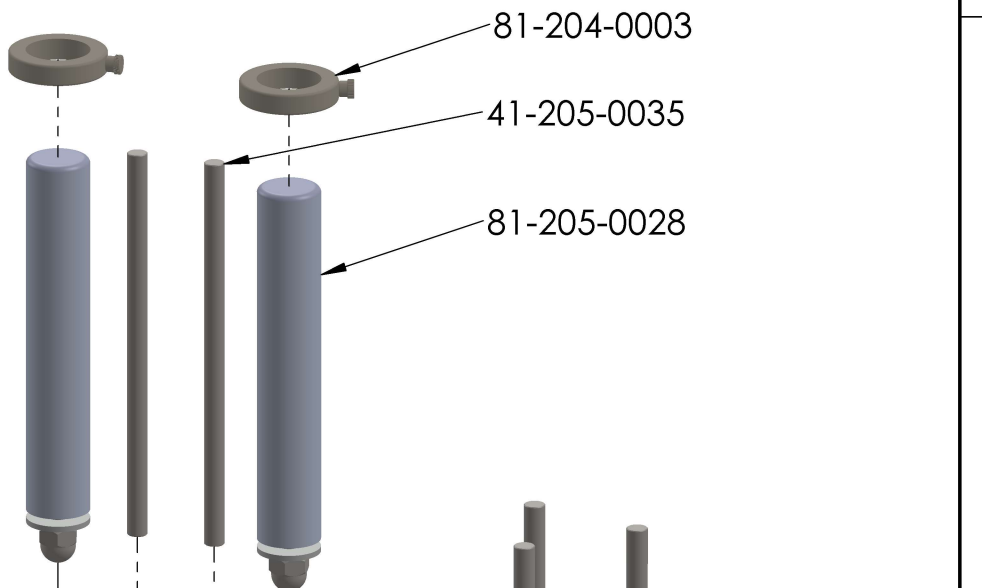
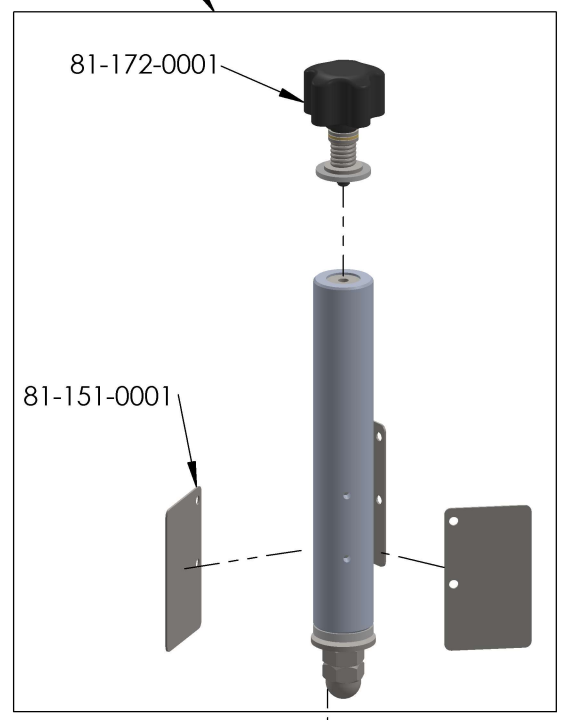
41-189-0027

10-194-0019

41-143-0014

A

A



**LABELMATE USA**

LABELMATE USA  
12A Sunset Way, Henderson NV, 89014

TITLE:  
**RRC-330-AU  
EXPLODED VIEW**

DATE: 1/1/2024	PART NO. 80-238-0006
-------------------	-------------------------

POWER SUPPLY: PS-160	MODEL
----------------------	-------

2

1

4

3

2

1

## LIST OF MATERIALS

PART NUMBER	ITEM DESCRIPTION	QTY		PART NUMBER	ITEM DESCRIPTION	QTY
10-194-0019	POWER SUPPLY, PS-160	1		81-244-0009	TSN, RR-6	1
41-135-0016	CHASSIS, RR-330AU	1		81-151-0001	FIN SET, 31MM (SET OF 3)	1
41-143-0014	COVER, RR	1		81-172-0001	UPG, TSN, RR-6	1
10-179-0008	MOTOR, RR-100	1		41-189-0007	PLATE, UNWIND, RR	1
20-224-0019	SWITCH, ON-OFF	1		81-205-0028	ROLLER KIT, RR, 6" (SET OF 2)	1
81-224-0001	BUTTON ASSY, RESET, RR	1		81-204-0003	RING, GUIDE, RR	2
81-168-0003	JACK ASSY, DC PWR, RR	1		81-246-0003	ACH, RR	1
81-273-0001	LED ASSY, RR	1		81-168-0005	JACK ASSY, EXT HALT, RR	1
81-141-0021	COUNTER ASSY, PCR-1	1		20-224-0009	SWITCH, TOG-DIR	1
81-223-0003	OPS ASSY-816	1		81-193-0005	POT ASSY, RR, 10K	1
10-210-0012	SENSOR, RRC-U	1		20-149-0001	FAN, RR	1
81-274-0002	SWITCH, OPQ-TRN, RR	1		30-172-0001	KNOB, BLACK, RRC-U	1
81-188-0012	PCB, RR	1		41-205-0035	ROD, GUIDE, ZCAT-170	2

**LABELMATE USA**

LABELMATE USA  
12A Sunset Way, Henderson NV, 89014

TITLE:

**RRC-330-AU  
EXPLODED VIEW**

DATE:

1/1/2024

PART NO.

80-238-0006

POWER SUPPLY: PS-160

PARTS LIST

4

3

2

1

**LABELMATE USA**

LABELMATE USA  
12A Sunset Way, Henderson NV, 89014

TITLE:

**RRC-330-AU  
EXPLODED VIEW**

DATE:

1/1/2024

PART NO.

80-238-0006

POWER SUPPLY: PS-160

PARTS LIST