

4

3

2

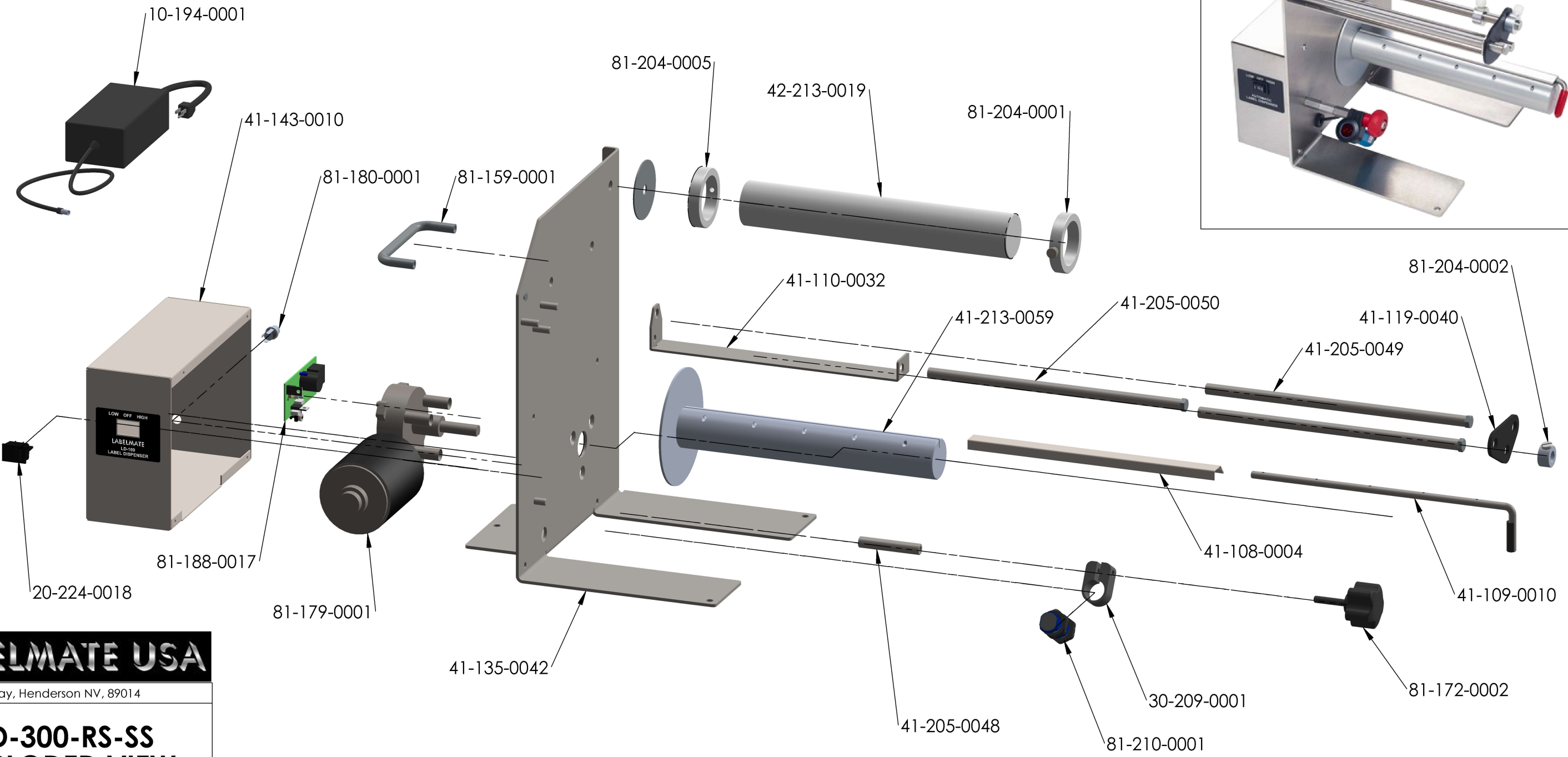
1

B

B

A

A



**LABELMATE USA**  
 12A Sunset Way, Henderson NV, 89014  
 TITLE:  
**LD-300-RS-SS**  
**EXPLODED VIEW**

DATE: 1/1/2024	PART NO. 80-147-0015
POWER SUPPLY: PS-1240-R	MODEL

4

3

2

1

4

3

2

1

LIST OF MATERIALS						
PART NUMBER	ITEM DESCRIPTION	QTY		PART NUMBER	ITEM DESCRIPTION	QTY
10-194-0001	POWER SPLY, PS-1240-R	1		81-204-0002	RING, GUIDE, LD-ALU	1
81-210-0001	SENSOR ASSY, LD-RS	1		41-119-0040	BRKT, RODS, LD-300	1
81-188-0017	PCB ASSY, LD-RS	1		41-205-0048	ROD, CPLING, LD-300	1
20-224-0018	SWITCH, ROCKER, ON/OFF/ON	1		41-205-0050	ROD, SHORT, LD-300	1
81-204-0001	RING, LD, OUT	1		41-205-0049	ROD, LONG, LD-100	2
81-179-0001	MOTOR, LD	1		44-156-0002	FOOT, LD	3
81-172-0002	KNOB ASSY, LD	1		41-110-0032	BAR, STRIP, LD-300	1
42-213-0019	SHAFT, SPLY, LD-300	1		81-159-0001	HANDLE, 3 IN CHROME	1
41-213-0059	SHAFT, TKP, LD-300	1		30-209-0001	BRACKET, SENSOR LD	1
41-108-0004	BAIL HOLDER, LD-300	1		81-180-0001	JACK, DC PWR, LD	1
41-109-0010	BAIL, LD-300	1		41-143-0010	COVER, LD-RS-SS	1
81-204-0005	RING, LD, INN	1		41-135-0042	CHASSIS, LD-300-SS	1

**LABELMATE USA**

LABELMATE USA  
12A Sunset Way, Henderson NV, 89014

TITLE:

**LD-300-RS-SS  
EXPLODED VIEW**

DATE:

1/1/2024

PART NO.

80-147-0015

POWER SUPPLY: PS-1240-R

PARTS LIST

4

3

2

1

A

A

A

A

A

A

A

A

A

A