

4

3

2

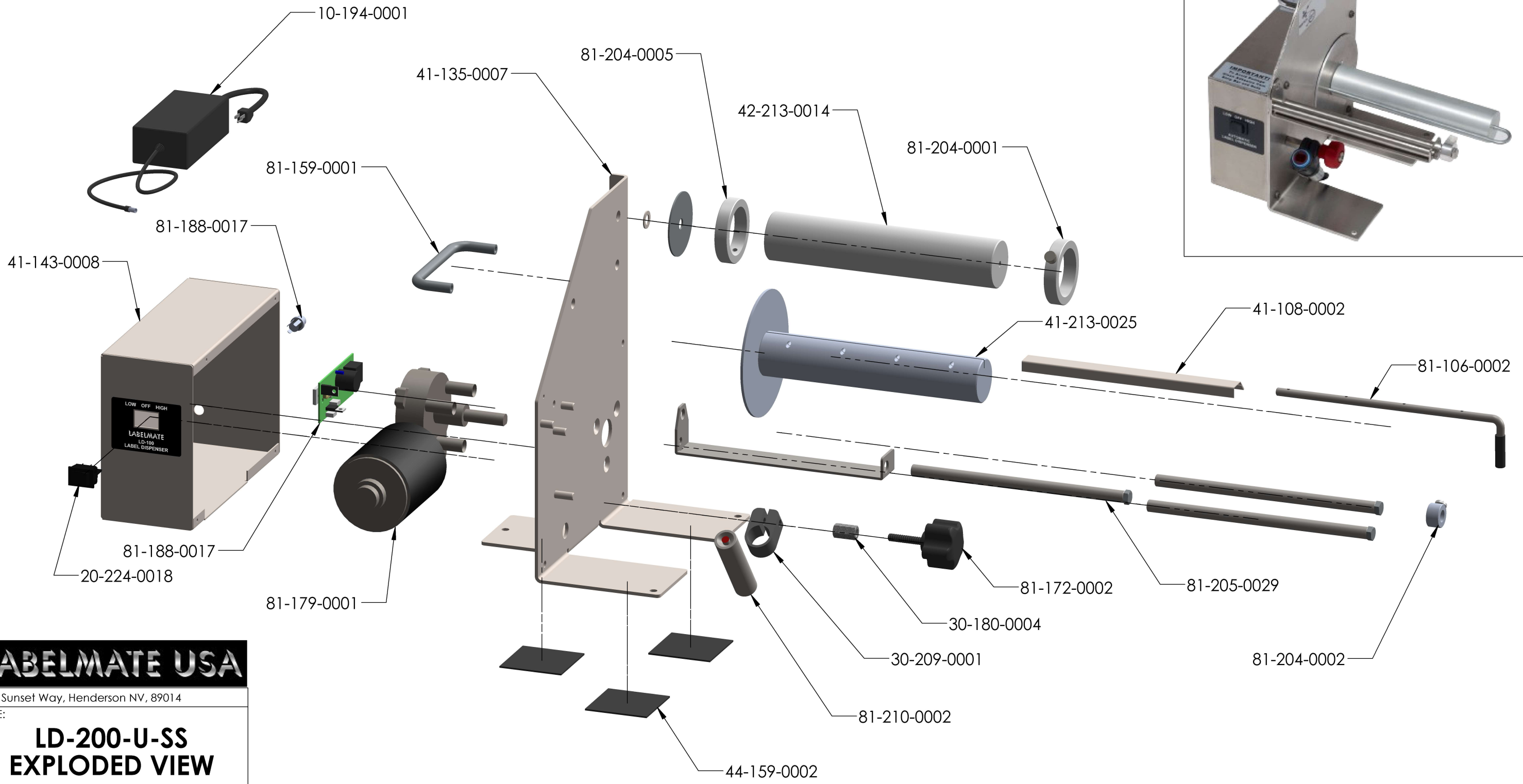
1

B

B

A

A



LABELMATE USA

12A Sunset Way, Henderson NV, 89014

TITLE:

**LD-200-U-SS
EXPLODED VIEW**

DATE: 1/1/2024	PART NO. 80-147-0009
-------------------	-------------------------

POWER SUPPLY: PS-1240-R	MODEL
-------------------------	-------

4

3

2

1

4

3

2

1

B

B

LIST OF MATERIALS

PART NUMBER	ITEM DESCRIPTION	QTY		PART NUMBER	ITEM DESCRIPTION	QTY
10-194-0001	POWER SPLY, PS-1240-R	1		81-204-0002	RING, GUIDE, LD-ALU	1
81-210-0002	SENSOR ASSY, LD-U	1		30-180-0004	NUT, COUPLING, LD	1
81-188-0017	PCB ASSY, LD-RS	1		41-205-0014	ROD, SHORT, LD-200	1
20-224-0018	SWITCH, ROCKER, ON/OFF/ON	1		41-205-0004	ROD, LONG, LD-200	2
81-204-0001	RING, LD, OUT	1		44-156-0002	FOOT, LD	3
81-179-0001	MOTOR, LD	1		41-110-0010	BAR, STRIP, LD-200	1
81-172-0002	KNOB ASSY, LD	1		81-159-0001	HANDLE, 3 IN CHROME	1
42-213-0014	SHAFT, SPLY, LD-200	1		30-209-0001	BRACKET, SENSOR LD	1
41-213-0025	SHAFT, TKP, LD-200	1		81-180-0001	JACK, DC PWR, LD	1
41-108-0002	BAIL HOLDER, LD-200	1		41-143-0010	COVER, LD-RS-SS	1
81-109-0002	BAIL, LD-200	1		41-135-0009	CHASSIS, LD-RS-SS	1
81-204-0005	RING, LD, INN	1				

A

A

LABELMATE USA

LABELMATE USA
12A Sunset Way, Henderson NV, 89014

TITLE:

**LD-200-U-SS
EXPLODED VIEW**

DATE:

1/1/2024

PART NO.:

80-147-0009

POWER SUPPLY: PS-1240-R

PARTS LIST

4

3

2

1