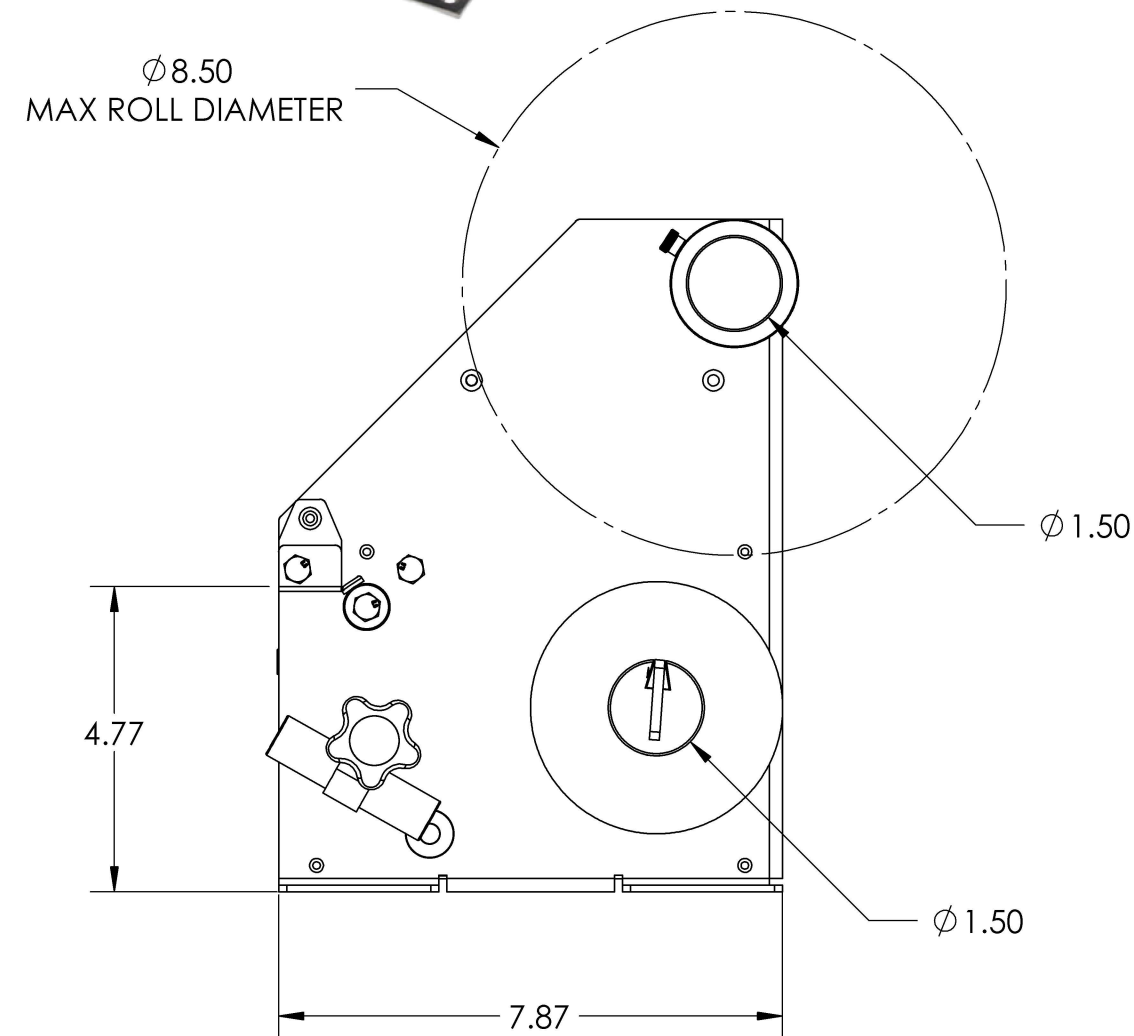
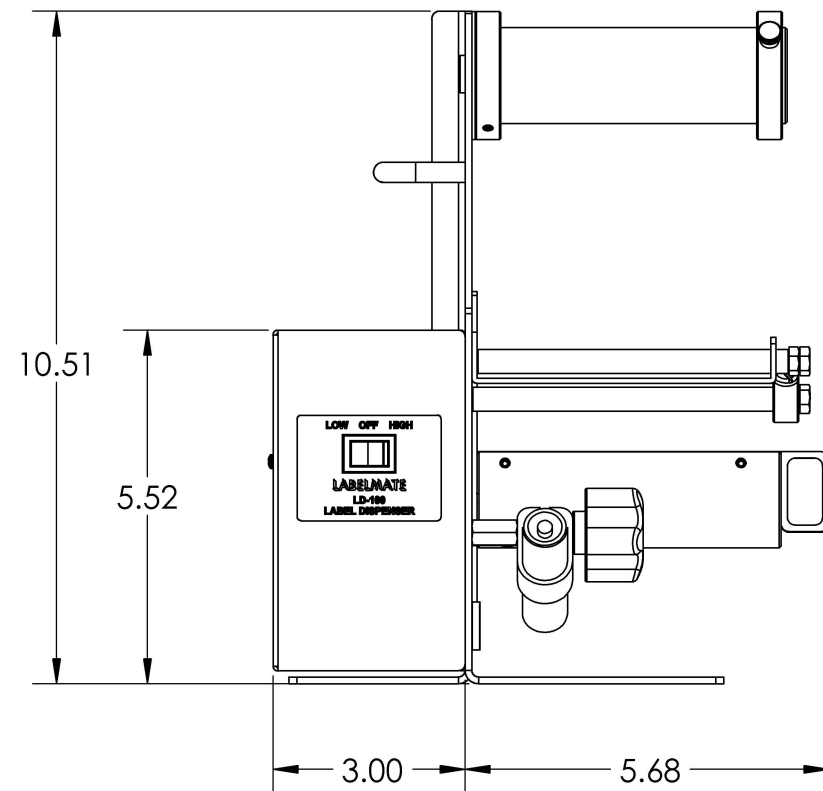


NOTES:

Automatic Stainless Steel Label Dispenser for transparent and opaque labels up to 4.5" wide.

- Label Type: Opaque & Transparent
- Max. Label Width: 4.5" (114mm)
- Max. Roll Diameter: 8.5" (220mm)
- Finish: Stainless Steel
- Warranty: 3-Year Parts & Labor Limited Warranty



ITEM ID:

LD-100-U-SS

DRAWN BY: TAH	DATE: 2/1/2023	PART NO. 80-147-0007
------------------	-------------------	-------------------------

POWER SUPPLY: PART NO. PS-1240	INPUT: 120VAC OUTPUT: 12VAC 3.3A
-----------------------------------	-------------------------------------