

4

3

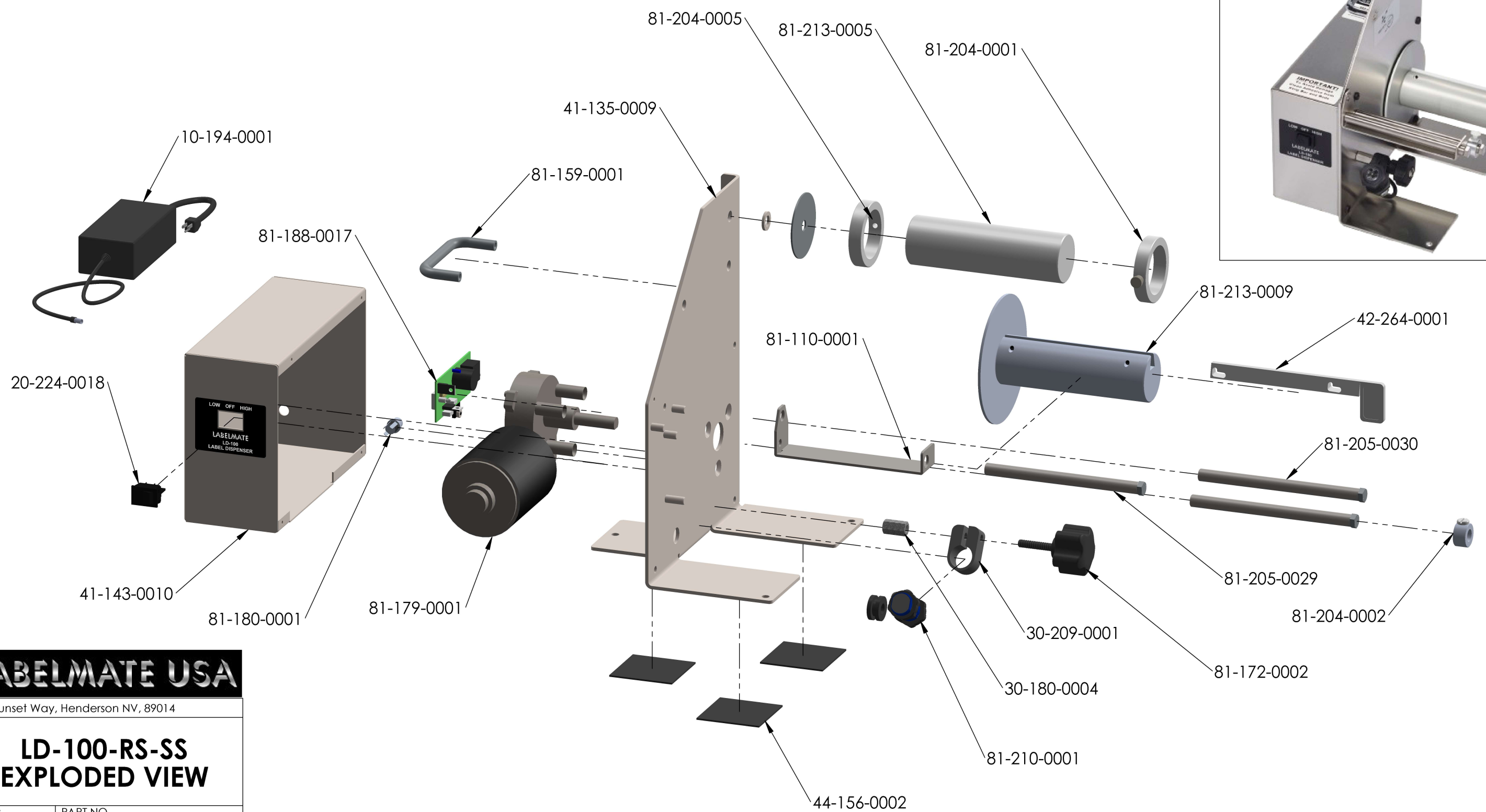
2

1



B

B



A

A

**LABELMATE USA**  
 12A Sunset Way, Henderson NV, 89014  
 TITLE:  
**LD-100-RS-SS  
 EXPLODED VIEW**  
 DATE: 1/1/2024      PART NO. 80-147-0006  
 POWER SUPPLY: PS-1240-R      MODEL

4

3

2

1

4

3

2

1

LIST OF MATERIALS						
PART NUMBER	ITEM DESCRIPTION	QTY		PART NUMBER	ITEM DESCRIPTION	QTY
10-194-0001	POWER SPLY, PS-1240-R	1		81-204-0002	RING, GUIDE, LD-ALU	1
81-210-0001	SENSOR ASSY, LD-RS	1		30-180-0004	NUT, COUPLING, LD	1
81-188-0017	PCB ASSY, LD-RS	1		81-205-0029	ROD, SHORT, LD-100	1
20-224-0018	SWITCH, ROCKER, ON/OFF/ON	1		81-205-0030	ROD, LONG, LD-100	2
81-204-0001	RING, LD, OUT	1		44-156-0002	FOOT, LD	3
81-179-0001	MOTOR, LD	1		81-110-0001	BAR, STRIP, LD-100	1
81-172-0002	KNOB ASSY, LD	1		81-159-0001	HANDLE, 3 IN CHROME	1
81-213-0005	SHAFT, SPLY, LD-100	1		30-209-0001	BRACKET, SENSOR LD	1
81-213-0009	SHAFT ASSY, TKP-100	1		81-180-0001	JACK, DC PWR, LD	1
42-264-0001	KEY, TKP-100	1		41-143-0010	COVER, LD-RS-SS	1
81-204-0005	RING, LD, INN	1		41-135-0009	CHASSIS, LD-RS-SS	1

**LABELMATE USA**

LABELMATE USA  
12A Sunset Way, Henderson NV, 89014

TITLE:

**LD-100-RS-SS  
EXPLODED VIEW**

DATE:

1/1/2024

PART NO.

80-147-0006

POWER SUPPLY: PS-1240-R

PARTS LIST

4

3

2

1

A

A

A

A

A

A

A

A

A

A