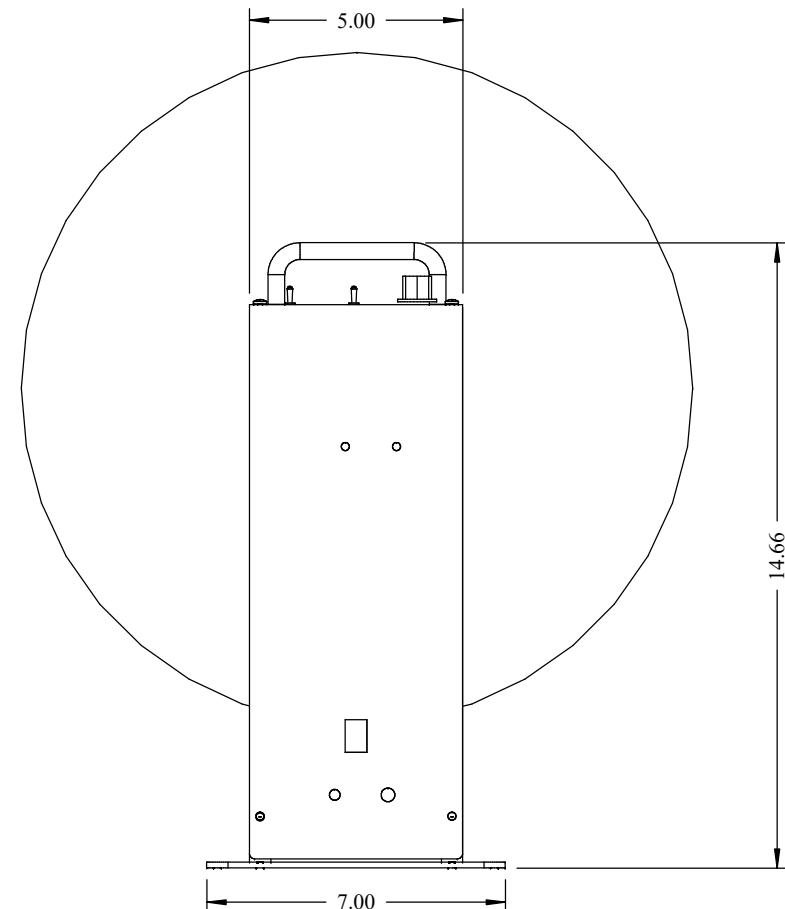
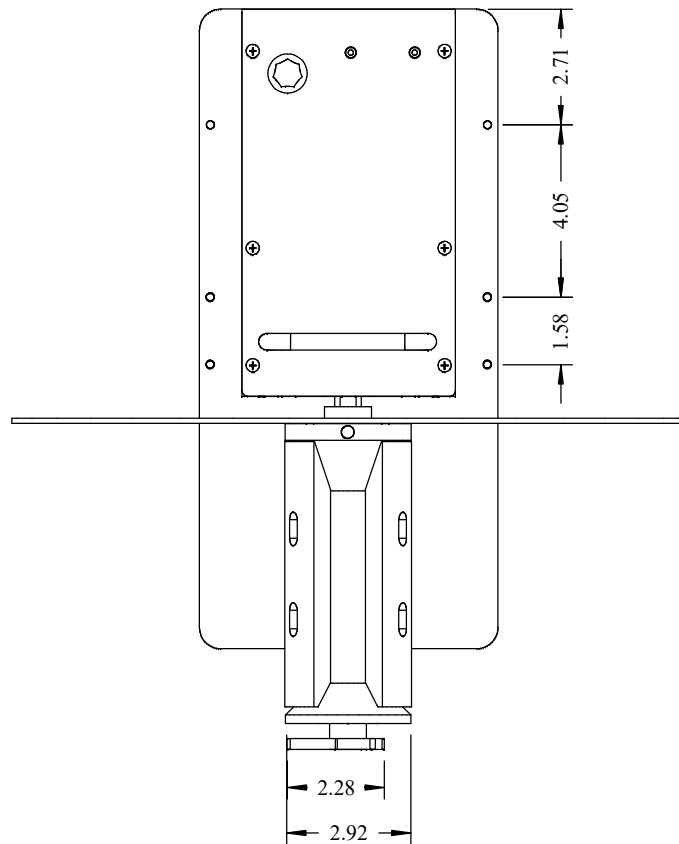
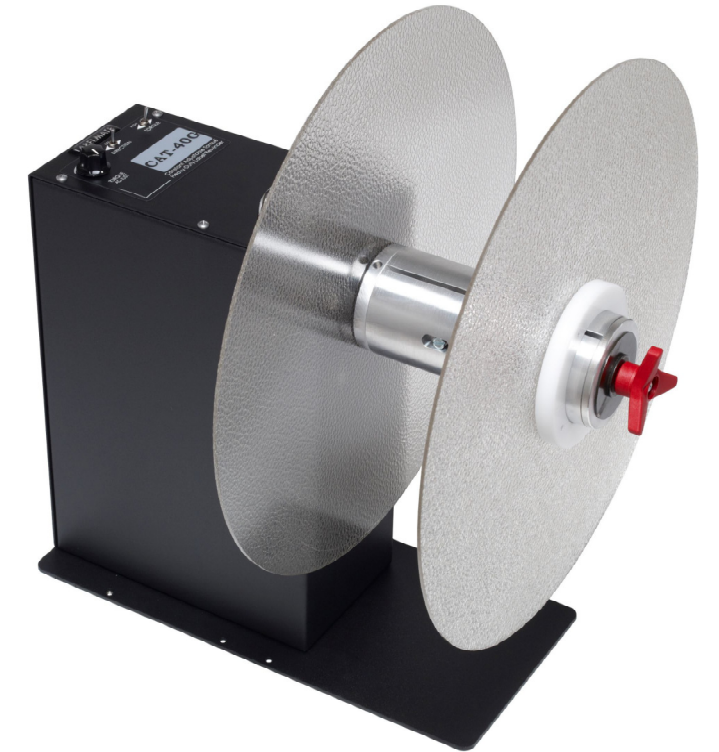
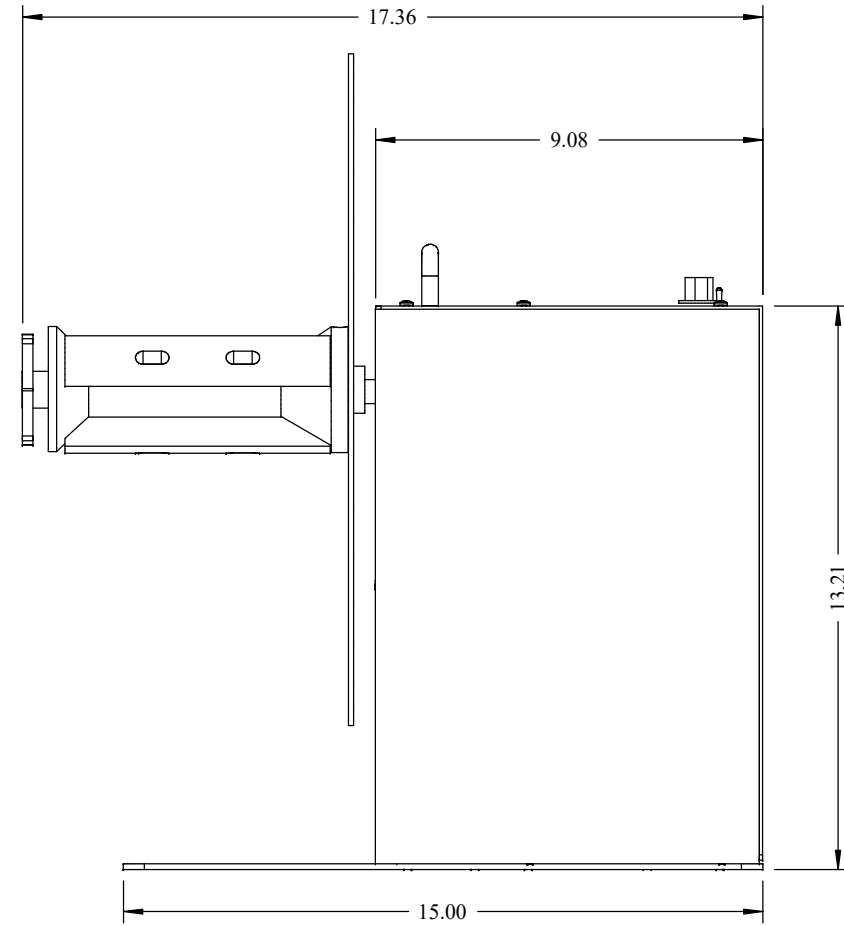
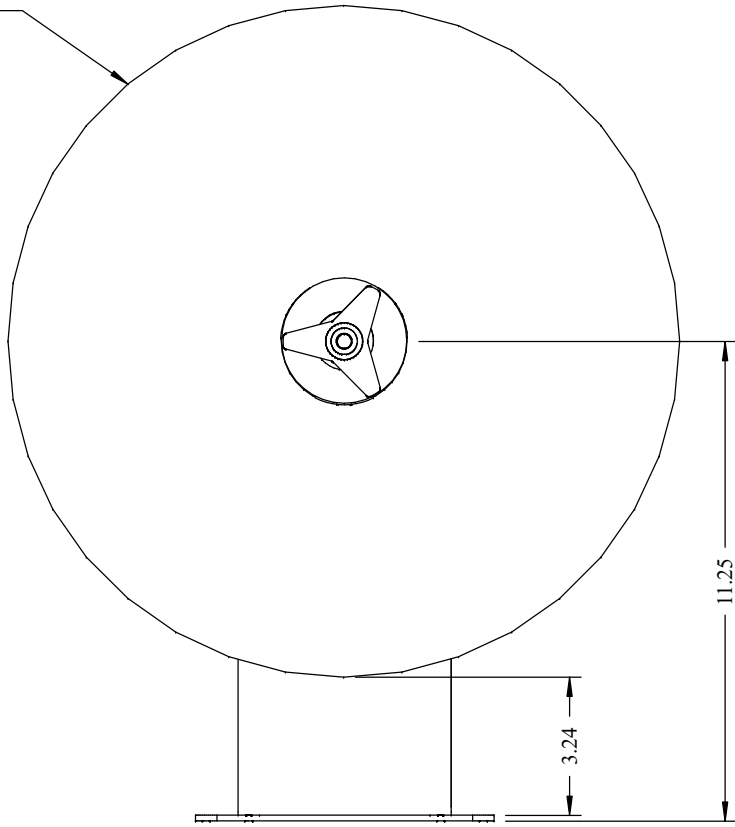


15.75 Dia.



LABELMATE USA 12A Sunset Way, Henderson NV, 89014			
TITLE CAT40G			
DATE 10/5/20	PART NO. 80-203-0037	REV A	
POWER SUPPLY PS-65	SHEET 1 OF 1		