

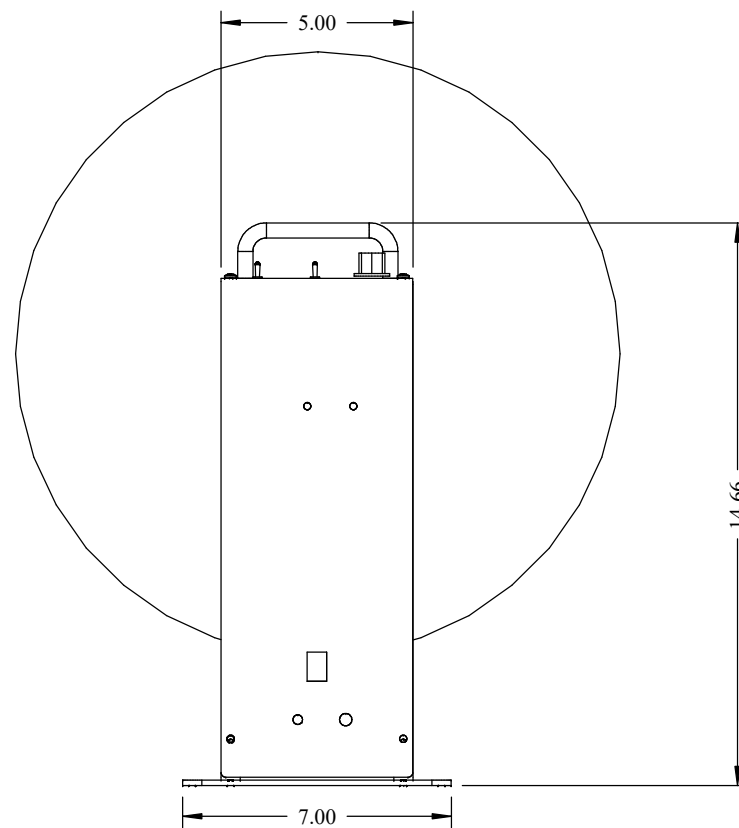
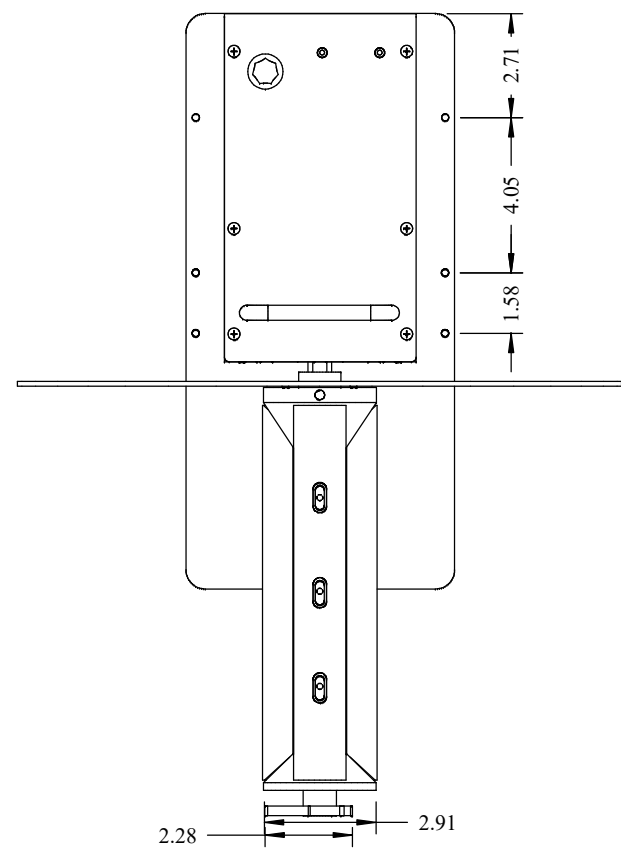
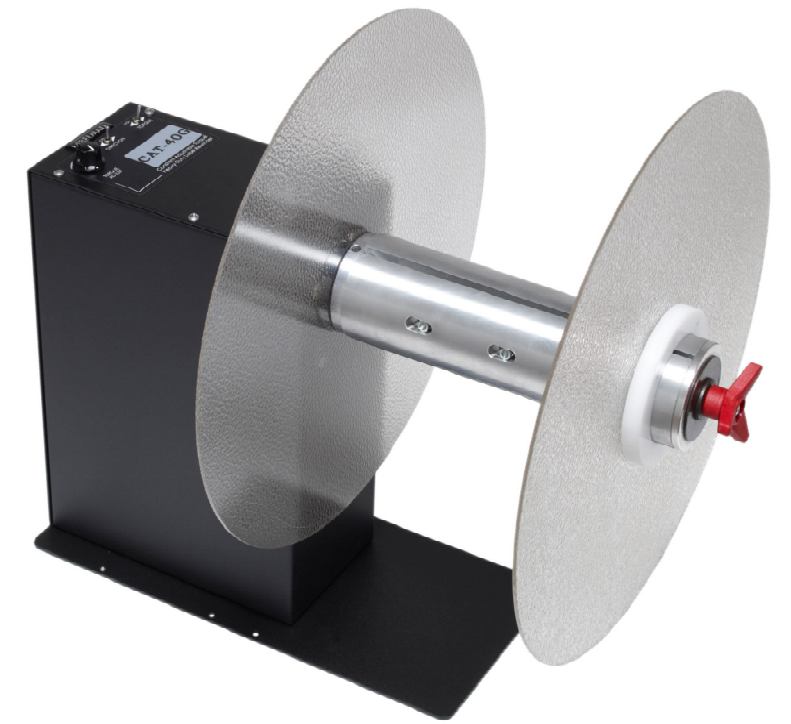
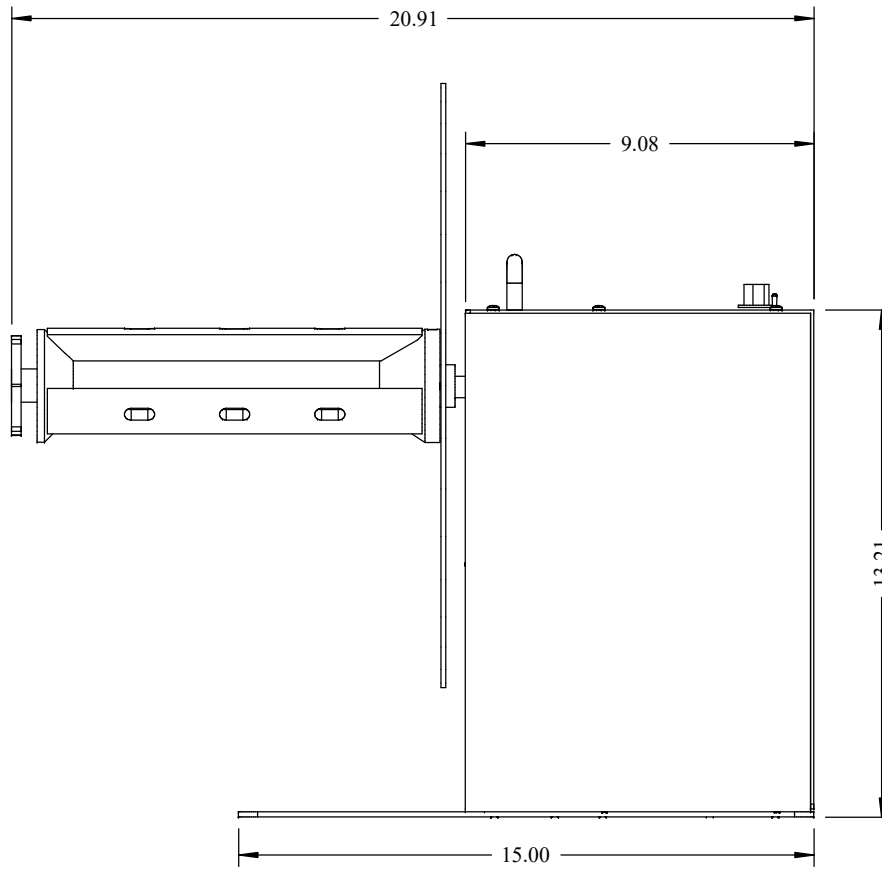
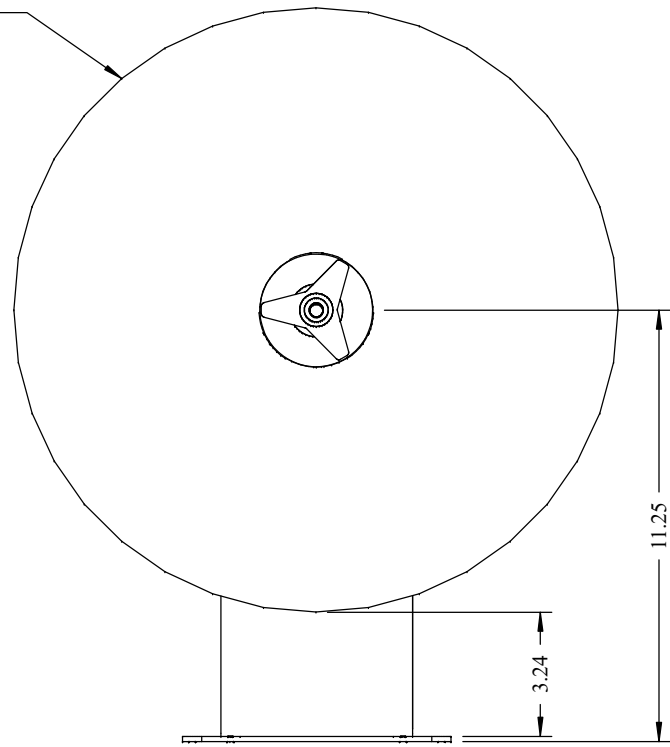
4

3

2

1

15.75 Dia.



LABELMATE USA 12A Sunset Way, Henderson NV, 89014		
TITLE CAT40G-10		
DATE 10/5/20	PART NO. 80-203-0038	REV A
POWER SUPPLY PS-65	SHEET 1 OF 1	

4

3

2

1