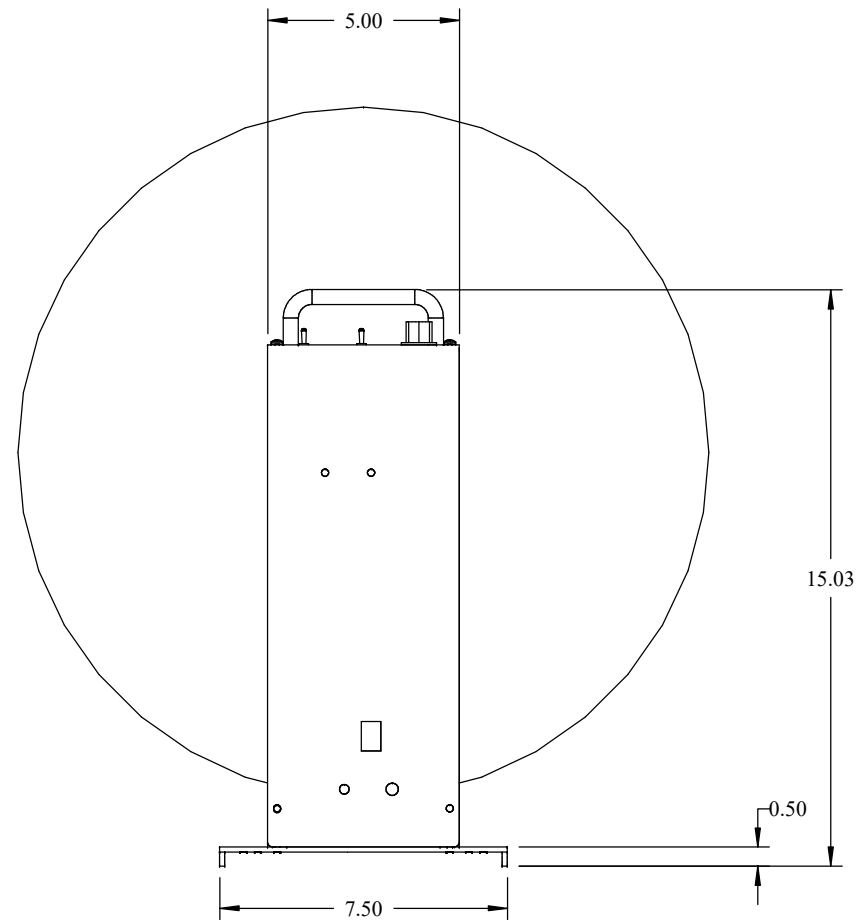
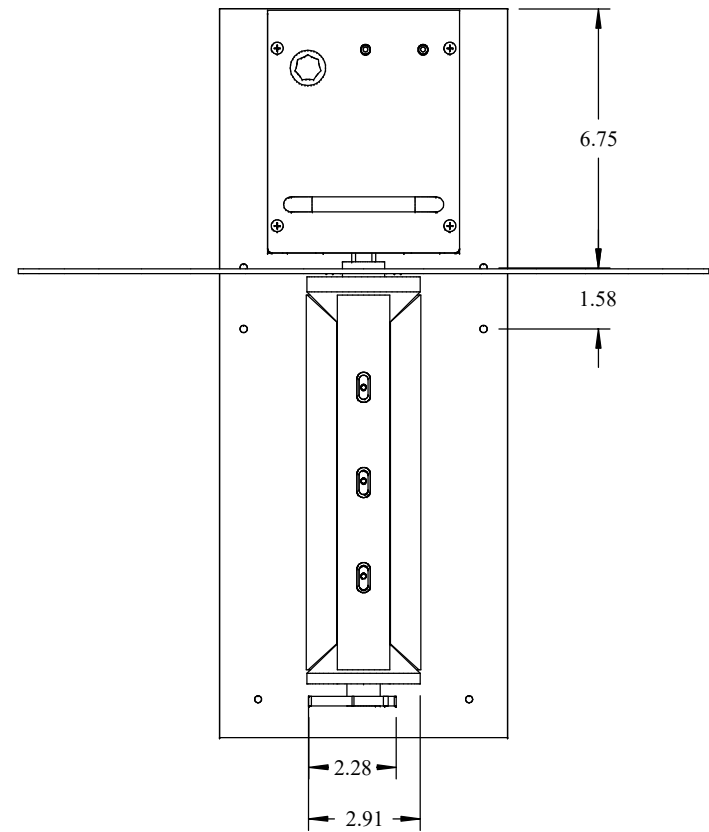
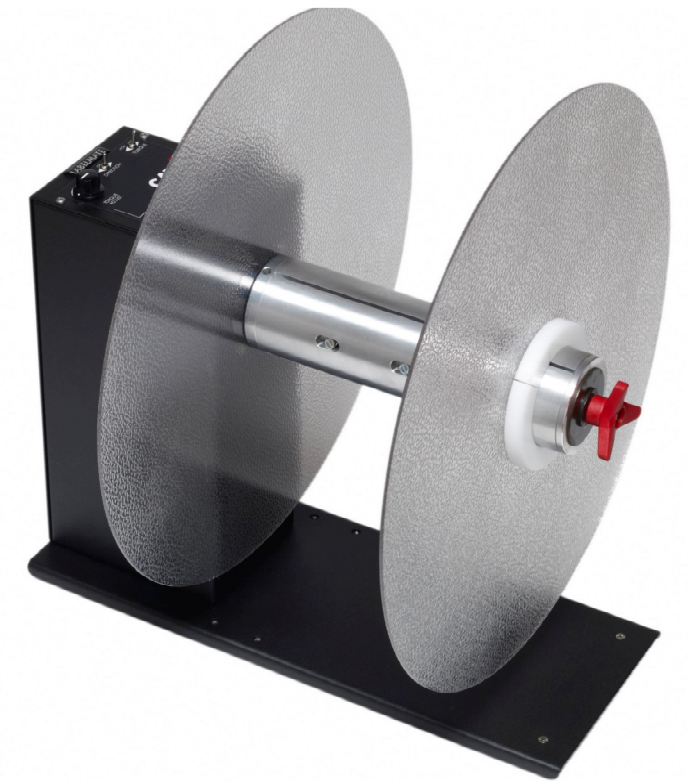
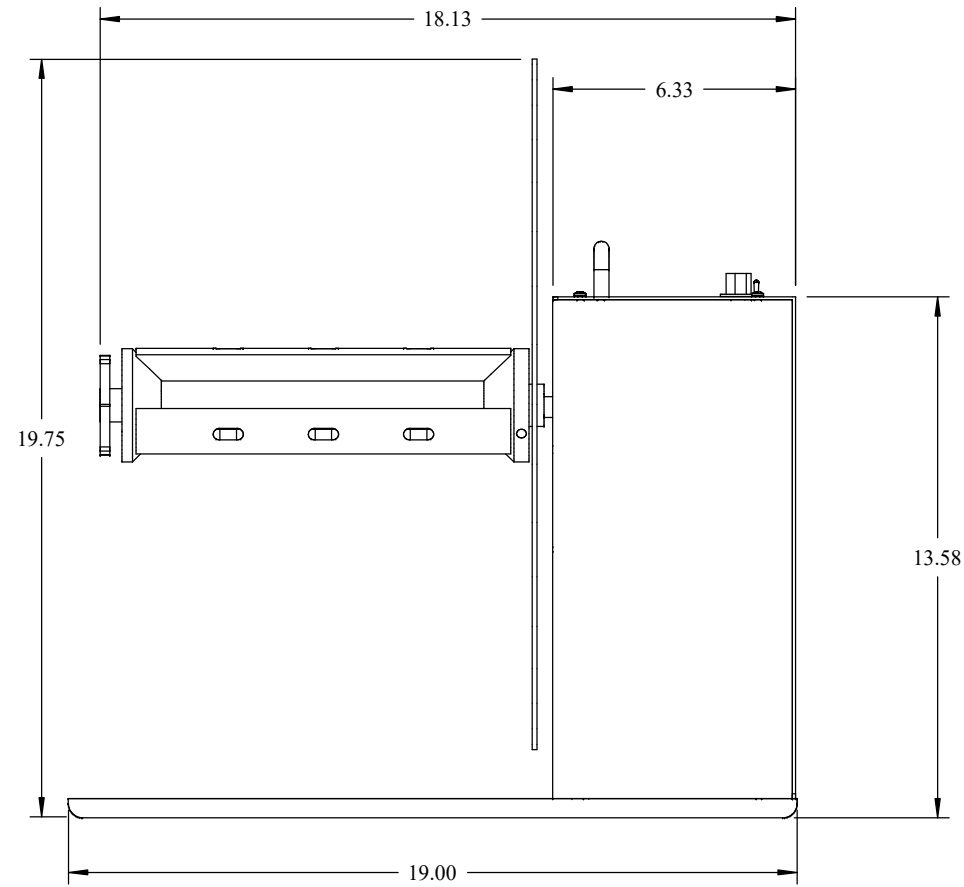
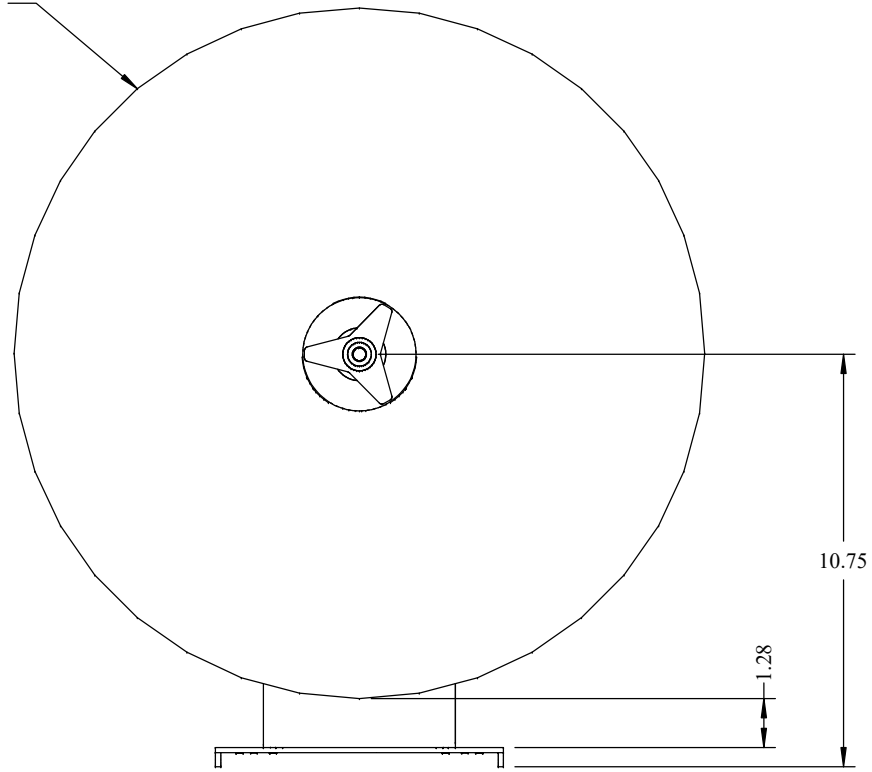


DIA. 18.0



LABELMATE USA
12A Sunset Way, Henderson NV, 89014

TITLE

CAT-3-R18-CHUCK-10

DATE 7/21/20

PART NO. 80-203-0024

REV A

POWER ADAPTOR PS-65

SHEET 1 OF 1