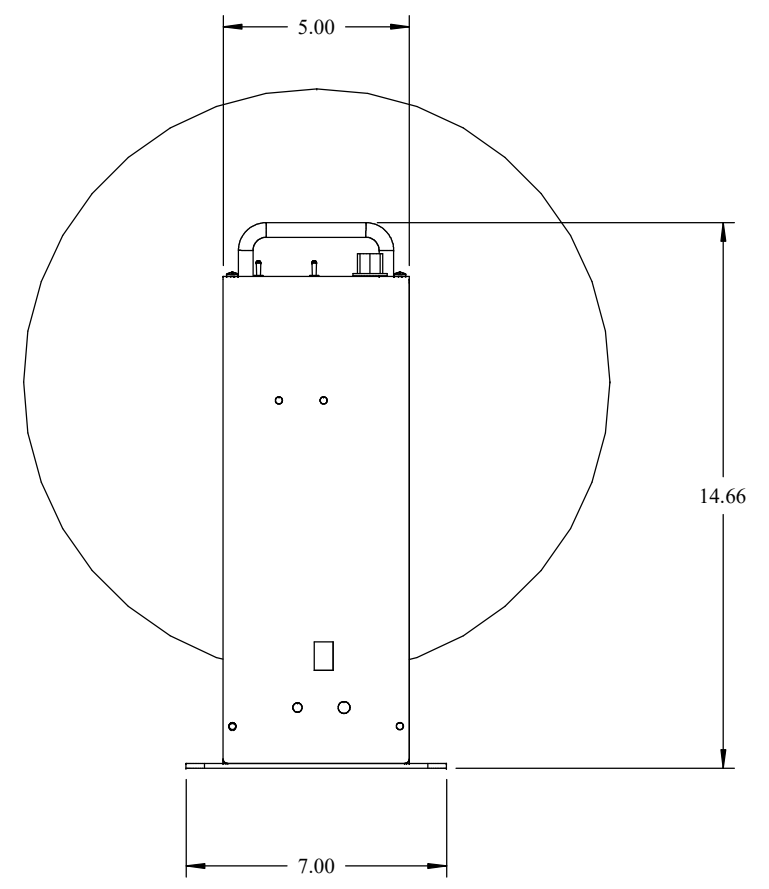
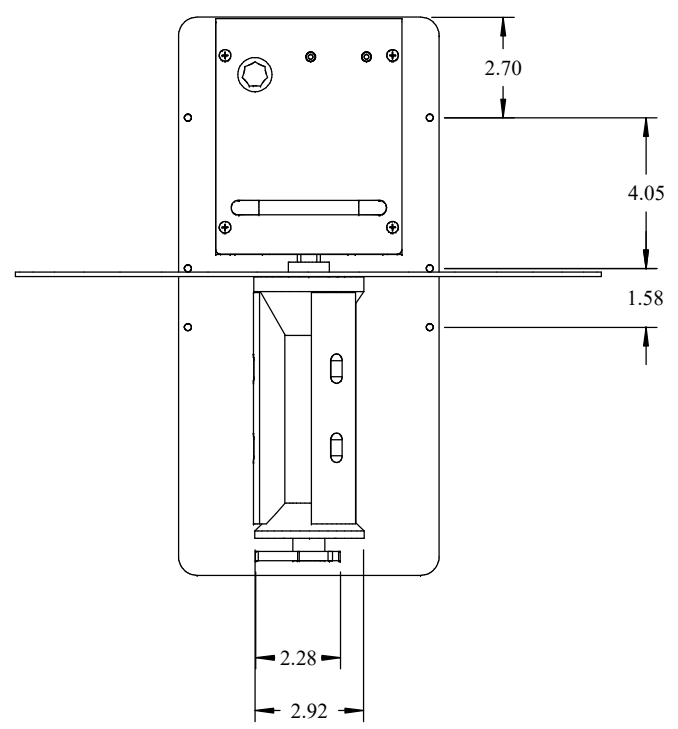
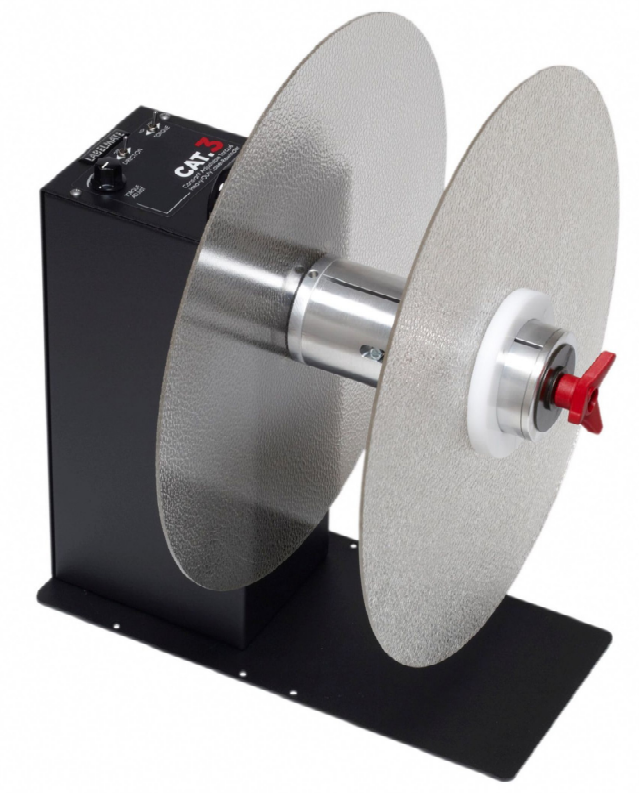
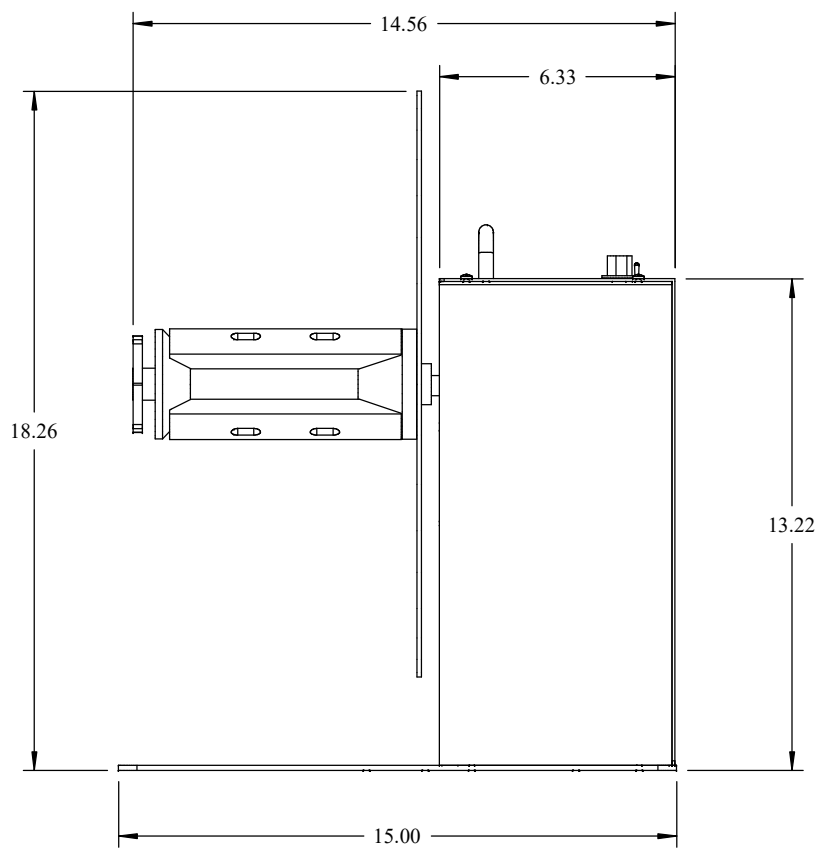
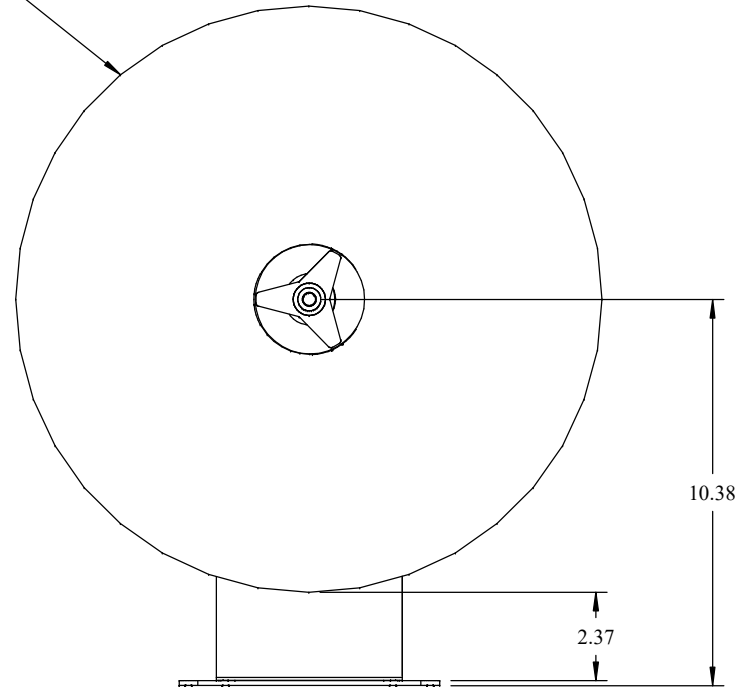


Dia. 15.75



LABELMATE USA 12A Sunset Way, Henderson NV, 89014		
TITLE <b>CAT3-R16-CHUCK</b>		
DATE 7/16/20	PART NO. 80-203-0020	REV A
POWER ADAPTOR: PS-65	SHEET 1 OF 1	