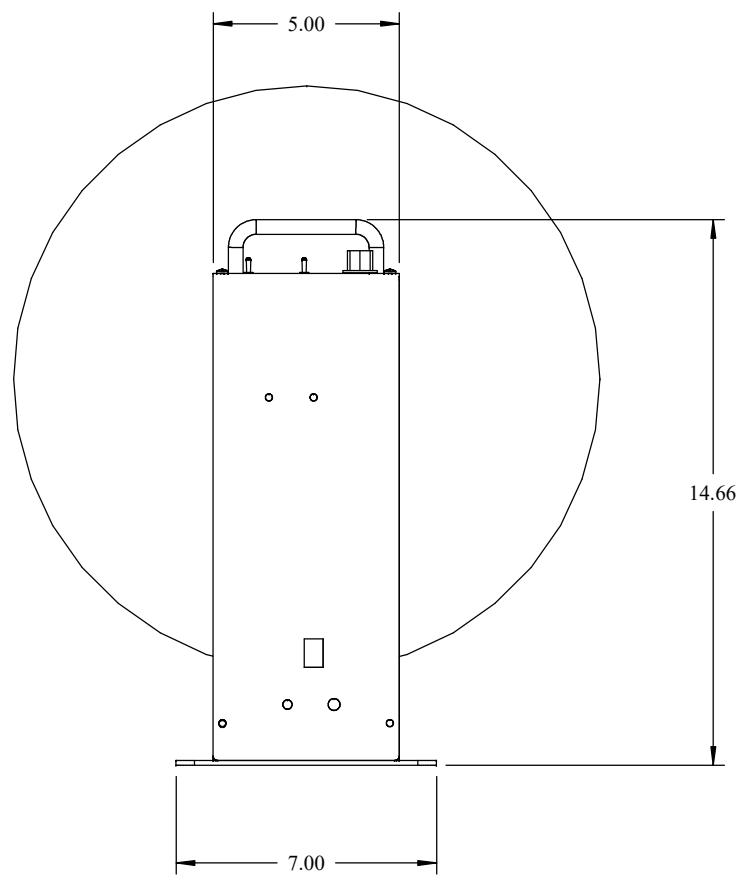
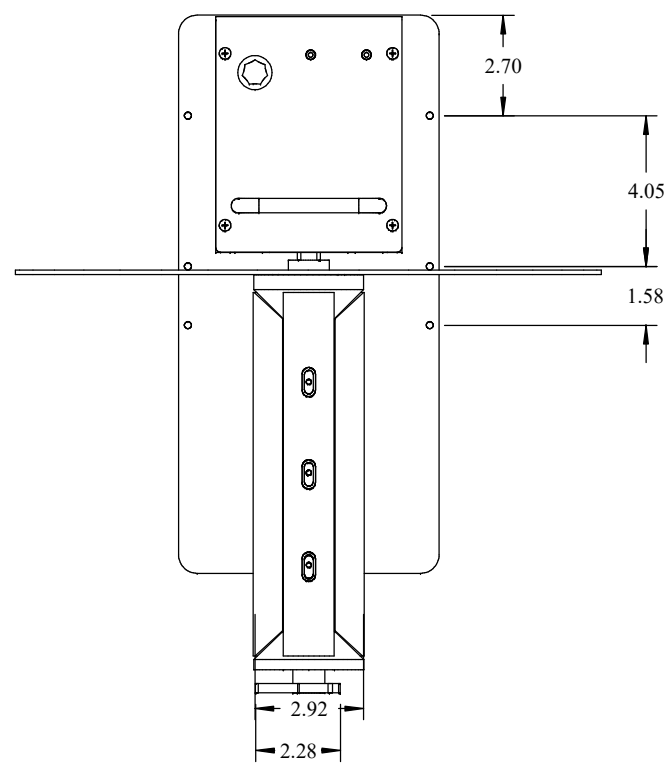
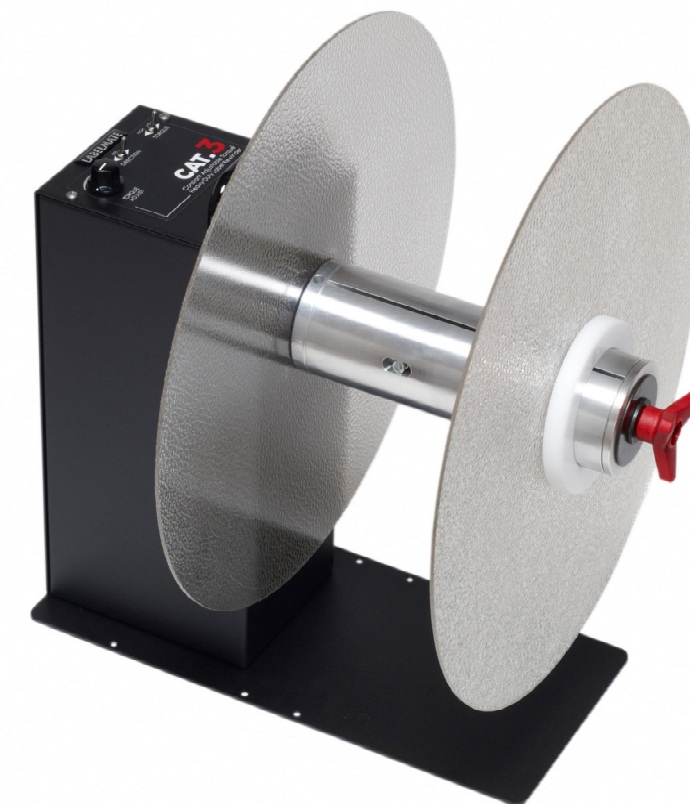
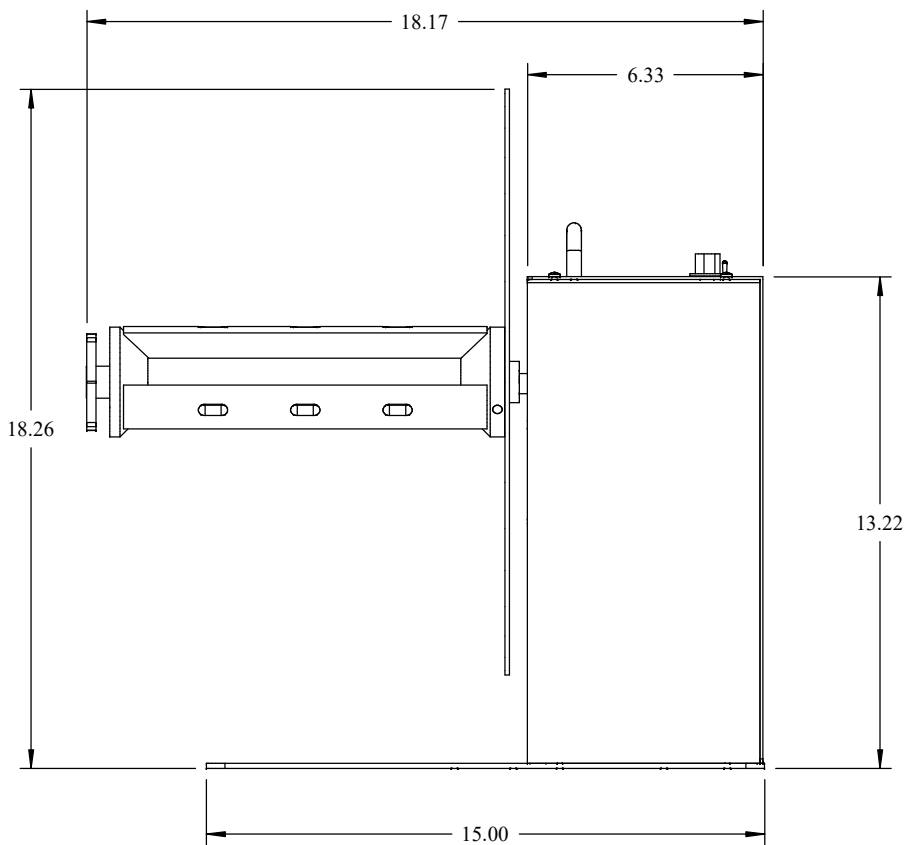
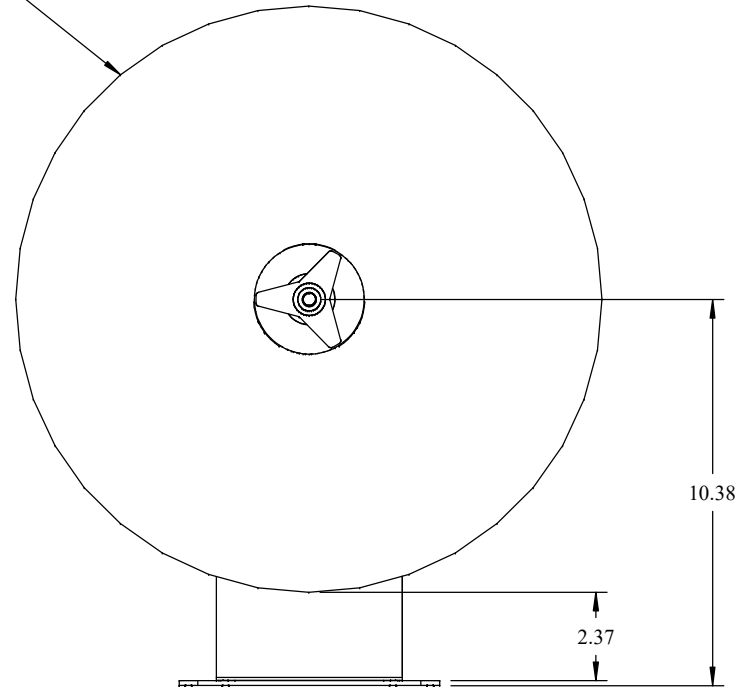


Dia. 15.75



LABELMATE USA 12A Sunset Way, Henderson NV, 89014		
TITLE CAT3-R16-CHUCK-10		
DATE 10/6/20	PART NO. 80-203-0024	REV A
POWER ADAPTOR: PS-65	SHEET 1 OF 1	