

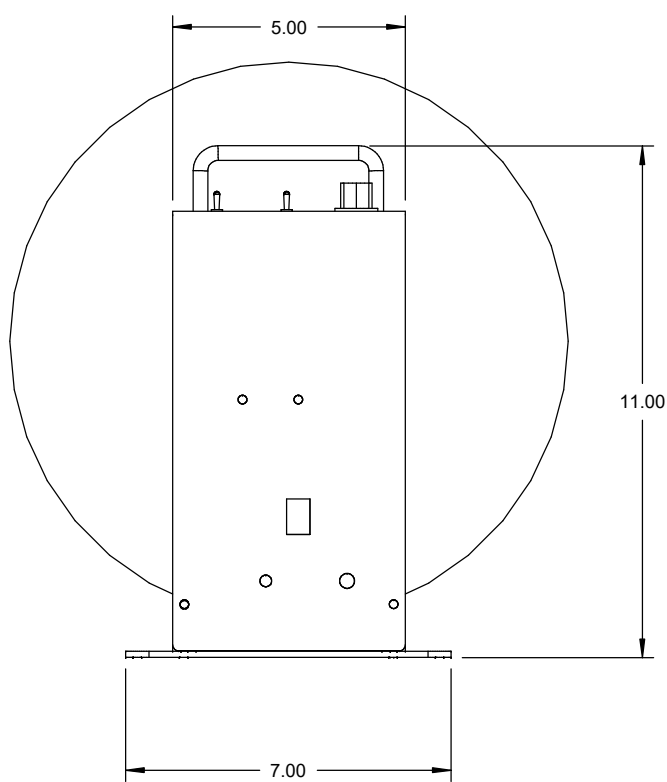
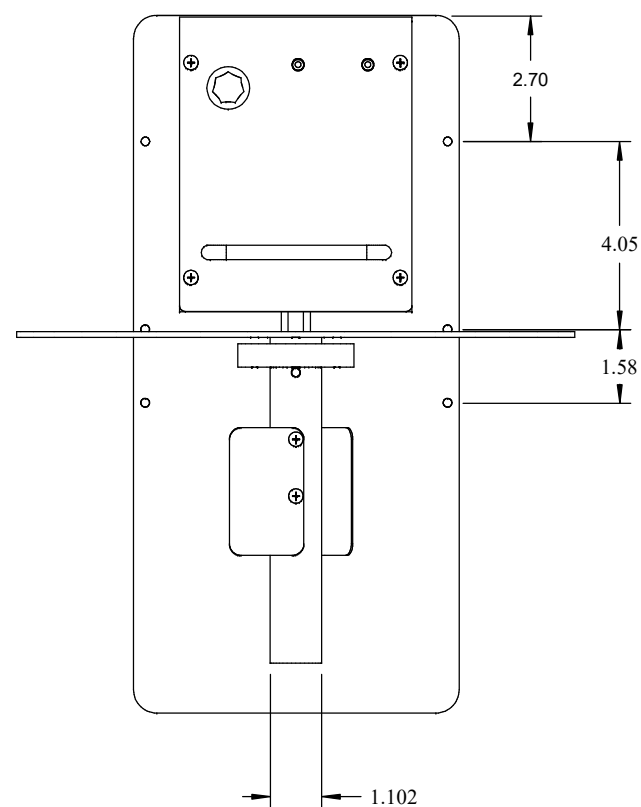
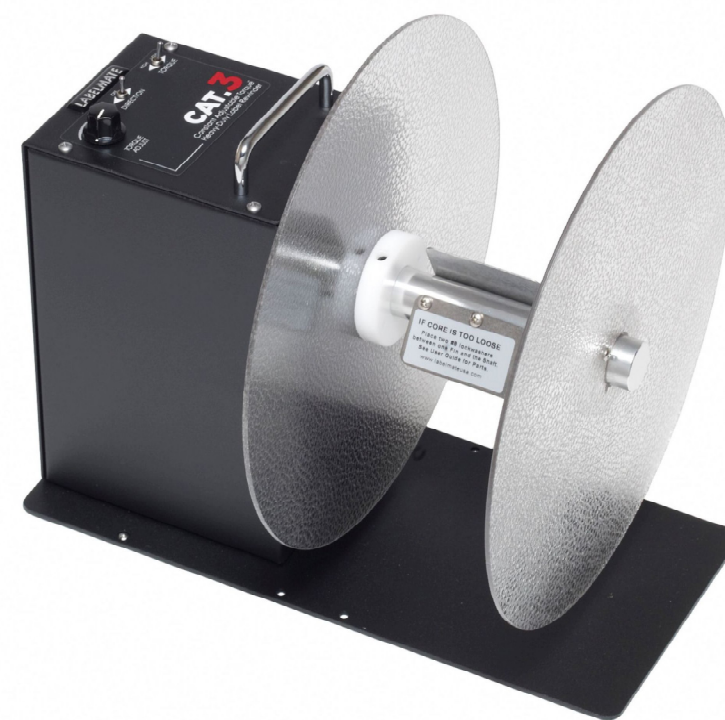
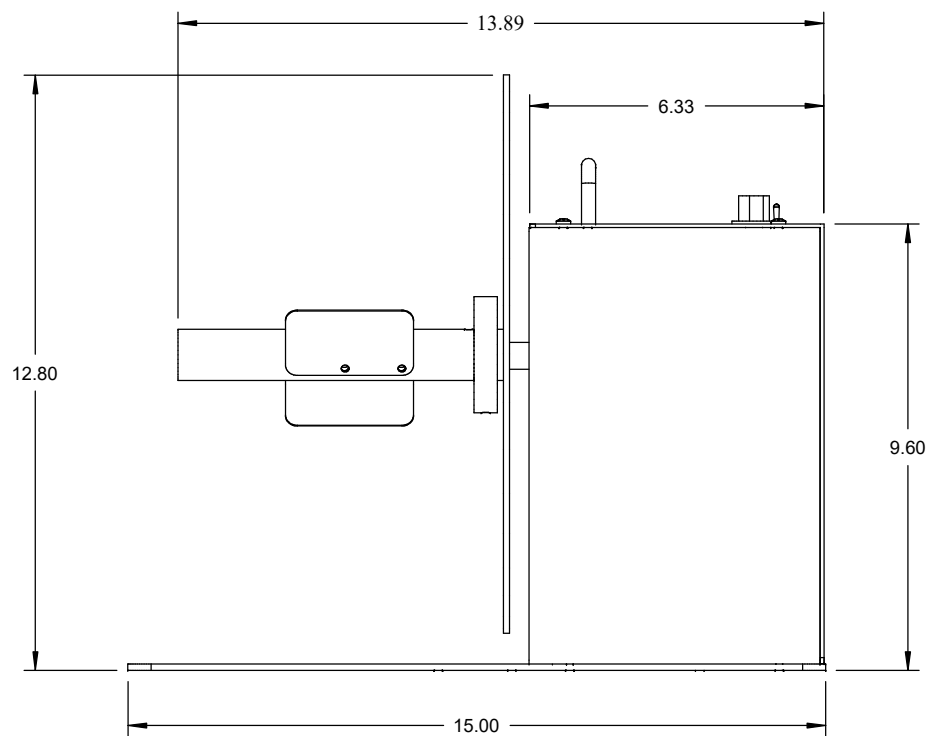
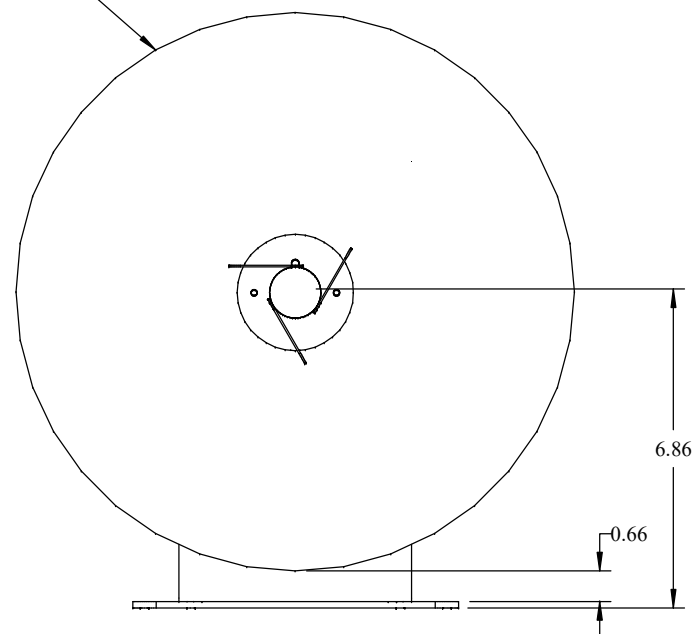
4

3

2

1

Dia. 12.00



LABELMATE USA 12A Sunset Way, Henderson NV, 89014		
TITLE <b>CAT3-STANDARD</b>		
DATE 6/5/20	PART NO. <b>80-203-0035</b>	REV <b>A</b>
POWER ADAPTOR: PS-1240-R	SHEET 1 OF 1	

4

3

2

1