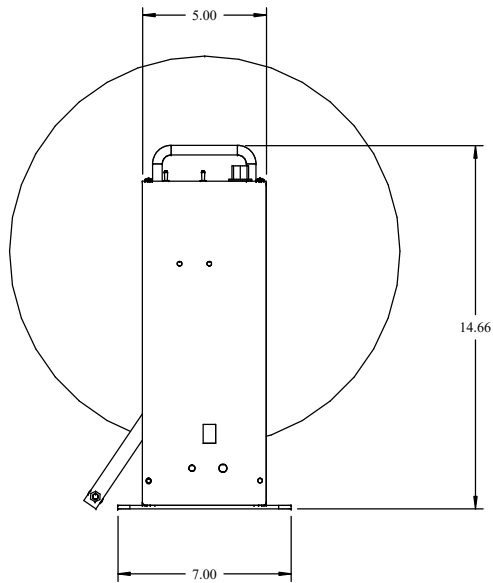
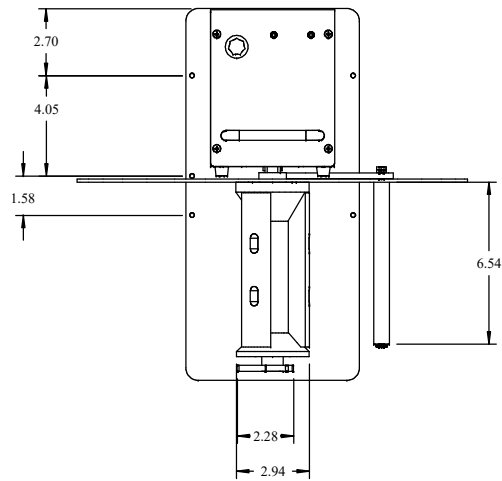
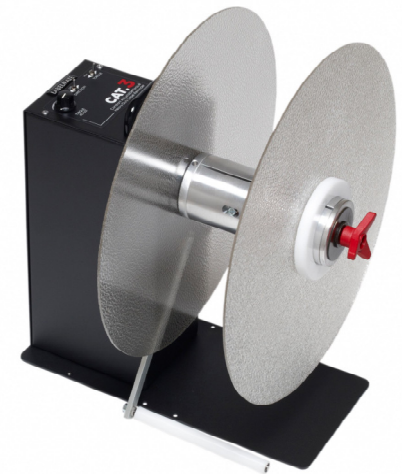
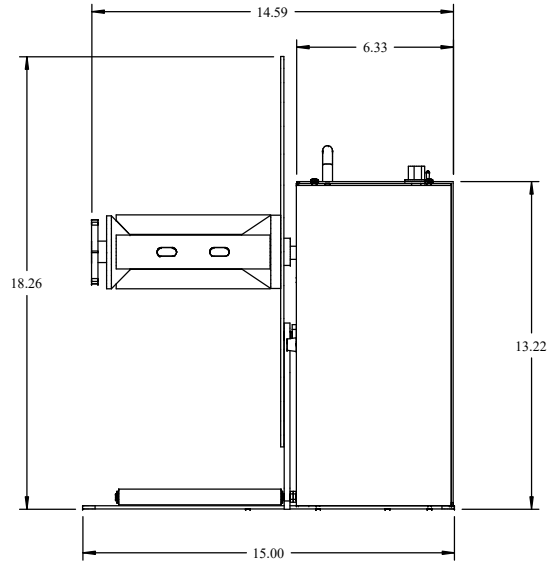
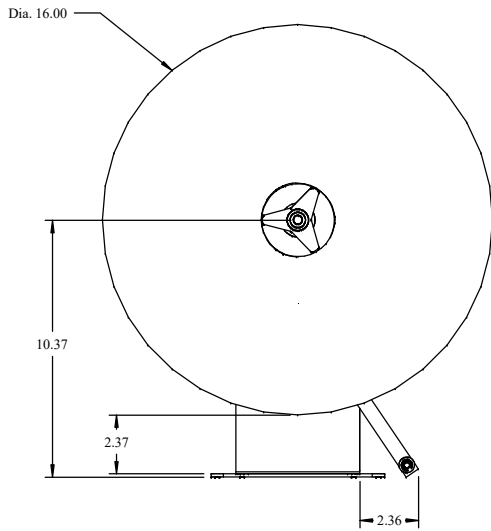


4

3

2

1



LABELMATE USA 12A Sunset Way, Henderson NV, 89014		
TITLE CAT3-SA-R16-CHUCK		
DATE 7/16/20	PART NO. 80-208-0032	REV A
POWER ADAPTOR: PS-65	SHEET 1 OF 1	

4

3

2

1