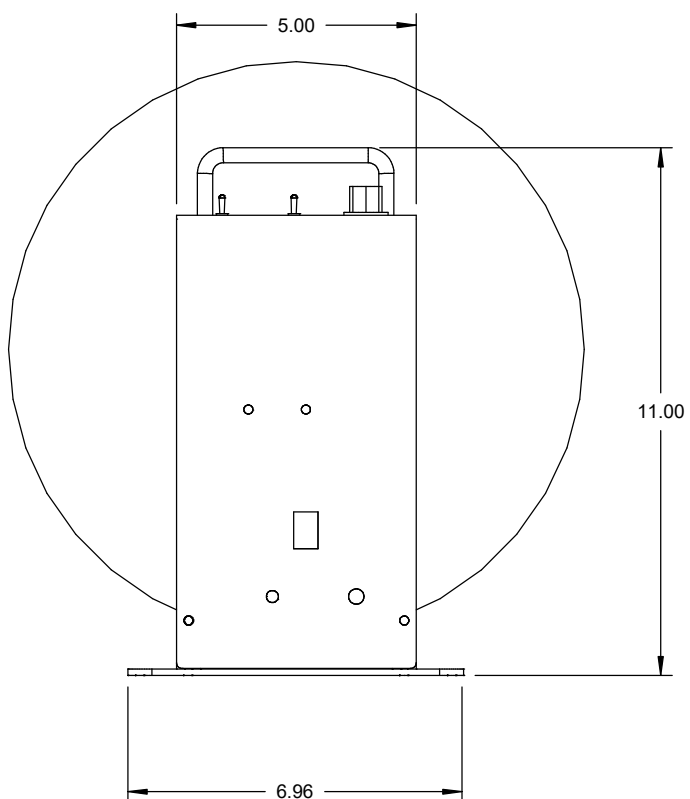
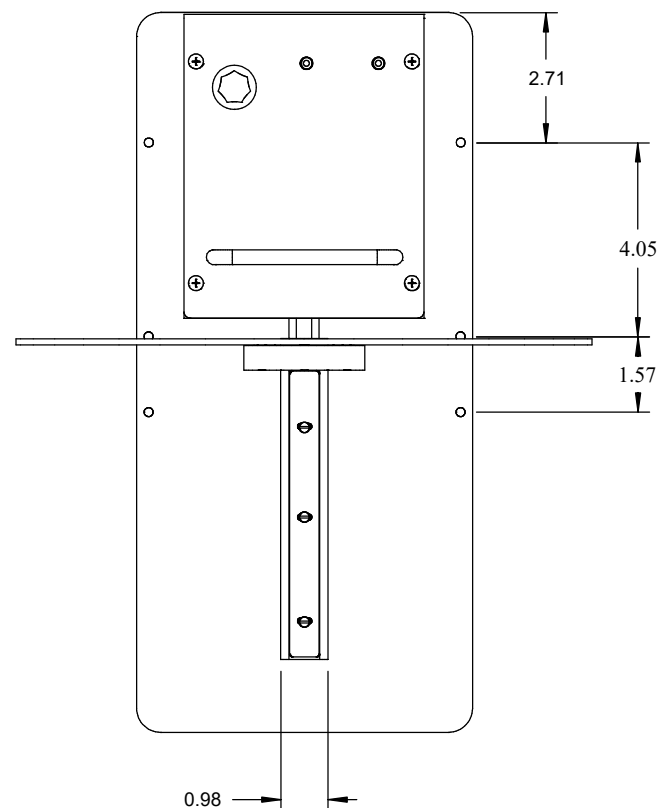
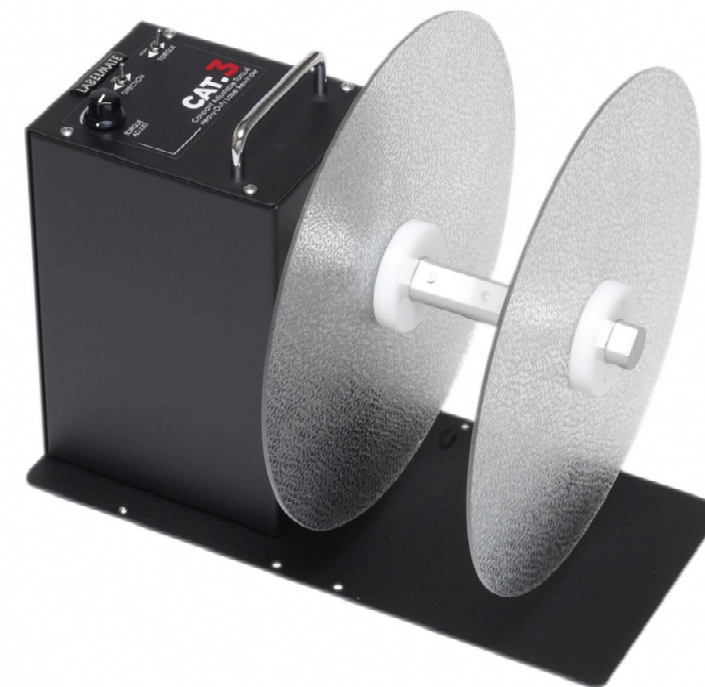
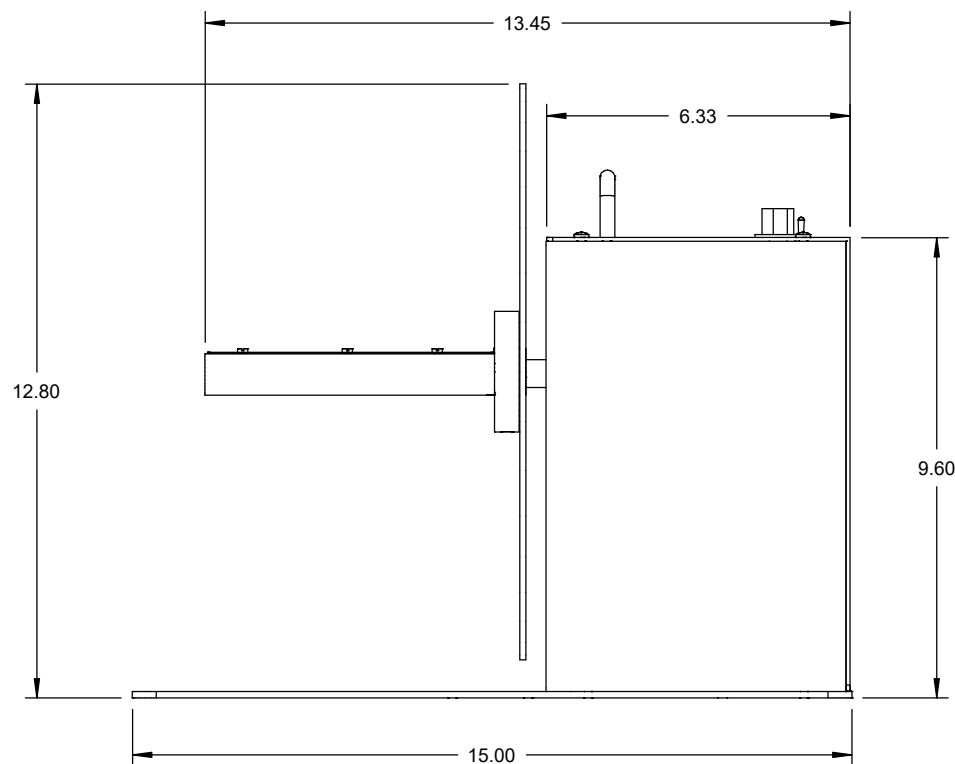
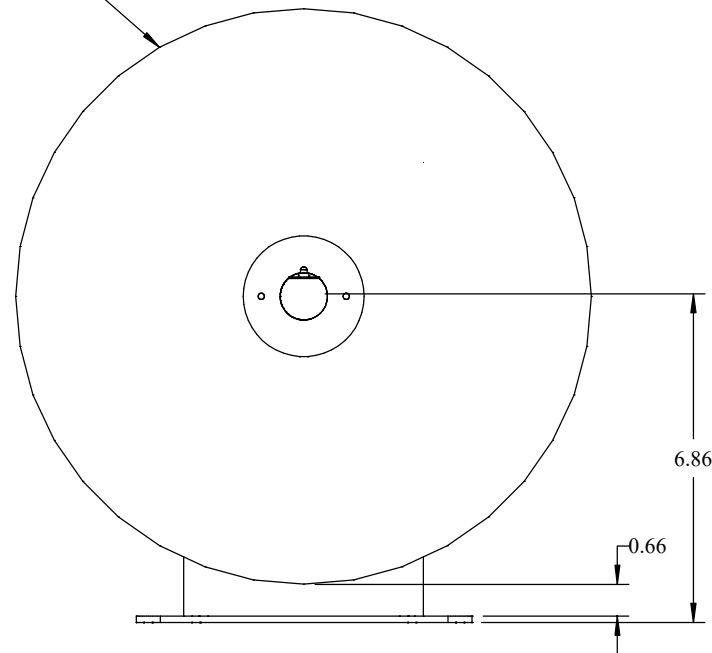


Dia. 12.00



LABELMATE USA 12A Sunset Way, Henderson NV, 89014		
TITLE <b>CAT3-1-INCH</b>		
DATE 6/5/20	PART NO. <b>80-203-0004</b>	REV <b>A</b>
POWER ADAPTOR: PS-1240-R		SHEET 1 OF 1