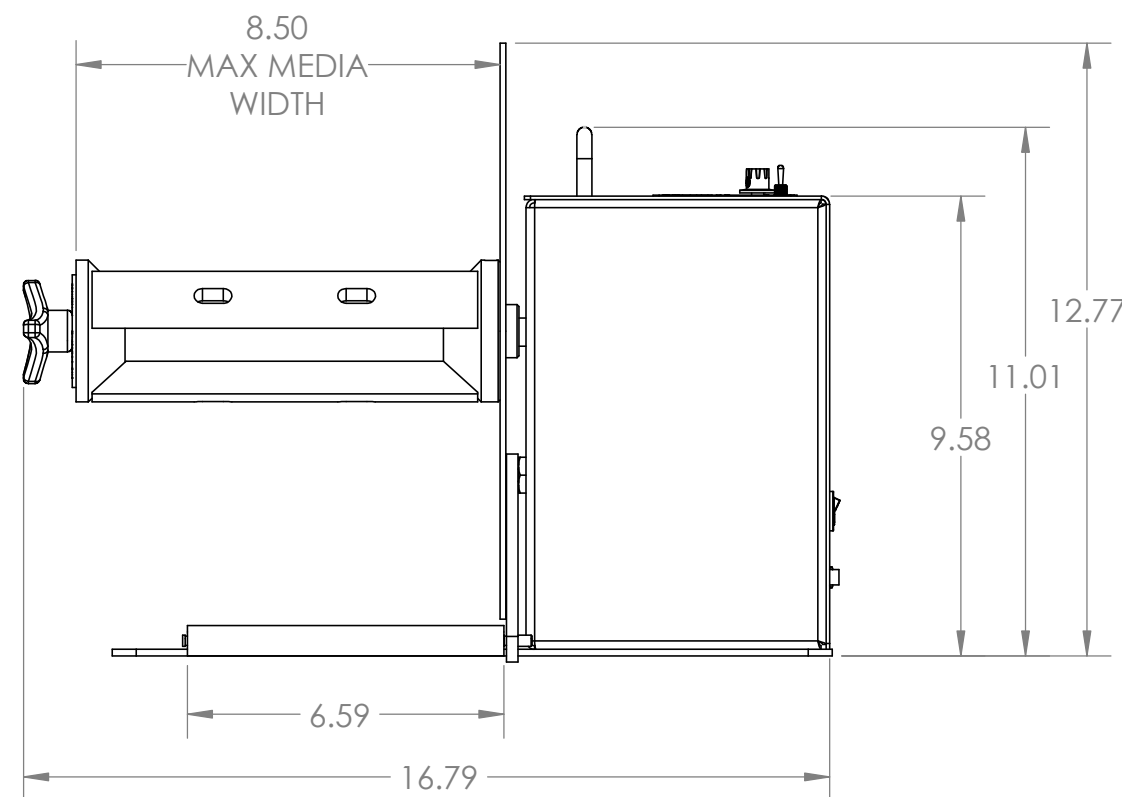
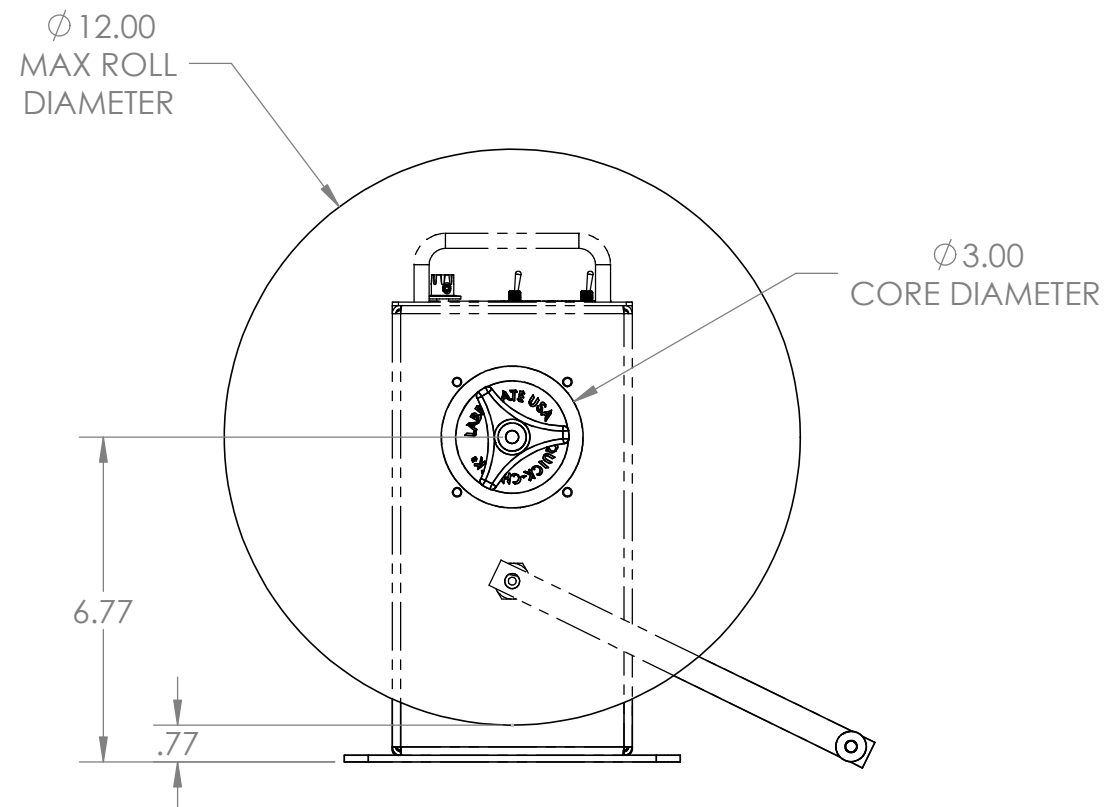


NOTES:

Standard Heavy-Duty Rewinder with Sensor Arm, for media up to 8.5" wide, and roll diameters up to 12".

- Max. Roll Diameter: 12" (305mm)
- Core Diameter: 3" (76mm)
- Core Holder: Mechanical Chuck
- Max. Media Width: 8.5" (216mm)
- Full 5-Year Parts and Labor Limited Warranty



ITEM ID:		
CAT-3SA-CHUCK-220		
DRAWN BY:	DATE:	PART NO.
TAH	2/1/2023	80-203-0030
POWER SUPPLY:		INPUT: 120VAC
PART NO. PS-1240-R	OUTPUT: 12VAC 3.3A	