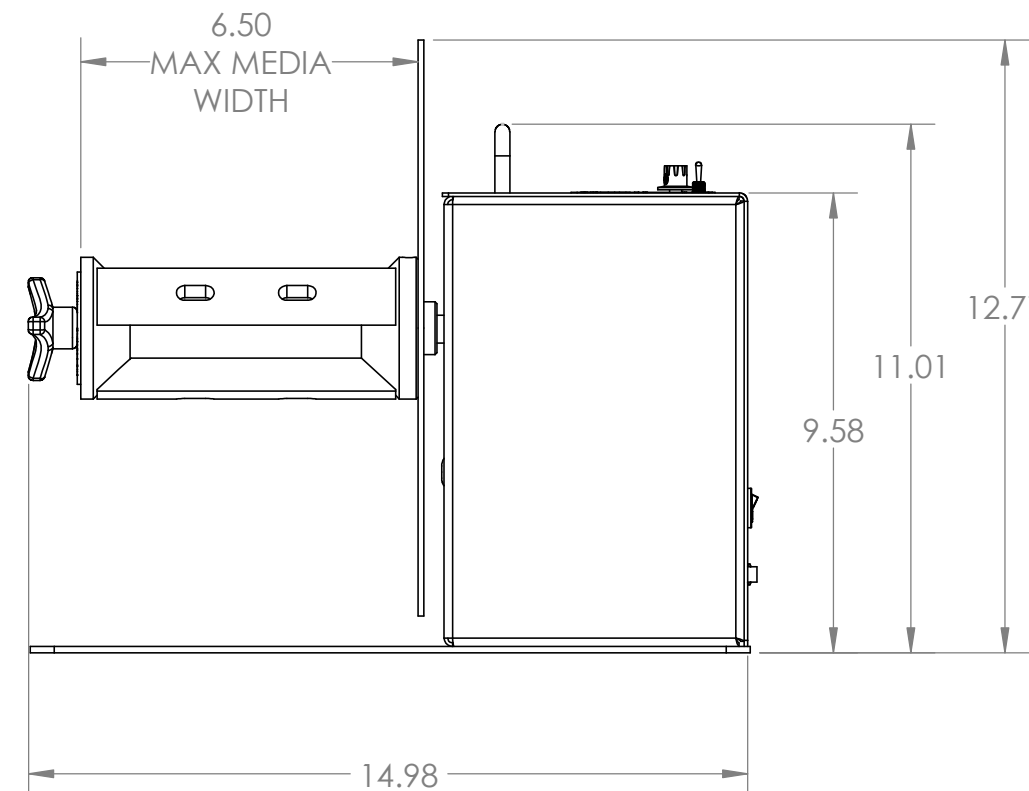
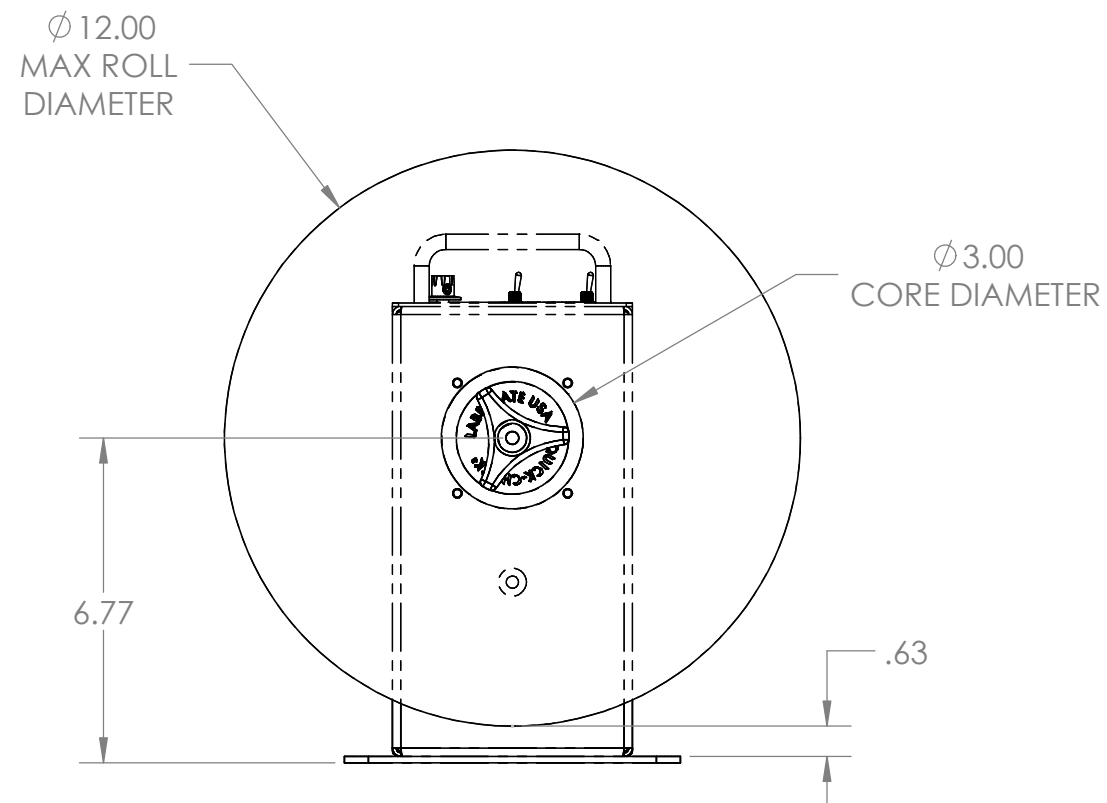


**NOTES:**

**Standard Heavy-Duty Rewinder for media up to 6.5" wide, and roll diameters up to 12".**

- Max. Roll Diameter: 12" (305mm)
- Core Diameter: 3" (76mm)
- Core Holder: Mechanical Chuck
- Max. Media Width: 6.5" (165mm)
- Full 5-Year Parts and Labor Limited Warranty



ITEM ID:

**CAT-3-CHUCK**

DRAWN BY: TAH	DATE: 2/1/2023	PART NO. 80-203-0006
------------------	-------------------	-------------------------

POWER SUPPLY:	INPUT: 120VAC
PART NO. PS-1240-R	OUTPUT: 12VAC 3.3A