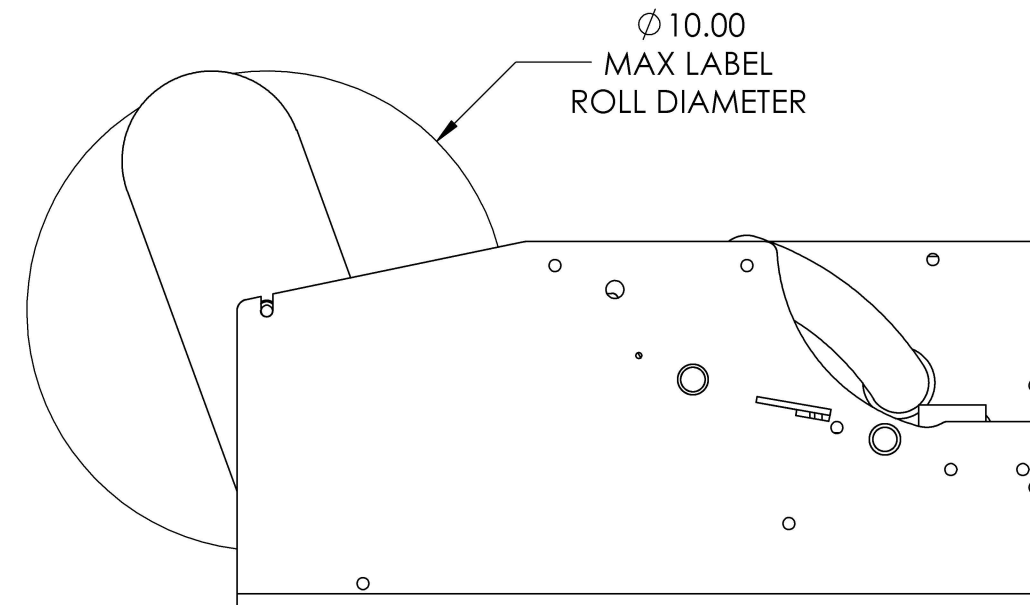
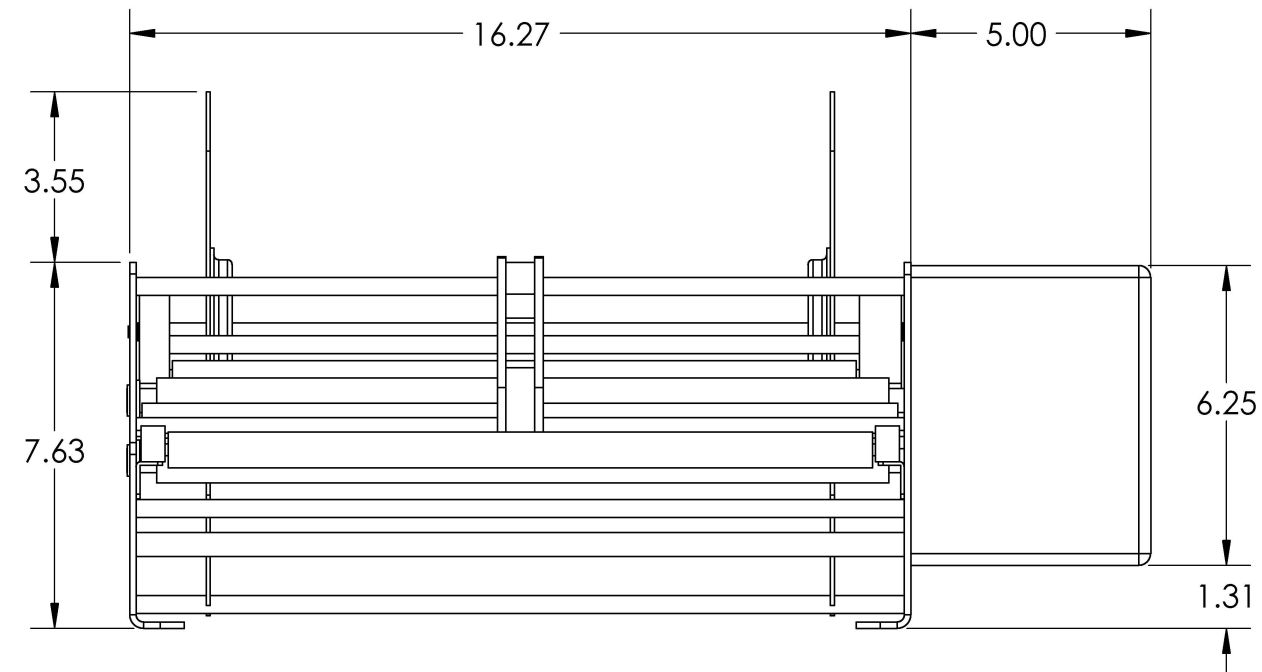


NOTES:

Automatic Bottle Label
 Applicator, 15" wide. 1 label per
 bottle.

- Max. Label Width: 15"
 (381mm)
- Labels per Bottle: 1
- Max. Bottle Diameter: 6"
 (153mm)
- Min. Bottle Diameter: 0.5"
 (13mm)
- Label Type: Opaque &
 Transparent, with gaps in
 between
- Max. Label Roll Diameter: 10"
 (254mm)
- Warranty: 3-Year Parts &
 Labor Limited Warranty



ITEM ID:

BOTTLEMATE-1510P

DRAWN BY: TAH	DATE: 2/1/2023	PART NO. 80-234-0009
------------------	-------------------	-------------------------

POWER SUPPLY:	INPUT:
PART NO. BUILT-IN	OUTPUT: