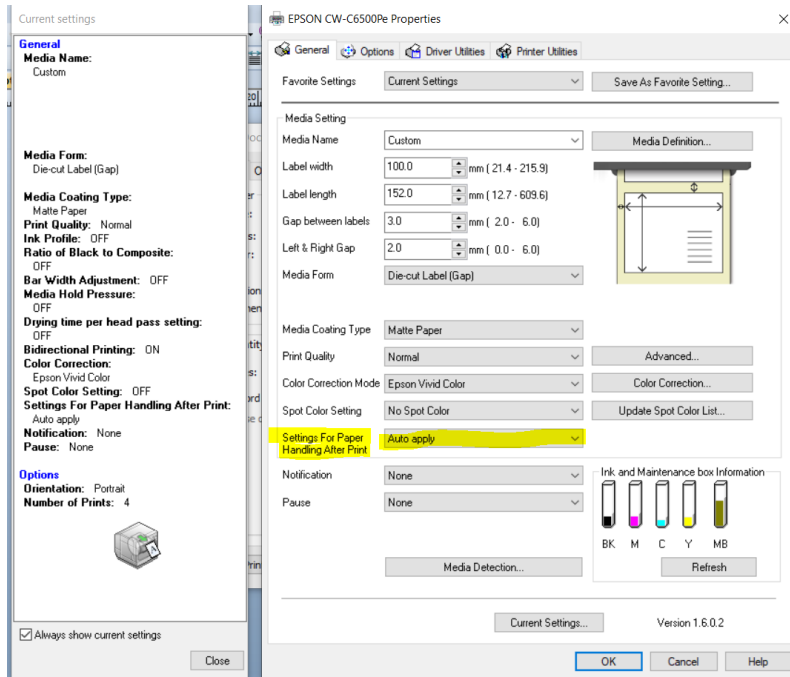


# botlr

## Epson C6XXX

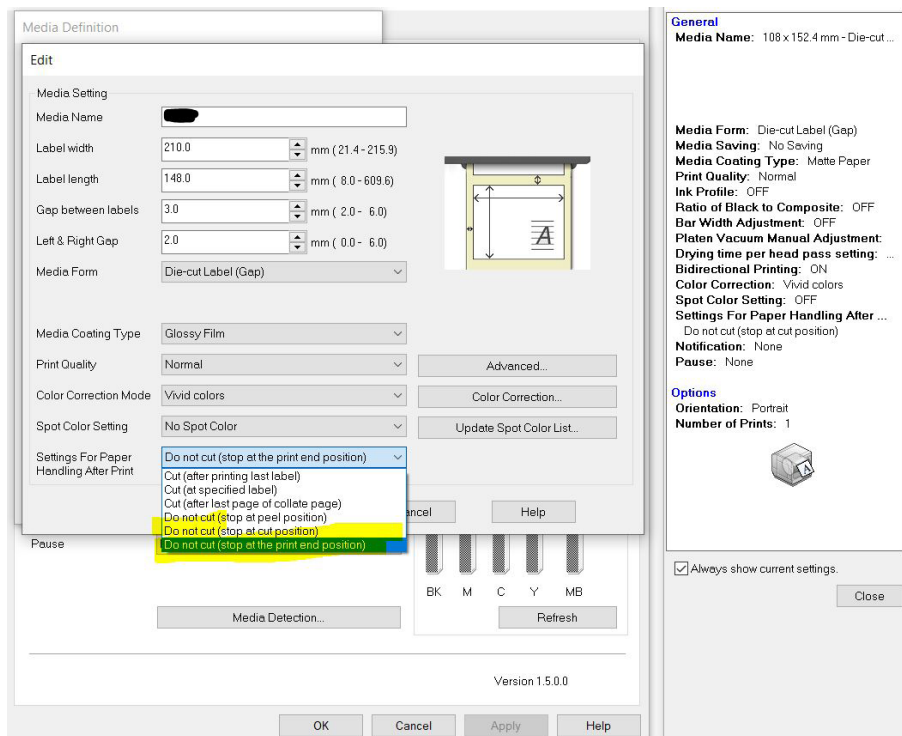
### Printer Driver setting PE models

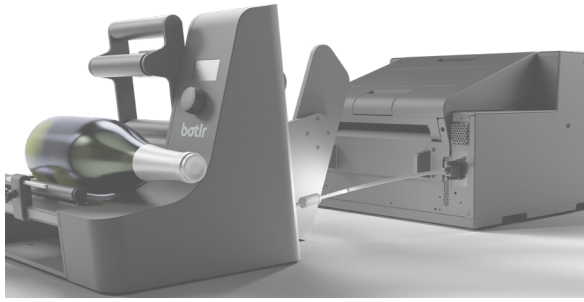
General Settings >> Settings for Paper Handling After Print >> Auto Apply



### Printer Driver setting AE models:

General Settings >> printing preferences >> Media >> Settings for media handling after print >> "do not cut and stop at print end position"



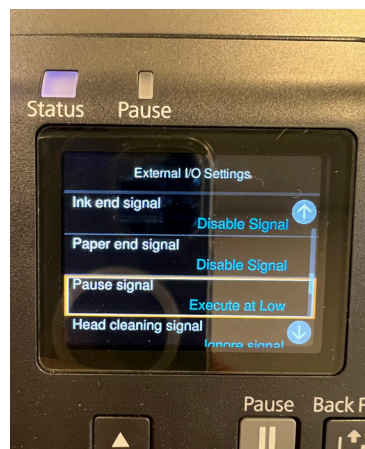
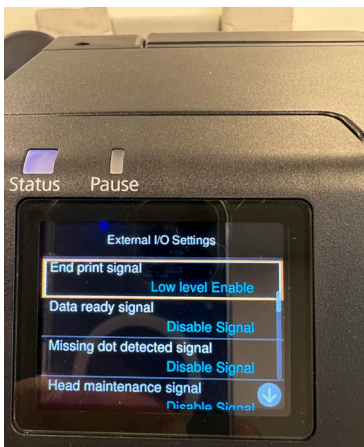


# botlr

## Epson C6XXX

### Printer setting:

- settings >> General Settings >> Printer Settings >> Print Options >> External I/O Settings
- **End Print Signal: Low Level Enable**
- **Pause Signal: Execute at Low**
- **Disable/ignore all other signals**



### Setting DIP-SWITCH on BOTLR

For connecting your EPSON C6XXX series printer, please attach both connectors and ensure that dip-switch number 2 is in the ON-position. By factory- default your device should be ready to use in combination with the cable without any modification. The DIP-SWITCH can be found just below the power switch on your BOTLR.