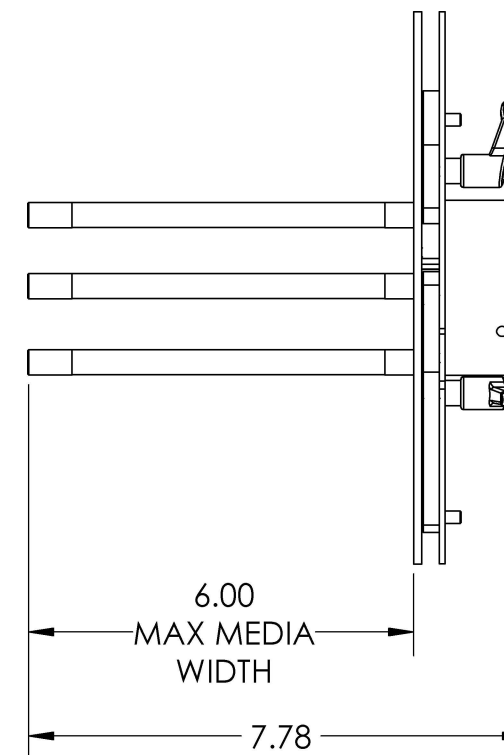
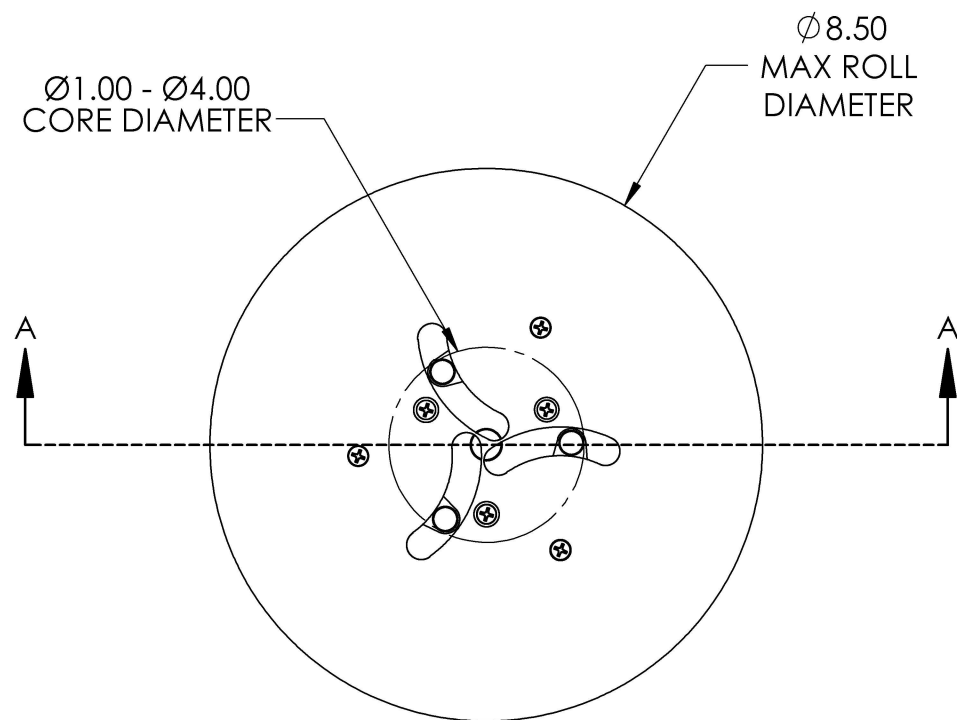
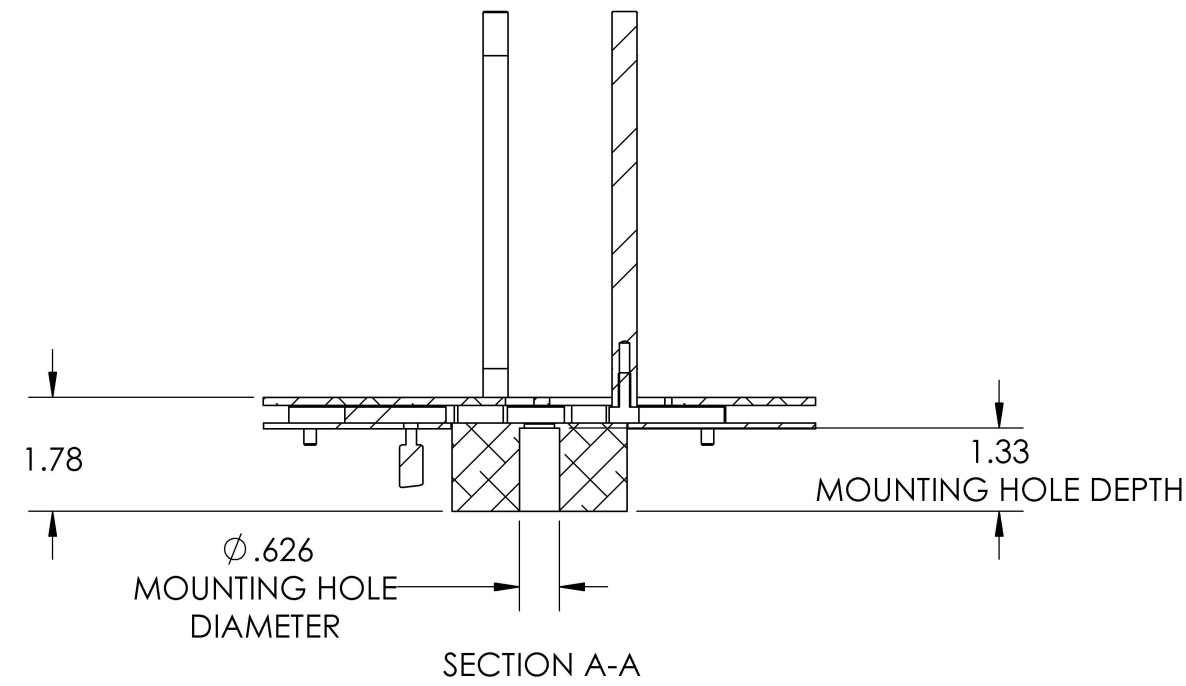


NOTES:

Adjustable Core Holder for TWIN-CAT-3 Rewind Stations.

- Core Diameter: 1" - 4" Adjustable (25-101mm)
- Max. Media Width: 6.7" (170mm)
- Max. Roll Weight: 17 lbs (8 kg)
- Mounting: Setscrew, press fit
- Mounting Hole Diameter: 0.626"
- Mounting Hole Depth: 1.33" (34mm)
- Composition: Steel and Anodized Aluminum
- Warranty: 3 Year Parts and Labor Limited Warranty



ITEM ID:		
ACH-TC3		
DRAWN BY:	DATE:	PART NO.
TAH	1/1/2024	81-246-0004
POWER SUPPLY:	INPUT:	
PART NO. NONE	OUTPUT:	