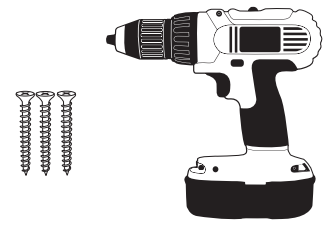




Ceremonial Firefighter Axe Plaque Direct Mounted Assembly Instructions

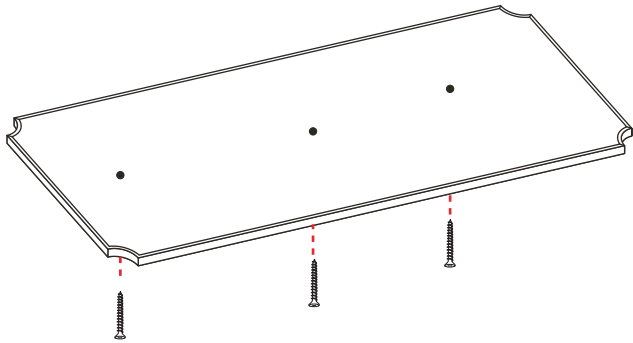
Tools Needed



#2 Phillips-head

1

Screw 3 of the supplied screws into the pre-drilled holes through the back of the plaque. Screw them in all the way.



2

Place the axe onto the plaque, matching the screw points to the correct pilot holes, and then tighten the screws into the axe handle.

