

**4616002**  
**Executive Presentation Set with Copper Plated 8" Gavel**  
**Production Proof**



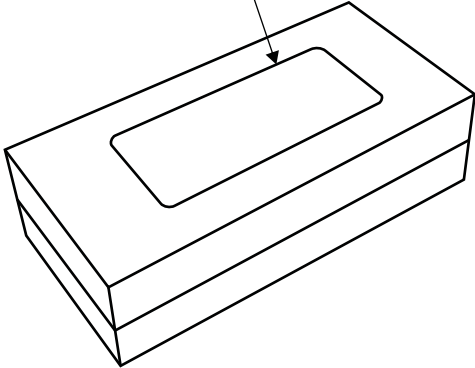
Engraving Area: 2.5"W x .5"H

**4670019 - Rotary Engraved Gavel Band**

**4616002**  
**Executive Presentation Set with Copper Plated 8" Gavel**  
**Production Proof**



Engraving Area: 5.5"W x 2"H



**4671023 - Laser Engraved**  
**6"W x 2.5"H Black Brass Plate**