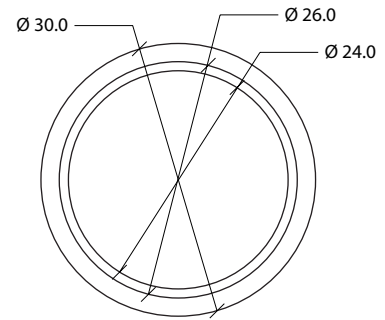
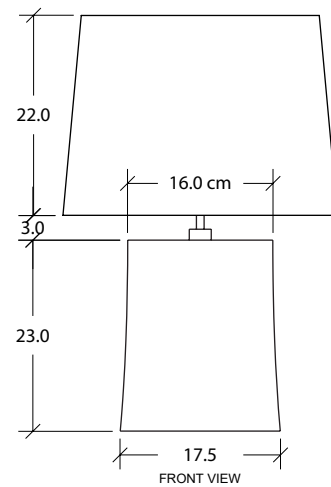


# ELAN ATELIER



TOP VIEW



FRONT VIEW

**SOHO LAMP**  
MUSE COLLECTION

## DIMENSIONS /

**DIA** 30 cm

**H** 48 cm

**DIA** 11.8 in

**H** 18.9 in

## MATERIALS /

BRONZE, SHADE: LINEN

## STANDARD FINISH SHOWN /

DARK BRONZE

