



2023 PRODUCT CATALOG

NUWATTLIGHTING.COM

About Nuwatt Lighting

Established in 2010, Nuwatt Lighting, Inc. is a Los Angeles based LED lighting leader that provides the market with an array of LED lighting products. Our series of high efficiency, low energy consuming LED products have been skillfully developed by our engineers to suit a range of clients both in the residential and commercial application.

Nuwatt Lighting's objective is very simple; to provide superior LED lighting products and service at the highest level of quality and performance in the industry. Our USA team of lighting professionals that strive to develop innovative techniques to manufacture the most efficient LED lighting products. This allows users to save money and create a brighter future for the environment.

What's New?

Pricing: Some prices have changed due to unstable raw material and transportation costs. Nuwatt has tried to absorb as much as the costs as possible.

Customization: Nuwatt has always been a believer in adding controls to our fixtures. Now we have added the cost on our price sheet for easier quoting.

10 Year Warranty: Nuwatt is now offering a 10 year optional warranty on most of our products.

Freight Allowed: Nuwatt has updated their Free Freight Allowed policy.

Please contact Nuwatt Lighting, Inc. or your local rep for more information on what's new!

Nuwatt Affiliated Organizations



Nuwatt Lighting Inc is a proud member of ALA.



Safety Certification Listings



All Nuwatt products carry either a UL or ETL nationally recognized safety certification listing to ensure the highest level of safety.



Performance Certification Listing

Products which carry DLC qualified listings are shown in each product specification table.



Energy Star

Products which carry Energy Star qualified listings are shown in each product specification table.



JA8 Title 24 Compliance

Look for the JA8 icon for products that have been qualified and listed in California's JA8 MAEDBS database provided to help comply with California Title 24 requirements.

Nuwatt Product Features



Selected Color Temperature

A specification for white light sources used to describe the dominant color tone along the dimension from warm (yellows and reds) to cool (blue).



Select-N-Switch Technology

Nuwatt technology which allows you to choose your desired lumen and CCT. Just Select-N-Switch!"

Table of Contents

- Trimless Downlights 3
- Canless Downlights 4-8
- Fire-Rated Canless Downlights 9
- Commercial / Smart Downlight 10
- Retrofit Downlights 11-13
- Track Lighting 14
- Surface Mounts 15-18
- Backlit Panels 19
- Edge Lit Panels 20
- Center Basket Troffers 21
- Tube Light 22
- Round Strip Light / Wraps 23
- Vapor Tight 24
- Undercabinet Fixtures 25
- Step Lights 26
- Canopy Fixtures 27
- Wall Packs 28-29
- Area Lights 30
- Highbay 31
- Bollards 32



2" LED Trimless Round Downlight

- External J-Box Eliminates Recessed Can
- New Construction Mounting Plate Available
- Suitable for Use in Wet Locations
- IC & Airtight-Rated Fixture
- EMB: Emergency Back Up: 90 minutes

5 Kelvin Selectable



Model	Voltage	Watts	Lumens	Color	CRI
NW-DLJBX-TML-2R-8W-5CCT-WH	120V	8w	600	27/30/35/40/50K	>90
NW-DLJBX-TML-2R-8W-5CCT-BLK	120V	8w	600	27/30/35/40/50K	>90
NW-DLJBX-TML-2R-15W-5CCT-WH	120V	15w	1000	27/30/35/40/50K	>90
NW-DLJBX-TML-2R-15W-5CCT-BLK	120V	15w	1000	27/30/35/40/50K	>90



2" LED Trimless Gimbal Downlight

5 Kelvin Selectable



Model	Voltage	Watts	Lumens	Color	CRI
NW-DLJBX-TML-GMB-2R-8W-5CCT-WH	120V	8w	600	27/30/35/40/50K	>90
NW-DLJBX-TML-GMB-2R-8W-5CCT-BLK	120V	8w	600	27/30/35/40/50K	>90

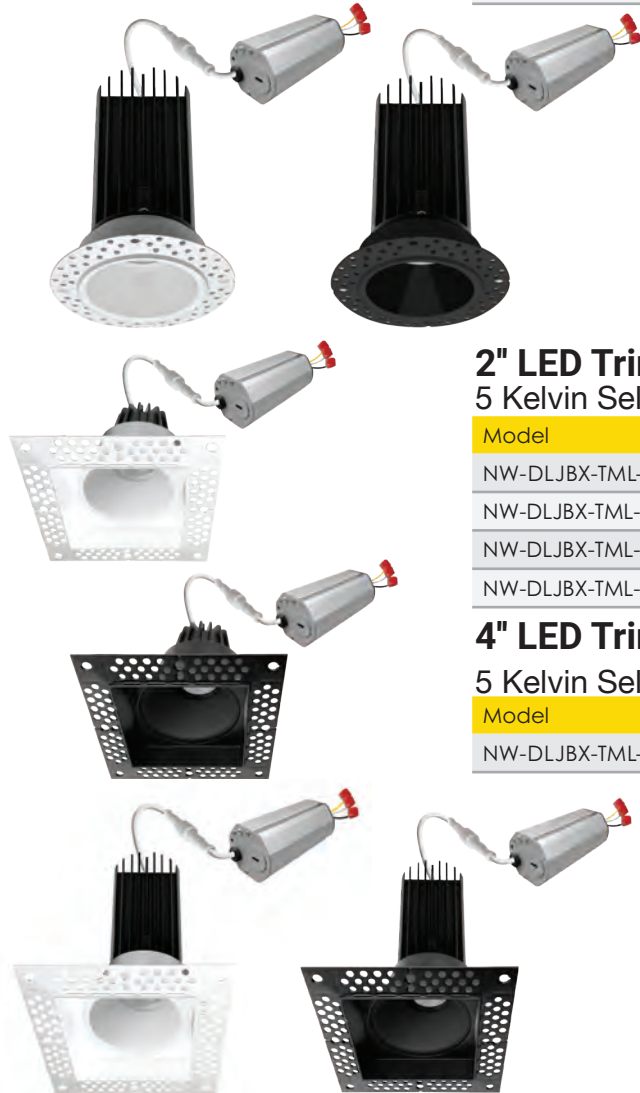


4" LED Trimless Round Downlight

5 Kelvin Selectable



Model	Voltage	Watts	Lumens	Color	CRI
NW-DLJBX-TML-4R-15W-5CCT-WH	120V	15w	1000	27/30/35/40/50K	>90
NW-DLJBX-TML-4R-15W-5CCT-BLK	120V	15w	1000	27/30/35/40/50K	>90



2" LED Trimless Square Downlight

5 Kelvin Selectable



Model	Voltage	Watts	Lumens	Color	CRI
NW-DLJBX-TML-2SQ-8W-5CCT-WH	120V	8w	600	27/30/35/40/50K	>90
NW-DLJBX-TML-2SQ-8W-5CCT-BLK	120V	8w	600	27/30/35/40/50K	>90
NW-DLJBX-TML-2SQ-15W-5CCT-WH	120V	15w	1000	27/30/35/40/50K	>90
NW-DLJBX-TML-2SQ-15W-5CCT-BLK	120V	15w	1000	27/30/35/40/50K	>90



4" LED Trimless Square Downlight

5 Kelvin Selectable



Model	Voltage	Watts	Lumens	Color	CRI
NW-DLJBX-TML-4SQ-15W-5CCT-WH	120V	15w	1000	27/30/35/40/50K	>90



4" Regressed Downlight

- External j-box & spring mount clips for easy installation
- Compatible with most dimmers (e.g. Lutron DVCL-153P)

5 Kelvin Selectable



Model	Voltage	Watts	Lumens	Color	CRI
NW-DLJBX-4RG-18W-5CCT-WH-R	120V	18w	1500	27/30/35/40/50K	>90
NW-DLJBX-4RG-15W-5CCT-WH-R	120V	15w	1000	27/30/35/40/50K	>90
NW-DLJBX-4RG-15W-5CCT-WH-R-0/10V	120-277V	15w	1100	27/30/35/40/50K	>90

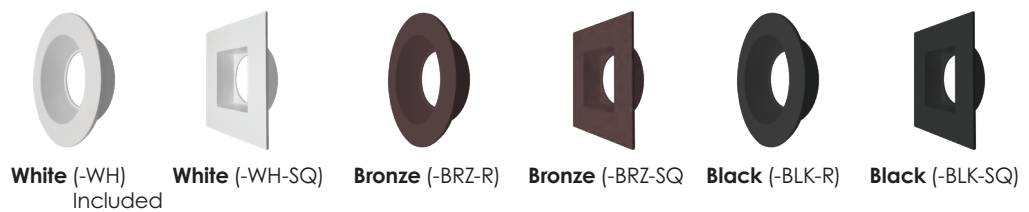
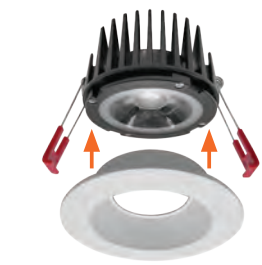


Warm Dimming



Model	Voltage	Watts	Lumens	Color	CRI
NW-DLJBX-4RG-12W-3WD-WH-R	120V	12w	850	30-->18k	>90

Accessory	Description
Add '-EMB-' to model #	Emergency Backup (External 25W)
DLJBX-4RG-TRIM-WH-SQ	4" Regressed Gimbal White Square Trim
DLJBX-4RG-TRIM-BLK-R	4" Regressed Gimbal Black Round Trim
DLJBX-4RG-TRIM-BLK-SQ	4" Regressed Gimbal Black Square Trim
DLJBX-4RG-TRIM-BRZ-R	4" Regressed Gimbal Bronze Round Trim
DLJBX-4RG-TRIM-BRZ-SQ	4" Regressed Gimbal Bronze Square Trim



6" Regressed Downlight

- External j-box & spring mount clips for easy installation
- Compatible with most dimmers (e.g. Lutron DVCL-153P)

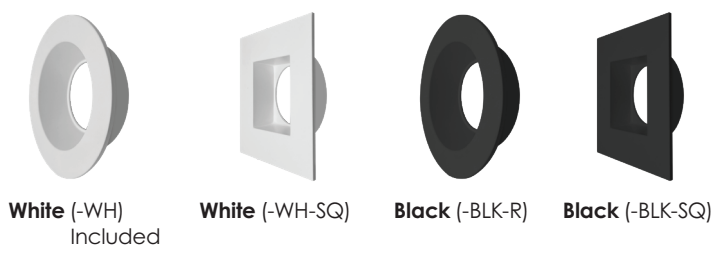
5 Kelvin Selectable



Model	Voltage	Watts	Lumens	Color	CRI
NW-DLJBX-6RG-24W-5CCT-WH-R	120V	24w	1800	27/30/35/40/50K	>90



Accessory	Description
Add '-EMB-' to model #	Emergency Backup (External 25W)
DLJBX-6RG-TRIM-WH-SQ	6" Regressed Gimbal White Square Trim
DLJBX-6RG-TRIM-BLK-R	6" Regressed Gimbal Black Round Trim
DLJBX-6RG-TRIM-BLK-SQ	6" Regressed Gimbal Black Square Trim



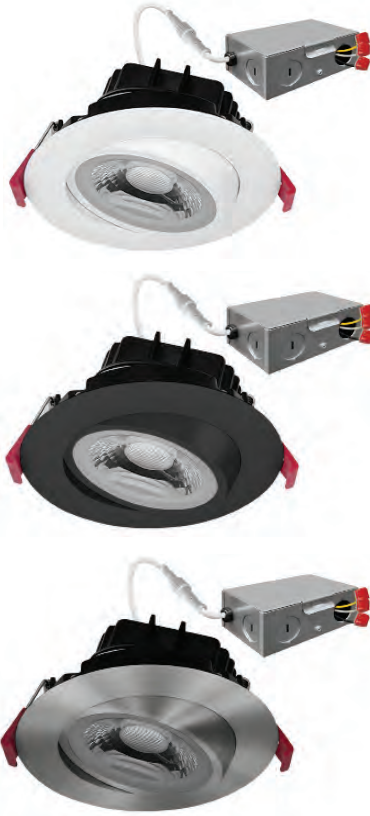


3" Gimbal Canless Downlight

5 Kelvin Selectable



Model	Voltage	Watts	Lumens	Color	CRI
NW-GMB-3-5CT-WH-R	120V	8w	600	27/30/35/40/50k	>80
NW-GMB-3-5CT-BLK-R	120V	8w	600	27/30/35/40/50k	>80
NW-GMB-3-5CT-BZ-R	120V	8w	600	27/30/35/40/50k	>80
NW-GMB-3-5CT-BN-R	120V	8w	600	27/30/35/40/50k	>80
NW-GMB-3-5CT-WH-SQ	120V	8w	600	27/30/35/40/50k	>80
NW-GMB-3-5CT-BLK-SQ	120V	8w	600	27/30/35/40/50k	>80



4" Gimbal Canless Downlight

- External j-box & spring mount clips for easy installation
- Compatible with most dimmers (e.g. Lutron DVCL-153P)
- Canless module does not require housing

5 Kelvin Selectable



Model	Voltage	Watts	Lumens	Color	CRI
NW-GMB-4-12W-5CT-WH-R	120V	12w	750	27/30/35/40/50k	>90
NW-GMB-4-12W-5CT-BLK-R	120V	12w	750	27/30/35/40/50k	>90

360° Rotation 35° Tilt



4" Round Scoop Downlight J-Box

5 Kelvin Selectable



Model	Voltage	Watts	Lumens	Color	CRI
NW-SL-SCP-4R-12W-5CCT-WH	120V	12w	900	27/30/35/40/50K	>90



4" Regressed Canless Downlight

- External j-box & spring mount clips for easy installation
- Compatible with most dimmers (e.g. Lutron DVCL-153P)

5 Kelvin Selectable



Model	Voltage	Watts	Lumens	Color	CRI
NW-GMB-4-15W-5CT-WH-RG	120V	15w	1000	27/30/35/40/50k	>90
NW-GMB-4-15W-5CT-BLK-RG	120V	15w	1000	27/30/35/40/50k	>90



5 Kelvin Selectable



Model	Voltage	Watts	Lumens	Color	CRI
NW-GMB-4-15W-5CT-WH-SG	120V	15w	1000	27/30/35/40/50k	>90
NW-GMB-4-15W-5CT-BLK-SG	120V	15w	1000	27/30/35/40/50k	>90



3" Regressed Gimbal Canless Downlight

- External j-box & spring mount clips for easy installation
- Compatible with most dimmers (e.g. Lutron DVCL-153P)

5 Kelvin Selectable



Model	Voltage	Watts	Lumens	Color	CRI
NW-GMB-3-8W-5CT-WH-RG	120V	8w	600	27/30/35/40/50k	>90
NW-GMB-3-8W-5CT-BLK-RG	120V	8w	600	27/30/35/40/50k	>90



4" Round External J-Box Canless Downlight

- Integrated j-box & spring mount clips for easy installation
- Compatible with most dimmers (e.g. Lutron DVCL-153P)
- Canless module does not require housing

5 Kelvin Selectable



Model	Voltage	Watts	Lumens	Color	CRI
NW-DL-4-JBX-10W-5CT	120V	10w	750	27/30/35/40/50k	>90



6" Round External J-Box Canless Downlight

5 Kelvin Selectable



Model	Voltage	Watts	Lumens	Color	CRI
NW-DL-6-JBX-15W-5CT	120V	15w	1000	27/30/35/40/50k	>90





3" Round Slim Panel Downlight

- Canless module does not require housing
- Check spec sheet for dimmer compatibility. Triac and 0-10V options are available.
- Accessories including color trims (see page 34)

5 Kelvin Selectable



Model	Voltage	Watts	Lumens	Color	CRI
NW-P-DL-3-6W-5CT-WH	120V	6w	420	27/30/35/40/50k	>90



5 Kelvin Selectable



Model	Voltage	Watts	Lumens	Color	CRI
NW-P-SQDL-3-6W-5CT-WH	120V	6w	420	27/30/35/40/50k	>90



Pre-installed Accessory Model	Description
Add '-EMB' to model #	Emergency Backup (External 25W)



4" Round Slim Panel Downlight

- Canless module does not require housing
- Check spec sheet for dimmer compatibility. Triac and 0-10V options are available.
- Accessories including color trims (see page 34)

5 Kelvin Selectable



Model	Voltage	Watts	Lumens	Color	CRI
NW-P-DL-4-9W-5CT-WH	120V	9w	840	27/30/35/40/50k	>90
NW-P-DL-4-9W-5CT-BLK	120V	9w	840	27/30/35/40/50k	>90
NW-P-DL-4-9W-5CT-BZ	120V	9w	840	27/30/35/40/50k	>90
NW-P-DL-4-9W-5CT-BN	120V	9w	840	27/30/35/40/50k	>90



Pre-installed Accessory Model	Description
Add '-EMB' to model #	Emergency Backup (External 25W)



4" Square Slim Panel Downlight

5 Kelvin Selectable



Model	Voltage	Watts	Lumens	Color	CRI
NW-P-SQDL-4-9W-5CT-WH	120V	12w	840	27/30/35/40/50k	>90
NW-P-SQDL-4-9W-5CT-BLK	120V	12w	840	27/30/35/40/50k	>90



Pre-installed Accessory Model	Description
Add '-EMB' to model #	Emergency Backup (External 25W)



4" Adjustable Slim Panel Downlight

- Canless module does not require housing
- Fixture is adjustable up to 45°
- Accessories including color trims (see page 34)

5 Kelvin Selectable



Model	Voltage	Watts	Lumens	Color	CRI
NW-P-ADJDL-4-9W-5CT-WH	120V	9w	600	27/30/35/40/50k	>90
NW-P-ADJDL-4-9W-5CT-BLK	120V	9w	600	27/30/35/40/50k	>90



Pre-installed Accessory Model	Description
Add '-EMB' to model #	Emergency Backup (External 25W)





6" Round Slim Panel Downlight

5 Kelvin Selectable



Model	Voltage	Watts	Lumens	Color	CRI
NW-P-DL-6-15W-5CT-WH	120V	15w	1050	27/30/35/40/50k	>90
NW-P-DL-6-15W-5CT-BLK	120V	15w	1050	27/30/35/40/50k	>90
NW-P-DL-6-15W-5CT-BZ	120V	15w	1050	27/30/35/40/50k	>90
NW-P-DL-6-15W-5CT-BN	120V	15w	1050	27/30/35/40/50k	>90

Pre-installed Accessory Model	Description
Add '-EMB' to model #	Emergency Backup (External 25W)



6" Square Slim Panel Downlight

5 Kelvin Selectable



Model	Voltage	Watts	Lumens	Color	CRI
NW-P-SQDL-6-15W-5CT-WH	120V	15w	1050	27/30/35/40/50k	>90
NW-P-SQDL-6-15W-5CT-BLK	120V	15w	1050	27/30/35/40/50k	>90

Pre-installed Accessory Model	Description
Add '-EMB' to model #	Emergency Backup (External 25W)



6" Adjustable Slim Panel Downlight

5CCT Selectable



Model	Voltage	Watts	Lumens	Color	CRI
NW-P-ADJDL-6-15W-5CT-WH	120V	12w	800	27/30/35/40/50k	>90
NW-P-ADJDL-6-15W-5CT-BLK	120V	12w	800	27/30/35/40/50k	>90

Pre-installed Accessory Model	Description
Add '-EMB' to model #	Emergency Backup (External 25W)



Snap Spring



Cable Mount Lock

Fire Rated 4" LED White Round Canless Downlight

- 2 Hour Fire Rating
- Tested to Comply with UL 263, ASTM E119 & CAN ULC S101
- Reinforced and Heat Resistant Steel Casing
- 5CCT Selectable: 27/30/35/40/50K
- Junction Box with Commercial Grade Driver Included
- Triac-Dimmable from 5%-100%
- Easy Installation - Certified Airtight, IC rated

5 Kelvin Selectable



Model	Voltage	Watts	Lumens	Color	CRI
NW-P-DL-4-12W-5CT-FR-WH	120V	12w	600	27/30/35/40/50k	>90



Fire Rated 6" LED White Round Canless Downlight



Model	Voltage	Watts	Lumens	Color	CRI
NW-P-DL-6-15W-5CT-FR-WH	120V	15w	1050	27/30/35/40/50k	>90



Fire Rated LED Cans (IC-Rated)

- Fire Rated: Chicago Plenum
- IC-Rated
- Features Title 24 quick connect for LED trims



Model	Voltage	Description
NW-C4-NC-ICAT-LED-FR	120-277V	4" Fire Rated IC Can (New Construction)
NW-C6-NC-ICAT-LED-FR	120-277V	6" Fire Rated IC Can (New Construction)



4" / 6" / 8" / 10" Commercial Downlight

- Change wattage output with the flick of a switch
- CCT Color changing technology (30/40/50K variable)
- 0-10V Dimmable

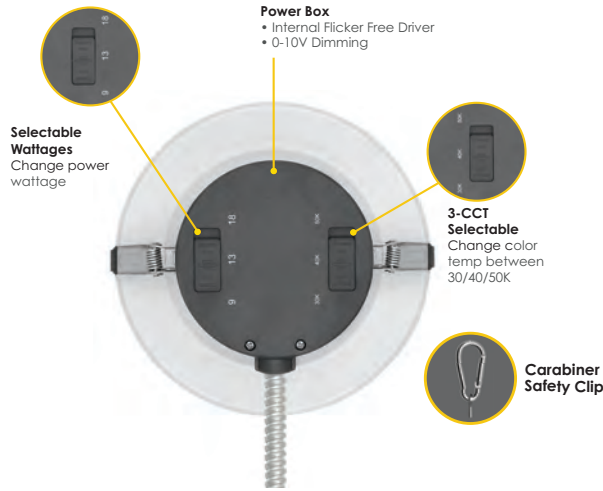
3 Kelvin & Wattage Selectable



Model	Voltage	Watts	Lumens	Color	CRI
NW-CDL-4-6.8.12W-3CCT	120-277V	6/8/12w	600/800/1200lm	30/40/50k	>90
NW-CDL-6-8.12.16W-3CCT	120-277V	9/13/19w	800/1200/1600lm	30/40/50k	>90
NW-CDL-8-12.16.22W-3CCT	120-277V	16.5/23/29w	800/1200/1600lm	30/40/50k	>90
NW-CDL-10-22.28.36W-3CCT	120-277V	21/30/38w	800/1200/1600lm	30/40/50k	>90

Additional Features

- Wet Location
- White Finish
- Aluminum Lamp Body
- Deep Reflector Design
- Low Glare



Smart Downlight RGB+W

- RGB+W Technology: Tunable from 27K-50K + RGB colors
- Dimmable and controllable via Bluetooth from your smartphone
- Music Mode: RGB Colors dance to music
- Suitable for retrofit or new construction
- Set timing schedule and group fixtures together
- Connect to multiple phones
- Control your lights with WIFI



4"

4" Color Changing Smart Downlight



Model	Voltage	Watts	Lumens	Color	CRI
NW-R-SMRT-4-10W-TRI	120V	10.5w	800	RGB+W	>90

6" Color Changing Smart Downlight

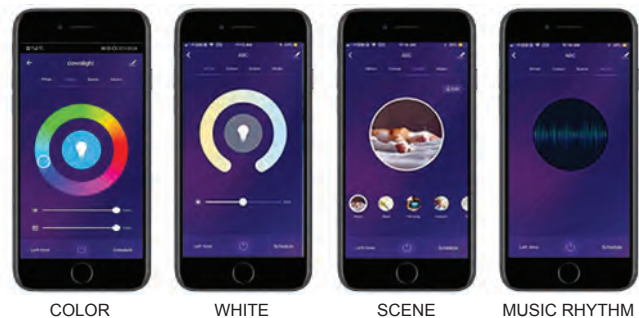


Model	Voltage	Watts	Lumens	Color	CRI
NW-R-SMRT-6-15W-TRI	120V	12w	1000	RGB+W	>90

Pre-installed Accessory Model	Description
Add '-EMB-' to model #	Emergency Backup (External 25W)



5/8"



COLOR

WHITE

SCENE

MUSIC RHYTHM



4"

4" Round Retrofit Downlight

- Selectable 5CCT (27/30/35/40/50K) and 3-Power wattages (8/10/12W)
- Instant On, no waiting time to heat up
- Compatible with most dimmers down to 5%
- Wet location rated

5 Kelvin & 3 Wattage Selectable



Model	Voltage	Watts	Lumens	Color	CRI
NW-DL-R-4-12WC-5CCT-WH	120V	8/10/12w	560/680/800lm	27/30/35/40/50k	>90



5/6"

6" Round Retrofit Downlight

5 Kelvin & 3 Wattage Selectable



Model	Voltage	Watts	Lumens	Color	CRI
NW-DL-R-6-18WC-5CCT-WH	120V	12/15/18w	900/1100/1300lm	27/30/35/40/50k	>90



Pre-installed Accessory Model	Description
Add '-EMB' to model #	Emergency Backup (External 25W)



5CCT & Watt Selectable Switch

Switch between 27, 30, 35, 40, and 50K color temperatures with the flip of a switch, located on the back of the fixture.



4" Square Retrofit Downlight

- Selectable 5CCT (27/30/35/40/50K)
- Instant On
- Compatible with most dimmers down to 5%

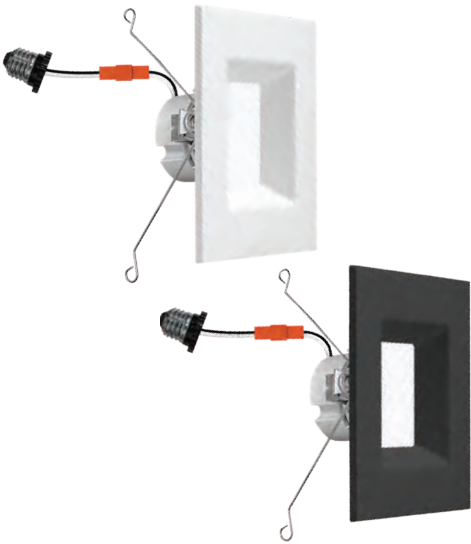
5 Kelvin Selectable



Model	Voltage	Watts	Lumens	Color	CRI
NW-SQ-C4-11W-5CCT-WH	120V	11w	750	27/30/35/40/50k	>90
NW-SQ-C4-11W-5CCT-BLK	120V	11w	750	27/30/35/40/50k	>90



Pre-installed Accessory Model	Description
Add '-EMB' to model #	Emergency Backup (External 25W)



6" Square Retrofit Downlight

5 Kelvin Selectable



Model	Voltage	Watts	Lumens	Color	CRI
NW-SQ-C6-15W-5CCT-WH	120V	15w	1100	27/30/35/40/50k	>90
NW-SQ-C6-15W-5CCT-BLK	120V	15w	1100	27/30/35/40/50k	>90



Pre-installed Accessory Model	Description
Add '-EMB' to model #	Emergency Backup (External 25W)



5CCT Selectable Switch

Switch between 27, 30, 35, 40, and 50K color temperatures with the flip of a switch, located on the back of the fixture.



4" Adjustable Retrofit Downlight

- Adjustable fixture allows 360° free rotation, and 60° pitch angle
- Selectable 5CCT (27/30/35/40/50K)
- Title 24 connector (E26 adapter included)

5 Kelvin Selectable



Model	Voltage	Watts	Lumens	Color	CRI
NW-GMB-C4-10W-5CCT-WH	120V	10w	750	27/30/35/40/50k	>90
NW-GMB-C4-10W-5CCT-BLK	120V	10w	750	27/30/35/40/50k	>90



6" Adjustable Retrofit Downlight

5 Kelvin Selectable



Model	Voltage	Watts	Lumens	Color	CRI
NW-GMB-C6-16.5W-5CCT-WH	120V	16.5w	1200	27/30/35/40/50k	>90
NW-GMB-C6-16.5W-5CCT-BLK	120V	16.5w	1200	27/30/35/40/50k	>90



Pre-installed Accessory Model	Description
Add '-EMB' to model #	Emergency Backup (External 25W)



4" 12V MR16 Retrofit Downlight

- Easy-mount spring clips allow tool-less retrofit installation
- Heavy-duty die-cast aluminum heatsink
- Only ideal with magnetic transformers
- Dimmable with low voltage dimmers
- Uses standard MR16 connector

5 Kelvin Selectable



Model	Voltage	Watts	Lumens	Color	CRI
NW-EDL-4-10W-5CCT-WH-12V	12V	10w	600	27/30/35/40/50K	>80





Track Lights

- Rotation 350° (horizontal) adjustable to 90° (vertical)
- Interchangeable beam angle options
- Compatible with 3-wire single circuit track systems (H-Type)
- COB chip and PMMA lens

5 Kelvin Selectable



Model	Voltage	Watts	Lumens	Color	CRI
NW-ATH-10W-5CCT-30D-WH	120V	10w	1000	27/30/35/40/50K	>90
NW-ATH-10W-5CCT-30D-BLK	120V	10w	1000	27/30/35/40/50K	>90
NW-ATH-20W-5CCT-36D-WH	120V	20w	2000	27/30/35/40/50K	>90
NW-ATH-20W-5CCT-36D-BLK	120V	20w	2000	27/30/35/40/50K	>90
NW-ATH-30W-5CCT-36D-WH	120V	30w	3000	27/30/35/40/50K	>90
NW-ATH-30W-5CCT-36D-BLK	120V	30w	3000	27/30/35/40/50K	>90

Track Heads

Model	Description
ATH-10W-24D	Track Heads: ACRY-Line 24D Optic
ATH-10W-60D	Track Heads: ACRY-Line 60D Optic
ATH-20W-24D	Track Heads: ACRY-Line 24D Optic
ATH-20W-60D	Track Heads: ACRY-Line 60D Optic
ATH-30W-24D	Track Heads: ACRY-Line 24D Optic
ATH-30W-60D	Track Heads: ACRY-Line 60D Optic



5 Kelvin Selectable Switch



6" Disk Light
3 Kelvin Selectable



Model	Voltage	Watts	Lumens	Color	CRI
NW-R-DSK-6-15W-3CCT	120V	15w	1000	30/40/50k	>90



6" Disk Light
Single Kelvin Temperature



Model	Voltage	Watts	Lumens	Color	CRI
NW-R-DSK-6-15W-27K	120V	15w	1000	2700k	>90
NW-R-DSK-6-15W-30K	120V	15w	1000	3000k	>90
NW-R-DSK-6-15W-35K	120V	15w	1000	3500k	>90
NW-R-DSK-6-15W-40K	120V	15w	1000	4000k	>90
NW-R-DSK-6-15W-50K	120V	15w	1000	5000k	>90

Accessory Model	Description
Add '-EMB-' to model #	Emergency Backup (External 25W)



5" Round Surface Mount

- Edge-lit design provides even light distribution
- Check spec sheet for dimmer compatibility. Triac and 0-10V options are available.
- Work in 30/40 J-Box (0/10V Version only 40)
- Fixture is wet location rated
- Newly updated CCT switch, allows for installation into pancake J-box

5 Kelvin Selectable



Model	Voltage	Watts	Lumens	Color	CRI
NW-SMR-5-10W-5CT-WH	120V	10w	650	27/30/35/40/50k	>90



7" Round Surface Mount

5 Kelvin Selectable



Model	Voltage	Watts	Lumens	Color	CRI
NW-SMR-7-15W-5CT-WH	120V	15w	1000	27/30/35/40/50k	>90



12" Round Surface Mount

5 Kelvin Selectable



Model	Voltage	Watts	Lumens	Color	CRI
NW-SMR-12-22W-5CT-WH	120V	22w	1450	27/30/35/40/50k	>90

5" Trimless Surface Mounts

- Ultra thin, easy to install, and perfect for any kitchens, corridors
- Compatible with 30/40 junction box or recessed can installation
- Super thin modern frame



Single Kelvin Temperature

Model	Voltage	Watts	Lumens	Color	CRI
NW-TSM-5R-12W-30K-WH	120V	12w	850	3000k	>90
NW-TSM-5R-12W-30K-BLK	120V	12w	850	3000k	>90
NW-TSM-5R-12W-30K-BN	120V	12w	850	3000k	>90



7" Trimless Surface Mounts

Single Kelvin Temperature



Model	Voltage	Watts	Lumens	Color	CRI
NW-TSM-7R-15W-30K-WH	120V	15w	1100	3000k	>90
NW-TSM-7R-15W-30K-BLK	120V	15w	1100	3000k	>90
NW-TSM-7R-15W-30K-BN	120V	15w	1100	3000k	>90



9" Trimless Surface Mounts

Single Kelvin Temperature



Model	Voltage	Watts	Lumens	Color	CRI
NW-TSM-9R-18W-30K-WH	120V	18w	1300	3000k	>90
NW-TSM-9R-18W-30K-BLK	120V	18w	1300	3000k	>90
NW-TSM-9R-18W-30K-BN	120V	18w	1300	3000k	>90



11" Trimless Surface Mounts

Single Kelvin Temperature



Model	Voltage	Watts	Lumens	Color	CRI
NW-TSM-11R-20W-30K-WH	120V	20w	1500	3000k	>90
NW-TSM-11R-20W-30K-BLK	120V	20w	1500	3000k	>90
NW-TSM-11R-20W-30K-BN	120V	20w	1500	3000k	>90



5" Square Surface Mount

- Edge-lit design provides even light distribution
- Check spec sheet for dimmer compatibility. Triac and 0-10V options are available.
- Work in 30/40 J-Box (0/10V Version only 40)
- Fixture is wet location rated
- Newly updated CCT switch, allows for installation into pancake J-box

5 Kelvin Selectable



Model	Voltage	Watts	Lumens	Color	CRI
NW-SMSQ-5-10W-5CT-WH	120V	10w	650	27/30/35/40/50k	>90



7" Square Surface Mount

5 Kelvin Selectable



Model	Voltage	Watts	Lumens	Color	CRI
NW-SMSQ-7-15W-5CT-WH	120V	15w	1000	27/30/35/40/50k	>90



12" Square Surface Mount

5 Kelvin Selectable



Model	Voltage	Watts	Lumens	Color	CRI
NW-SMSQ-12-22W-5CT-WH	120V	22w	1450	27/30/35/40/50k	>90



1x1 & 1x2 Surface Mount Panels

- Internal flicker-free triac-dimmable driver
- Included surface mount bracket mounts directly to j-box
- Edge-lit design provides diffuse, shadowless light
- Only 1" Thick in Size

5 Kelvin Selectable



Model	Voltage	Watts	Lumens	Color	CRI
NW-SM-1X1-5CT-18W-WH	120V	18w	1,500	27/30/35/40/50k	>80
NW-SM-1X2-5CT-22W-WH	120V	22w	2,000	27/30/35/40/50k	>80



Pre-installed Accessory Model	Description
Add '-EMB' to model #	Emergency Backup (External 25W)

*Custom finishes include bronze, black, gray, and custom. 7 Day lead time required. Please contact us for pricing based on qty. for custom finish orders.

1x4, 2x2, & 2x4 Surface Mount Panels

- Internal flicker-free 0-10V dimmable driver
- Included surface mount bracket mounts directly to 30 or 40 j-box
- Edge-lit design provides diffuse, shadowless light
- Only 1" thick in size!



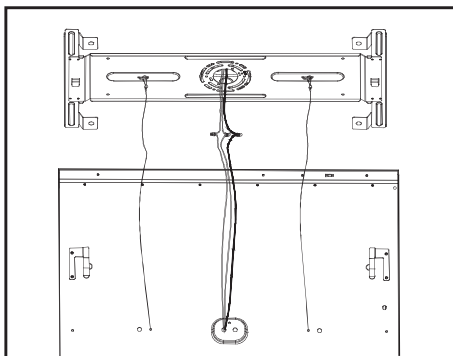
3 Kelvin Selectable

Model	Voltage	Watts	Lumens	Color	CRI
NW-SM-1X4-40W-3CT-UV-2P	120/277v	40w	4,000	30/40/50k	>80
NW-SM-2x2-40W-3CT-UV	120/277v	40w	4,000	30/40/50k	>80
NW-SM-2X4-3CT-50W-UV	120/277v	50w	5,000	30/40/50k	>80

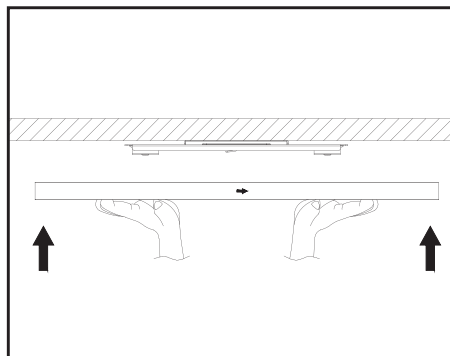


Pre-installed Accessory Model	Description
Add '-EMB' to model #	Emergency Backup (External 25W)

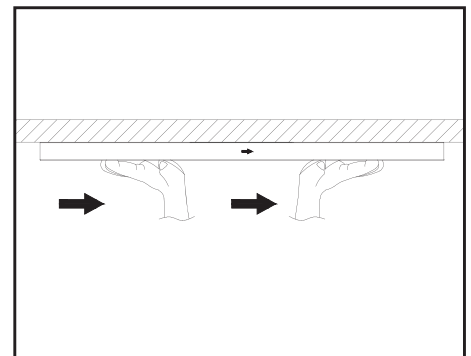
*Custom finishes include bronze, black, gray, and custom. 7 Day lead time required. Please contact us for pricing based on qty. for custom finish orders.



Once wiring has been installed into the fixture, identify and straighten out the 3 wires coming from the fixture to the junction box wires.



Put the mounting bracket into the panel light first, then aim the shrapnel on the back of the lamp, and put the panel light up.



The mounting bracket is pre-mounted to the shrapnel side of the panel light, simply lift and push flush with the ceiling moving accordingly to the direction indicated by the panel light.

1x4 Backlit Panels

- Flicker-free integrated driver, 0-10V dimmable
- Backlit design provides diffuse, shadowless light
- No UV, no RF, non-yellowing PMMA lens
- Powder-coated white frame

3 Kelvin & Wattage Selectable



Model	Voltage	Watts	Lumens	Color	CRI
NW-BL-1X4-20.30.40W-3CCT	120/277V	20/30/40w	130lm/w	35/40/50k	>80



Model	Voltage	Watts	Lumens	Color	CRI
NW-BL-1X4-40W-35K	120/277V	40w	5,200	3500k	>80
NW-BL-1X4-40W-40K	120/277V	40w	5,200	3500k	>80
NW-BL-1X4-40W-50K	120/277V	40w	5,200	4000k	>80
NW-BL-1X4-40W-30K	120/277V	40w	5,200	5000k	>80



Pre-installed Accessory Model	Description
Add '-EMB' to model #	Emergency Backup (External 15W)
Add '-BMS' to model #	Bi-Level Motion + Daylight Sensor

2x2 Backlit Panels

3 Kelvin & Wattage Selectable



Model	Voltage	Watts	Lumens	Color	CRI
NW-BL-2X2-20.30.40W-3CCT	120/277V	20/30/40w	130lm/w	35/40/50k	>80



Model	Voltage	Watts	Lumens	Color	CRI
NW-BL-2X2-40W-35K	120/277V	40w	5,200	3500k	>80
NW-BL-2X2-40W-40K	120/277V	40w	5,200	4000k	>80
NW-BL-2X2-40W-50K	120/277V	40w	5,200	5000k	>80



Pre-installed Accessory Model	Description
Add '-EMB' to model #	Emergency Backup (External 15W)
Add '-BMS' to model #	Bi-Level Motion + Daylight Sensor

2X4 Backlit Panels

3 Kelvin & Wattage Selectable



Model	Voltage	Watts	Lumens	Color	CRI
NW-BL-2X4-30.40.50W-3CCT	120/277V	30/40/50w	130lm/w	35/40/50k	>80



Model	Voltage	Watts	Lumens	Color	CRI
NW-BL-2X4-30.40.50W-3CCT	120/277V	50w	6,500	3500k	>80
NW-BL-2X4-30.40.50W-3CCT	120/277V	50w	6,500	4000k	>80
NW-BL-2X4-30.40.50W-3CCT	120/277V	50w	6,500	5000k	>80



Pre-installed Accessory Model	Description
Add '-EMB' to model #	Emergency Backup (External 15W)
Add '-BMS' to model #	Bi-Level Motion + Daylight Sensor

Watts	Lumens
20W	2,600
30W	3,900
40W	5,200
50W	6,500



Lumen Selection



Watt Selection



1x4 Edge Lit Panel

- LiFud-brand flicker-free integrated driver, 0-10V dimmable
- Edge-lit design provides diffuse, shadowless light
- No UV, no RF, non-yellowing PMMA lens
- Powder-coated white frame



Model	Voltage	Watts	Lumens	Color	CRI
NW-P-TROF-1x4-40W-30K	120/277V	40w	4,600	3000k	>80
NW-P-TROF-1x4-40W-35K	120/277V	40w	4,600	3500k	>80
NW-P-TROF-1x4-40W-40K	120/277V	40w	4,600	4000K	>80
NW-P-TROF-1x4-40W-50K	120/277V	40w	4,600	5000K	>80

Pre-installed Accessory Model	Description
Add '-EMB' to model #	Emergency Backup (External 15W)



2x2 Edge Lit Panel



Model	Voltage	Watts	Lumens	Color	CRI
NW-P-TROF-2x2-40W-30K	120-277V	40w	4,600	3000k	>80
NW-P-TROF-2x2-40W-35K	120-277V	40w	4,600	3500k	>80
NW-P-TROF-2x2-40W-40K	120-277V	40w	4,600	4000K	>80
NW-P-TROF-2x2-40W-50K	120-277V	40w	4,600	5000K	>80

Pre-installed Accessory Model	Description
Add '-EMB' to model #	Emergency Backup (External 15W)



2x4 Edge Lit Panel



Model	Voltage	Watts	Lumens	Color	CRI
NW-P-TROF-2x4-50W-30K	120-277V	50w	5,750	3000k	>80
NW-P-TROF-2x4-50W-35K	120-277V	50w	5,750	3500k	>80
NW-P-TROF-2x4-50W-40K	120-277V	50w	5,750	4000k	>80
NW-P-TROF-2x4-50W-50K	120-277V	50w	5,750	5000k	>80
NW-P-TROF-2x4-72W-40K	120-277V	72w	8,280	4000k	>80
NW-P-TROF-2x4-72W-50K	120-277V	72w	8,280	5000k	>80

Pre-installed Accessory Model	Description
Add '-EMB' to model #	Emergency Backup (External 15W)

2x2 Center Basket Troffer

- Flicker-free 0-10V dimmable internal driver
- Up to 56% higher efficiency than fluorescent
- PC body reduces risk of damage in transit and on jobsite
- Variable color temp. & brightness model available

4 Kelvin & Wattage Selectable



Model	Voltage	Watts	Lumens	Color	CRI
NW-TRF-2X2-4WC-4CT	120-277V	20/25/30/35w	130lm/w	30/35/40/50k	>80



Single Kelvin Temperature

Model	Voltage	Watts	Lumens	Color	CRI
NW-TRF-2X2-28W-35K	120-277V	28w	3,640	3500k	>80
NW-TRF-2X2-28W-40K	120-277V	28w	3,640	4000k	>80
NW-TRF-2X2-28W-50K	120-277V	28w	3,640	5000k	>80
NW-TRF-2X2-35W-35K	120-277V	35w	4,550	3500k	>80
NW-TRF-2X2-35W-40K	120-277V	35w	4,550	4000k	>80
NW-TRF-2X2-35W-50K	120-277V	35w	4,550	5000k	>80

Watts	Lumens
20W	2,600
25W	3,250
30W	3,900

2x4 Center Basket Troffer

4 Kelvin & Wattage Selectable



Model	Voltage	Watts	Lumens	Color	CRI
NW-TRF-2X4-4WC-4CT	120-277V	35/40/45/50w	130lm/w	30/35/40/50k	>80



Single Kelvin Temperature

Model	Voltage	Watts	Lumens	Color	CRI
NW-TRF-2X4-35W-35K	120-277V	35w	4,550	3500k	>80
NW-TRF-2X4-35W-40K	120-277V	35w	4,550	4000k	>80
NW-TRF-2X4-35W-50K	120-277V	35w	4,550	5000k	>80
NW-TRF-2X4-50W-35K	120-277V	50w	6,500	3500k	>80
NW-TRF-2X4-50W-40K	120-277V	50w	6,500	4000k	>80
NW-TRF-2X4-50W-50K	120-277V	50w	6,500	5000k	>80

Watts	Lumens
40W	5,200
45W	5,850



4 Ft T8 A+B LED Tube

- Install tubes with or without the existing ballast (single or double sided)
- See ballast compatibility chart to ensure compatibility.
- Light beam spread replicates the same look as a fluorescent, but with improved light output and efficiency
- PC film protectant for shatter protection (Food Industry OK)



Model	Voltage	Watts	Lumens	Color	CRI
NW-T8F-4-18W-30K	120-277V	18w	2,200	3000k	>80
NW-T8F-4-18W-35K	120-277V	18w	2,200	3500k	>80
NW-T8F-4-18W-40K	120-277V	18w	2,200	4000k	>80
NW-T8F-4-18W-50K	120-277V	18w	2,200	5000k	>80

Model	Description
LED-EMB-25W-HV-T8	Emergency Backup (External 25W)



4 Ft T5 Type A+B LED Tube

- Install tubes with or without the existing ballast (single or double sided)
- See ballast compatibility chart to ensure compatibility.
- Light beam spread replicates the same look as a fluorescent, but with improved light output and efficiency
- PC film protectant for shatter protection (Food Industry OK)



Model	Voltage	Watts	Lumens	Color	CRI
NW-T5F-4-24W-40K	120-277V	24w	3,200	4000k	>80
NW-T5F-4-24W-50K	120-277V	24w	3,200	5000k	>80



T8 Type A + B U-Shaped LED Bulbs

- Install tubes with or without the existing ballast (single or double sided)
- See ballast compatibility chart to ensure compatibility.
- Light beam spread replicates the same look as a fluorescent, but with improved light output and efficiency
- PC film protectant for shatter protection (Food Industry OK)



3 Kelvin Selectable

Model	Voltage	Watts	Lumens	Color	CRI
NW-T8U-DF-GL-22X6-15W-CTRI	120-277V	15w	1,950	35/40/50k	>80



Model	Voltage	Watts	Lumens	Color	CRI
NW-T8U-DF-GL-22X6-15W-40K	120-277V	15w	1,950	4000k	>80
NW-T8U-DF-GL-22X6-15W-50K	120-277V	15w	1,950	5000k	>80

2 Ft Round Strip Light

- Environmental friendly polyester powder coated
- Anti-rust durable plastic housing
- 50,000-hour LED lifespan based on IES LM-90 results
- Fixture can be surface mounted, wall mounted, or suspended

3 Kelvin Selectable



Model	Voltage	Watts	Lumens	Color	CRI
NW-2FT-RSL-20W-3CT	120-277V	20w	2,600	30/40/50k	>80
NW-2FT-RSL-20W-3CT-BMS	120-277V	20w	2,600	30/40/50k	>80



4 Ft Round Strip Light

3 Kelvin & Wattage Selectable



Model	Voltage	Watts	Lumens	Color	CRI
NW-4FT-RSL-40W3C-3CT	120-277V	20/30/40w	5,200/3,900/2,600	30/40/50k	>80
NW-4FT-RSL-40W3C-3CT-BMS	120-277V	20/30/40w	5,200/3,900/2,600	30/40/50k	>80
NW-4FT-RSL-40W3C-3CT-EMB	120-277V	20/30/40w	5,200/3,900/2,600	30/40/50k	>80
NW-4FT-RSL-40W3C-3CT-EMB-BMS	120-277V	20/30/40w	5,200/3,900/2,600	30/40/50k	>80



2 Ft & 4Ft Frosted LED Lens Wraps

- Lens is removeable for easy surface mount installation
- Sturdy aluminum housing prevents bending
- 0-10V Dimming for controls
- Fixture can be surface mounted, wall mounted, or suspended

5 Kelvin Selectable



Model	Voltage	Watts	Lumens	Color	CRI
NW-WRP-FR-4FT-48W-5CCT-UNV	120-277V	48w	5,040	27/30/35/40/50k	>80



Model	Voltage	Watts	Lumens	Color	CRI
NW-WRP-FR-2FT-20W-35K	120-277V	20w	2,200	3500k	>80
NW-WRP-FR-2FT-20W-40K	120-277V	20w	2,200	4000k	>80
NW-WRP-FR-2FT-20W-50K	120-277V	20w	2,200	5000k	>80
NW-WRP-FR-4FT-48W-35K	120-277V	48w	5,040	3500k	>80
NW-WRP-FR-4FT-48W-40K	120-277V	48w	5,040	4000k	>80
NW-WRP-FR-4FT-48W-50K	120-277V	48w	5,040	5000k	>80



1/2" Knockout

2 Ft Vapor Tight

- Environmental friendly polyester powder coated
- Anti-rust durable plastic housing
- 50,000-hour LED lifespan based on IES LM-90 results



3 Kelvin Selectable



Model	Voltage	Watts	Lumens	Color	CRI
NW-VPT-2-20W-3CCT	120-277V	20w	2200	30/40/50k	>80



Pre-installed Accessory Model	Description
Add '-BMS-' to model #	Bi-Level Motion + Daylight Sensor
Add '-EMB-' to model #	Emergency Backup (External 15W)
Add '-BMS-EMB' to model #	Motion Sensor + Emergency Backup

4 Ft Vapor Tight

3 Kelvin Selectable



Model	Voltage	Watts	Lumens	Color	CRI
NW-VPT-4-40W-3CCT	120-277V	40w	4400	30/40/50k	>80



Pre-installed Accessory Model	Description
Add '-BMS-' to model #	Bi-Level Motion + Daylight Sensor
Add '-EMB-' to model #	Emergency Backup (External 15W)
Add '-BMS-EMB' to model #	Motion Sensor + Emergency Backup



End Connectors

Daisy chain multiple fixtures

Edge-Lit Technology

Produces uniform, diffuse light

Hardware Knockouts

No external wiring necessary

- Toggles between selectable colors, as well as high & low light intensity modes
- Frosted lens will not yellow or deform over time
- Use jumper connectors to daisy-chain multiple fixtures
- Compatible with most dimmers (e.g. Lutron DVCL-153P)
- Install as a hardwire or use included power cord
- Built-in screws in the front make installation easy

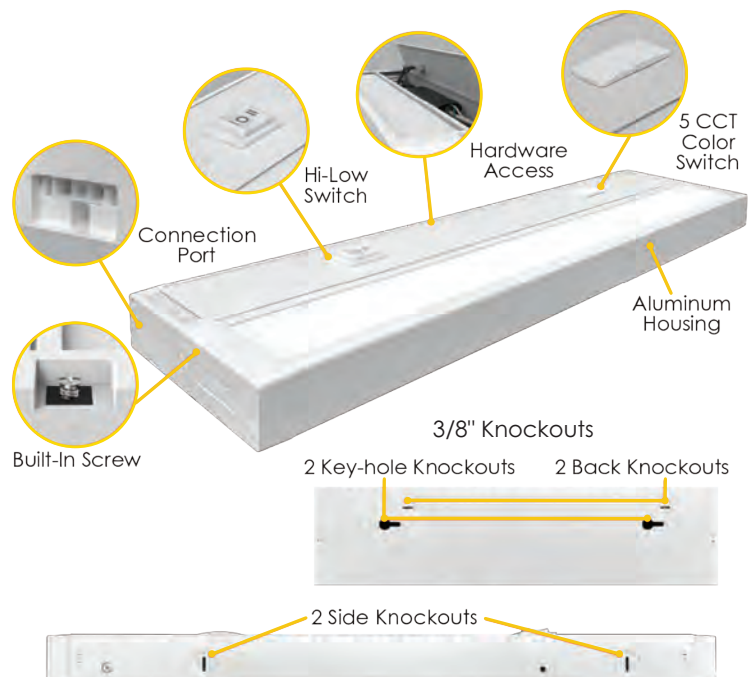
Undercabinet Fixtures

5 Kelvin Selectable



Model	Voltage	Watts	Lumens	Color	CRI
NW-CAB-11-6W-5CT-WH	120V	6w	350	27/30/35/40/50k	>90
NW-CAB-14-8W-5CT-WH	120V	8w	570	27/30/35/40/50k	>90
NW-CAB-22-10W-5CT-WH	120V	10w	750	27/30/35/40/50k	>90
NW-CAB-28-12W-5CT-WH	120V	12w	900	27/30/35/40/50k	>90
NW-CAB-42-18W-5CT-WH	120V	18w	1,250	27/30/35/40/50k	>90

Model	Voltage	Watts	Lumens	Color	CRI
NW-CAB-11-6W-5CT-BZ	120V	6w	350	27/30/35/40/50k	>90
NW-CAB-14-8W-5CT-BZ	120V	8w	570	27/30/35/40/50k	>90
NW-CAB-22-10W-5CT-BZ	120V	10w	750	27/30/35/40/50k	>90
NW-CAB-28-12W-5CT-BZ	120V	12w	900	27/30/35/40/50k	>90
NW-CAB-42-18W-5CT-BZ	120V	15w	1,050	27/30/35/40/50k	>90





LED Step Lights

- Available in white, bronze, or black finish
- 3 faceplates included in the box: horizontal angled louvre, vertical angled louvre, and flat frosted lens
- Rated for indoor and outdoor use (IP67)
- Non-dimmable

Box Qty: 24

Model	Voltage	Watts	Lumens	Color	CRI
NW-STEP-AGL-2W-27K-120V-WH	120V	2w	150	2700k	>90
NW-STEP-AGL-2W-27K-120V-BLK	120V	2w	150	2700k	>90
NW-STEP-AGL-2W-27K-120V-BZ	120V	2w	150	2700k	>90
NW-STEP-AGL-2W-30K-120V-WH	120V	2w	150	3000k	>90
NW-STEP-AGL-2W-30K-120V-BLK	120V	2w	150	3000k	>90
NW-STEP-AGL-2W-30K-120V-BZ	120V	2w	150	3000k	>90
NW-STEP-AGL-2W-40K-120V-WH	120V	2w	150	4000k	>90
NW-STEP-AGL-2W-40K-120V-BLK	120V	2w	150	4000k	>90
NW-STEP-AGL-2W-40K-120V-BZ	120V	2w	150	4000k	>90



LED ARCY Step Lights

- Available in white, brushed nickel and black
- Vertical (VT) or Horizontal (HZ) versions available
- Rated for indoor and outdoor use (IP67)
- Non-dimmable

Box Qty: 18

5 Kelvin Selectable

Model	Voltage	Watts	Lumens	Color	CRI
NW-STEP-ARC-3W-5CCT-HZ-WH	120V	3w	150	27/30/35/40/50K	>90
NW-STEP-ARC-3W-5CCT-VT-WH	120V	3w	150	27/30/35/40/50K	>90
NW-STEP-ARC-3W-5CCT-HZ-BLK	120V	3w	150	27/30/35/40/50K	>90
NW-STEP-ARC-3W-5CCT-VT-BLK	120V	3w	150	27/30/35/40/50K	>90
NW-STEP-ARC-3W-5CCT-HZ-BN	120V	3w	150	27/30/35/40/50K	>90
NW-STEP-ARC-3W-5CCT-VT-BN	120V	3w	150	27/30/35/40/50K	>90





Square Slim Canopy Light

- Rugged powder-coated die-cast aluminum housing
- Integrated heatsink
- Silicone seals inhibit moisture ingress

3 Kelvin Selectable & 3 Power Selectable



Model	Voltage	Watts	Lumens	Color	CRI
NW-SCP-3P60-TRI-WH	120-277V	25/40/60w	145lm/w	30/40/50k	>80
NW-SCP-3P60-TRI-BZ	120-277V	25/40/60w	145lm/w	30/40/50k	>80



*Custom finishes include white, black, gray, and custom. 7 Day lead time required. Please contact us for pricing based on qty. for custom finish orders.



Gas Station Canopy Light

Single CCT



Model	Voltage	Watts	Lumens	Color	CRI
NW-CP-150W-50K-WH	120-277V	150w	18,000lm	5000k	>80

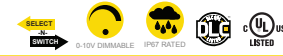




Wall Pack

- Thick glass lens wall pack will not yellow over time
- Fully weatherproof IP67-rated housing

3 Kelvin & 5 Wattage Selectable - Photocell Included



Model	Voltage	Watts	Lumens	Color	CRI
NW-MWP-5WC-3CT-PC	120/277V	20/40/60/80/100w	145 lm/w	30/40/50k	>80



Single Kelvin Temperature - Photocell Included



Model	Voltage	Watts	Lumens	Color	CRI
NW-MWP-60W-50K-PC	120/277V	60w	8,400	5000k	>80



Pre-Instaled Accessory Model	Description
Add '-EMB' to model #	Emergency Backup (Internal 20W)
Add '-PC' to model #	Photocell
Add '-BMS' to model #	Bi-Level Motion + Daylight Sensor



Slim Wall Pack

- Thick glass lens wall pack will not yellow over time
- Fully weatherproof IP67-rated housing

3-CCT & 5-Power Select w/ Photocell



Model	Voltage	Watts	Lumens	Color	CRI
NW-WPF-SL-3P60-TRI-BZ-UNV-PC	120-277V	60/40/30w	3,900/5,200/ 7,800	30/40/50k	>80
NW-WPF-SL-3P120-TRI-BZ-UNV-PC	120-277V	120/100/80w	10,400/13,000/15,600	30/40/50k	>80
NW-WPF-SL-3P60-TRI-BZ-HV-PC	277-480V	60/40/30w	3,900/5,200/ 7,800	30/40/50k	>80
NW-WPF-SL-3P120-TRI-BZ-HV-PC	277-480V	120/100/80w	10,400/13,000/15,600	30/40/50k	>80





Rotating Wall Pack, Single Module

- Optical lens on individual LED chips, full forward throw light
- Upgraded housing design includes back cover allowing for more installation applications
- Dark sky compliant
- Full 360° rotating in any angle
- Toolless rotation and locking system

3CCT Selectable



Model	Voltage	Watts	Lumens	Color	CRI
NW-ROTWP-25W-3CT-PC	120-277V	25w	3,600	30/40/50k	>80



Rotating Wall Pack, Double Module

3CCT Selectable



Model	Voltage	Watts	Lumens	Color	CRI
NW-ROTWP-60W-3CT-PC	120-277V	60w	8,200	30/40/50k	>80



Pre-Installed Accessory Model	Description
Add '-EMB' to model #	Emergency Backup (Internal 20W)
Add '-PC' to model #	Photocell
Add '-BMS' to model #	Bi-Level Motion Sensor

Full-Cutoff Wall Pack: Flat-FC Line

- Durable die-cast aluminum housing with integrated heatsink
- Optical lens on individual LED chips for full forward throw light
- Dark sky compliant
- Photocell is optional and can be disconnected.

3CCT & 5-Power Selectable with Photocell

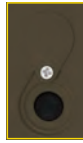


Model	Voltage	Watts	Lumens	Color	CRI
NW-WPFC-FL-5P60W-TRI-BZ-PC	120-277V	20/30/40/50/60w	2900/4350/5800/7250/8700	30/40/50k	>80
NW-WPFC-FL-5P120W-TRI-BZ-PC	120-277V	80/90/100/110/120w	11600/13050/14500/15950/17400	30/40/50k	>80





KN-
Knuckle



3 CCT
Button



KN-
Knuckle



3 CCT
Button

Flood Lights

- Knuckle option is 1/2"
- All bracket options fully adjust up and down
- Corrosion-resistant bronze powder coat
- Full weatherproof IP67 Rating Housing

15W 3 Kelvin Selectable



Model	Voltage	Watts	Lumens	Color	CRI
NW-SFL-15W-3CT-KN-BZ	120-277V	15w	1,947	30/40/50k	>80
NW-SFL-15W-3CT-KN-WH	120-277V	15w	1,947	30/40/50k	>80



30W 3 Kelvin Selectable



Model	Voltage	Watts	Lumens	Color	CRI
NW-SFL-30W-3CT-KN-BZ	120-277V	30w	3,819	30/40/50k	>80
NW-SFL-30W-3CT-KN-WH	120-277V	30w	3,819	30/40/50k	>80



50W 3 Kelvin Selectable



Model	Voltage	Watts	Lumens	Color	CRI
NW-SFL-50W-3CT-KN-BZ	120-277V	50w	7,048	30/40/50k	>80
NW-SFL-50W-3CT-KN-WH	120-277V	50w	7,048	30/40/50k	>80



90W 3 Kelvin Selectable



Model	Voltage	Watts	Lumens	Color	CRI
NW-SFL-90W-3CT-KN-BZ	120-277V	90w	11,200	30/40/50k	>80
NW-SFL-90W-3CT-KN-WH	120-277V	90w	11,200	30/40/50k	>80



1/2" Knuckle Mount

LED Bullet Flood Light

- 40° Beam Spread
- All bracket options fully adjust up and down
- IP65 Wet Location Rated
- 1/2" Knuckle Mount Included
- Optics on lens allows for consistent beam angle
- Bracket allows for full adjustability

3CCT Selectable



Model	Voltage	Watts	Lumens	Color	CRI
NW-BLT-25W-3CT-KN-BZ	120-277V	25w	3500	30/40/50k	>80





2ft
with
Motion
Sensor

4ft

Watts	Lumens
110W	15,950
165W	23,925

Highbay

- 0-10V dimmable integrated driver
- Optional internally-mounted motion sensor
- High voltage (300-480V) driver available

3 Power Selectable - 6' Whip Included



Model	Voltage	Watts	Lumens	Color	CRI
NW-HB-L-110-2F-50K	120-277V	60/80/110w	145lm/w	5000k	>80
NW-HB-L-165-2F-50K	120-277V	125/150/165w	145lm/w	5000k	>80



Round UFO Highbay

- 0-10V dimmable integrated driver
- Durable die-cast aluminum housing
- IP-67 fully waterproof for hosing down



Model	Voltage	Watts	Lumens	Color	CRI
NW-UFO-100W-50K-BLK	120-277V	100w	130lm/w	35/40/50k	>80
NW-UFO-150W-50K-BLK	120-277V	150w	130lm/w	35/40/50k	>80
NW-UFO-240W-50K-BLK	120-277V	240w	130lm/w	35/40/50k	>80

Watts	Lumens
60W	7,800
100W	13,000
150W	19,500
180W	23,400
210W	27,300
240W	31,200



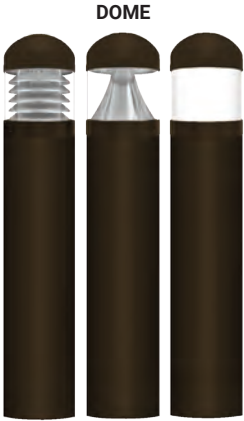
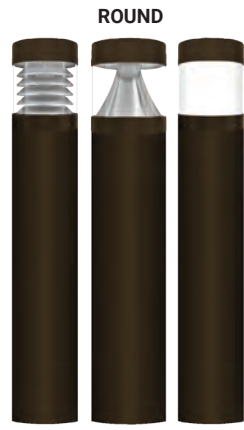
Motion Sensor



Emergency Backup

Pre-installed Accessory Model	Description
Add '-BMS' to model #	Bi-Level Motion + Daylight Sensor
Add '-EMB' to model #	Emergency Backup (External 15W)
Add '-HV' to model #	347-480V Driver for Fixture
Add '-SBT' to model #	Bluetooth Control





Round Bollard Base

- 5 different head options
- Round Version: Base and head sold separately
- Square Version: Head and base sold as a set

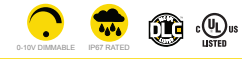
3 Power Select / Order Your Base



Model	Voltage	Watts	Lumens	CRI
BLD-3P22-RD-UNV-BZ-22	120-277V	12/16/22w	1560/2080/2860	>80
BLD-3P22-RD-UNV-BL-22	120-277V	12/16/22w	1560/2080/2860	>80
BLD-3P22-RD-UNV-BZ-44	120-277V	12/16/22w	1560/2080/2860	>80
BLD-3P22-RD-UNV-BL-44	120-277V	12/16/22w	1560/2080/2860	>80

Round Bollard Head

5CCT Selectable / Order Your Head



Model	Voltage	Watts	Lumens	Color	CRI
NW-BLD-RD-5CCT-CN-DM-BZ	120-277V	12/16/22w	1560/2080/2860	27/30/35/40/50K	>80
NW-BLD-RD-5CCT-CN-DM-BL	120-277V	12/16/22w	1560/2080/2860	27/30/35/40/50K	>80
NW-BLD-RD-5CCT-LV-DM-BZ	120-277V	12/16/22w	1560/2080/2860	27/30/35/40/50K	>80
NW-BLD-RD-5CCT-LV-DM-BL	120-277V	12/16/22w	1560/2080/2860	27/30/35/40/50K	>80
NW-BLD-RD-5CCT-CN-FL-BZ	120-277V	12/16/22w	1560/2080/2860	27/30/35/40/50K	>80
NW-BLD-RD-5CCT-CN-FL-BL	120-277V	12/16/22w	1560/2080/2860	27/30/35/40/50K	>80
NW-BLD-RD-5CCT-LV-FL-BZ	120-277V	12/16/22w	1560/2080/2860	27/30/35/40/50K	>80
NW-BLD-RD-5CCT-LV-FL-BL	120-277V	12/16/22w	1560/2080/2860	27/30/35/40/50K	>80

Square Bollard (Base & Head Included)

Factory Installed Frosted Lens Available: BLD-RD-FRL



Model	Voltage	Watts	Lumens	Color	CRI
NW-BLD-3P22-SQ-5CCT-UNV-CN-FL-BZ-44	120-277V	22/16/12w	1560/2080/2860	27/30/35/40/50K	>80
NW-BLD-3P22-SQ-5CCT-UNV-CN-FL-BL-44	120-277V	22/16/12w	1560/2080/2860	27/30/35/40/50K	>80

SQUARE FLAT



CONE

ROUND DOME



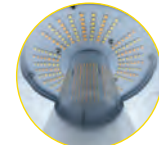
LOUVER



CONE



FROSTED LENS



CONE LENS LED

ROUND FLAT



LOUVER



CONE



FROSTED LENS



LOUVER LENS LED

BL-BLACK

Post Top Fixture - Photocell Included

- Foldable design for easy stocking and transportation
- Dark sky compliant

3CCT Selectable



Model	Voltage	Watts	Lumens	Color	CRI
NW-PST-35W-PCO-TRI	120-277V	35w	4,550	30/40/50k	>80
NW-PST-55W-PCO-TRI	120-277V	55w	7,150	30/40/50k	>80
NW-PST-75W-PCO-TRI	120-277V	75w	9,750	30/40/50k	>80

Pre-installed Accessory Model	Description
Add '-EMB' to model #	Emergency Backup (Internal 15W)
Add '-BMS' to model #	Bi-Level Motion + Daylight Sensor
Add '-PC' to model #	Photocell



NUWATT[®] ⚡