

VIVID NEON™

RGB COLOR CHANGING

ROPE LIGHTS INSTRUCTIONS



360° CONTROL



CONTENTS

Disclaimer

01

Warranty

01

Warning

02

Performance

02

Accessories

03

**Controller
Set Instructions**

04

**Cutting
Instructions**

07

**Powering
Instructions**

08

**Waterproofing
Instructions**

09

Troubleshooting

10



DISCLAIMER

ETL STATEMENT

Dear customer, these instructions are suggested installation procedures only, they do not constitute professional installation and may not necessarily meet all electrical requirements in your state. Please be reminded that our products covered by our ETL report are not intended to be field cutting or splicing. GZBtech assume no liabilities occur from improper installation including incorrect cutting, splicing and damaged waterproof insulation etc.

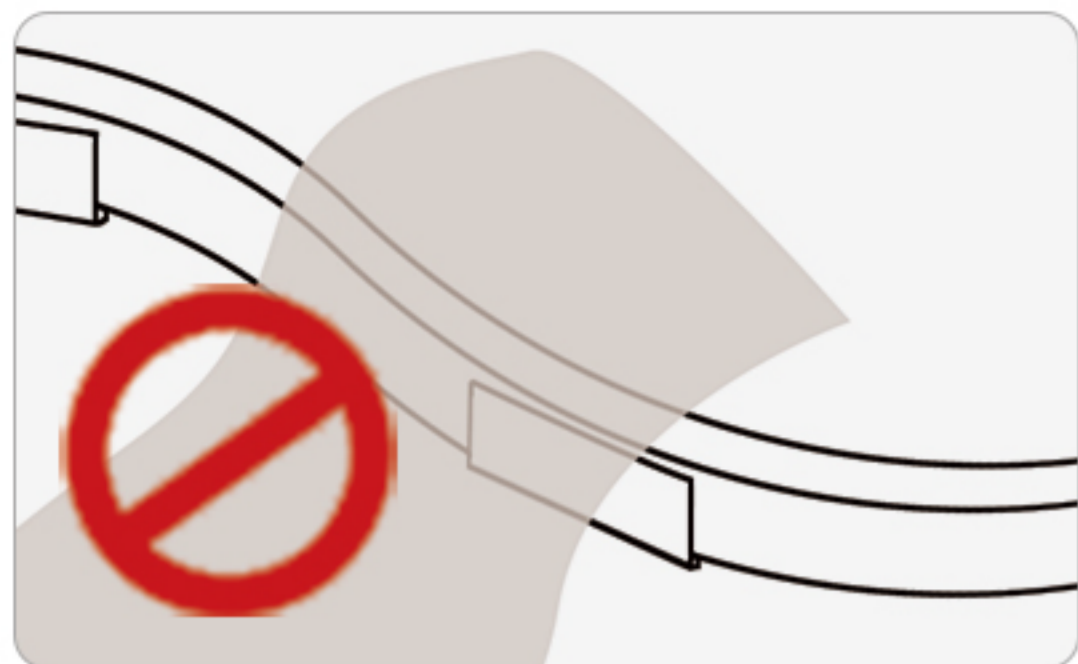
FCC STATEMENT

This device complies with Part 15 of the FCC Rules. Operation is subject to the following two conditions: (1) this device may not cause harmful interference, and (2) this device must accept any interference received, including interference that may cause undesired operation. (FCC ID: 2A4VG-RFCONTROLLER)

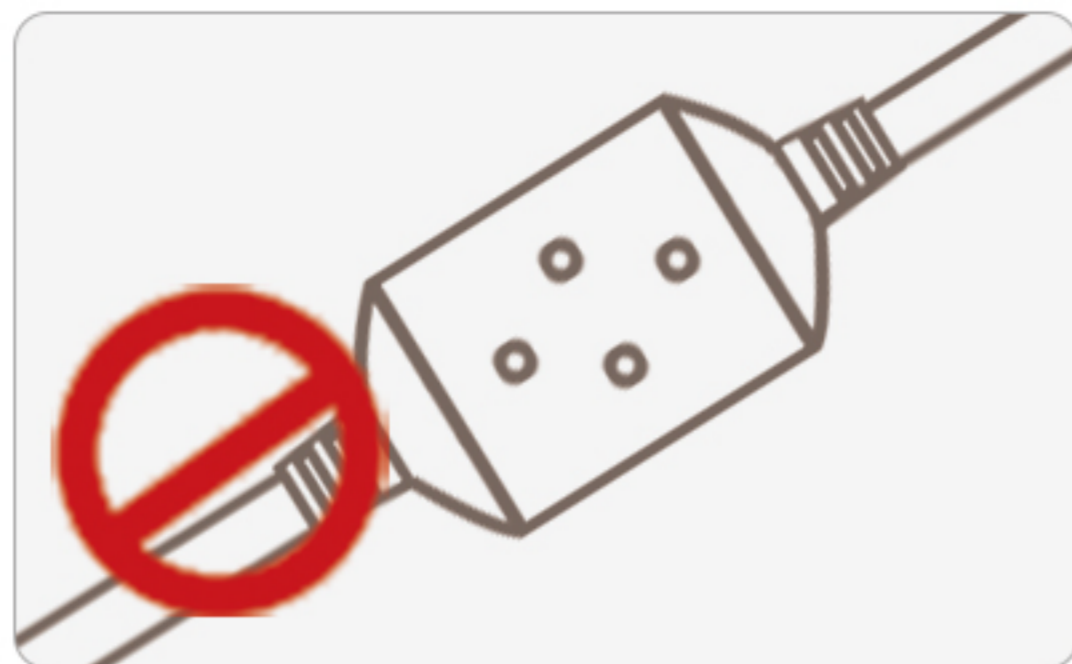
WARRANTY

All of our products are warranted against defects in materials and workmanship for a period of one year from the date of original purchase. We provide 1 month hassle-free full refund, 6 months money back or free replacement and 12 months limited warranty.

WARNING



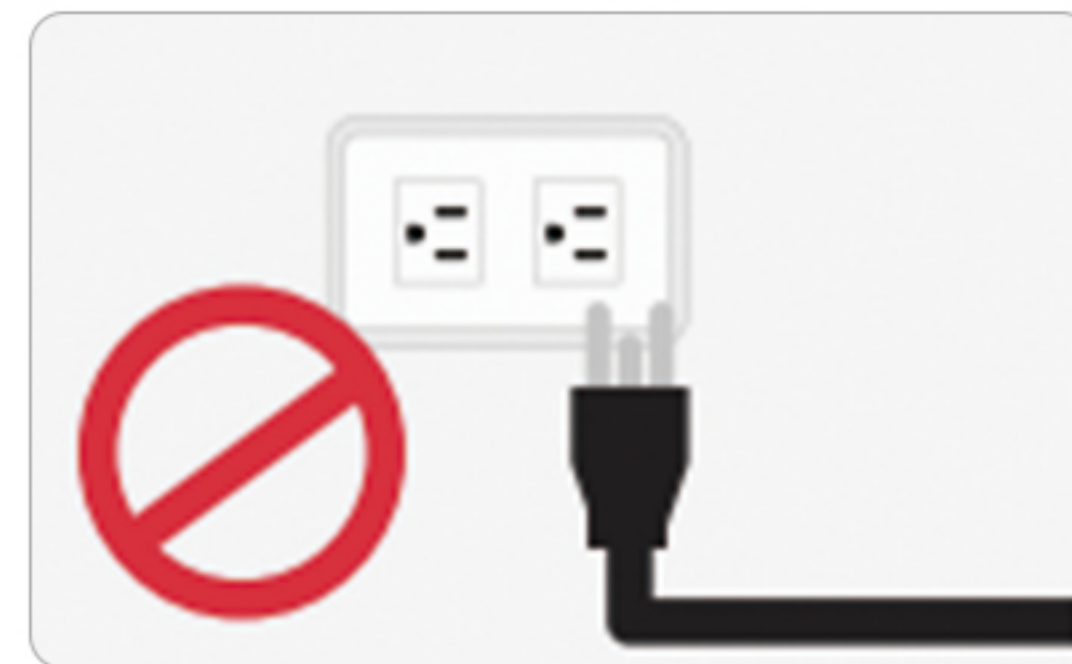
1. Do not cover this product as the covering may cause the light to overheat and melt or ignite.



2. Always keep the rectifier/controller on power wire, don't remove it. We do not recommend customers to cut, shorten, or splice the light before consulting a qualified electrician.



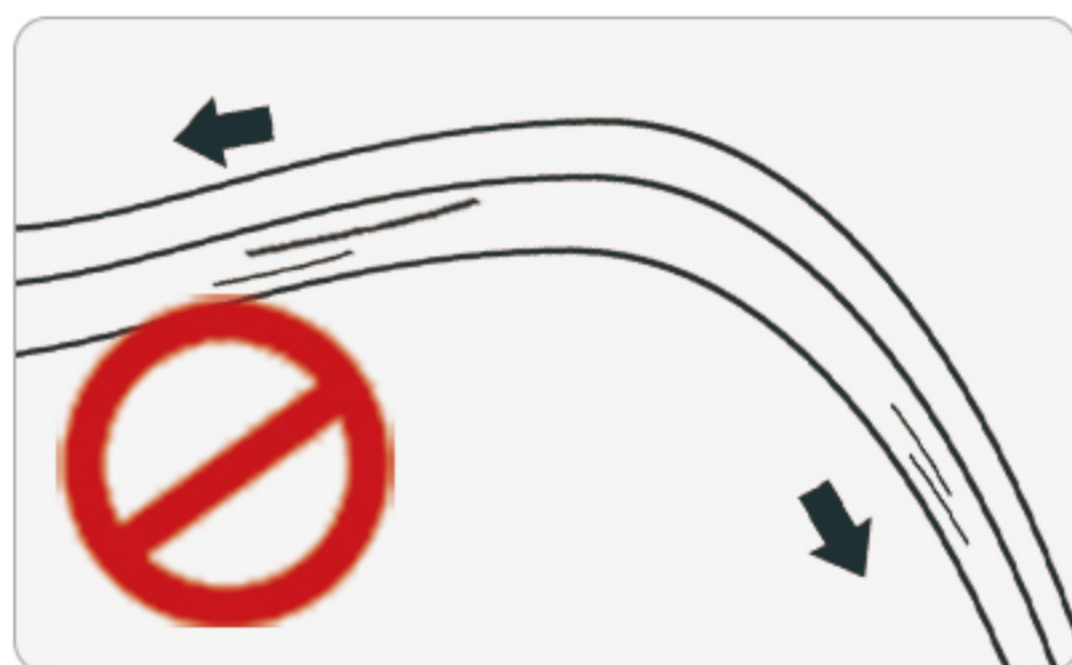
3. Unroll the light before lighting it up. Or else it might melt the rope light and even cause a fire.



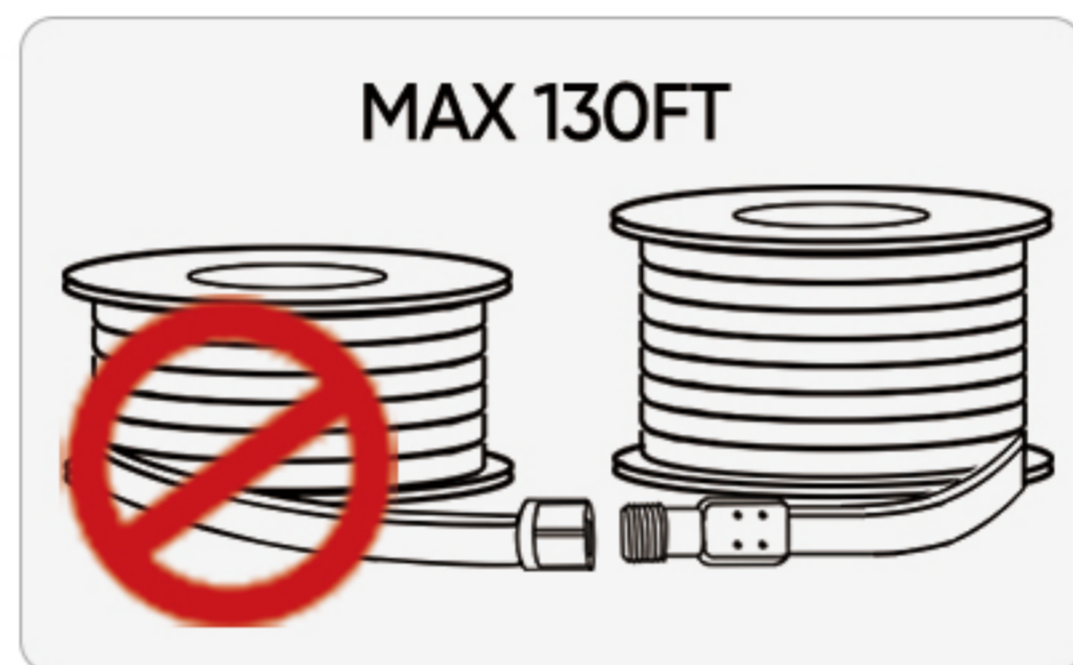
4. Unplug the light before installing or replacing fuses.



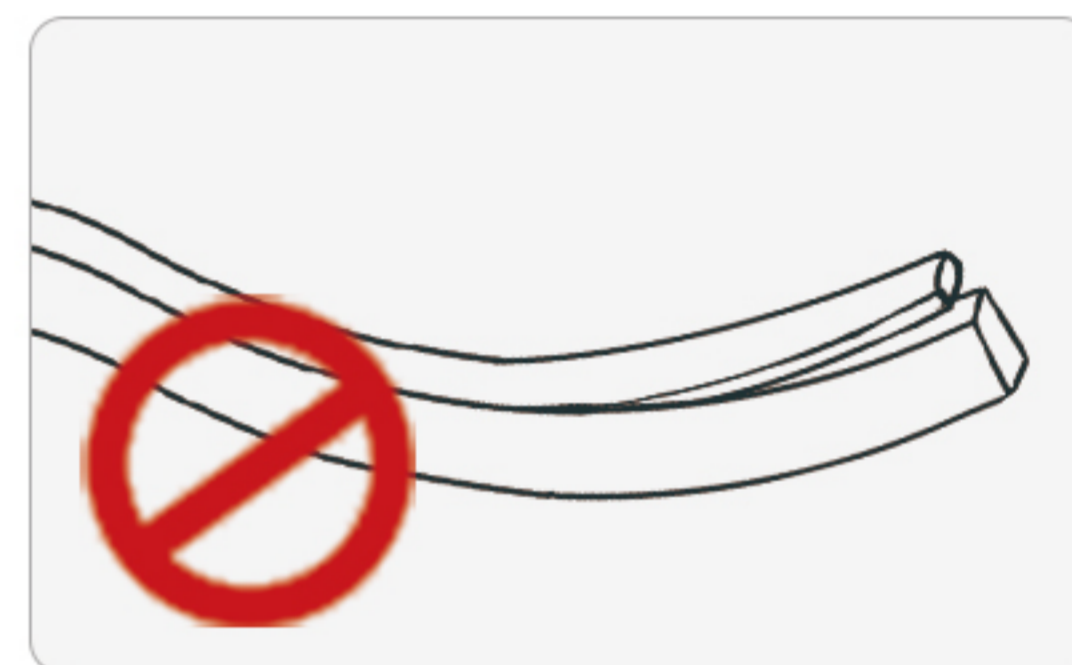
5. Do not submerge the light in liquids. Connections are non-waterproof yet. Keep all connections away from water and moisture to prevent circuit damage which can lead to fires.



6. Do not pull on or stretch rope light as this will damage the inner wires, causing sections to fail.



7. Do not connect together more than 130ft per power supply to avoid overloading electrical circuits.



8. Do not mount or support the light in a manner that can damage the outer jacket or cord insulation. Inspect periodically.

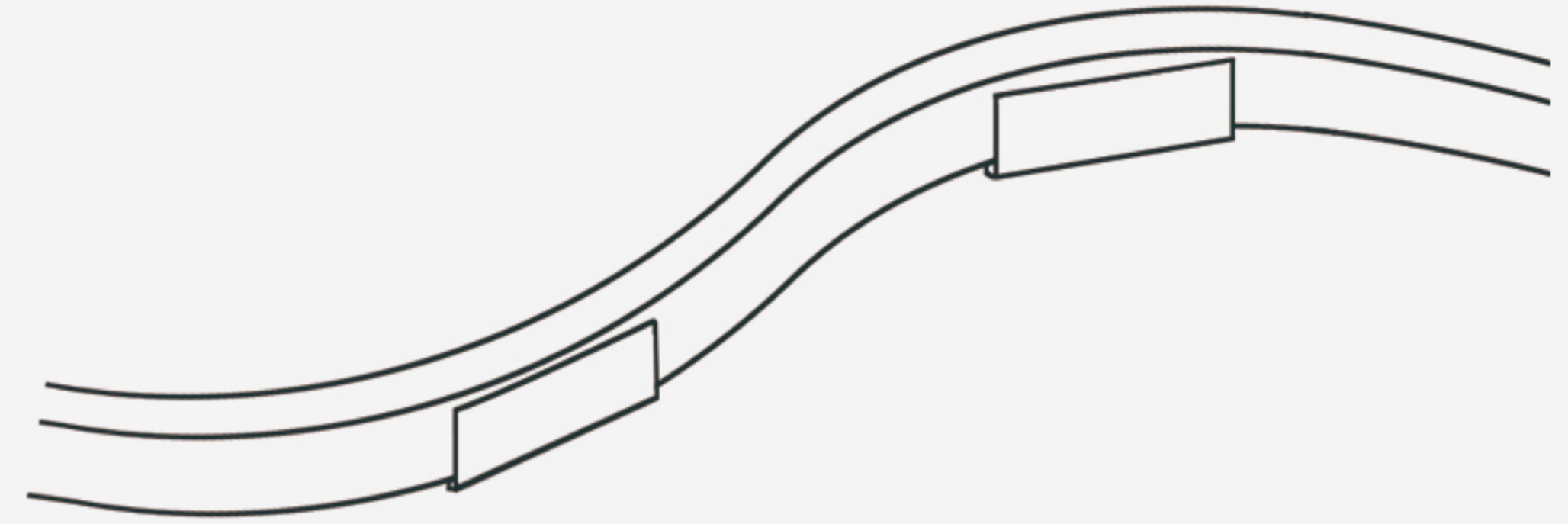
PERFORMANCE

Voltage	120V	LED Type	5050 SMD
Power Consumption	2.6W/FT	Cutting Interval	1M
Color	RGB	IP Rating	IP65 (Connections are non-waterproof)
LED Density	80 LEDs/M	Application	Decorative Ambient Lighting

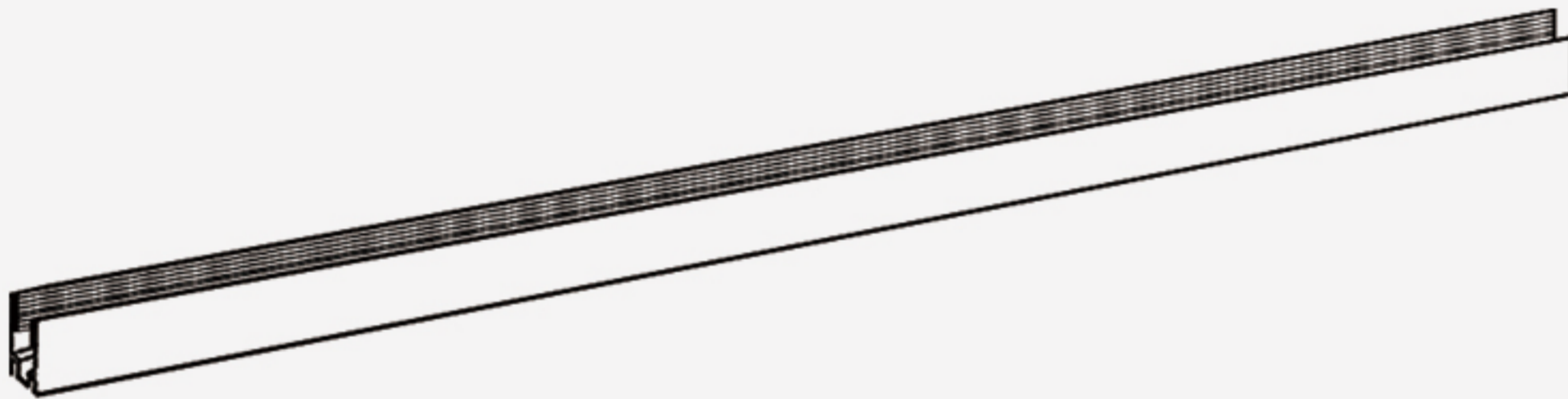
FOR CURVE MOUNTING



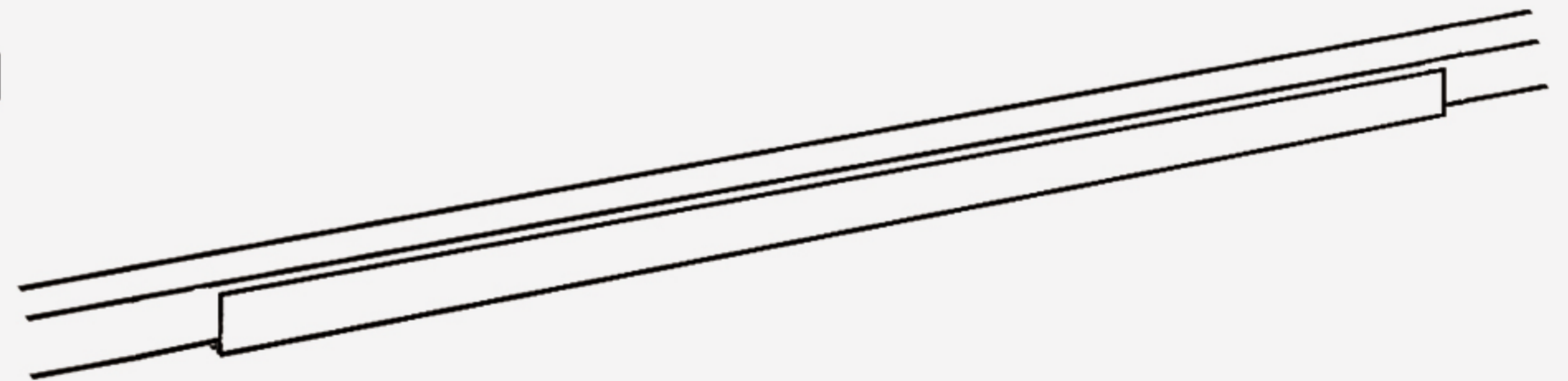
Aluminum Mounting Clips



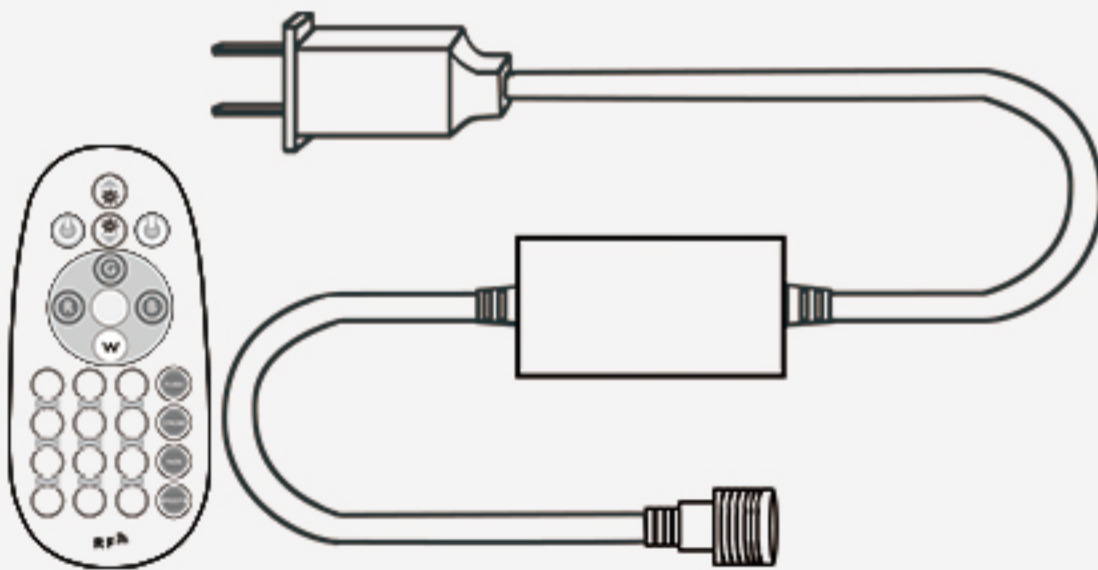
FOR STRAIGHT MOUNTING ALUMINUM CHANNEL



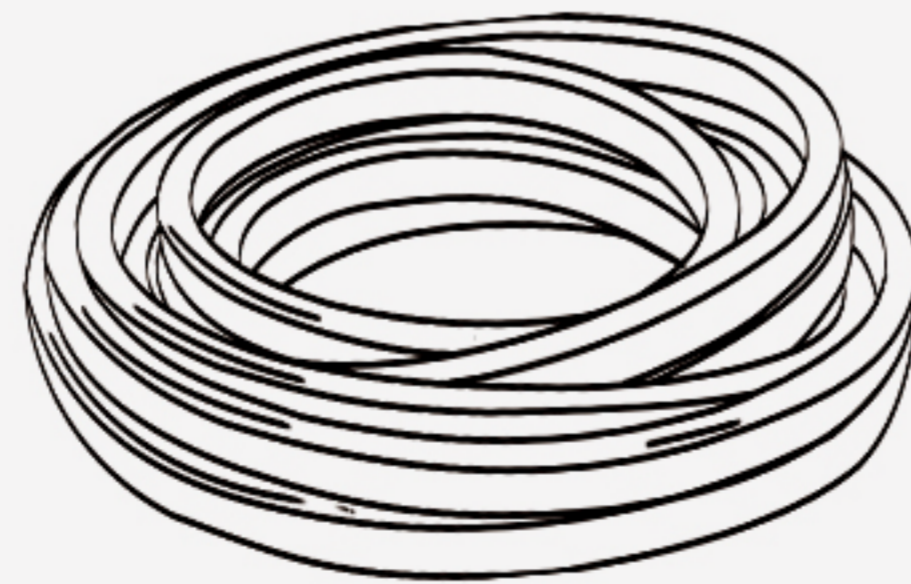
Aluminum Channel



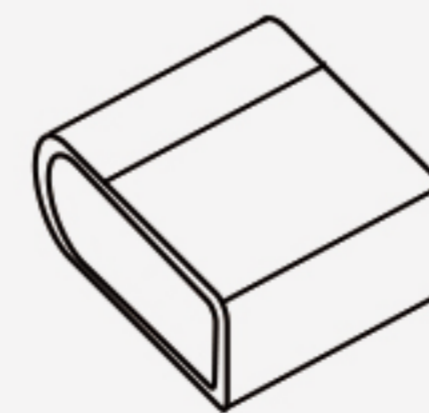
FOR POWERING MORE SECTIONS



RGB Controller



Light



End Cap



Heat Shrink Tube

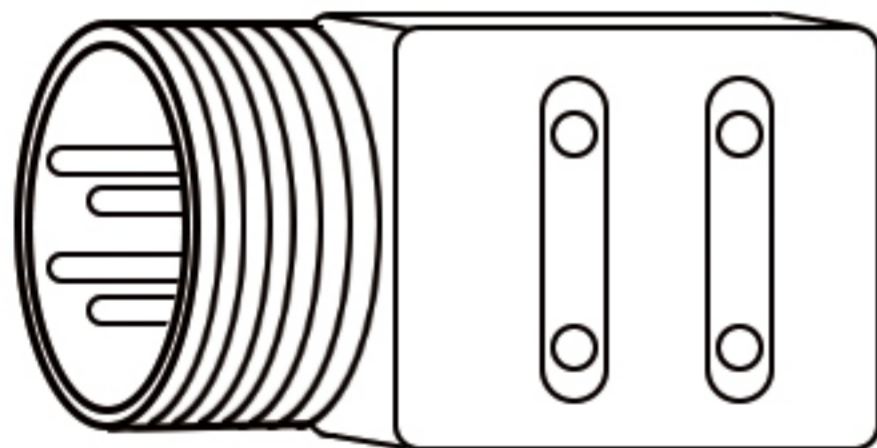
WARNING

1. Risk of electric shock! Turn off power before installation.
2. Do not exceed 130ft in one continuous run.
3. Lights are wet rated, but not submersible. All connections are not sealed by factory and must be sealed by sealant and heat shrink tube before used outdoors.

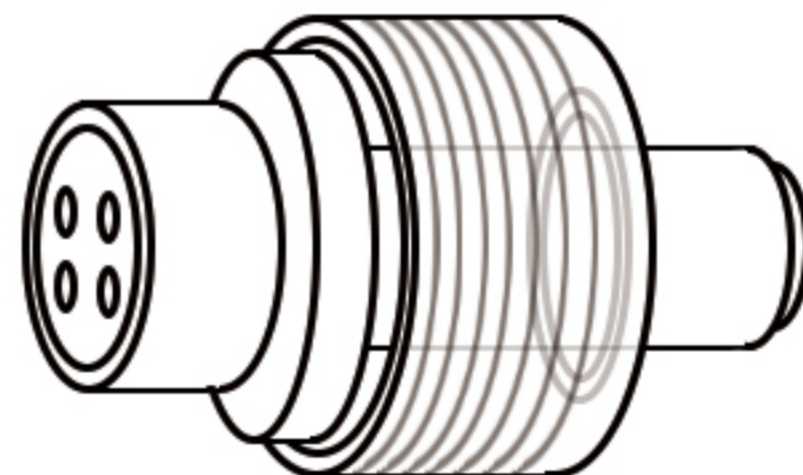
CONTROLLER INFORMATION

Power	400W	Fuse	8A
Max. Run Length	130FT	Group Control	Supported
Input Voltage	AC 120V	Control Type	Radio Frequency
Output Voltage	DC 120V	Wet Rated	Yes, but connections are non-waterproof.

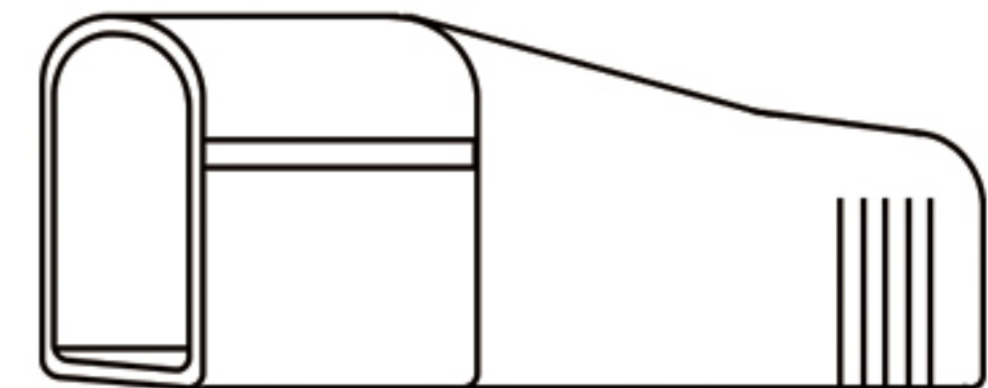
CONNECTOR GUIDE



Male Connector



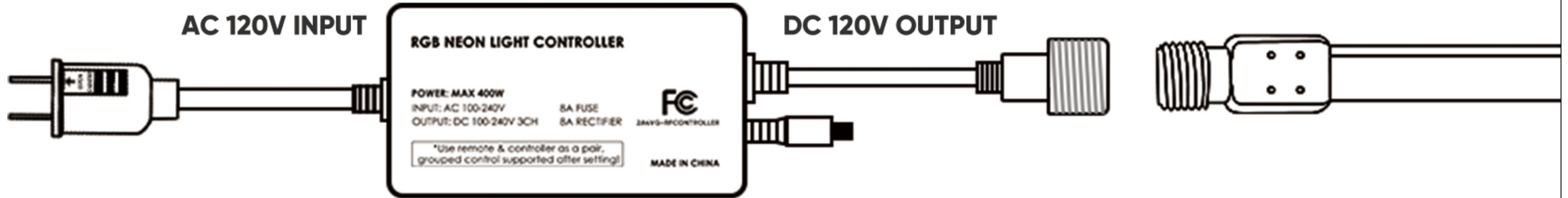
Female Connector



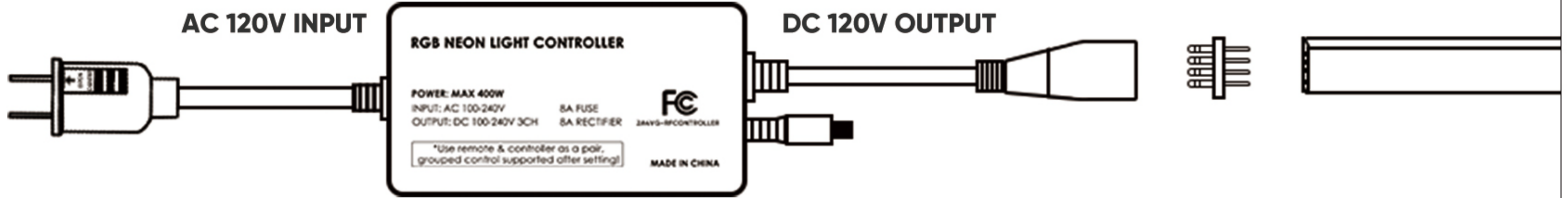
Pin Connector

CONTROLLER INSTALLATION

FEMALE TO MALE CONNECTION



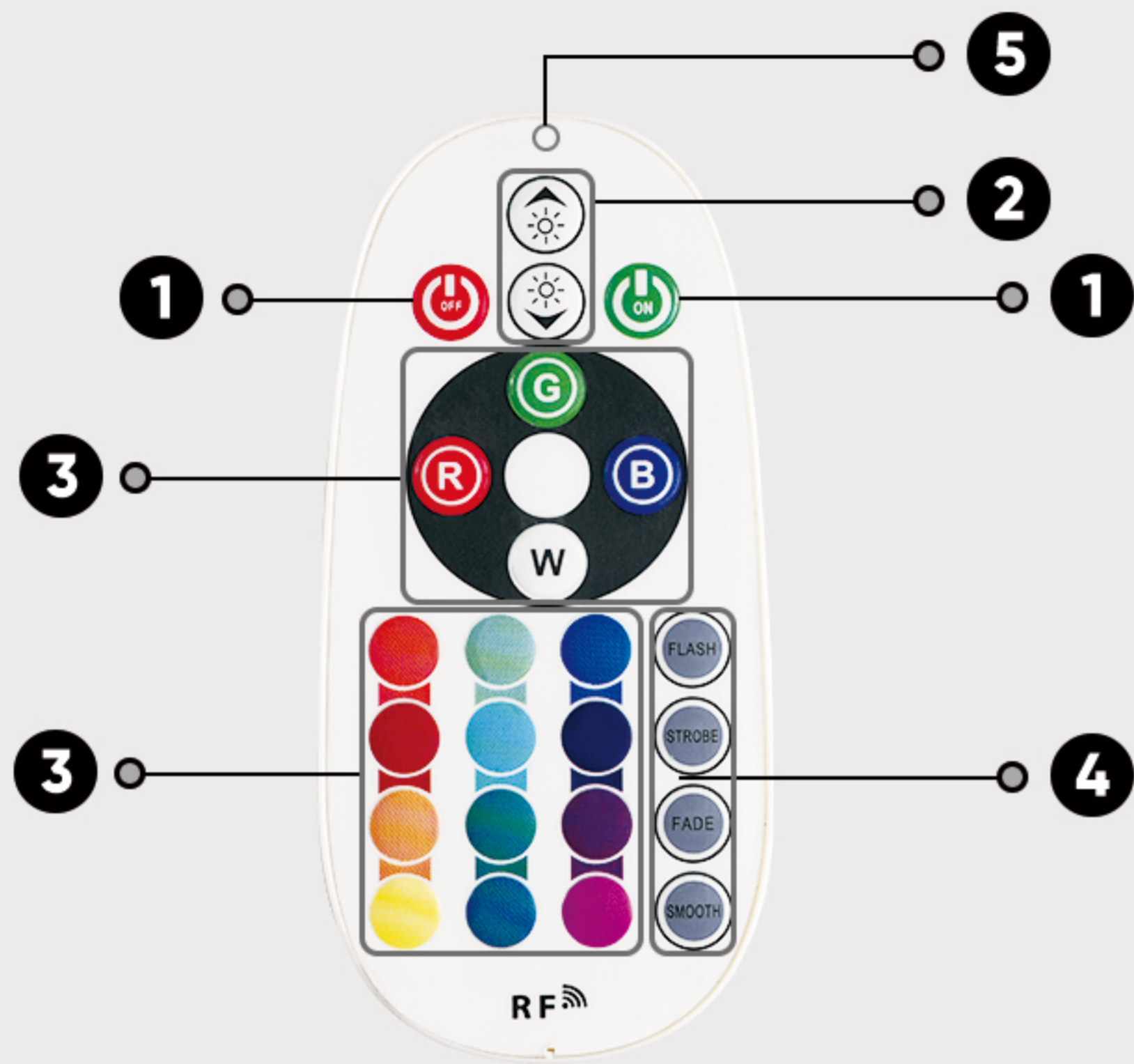
PIN CONNECTION



REMOTE INFORMATION

Model	2A4VG-RFCONTROLLER	Remote Frequency	433MHz
Static Color	16 Colors	Remote Distance	Up to 20 Meters
Dynamic Mode	4 Modes	FCC ID	2A4VG-RFCONTROLLER
Battery	2 AAA Batteries (not included)	Group Control	Supported

REMOTE FUNCTIONS



1 TURN ON / OFF

Press 'On' key to turn on unit or press 'Off' key to turn off. Retains last setting between power off and power on.

2 INCREASE / DECREASE BRIGHTNESS LEVEL

Increases(+) or decreases(-) the brightness of the currently active static color.

3 SELECT STATIC COLOR

Activates the static color indicated by the button color.

4 SELECT DYNAMIC MODES

Dynamic modes feature a variety of static color transitions and patterns.

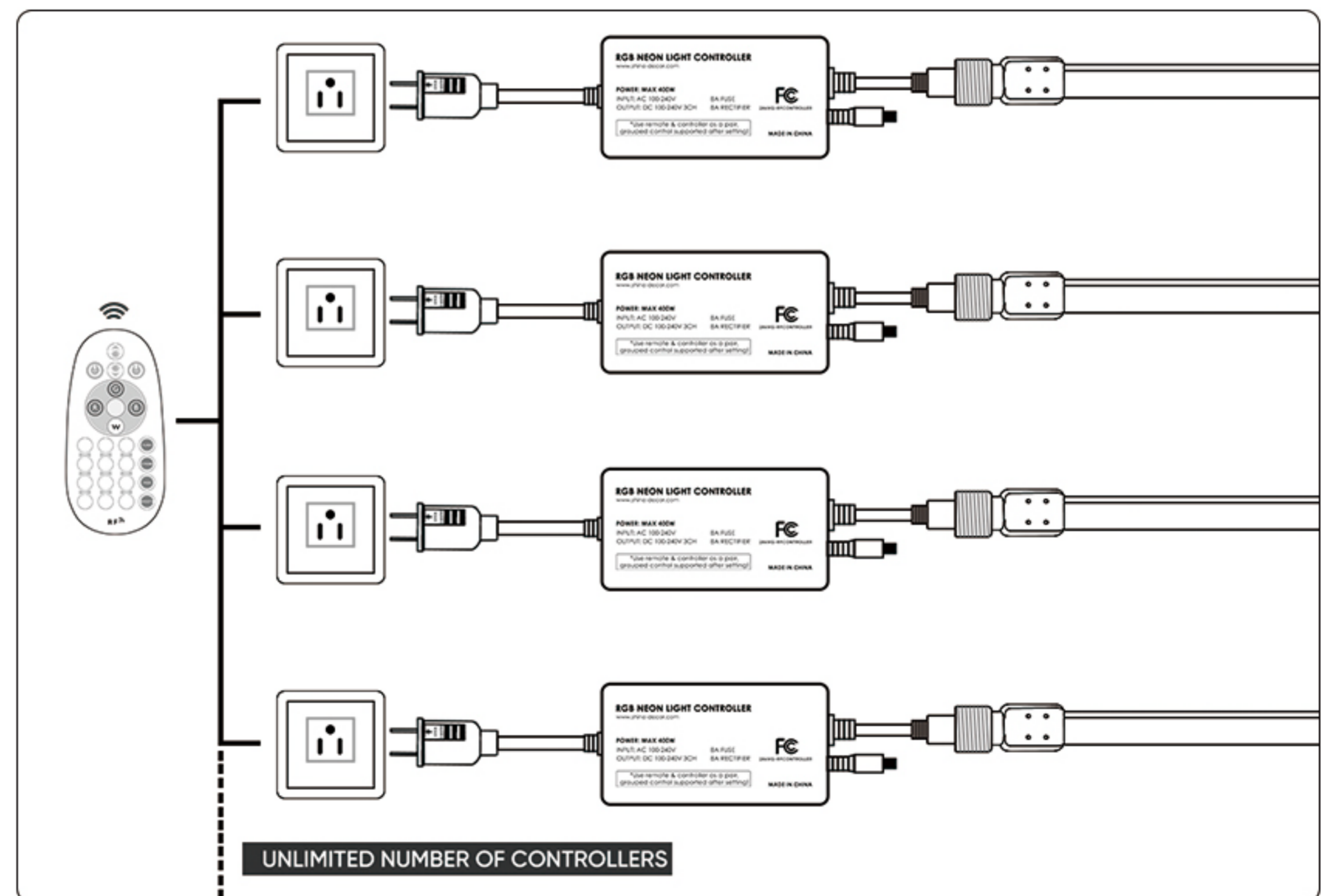
5 REMOTE LED INDICATOR

Flashes red when remote is operating to indicate that remote is functioning properly.

REMOTE PAIRING INSTRUCTIONS

Each individual wireless remote can be assigned to an unlimited number of controllers. The following steps show how to assign a new remote to the LED Controller:

1. Disconnect the power to the controller.
2. Hold down the brightness increase button for 5 seconds.
3. Reconnect the power to the controller.
4. LED Light unit will flash indicating the new wireless remote has been successfully assigned.



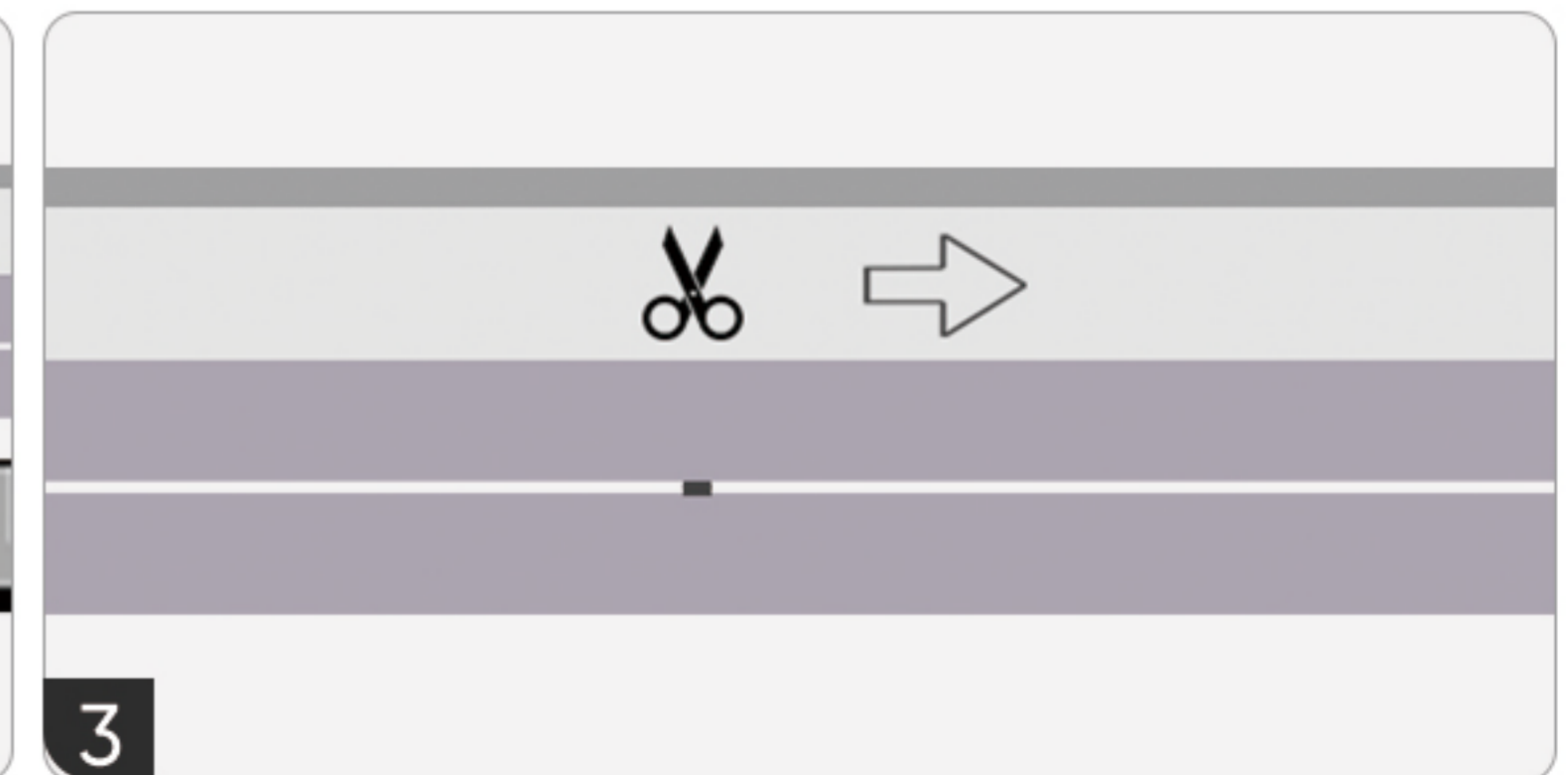
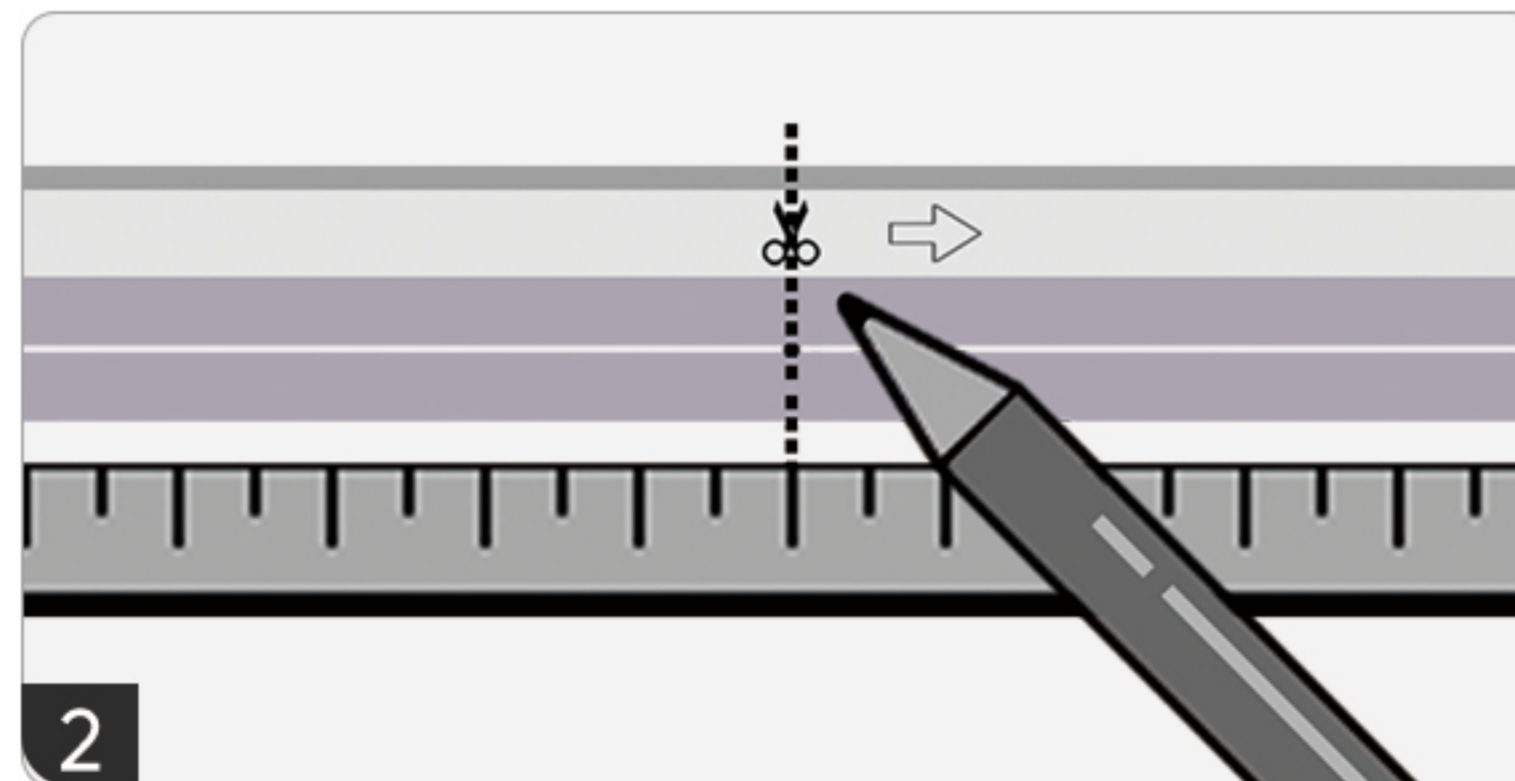
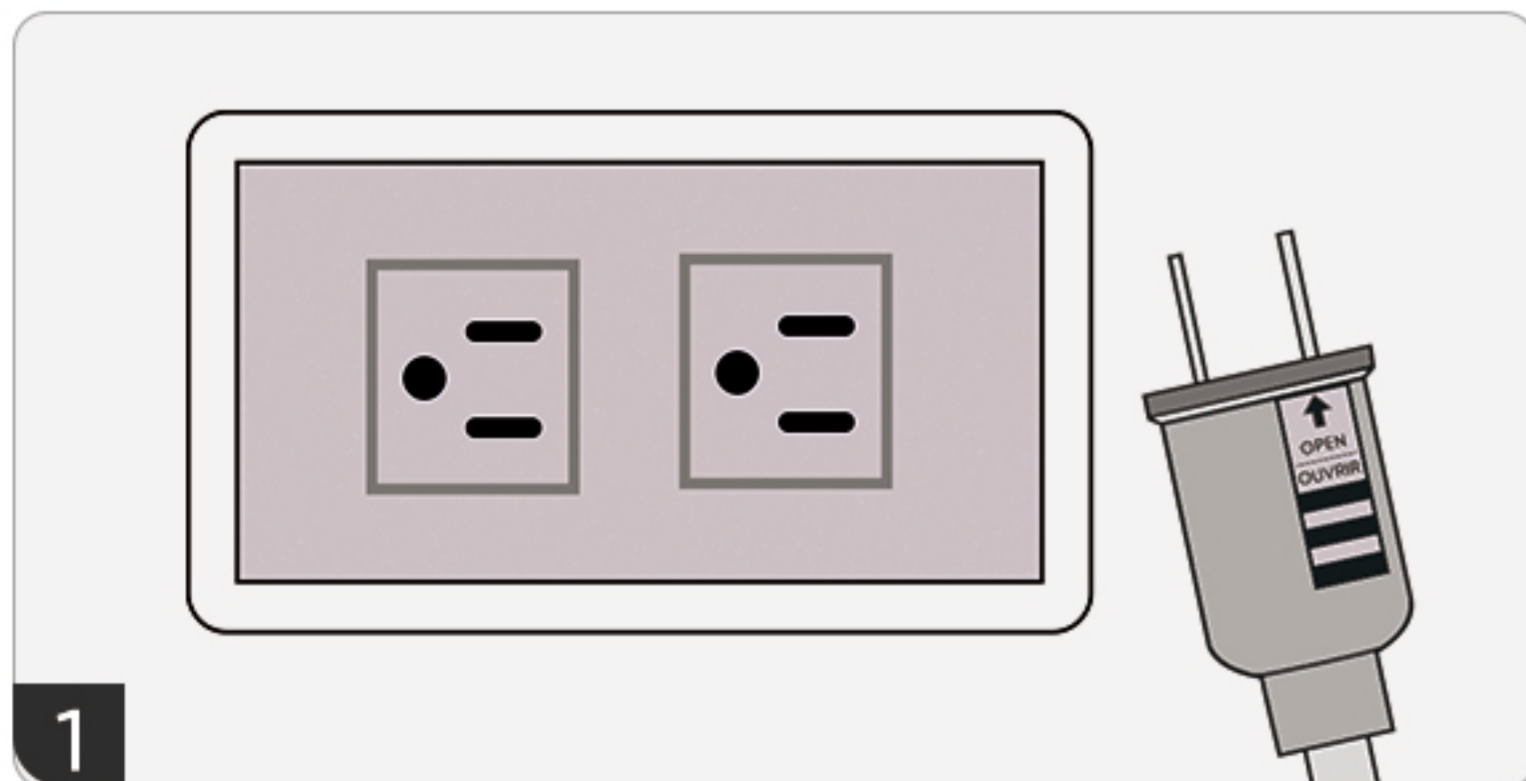
CUTTING INSTRUCTIONS

Although all of our strip light can be cut every cuttable interval, we do not recommend cutting for the following reasons:

1. Cutting the rope light voids any certification the product have had in it's pre-modified state.
2. Cutting or damaging outer plastic tubing can cause an electrical/ fire hazard.
3. Cutting anywhere besides the cut marks will damage that section of rope light and cause it to fail.

However, we still provide step-by-step guidance on how to safely cut rope light without damaging it and making it work for your specific needs. Please follow these steps as strictly as possible.

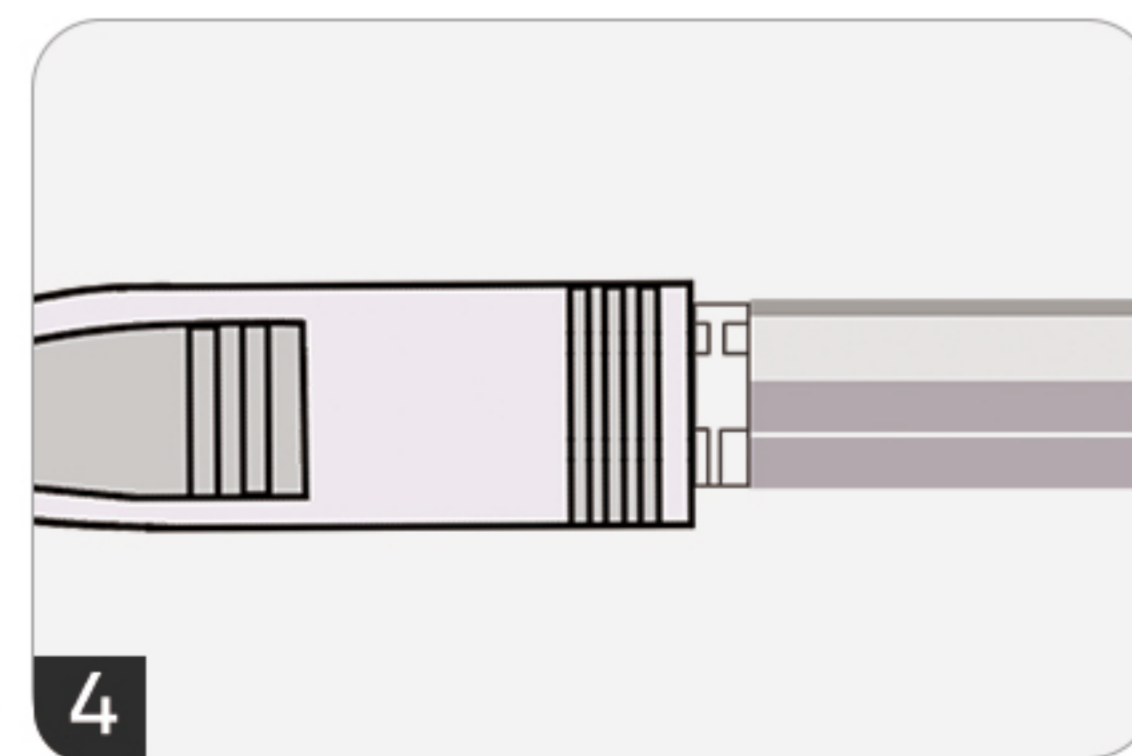
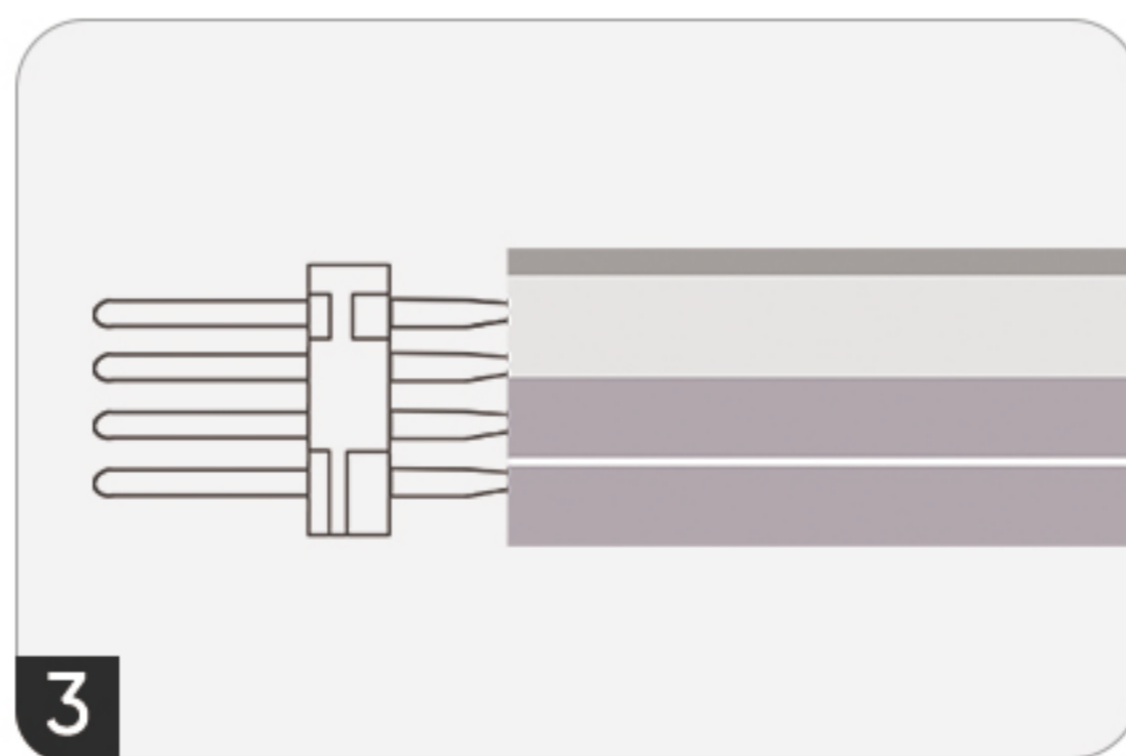
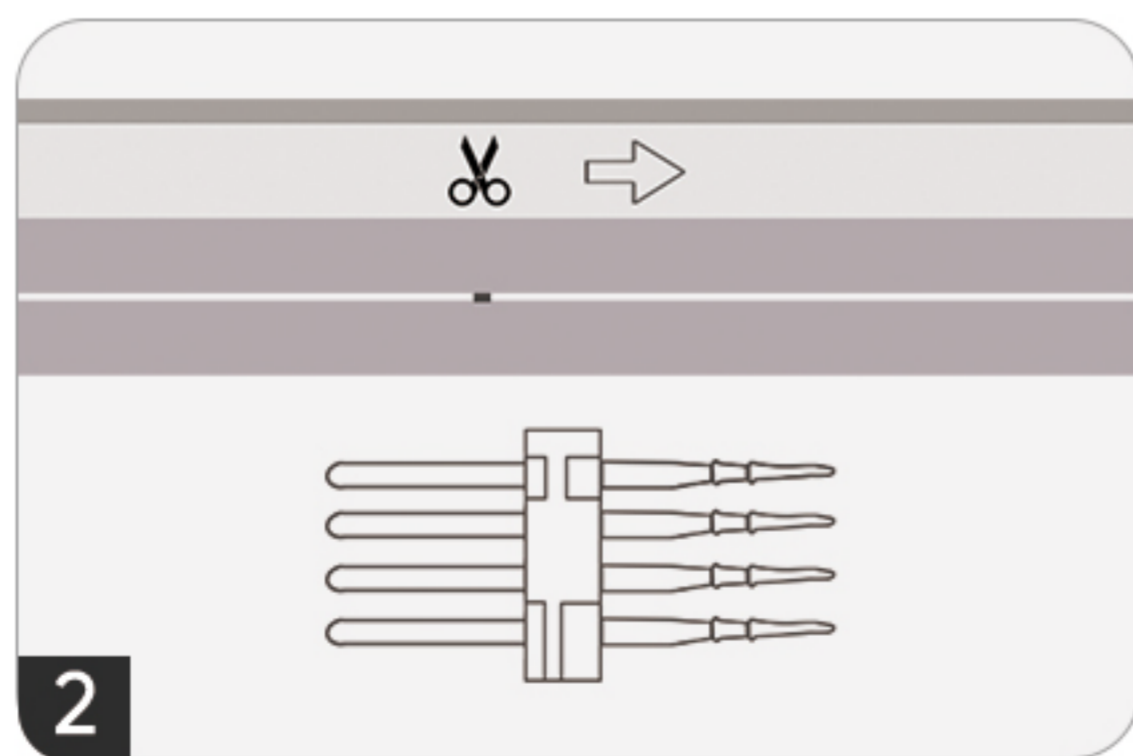
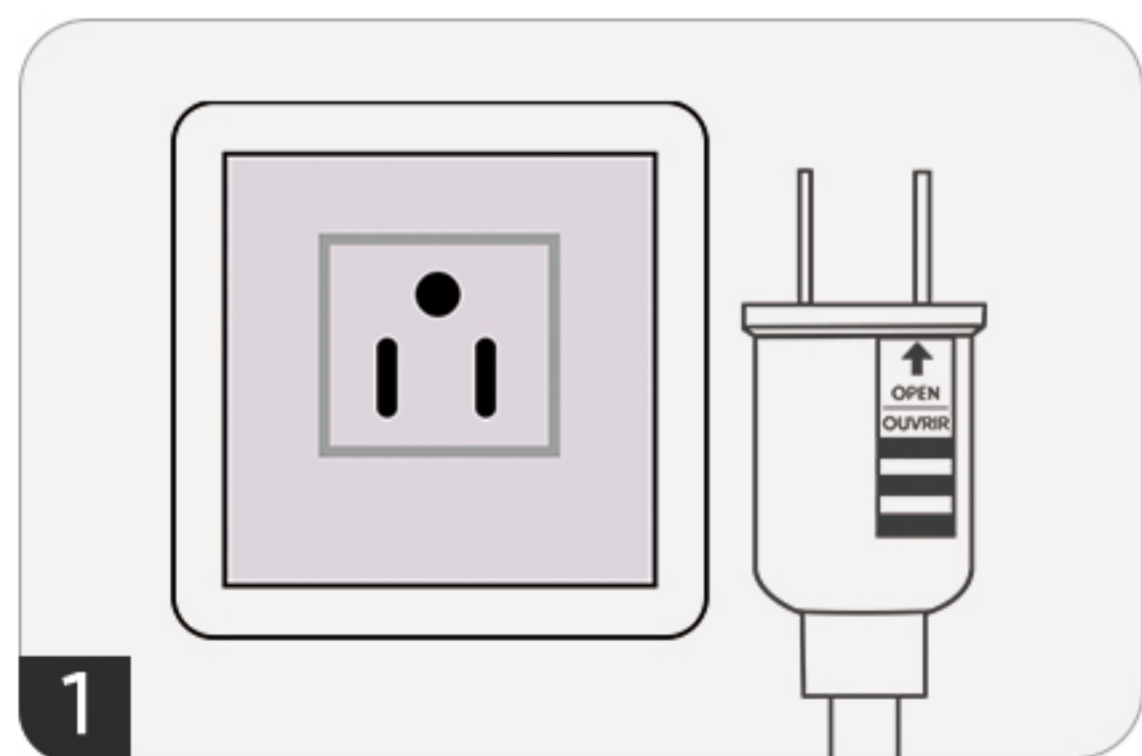
1. Disconnect power before you make any cutting.
2. Measure the desired length for your application, most of our rope light is cuttable at every 1 meter (approximately 3.3ft). Make sure your desired length is divisible by the cuttable interval. If not, round up or down to the nearest interval and make sure this new length will still work with your project.
3. Locate the closest cut spot. There will be black dot on neon light indicating where to cut the rope light. Be sure to avoid cutting the diodes or the circuit boards. If you cut the light anywhere else, the internal circuit will be damaged and the light will not illuminate within the interrupted section that has been severed. Take either sharp scissors or utility knife, line it up perpendicularly and cut exactly at the dot. Try to keep the cut as clean and smooth as possible. You will see inner wires at the ends of your rope lights. This completes cutting the rope light and has prepared the end to receive any accessories that might be attached. A cut piece of rope light must have a few more things before it will work: controller pack, end cap.



POWERING INSTRUCTIONS

If you're planning to cut several pieces to place in different locations, you will need to buy additional accessories to power the new cut piece. Our 120V line voltage driverless rope lights use AC high voltage and do not require a power adapter. But for rgb color rope light, you should buy extra controller pack. The way to attach a new controller to your new cut piece is quite the same, they all connect to the light by pin. Last but not least, end cap must be attached before attaching to a power source.

1. Disconnect power first.
2. Locate and identify the 4 wires in the LED strip light on the positive side. It is important to keep the power flowing in the same direction to avoid mixing up polarity. The sharp prongs of the pin should be in the same direction with the "→" mark on the rope light.
3. Line up the sharp prongs of the pin with the light wires. Gently insert the pin into the LED strip light making sure to make a solid and correct connection with the internal wires. The pins do not need to be fully inserted, if you push the pins too far into the strip, it may cause damage to the wires or cause a short circuit.
4. Insert rounded prongs of the pin into the RGB controller, LED lights are polarized, if they do not light up when you first plug them in, simply unplug the power cord and turn 180° the power cord as indicated and reconnect the strip light again.
5. Test the strip to make sure the light works by plugging in the power supply into an outlet. The lights should now come on. If the lights do not come on, please check the first step again. Always keep the controller on power wire, don't remove it.

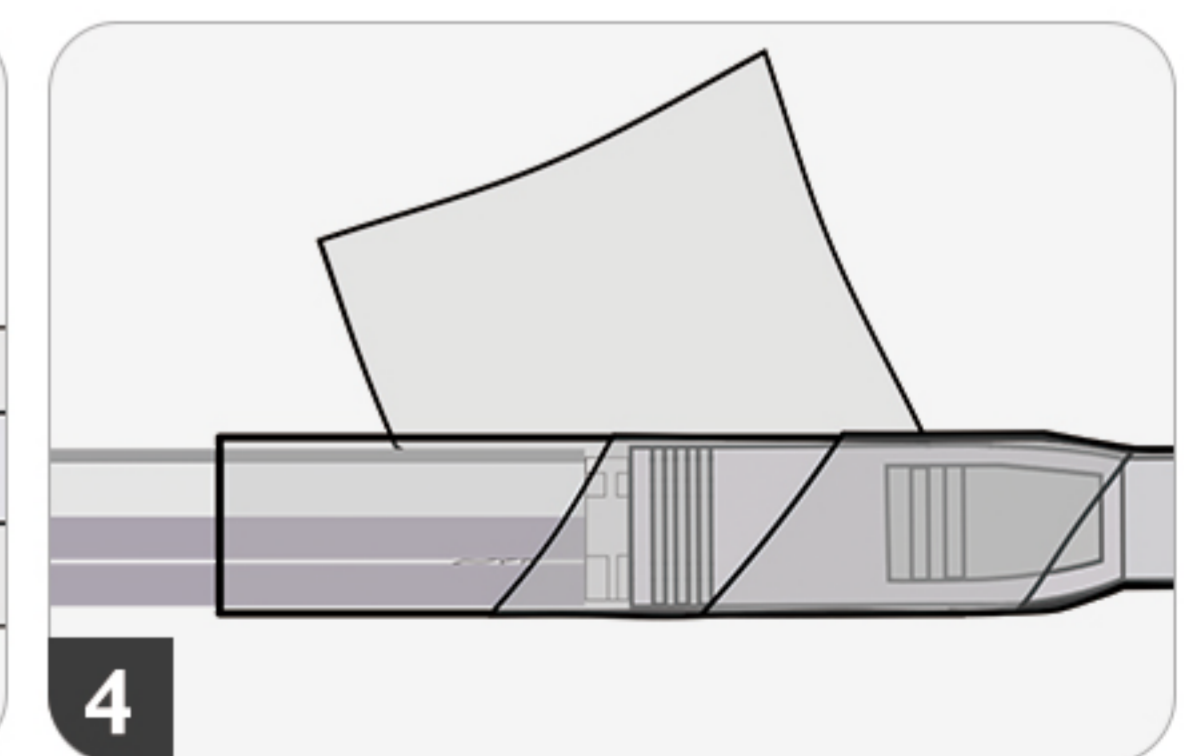
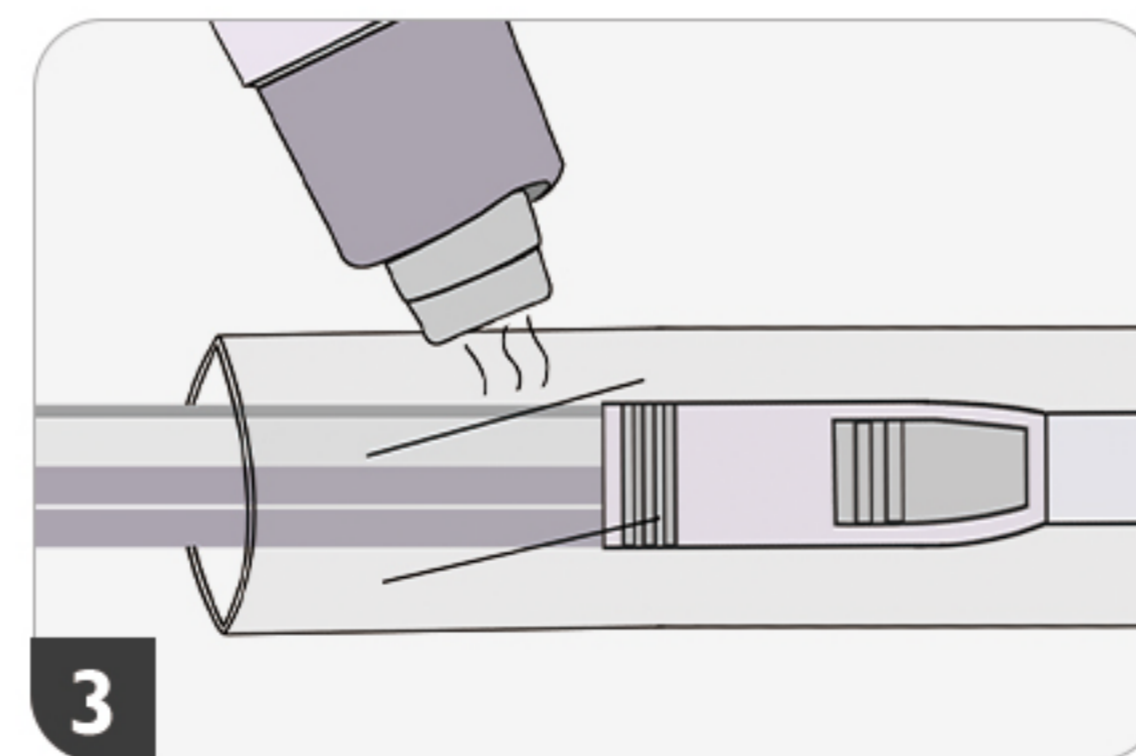
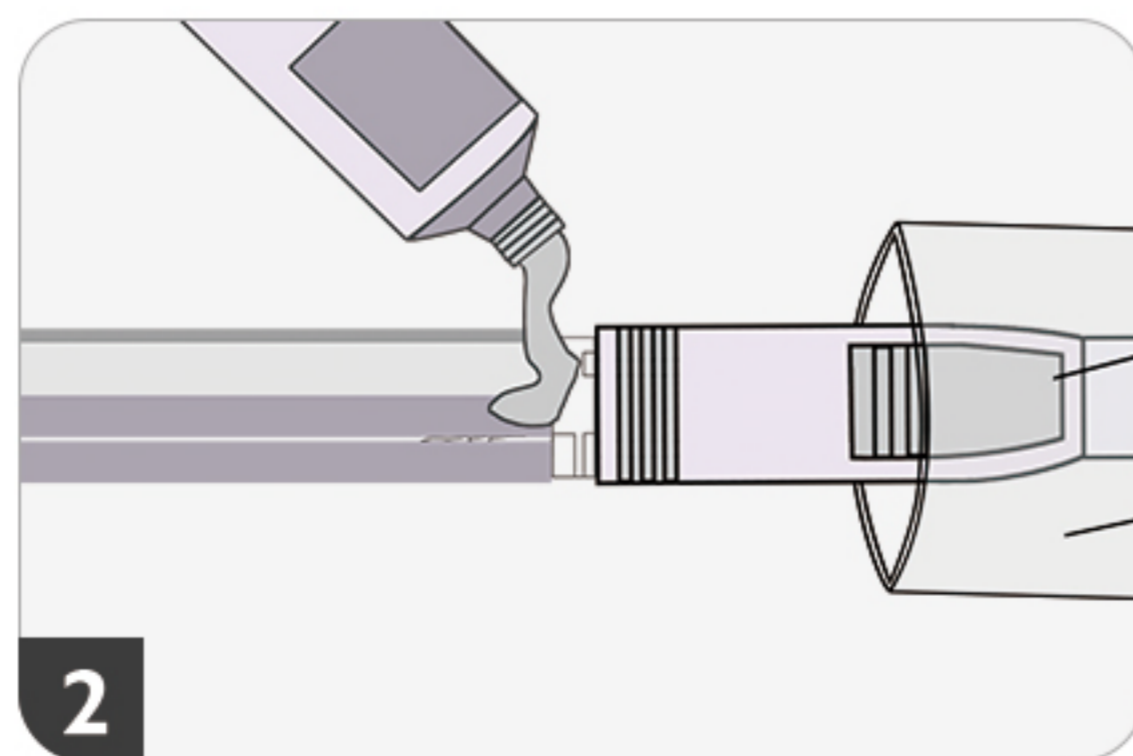
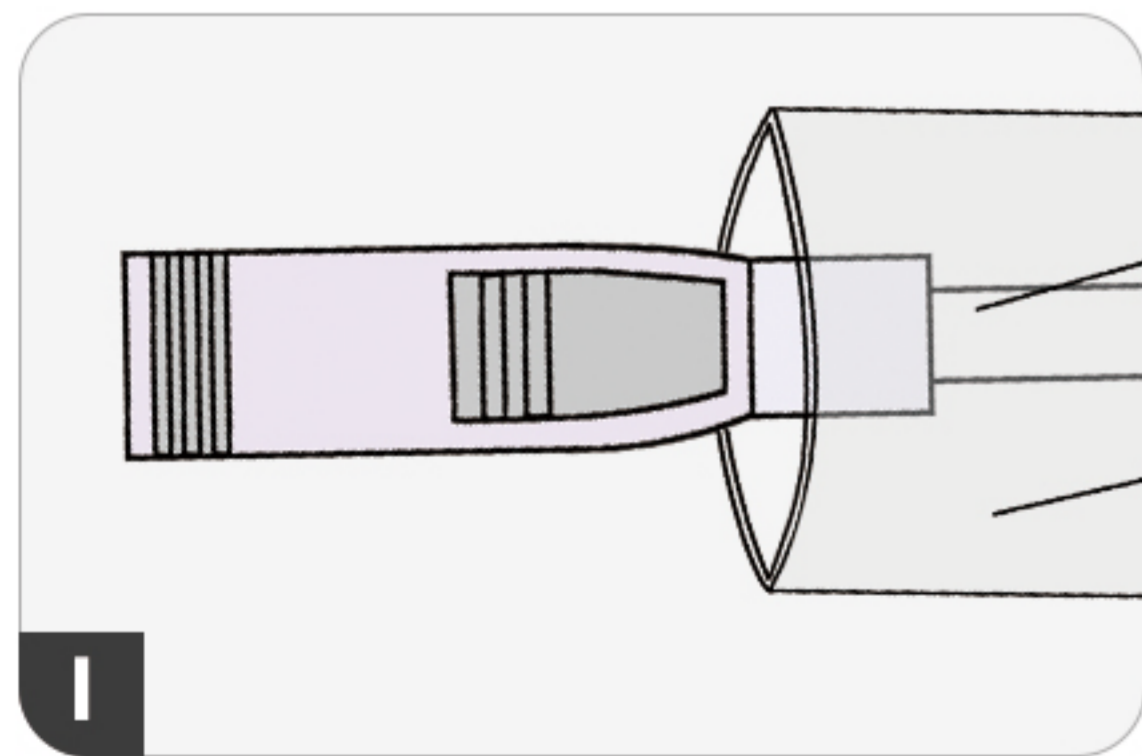


WATERPROOFING INSTRUCTIONS

Important Note: Our 120V LED rope lights are not fully waterproof. When using our rope lights outdoors, all connections, power cords, and end caps must be properly resealed to prevent moisture intrusion which can cause dangerous short circuiting and even lead to fires. When using lights indoors, proper waterproofing would extend their lifespan. Also re-waterproofing your LED strip is a must after you have cut the strip. Waterproof PVC or silicone is required to seal all connections, power cords, and end caps. **NOTE** the use of any non-recommended sealant e.g. electrical tape may result in a strip light or strip light accessory failure and will void the warranty.



1. Disconnect power first. Cut about 4 inches of the shrink tube, and then slide it over the power cord.
2. Then waterproofing the connections by applying silicone adhesive liberally into the inside and outside of the connected area. Gently press out any bubbles and make sure to wipe out excess adhesive, let it dry for 24 hours.
3. Slide the heat shrink tubing over the connected area, then use a heat gun to heat up the tubing to create the seal.
4. To create an authentic watertight seal, you need to further waterproof it by wrapping more tubing around connections in an overlapping spiral fashion, then use a heat gun to repeat these steps. Make sure the end cap get waterproofed too.



Problem	Possible Cause	Solution
The entire light will not illuminate	Incorrect power source	Ensure the light is plugged into an 120VAC outlet and the power is on.
	Loose pin connection	Check the pin connection and make sure the pin is inserted fully into the internal wires.
	Mixed polarity	Check the right polarity according to the POWERING INSTRUCTIONS.
	Rectifier issue	Replace the power cord.
	Blown fuse	Check if the inline fuse on the plug has blown, fuses normally blow out when they short circuit caused by water intrusion or damaged wiring connections.
The light has sections that will not illuminate	Manufacturing flaw or mechanical damage during shipping	Check if the sections do not light up when the light first arrives.
	Incorrect bending during installation	Do not fold or stretch the rope lights. Do not bend the light to sharp angles or make repeated and continuous bending as this may damage circuit traces during installation.



Questions? Problems? Bulk order discount?
Instantly chat to your Customer Service Representative

on **www.gzbtech.com** or email us at **info@gzbtech.com**
we'd love to hear from you!