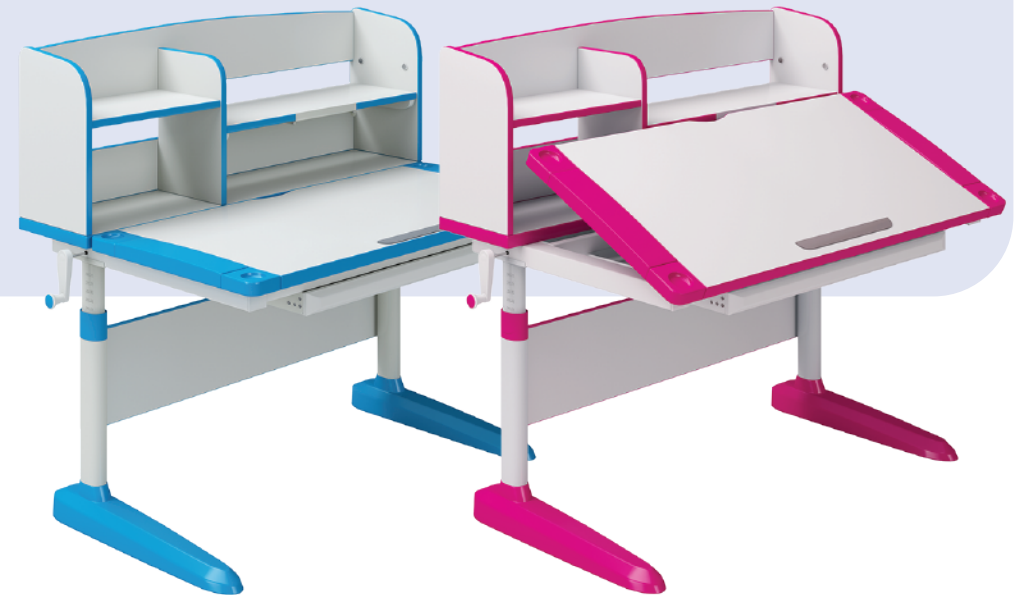


Ergobloom Desk Specification Sheet



Ergobloom Desk

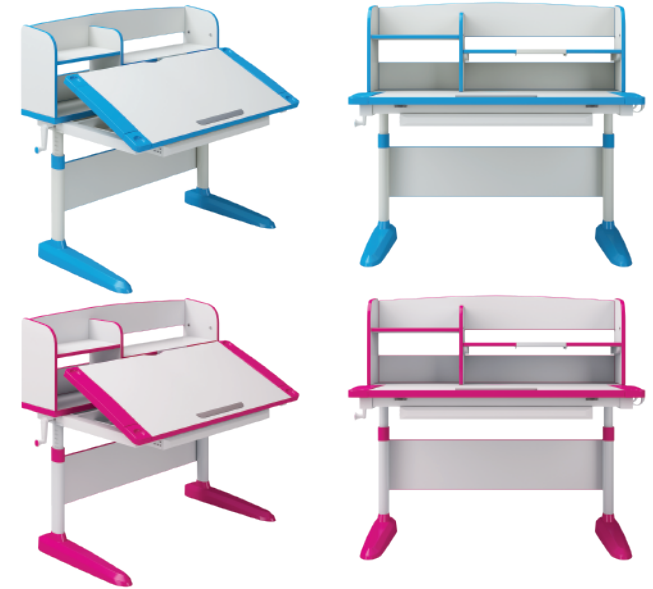
Regular and Large

Product Description

Height adjustable to you kid's growing body – Perfect posture & comfort, for your kid's long hours at desk

Angled top eliminates slouching – Enjoy better viewing angle upright sitting posture

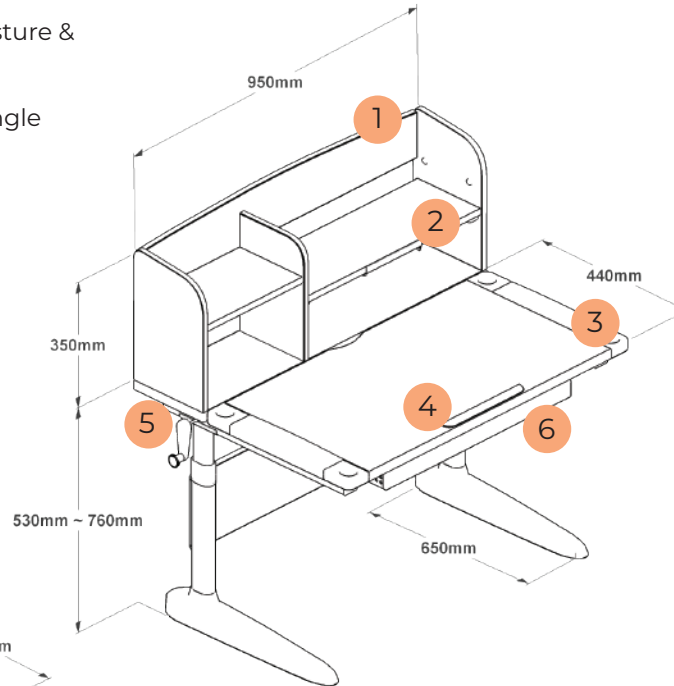
Colours



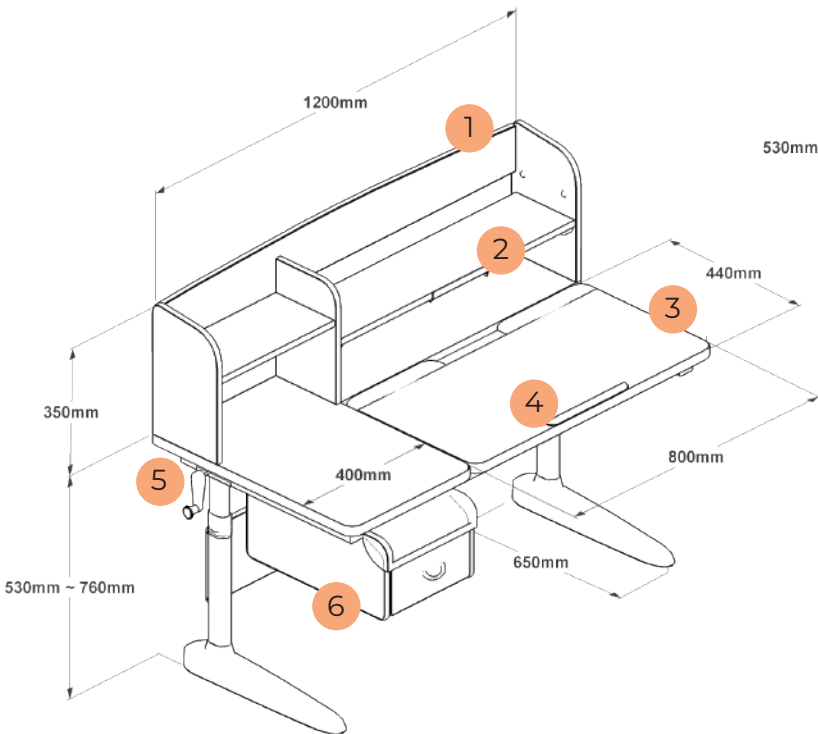
Large BloomDesk



Regular BloomDesk



Regular



Large

- 1: Table Shelves
- 2: Book Tray
- 3: Tilt-able TableTop
- 4: Wrist Pad
- 5: Hand Crank
- 6: Drawer