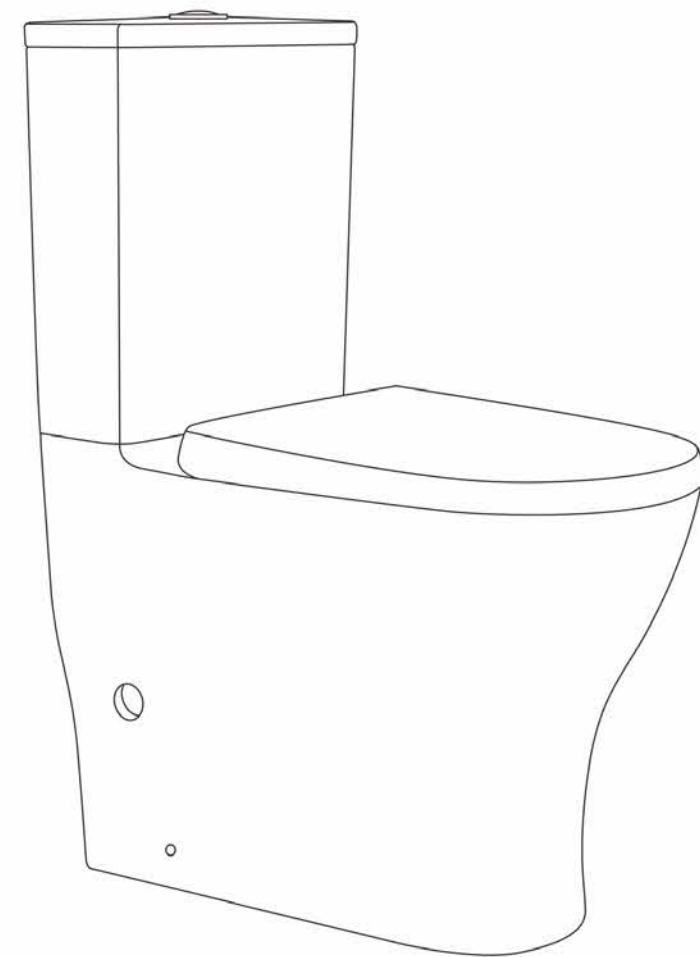


Vasari

COLLECTION



IMPORTANT

Thanks for choosing **Vasari**.

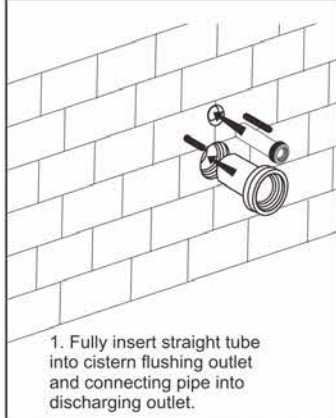
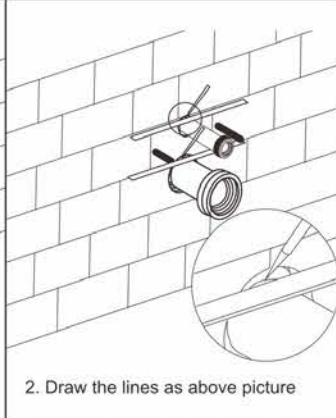
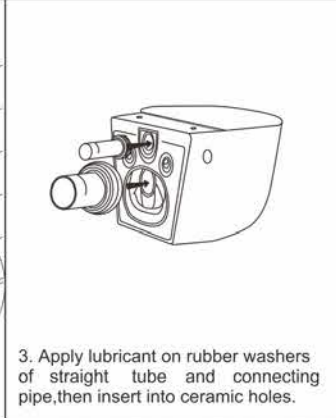
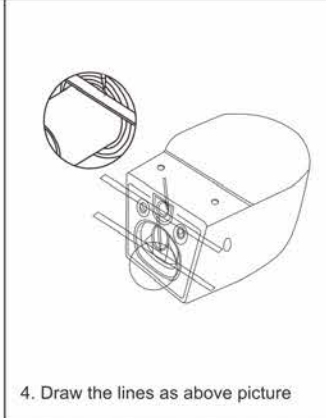
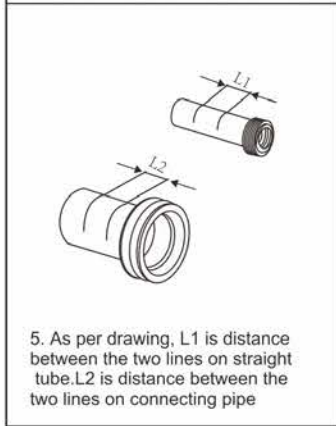
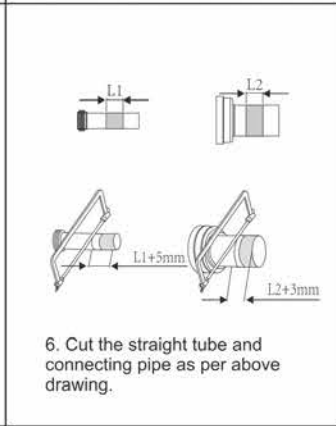
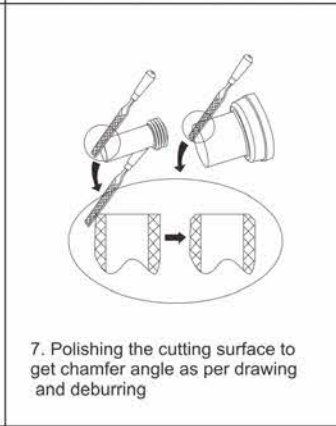
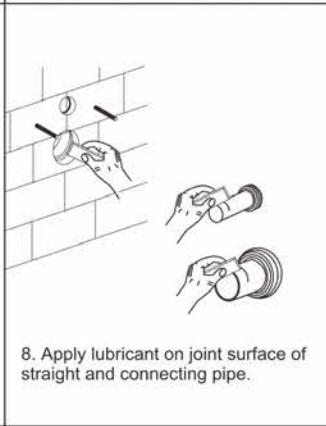
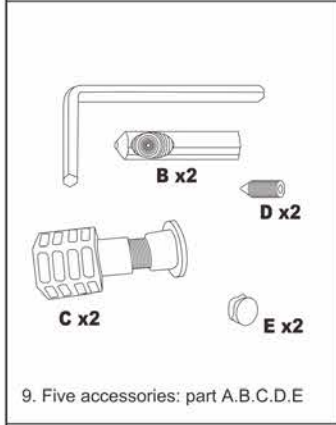
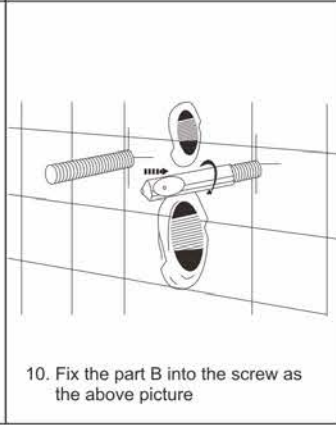
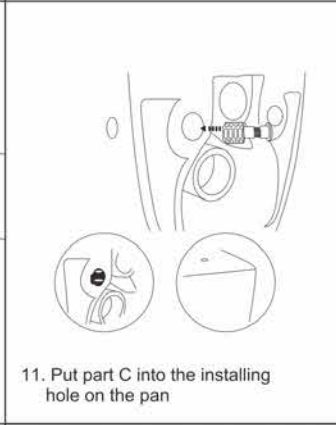
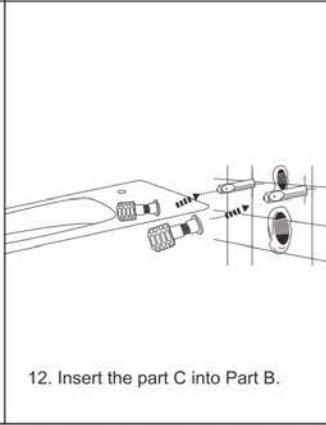
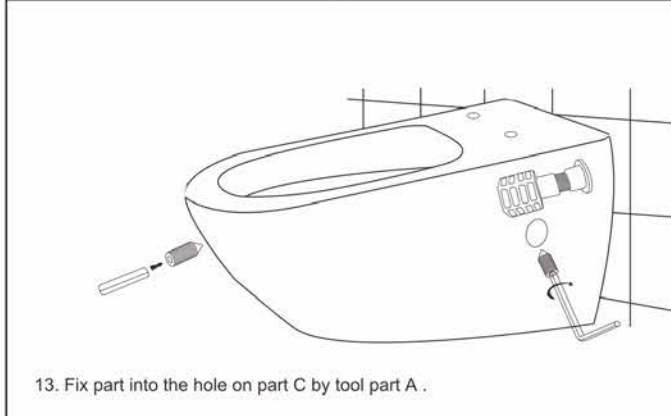
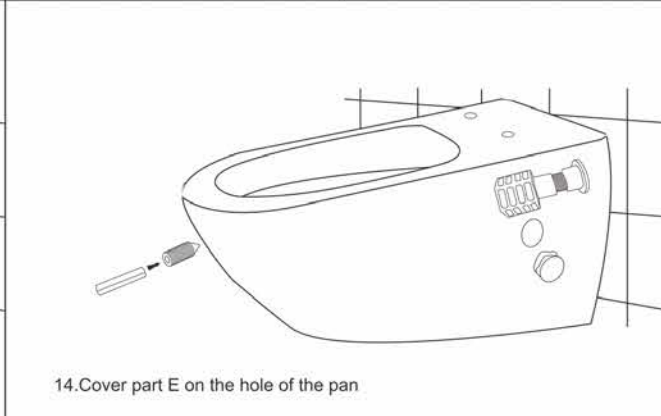
For your SAFETY, please read this manual before using the product. Thanks.

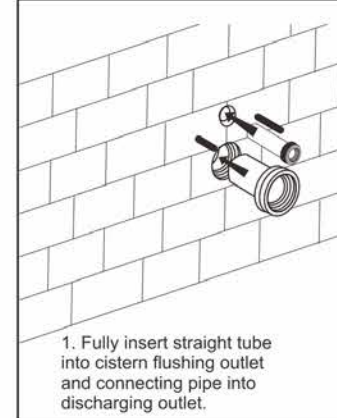
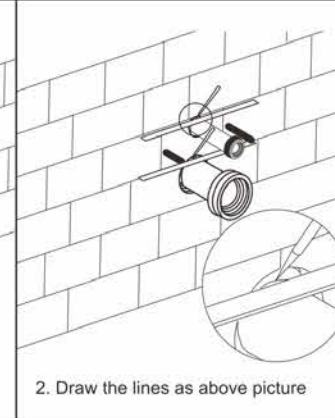
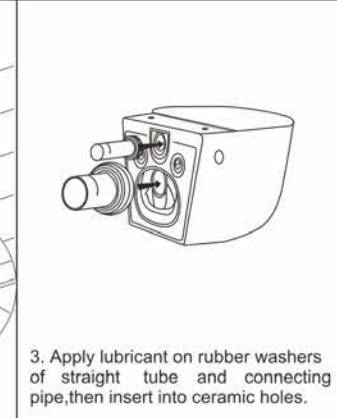
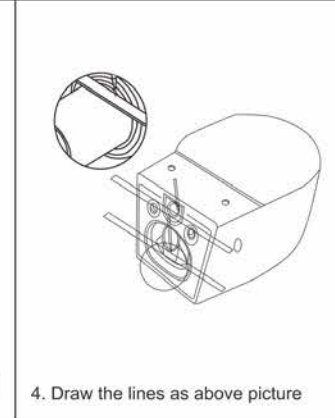
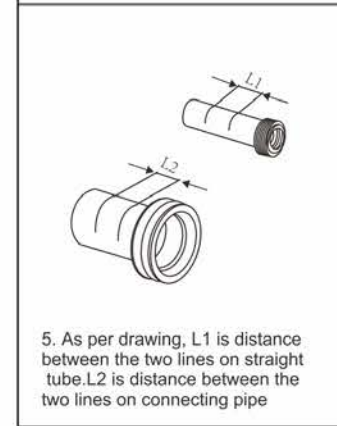
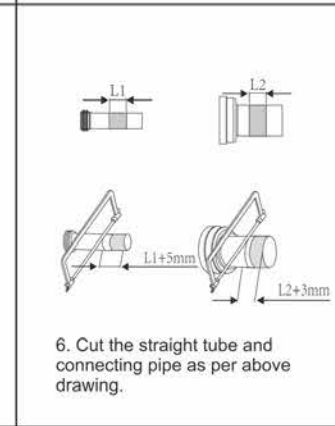
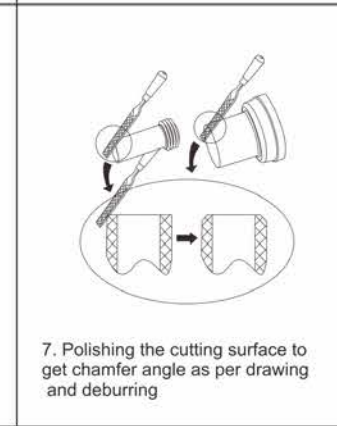
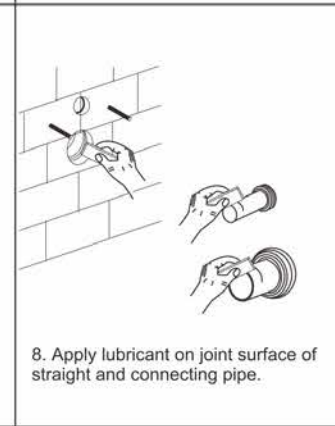
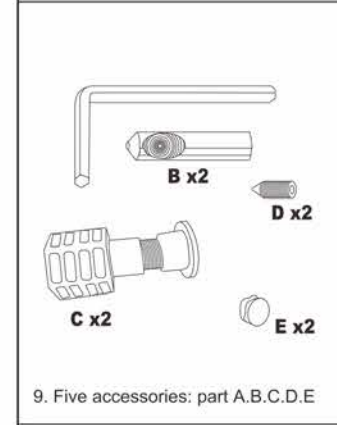
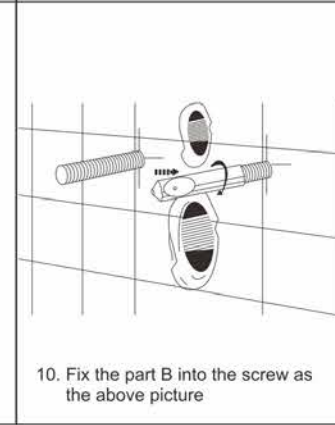
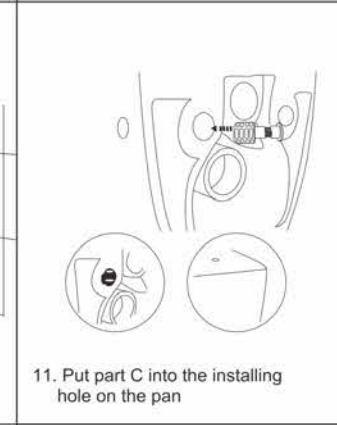
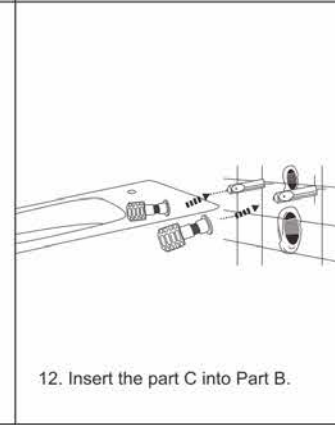
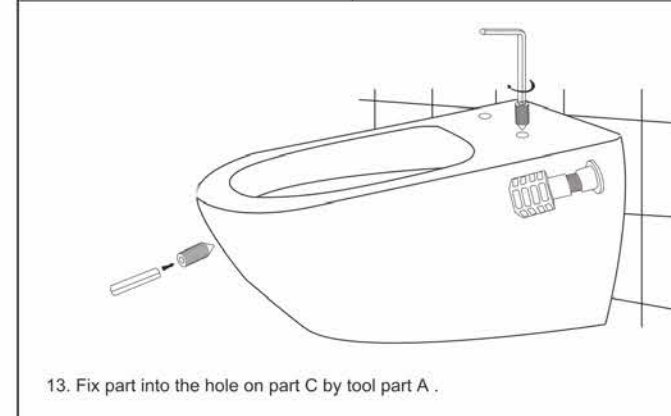
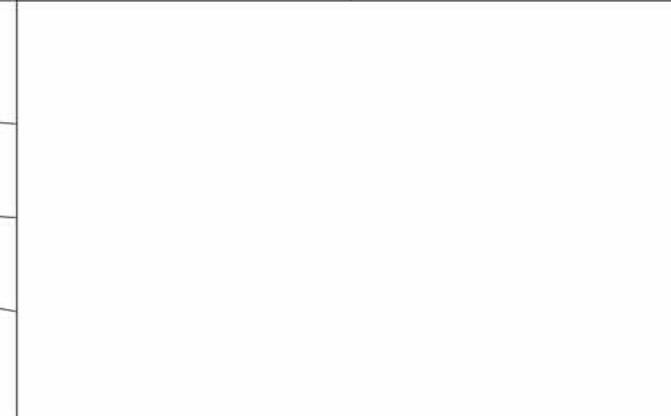
Index

I.WALL-HUNG TOILET	003
II.RIMLESS WALL FACED TOILET SUITE	005
III.FULL WALL FACED TOILET SUITE	007
IV.SEAT INSTALLATION	008
V.CARE AND CLEANING	009

WALL-HUNG TOILET

WALL-HUNG TOILET

 <p>1. Fully insert straight tube into cistern flushing outlet and connecting pipe into discharging outlet.</p>	 <p>2. Draw the lines as above picture</p>	 <p>3. Apply lubricant on rubber washers of straight tube and connecting pipe, then insert into ceramic holes.</p>	 <p>4. Draw the lines as above picture</p>
 <p>5. As per drawing, L1 is distance between the two lines on straight tube. L2 is distance between the two lines on connecting pipe</p>	 <p>6. Cut the straight tube and connecting pipe as per above drawing.</p>	 <p>7. Polishing the cutting surface to get chamfer angle as per drawing and deburring</p>	 <p>8. Apply lubricant on joint surface of straight and connecting pipe.</p>
 <p>9. Five accessories: part A, B x2, C x2, D x2, E x2</p>	 <p>10. Fix the part B into the screw as the above picture</p>	 <p>11. Put part C into the installing hole on the pan</p>	 <p>12. Insert the part C into Part B.</p>
 <p>13. Fix part into the hole on part C by tool part A.</p>	 <p>14. Cover part E on the hole of the pan</p>		

 <p>1. Fully insert straight tube into cistern flushing outlet and connecting pipe into discharging outlet.</p>	 <p>2. Draw the lines as above picture</p>	 <p>3. Apply lubricant on rubber washers of straight tube and connecting pipe, then insert into ceramic holes.</p>	 <p>4. Draw the lines as above picture</p>
 <p>5. As per drawing, L1 is distance between the two lines on straight tube. L2 is distance between the two lines on connecting pipe</p>	 <p>6. Cut the straight tube and connecting pipe as per above drawing.</p>	 <p>7. Polishing the cutting surface to get chamfer angle as per drawing and deburring</p>	 <p>8. Apply lubricant on joint surface of straight and connecting pipe.</p>
 <p>9. Five accessories: part A, B x2, C x2, D x2, E x2</p>	 <p>10. Fix the part B into the screw as the above picture</p>	 <p>11. Put part C into the installing hole on the pan</p>	 <p>12. Insert the part C into Part B.</p>
 <p>13. Fix part into the hole on part C by tool part A.</p>	 <p>14. Cover part E on the hole of the pan</p>		

RIMLESS WALL FACED TOILET SUITE

RIMLESS WALL FACED TOILET SUITE

Installation of Toilet Seat and Cleaning

It is recommended that toilet seat and cover be installed after all trades are finished.

Note:

Installation to be in accordance with AS/NZS 3500 series of standards and/or local regulations. all measurements for roughing-in should be taken from finished wall/floor. It is strongly recommended by the manufacturer that installation is carried out by a licensed plumber.

Cleaning recommendations

The high quality vitreous china finish on all sanitary ware can be maintained by simply using mild soapy water and wiping over.

Sanitary ware should not be cleaned with abrasive materials e.g. steel wool/scourers. Do not use any corrosive or abrasive cleaning agents containing acids or scouring agents as this may lead to surface damage.

Bleaches can also discolour seats and hinges and therefore should not be used.

If your toilet has metal hinges they should only be cleaned with a mild liquid domestic cleaner, with soft soapsuds or steel & chrome cleaner

After cleaning, rinse with clean water and polish with a clean soft cloth.

Top Inlet

Installation of Toilet Seat and Cleaning

It is recommended that toilet seat and cover be installed after all trades are finished.

Note:

Installation to be in accordance with AS/NZS 3500 series of standards and/or local regulations. all measurements for roughing-in should be taken from finished wall/floor. It is strongly recommended by the manufacturer that installation is carried out by a licensed plumber.

Cleaning recommendations

The high quality vitreous china finish on all sanitary ware can be maintained by simply using mild soapy water and wiping over.

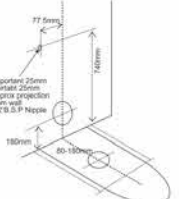
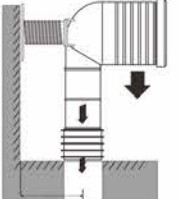
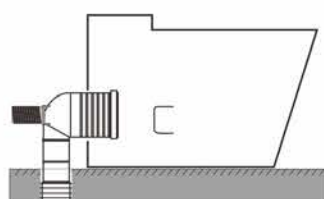
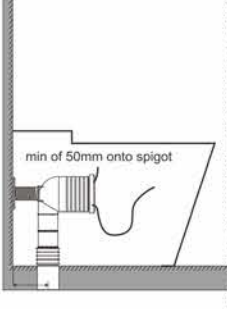
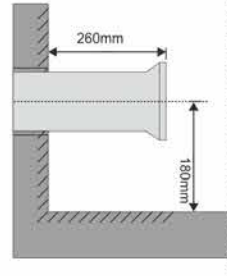
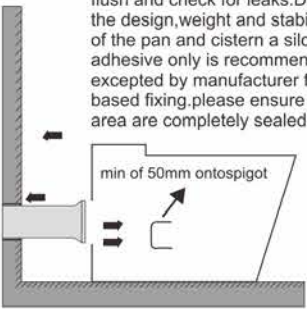

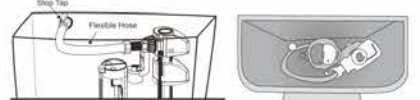
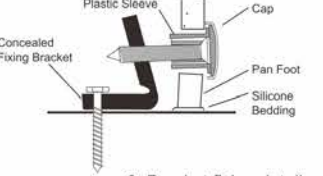

Sanitary ware should not be cleaned with abrasive materials e.g. steel wool/scourers. Do not use any corrosive or abrasive cleaning agents containing acids or scouring agents as this may lead to surface damage.

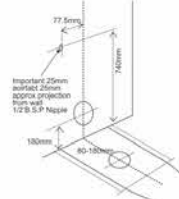
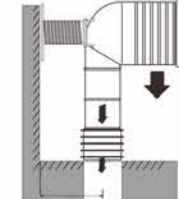
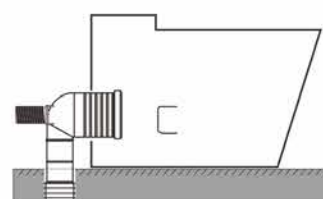
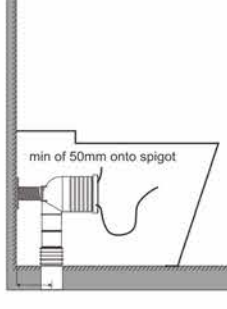
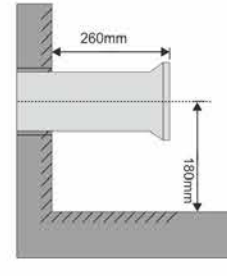
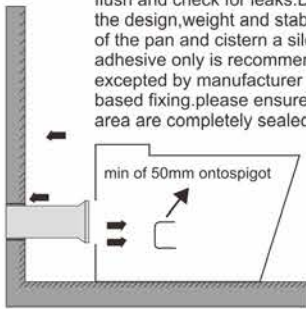

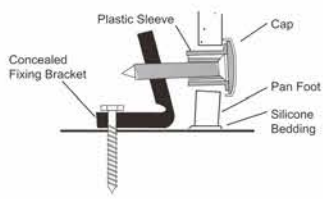
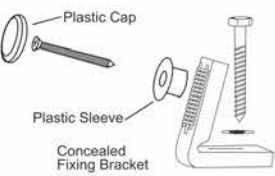
Bleaches can also discolour seats and hinges and therefore should not be used.

If your toilet has metal hinges they should only be cleaned with a mild liquid domestic cleaner, with soft soapsuds or steel & chrome cleaner

After cleaning, rinse with clean water and polish with a clean soft cloth.

Bottom Inlet

INSTALLATION INFORMATION	S-Trap	
 <p>1. Rough in position of water inlet, waste outlet and floor fixing bracket holes. Ensure inlet connection extends 60mm from finished wall, drill holes for floor fixing bracket then fix brackets to floor.</p>	 <p>2. Lubricate the fins of the pan bend and position into waste pipe. If cut is needed, please make sure cut the right proportion according to the ring, clean the trap after cutting, the bits may cause leaking.</p>	 <p>3. Lubricate rubber on the exposed connector end</p>
<p>4. Align and push fully assembled toilet back to the wall</p> 	<p>5. Set up waste pipe so that the end of pan collar extends from the finished wall</p> 	<p>6. Align and push fully assembled toilet back to the wall, connecting pan spigot to pan collar. Bucket flush and check for leaks. Due to the design, weight and stability of the pan and cistern a silicone adhesive only is recommended and excepted by manufacturer for floor based fixing, please ensure all wet area are completely sealed.</p> 
 <p>7. Please rubber seal into pan recess (sealant can be used if necessary), please cistern screws into holes on the inside of cistern, making sure washers are located correctly. Gently lower cistern onto pan locating fixing screws into matching pan screws holes, secure cistern to pan before tightened fully make sure cistern sits square and straight to pan.</p>	 <p>8. Fit off stop tap then connect rear water inlet valve to stop tap, fill cistern and ensure correct water level. Make sure inlet valve flow are free from side of cistern wall. If inlet valve been jam on the cistern wall, it will cause inlet valve keep filling.</p>	
 <p>9. Bracket fixing details</p>	 <p>10. Concealed fixing bracket</p>	<p>10.4.3 INSTALLTION INSTRUCTIONS Installation instructions (in English) shall be provided with the pan. The instructions shall ed comprehensive to enable the installation of the pan and conduct the tests specified in this standard, the instructions shall incorporate the requirements of AS/NZS 3500.1 and AS/NZS 3500.2.</p>

INSTALLATION INFORMATION	S-Trap	
 <p>1. Rough in position of water inlet, waste outlet and floor fixing bracket holes. Ensure inlet connection extends 60mm from finished wall, drill holes for floor fixing bracket then fix brackets to floor.</p>	 <p>2. Lubricate the fins of the pan bend and position into waste pipe. If cut is needed, please make sure cut the right proportion according to the ring, clean the trap after cutting, the bits may cause leaking.</p>	 <p>3. Lubricate rubber on the exposed connector end</p>
<p>4. Align and push fully assembled toilet back to the wall</p> 	<p>5. Set up waste pipe so that the end of pan collar extends from the finished wall</p> 	<p>6. Align and push fully assembled toilet back to the wall, connecting pan spigot to pan collar. Bucket flush and check for leaks. Due to the design, weight and stability of the pan and cistern a silicone adhesive only is recommended and excepted by manufacturer for floor based fixing, please ensure all wet area are completely sealed.</p> 
 <p>7. Please rubber seal into pan recess (sealant can be used if necessary), please cistern screws into holes on the inside of cistern, making sure washers are located correctly. Gently lower cistern onto pan locating fixing screws into matching pan screws holes, secure cistern to pan before tightened fully make sure cistern sits square and straight to pan.</p>		 <p>8. Bracket fixing details</p>
 <p>9. Concealed fixing bracket</p>		<p>9.4.3 INSTALLTION INSTRUCTIONS Installation instructions (in English) shall be provided with the pan. The instructions shall ed comprehensive to enable the installation of the pan and conduct the tests specified in this standard, the instructions shall incorporate the requirements of AS/NZS 3500.1 and AS/NZS 3500.2.</p>

FULL WALL FACED TOILET SUITE

SEAT INSTALLATION

Installation of Toilet Seat and Cleaning

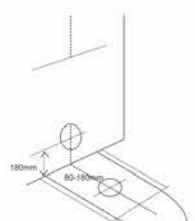
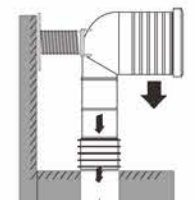
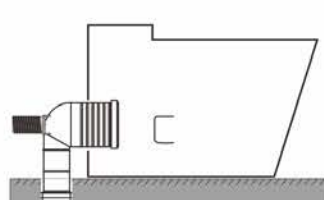
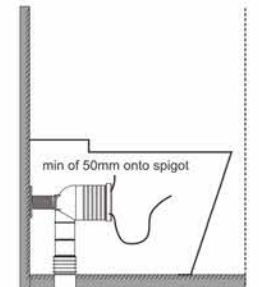
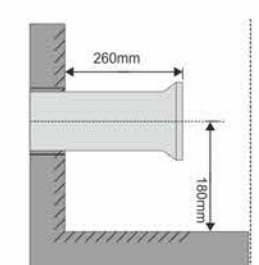
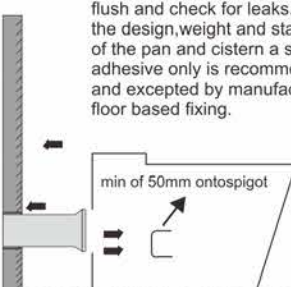
It is recommended that toilet seat and cover be installed after all trades are finished.

Note:

Installation to be in accordance with AS/NZS 3500 series of standards and/or local regulations. All measurements for roughing-in should be taken from finished wall/floor. It is strongly recommended by the manufacturer that installation is carried out by a licensed plumber.

Cleaning recommendations

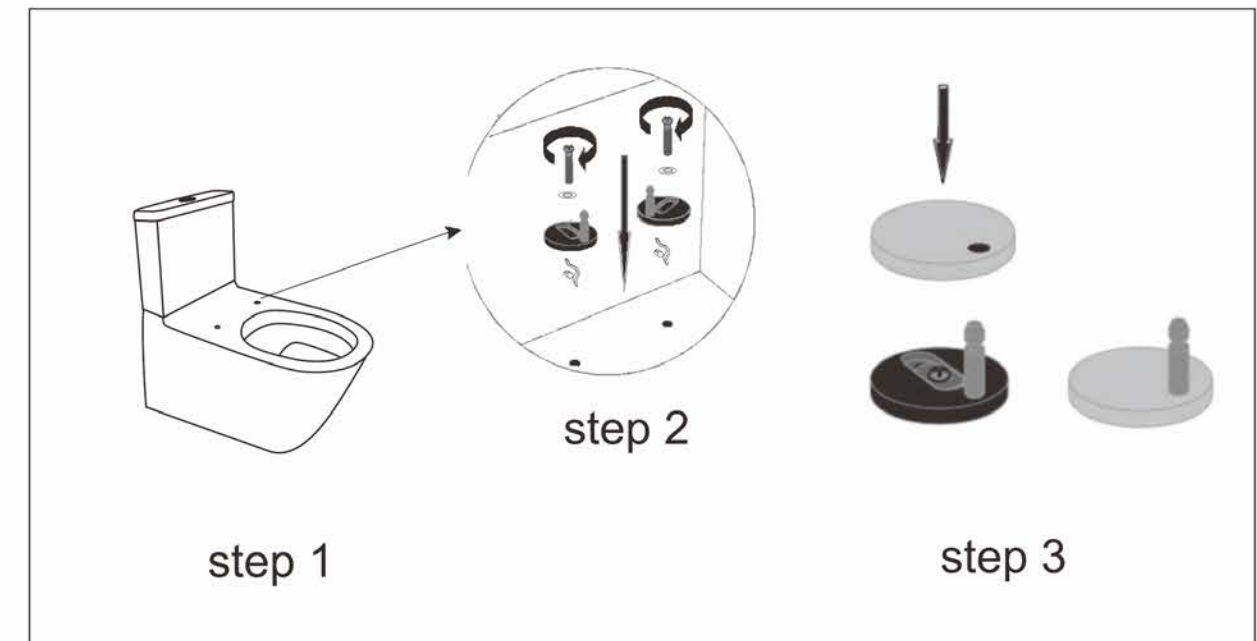
The high quality vitreous china finish on all sanitary ware can be maintained by simply using mild soapy water and wiping over. Sanitary ware should not be cleaned with abrasive materials e.g. steel wool/scourers. Do not use any corrosive or abrasive cleaning agents containing acids or scouring agents as this may lead to surface damage. Bleaches can also discolour seats and hinges and therefore should not be used. If your toilet has metal hinges they should only be cleaned with a mild liquid domestic cleaner, with soft soapsuds or steel & chrome cleaner. After cleaning, rinse with clean water and polish with a clean soft cloth.

INSTALLATION INFORMATION	S-Trap(1.2.3.4)	
 <p>1. Rough in position of water inlet, waste outlet and floor fixing bracket holes. Ensure inlet connection extends 60mm from finished wall, drill holes for floor fixing bracket then fix brackets to floor.</p>	 <p>2. Lubricate the fins of the pan bend and position into waste pipe. If cut is needed, please make sure cut the right proportion according to the ring, clean the trap after cutting, the bits may cause leaking.</p>	 <p>3. Lubricate rubber on the exposed connector end</p>
<p>4. Align and push fully assembled toilet back to the wall</p>  <p>min of 50mm onto spigot</p>	<p>5. Set up waste pipe so that the end of pan collar extends from the finished wall</p>  <p>260mm 180mm</p>	<p>6. Align and push fully assembled toilet back to the wall, connecting pan soigot to pan collar. Bucket flush and check for leaks. Due to the design, weight and stability of the pan and cistern a silicone adhesive only is recommended and excepted by manufacturer for floor based fixing.</p>  <p>min of 50mm onto spigot</p>

Toilet seat installation instruction

1. Please separate the black rubbers from the screw.
2. Insert the rubbers into the pan holes. put the screw with the white bracket on the pan and screw into the rubber(do not tighten).
3. Push the seat (press and hold the chrome button Inside the seat) onto the metal pin(on the white bracket), and adjust the pin position to make sure the seat is in a right position. then take off the seat and tighten the screws to secure the brackets.
4. Put the metal cover onto the brackets, and the seat.

Remove the seat and cover from it's box. Insert the top fixing rawl plugs into the seat bolt holes. Place the hinge blocks, without the stainless steel covers, over the rawl plugs and loosely fix the screw through the hinge blocks into the rawl plugs (**step 1 and step 2**). Fit the seat and cover onto the hinge blocks by locating the fixing holes onto the hinge pins and push into place. Close the seat and cover onto the pan, and adjust the position in line with the rim of pan. Tighten the screws. Open the seat and cover and depress the quick fix buttons to remove the seat and cover. Place the stainless steel covers over the hinge blocks (**step 3**) and replace the seat.



CARE AND CLEANING

CARE AND CLEANING

Your new toilet is made of stain-, acid- and abrasion-resistant vitreous china. Clean the outside surface with mild soap, warm water and a soft cloth. On stubborn stains use a powdered detergent and damp sponge or nylon scouring pad. Never use abrasive scouring powders, cleansers or pads because they will scratch, damage and dull the surface. The manufacturer shall not be responsible or liable for any tank tting damage caused by the use of cleaners containing chlorine (calcium hypochlorite). When cleaning your toilet seat, wash it with mild soapy water. Rinse the seat thoroughly with clean water and dry with a soft cloth. Avoid detergents, disinfectants or cleaning products in aerosol cans. NEVER use abrasive scouring powders on your seat. Some bathroom chemicals and cosmetics may cause damage to the seat's nish, so test your cleaning solution on an inconspicuous area before applying to the entire surface.

WARNING: DO NOT USE IN-TANK CLEANERS.

Products containing chlorine (calcium hypochlorite) can seriously damage tank ttings potentially causing leaks, excessive water use and property damage.