

# SATURN

including **HEAVY DUTY** models

## OWNER'S MANUAL & PARTS LIST

This equipment is intended for commercial use only



13LS1-SS/BK  
13LS2-SS/BK  
17LS2-SS/BK  
17LS3-SS/BK  
20LS2-SS/BK  
20LS3-SS/BK

17DS3-SS/BK  
20DS3-SS/BK  
20HS1500-SS/BK  
20HS2000-SS/BK  
17HS2000F-SS/BK

### **WHEN THE MACHINE IS DELIVERED**

Check the carton carefully for signs of rough handling. Remove the machine from the carton. If the machine is damaged, notify the carrier IMMEDIATELY and request an inspection. Be sure to keep the carton, packing inserts, packing lists and carrier's receipt until the inspector has verified your claim.

EDIC's liability ceases when the carrier picks up the shipment but our customer service staff will be glad to furnish any information needed in connection with the claim and will expedite repair of the machine.

### **BEFORE OPERATING THE MACHINE**

Read the manual carefully and completely before attempting to operate the unit. This manual has important information for the use and safe operation of the machine. Keep this manual handy at all times. This machine will assure years of satisfactory service if operated and maintained according to recommendations in this manual. If additional information is needed, please contact your local distributor or write to:

**EDIC  
1753 Blake Avenue  
Los Angeles, CA 90031-1006**

All information and specifications printed in the manual and parts list are current at the time of printing; however, because of EDIC's policy of continual product development, we reserve the right to make changes at any time without notice.

### **WARRANTY**

To protect your investment, promptly fill in the required information on the warranty card that comes with the unit and mail it back to EDIC.



#### **WARNING**

**To reduce the risk of fire, electric shock, or injury:**

- Do not operate the machine unless trained and authorized.
- Do not leave the machine when plugged in. Unplug from the outlet when not in use, before servicing, and when changing the brushes or pads.
- Use indoors only.
- Do not allow to be used as a toy. Close attention is necessary when used by or near children.
- Do not bypass or defeat the safety "lock-out lever."
- The machine was designed for use as per instruction and recommendations written in this manual. Any deviation from its proper use or purpose and the consequential damage that may occur is the sole responsibility of the end user.
- Do not use with damaged cord or plug. If the machine is not working as it should, or it has been dropped, damaged, left outdoors or dropped into water, return it to an authorized service center.
- Do not pull or carry by cord, use cord as handle, close a door on the cord or pull cord around sharp edges or corners. Do not run machine over cord. Keep cord away from heated surfaces.

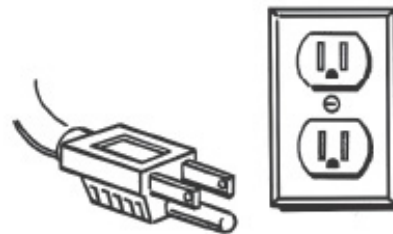
**⚠ WARNING**

- Do not unplug by pulling on cord. To unplug, grasp the plug, not the cord.
- Do not handle plug or appliance with wet hands.
- Make sure the machine is plugged into an electrical outlet with the same voltage and frequency rating as shown on the nameplate of the machine. Do not attempt to plug a 115- volt machine into a 230- volt outlet.
- Do not immerse or use this machine in standing water. Such use can cause electric shock.
- Keep the electrical supply cord from contacting the rotating brush or drive block.
- Do not expose machine to freezing temperatures.
- To avoid electric shock, do not expose the unit to rain. Store indoors only.
- Connect to a properly grounded outlet only. See "Grounding Instructions."
- Turn off all controls before unplugging.
- When using an extension cord, use a 3 conductor grounding cord, 12 gauge wire or heavier.
- Do not put any object into openings. Do not use with any opening blocked. Keep free of dust, lint, hair and anything that may reduce air flow.
- Do not operate machine in flammable or explosive areas.
- All servicing of EDIC's equipment should be performed by an EDIC authorized service center.
- Keep hair, loose clothing, fingers and all parts of body away from openings and moving parts.
- Use extra care when cleaning on stairs. When servicing machine, use manufacturer's supplied or approved replacement parts.

**FAILURE TO COMPLY WITH THE ABOVE WARNING INSTRUCTIONS WILL VOID THE WARRANTY.**

**GROUNDING INSTRUCTIONS:**

Machine must be grounded. If it should malfunction or breakdown, grounding provides a path of least resistance for electrical current to reduce the risk of electric shock. This machine is equipped with a cord having an equipment-grounding plug. (Figure 1) The plug must be plugged into an appropriate outlet that is properly installed in accordance with all local codes and ordinances. Do not remove ground pin; if missing, replace plug before use.



*fig 1*

## PREPARING THE MACHINE FOR OPERATION:

Your floor machine will operate in a wide variety of hard floors and carpet cleaning applications. Consult with your local dealer or EDIC's Customer Service to select the correct accessories for the job you are going to perform.

### BRUSH, PAD DRIVER, AND PAD INSTALLATION

**⚠ WARNING: Make sure the power cord is disconnected from the electrical outlet before installing or removing the brushes, pad drivers or pads from machine.**

#### BRUSH & PAD DRIVER INSTALLATION:

Lock the handle in the upright position and tip the machine back so it rests on the handle and wheels. Fit the three slots of the clutch plate in the back of the brush or pad driver over the three lugs of the drive plate. Push it firmly into position and turn it counterclockwise until it locks in place. (Figure 2)

To remove: Tip the machine back so it rests on the handle and wheels. Turn the brush or pad driver clockwise until it disengages and lifts off. Do not store the machine with the brush or pad drivers installed.

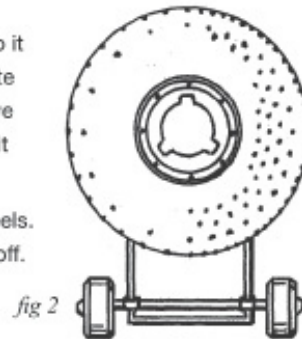


fig 2

#### PAD INSTALLATION:

To install pad, tilt the machine back on wheels until machine is resting on handle. Center the pad on the pad holder and insert pad center lock by twisting clockwise. Make sure the center lock is tight.

To remove: Twist the center lock counterclockwise

#### SHAMPOO TANK INSTALLATION (Dual & Low Speed Units Only)

Position the shampoo tank in front of the floor machine with the water release lever of the shampoo tank resting below the floor machine lever. There should be enough room for you to pull the shampoo tank lever without accidentally pulling the floor machine lever. (Figure 3)

Attach the tank to the machine using the two "V" bolts already included on the tank. (Figure 4)

The base of the shampoo tank has a solution hose connected to it on one end. Insert the other end of the solution hose in the motor frame. (Figure 5)

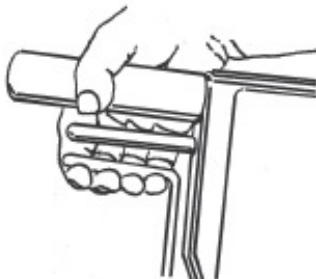


fig 3

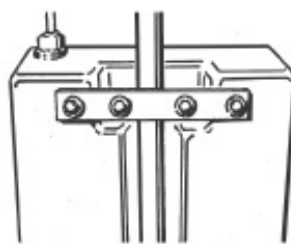


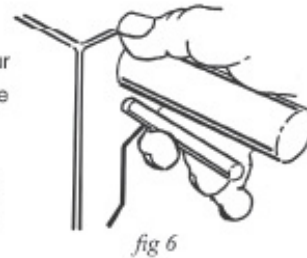
fig 4



fig 5

### **MACHINE OPERATION**

1. Install the pad driver and pad, brush or attachment.
2. Plug in machine.
3. Lower the handle to the desired operating position.
4. Place both hands on the handle grips with your fingers around the on/off lever which extends from one side to the other underneath the handle grips.
5. The safety "lock-out" lever is located underneath the right side handle grip and switch lever. To unlock the "lock-out" lever, use your right hand fore finger to press the lever down toward the back of the switch box. (Figure 6)
6. While still pressing the lever, pull the on/off switch lever to start the machine, then release the "lock-out" lever. The "lock-out" lever will automatically engage when you release the on/off switch lever.



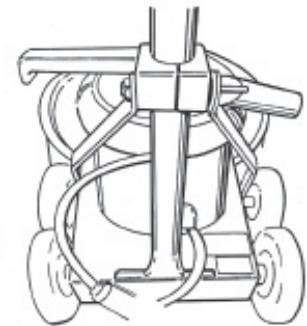
### **TO MANEUVER YOUR FLOOR MACHINE**

1. Raise the handle slightly and the machine will go to the right. The higher you raise it, the faster it will go.
2. Lower the handle and the machine will go left. The more you lower it, the faster it will go.
3. Practice on a smooth surface until you gain experience in operating the unit.

### **TO RE-ADJUST THE HANDLE-LOCK MECHANISM**

Unlock the handle and place it in the upright position. Tighten the adjusting nuts until there is a slight drag when the handle is raised or lowered. (Figure 7)

*fig 7*



### **TO ADJUST THE DRIVE BELT:**

**(High-speed models only: 20HS1500, 20HS2000, 17HS2000)**

Loosen, but do not remove the 4 bolts, that hold the motor to the frame. (Figure 8)

Tighten the 2 screws at the back of the frame until the belt is tight. Test and re-adjust the belt until the belt does not slip. Re-tighten the four motor bolts.

*fig 8*



**⚠ WARNING: Do not over-tighten the belt.**

### **OPERATING INSTRUCTIONS FOR MODELS 17DS AND 20DS DUAL SPEED MACHINES**

These units operate to all instructions already described except the following:

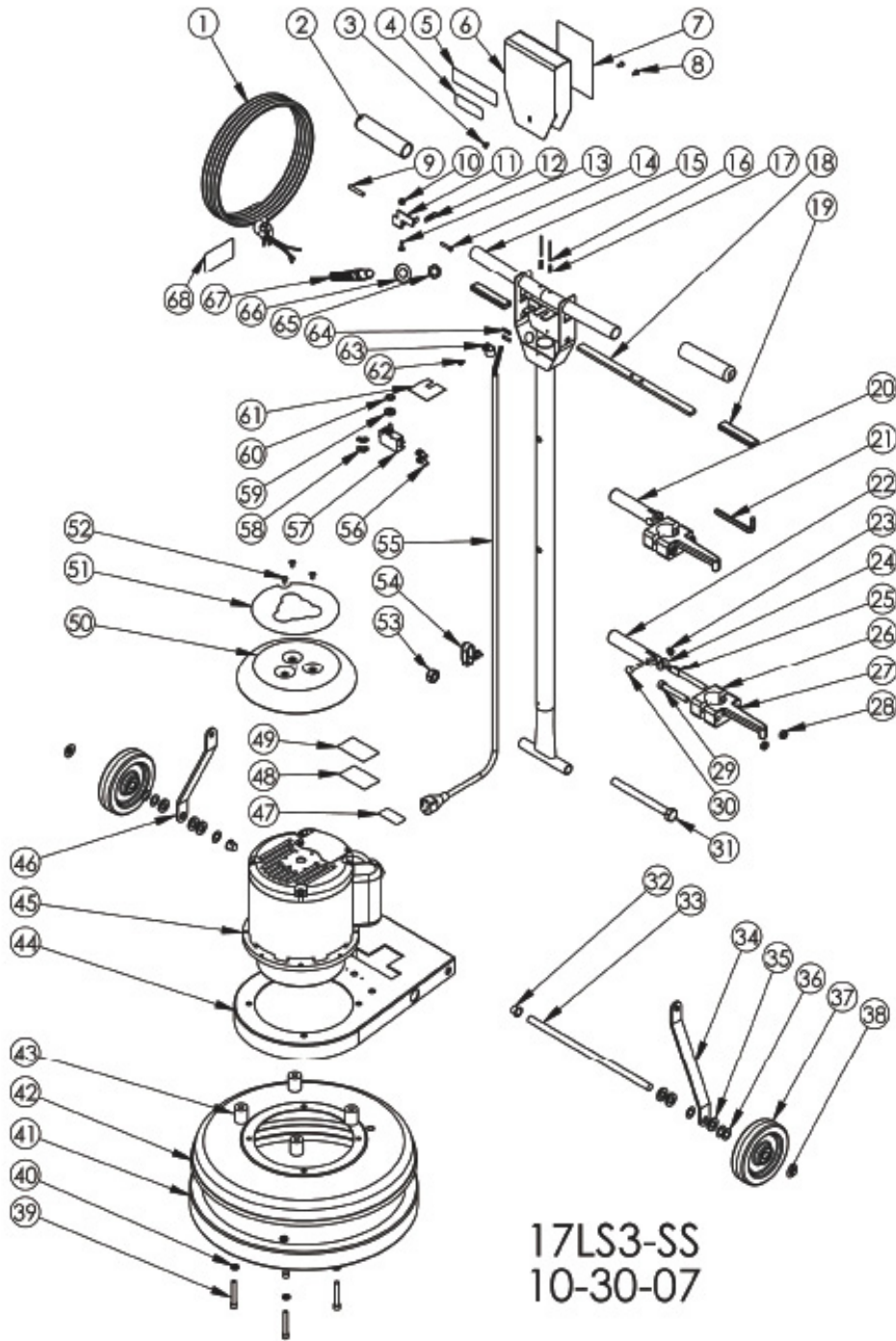
These models can run at either 175 RPM for scrubbing or at 300 RPM for buffing. To switch the RPM, use the rocker switch located between the motor and the base of the handle. Do not buff in the 175 RPM setting because it might overload the motor.

### **CLEAN UP & STORAGE**

1. Unplug and wrap it under the cord hook and around the left side handle grip. Clean the cord and inspect it for cuts, gashes and loose prongs.
2. Wipe down the machine and store in clean dry place.



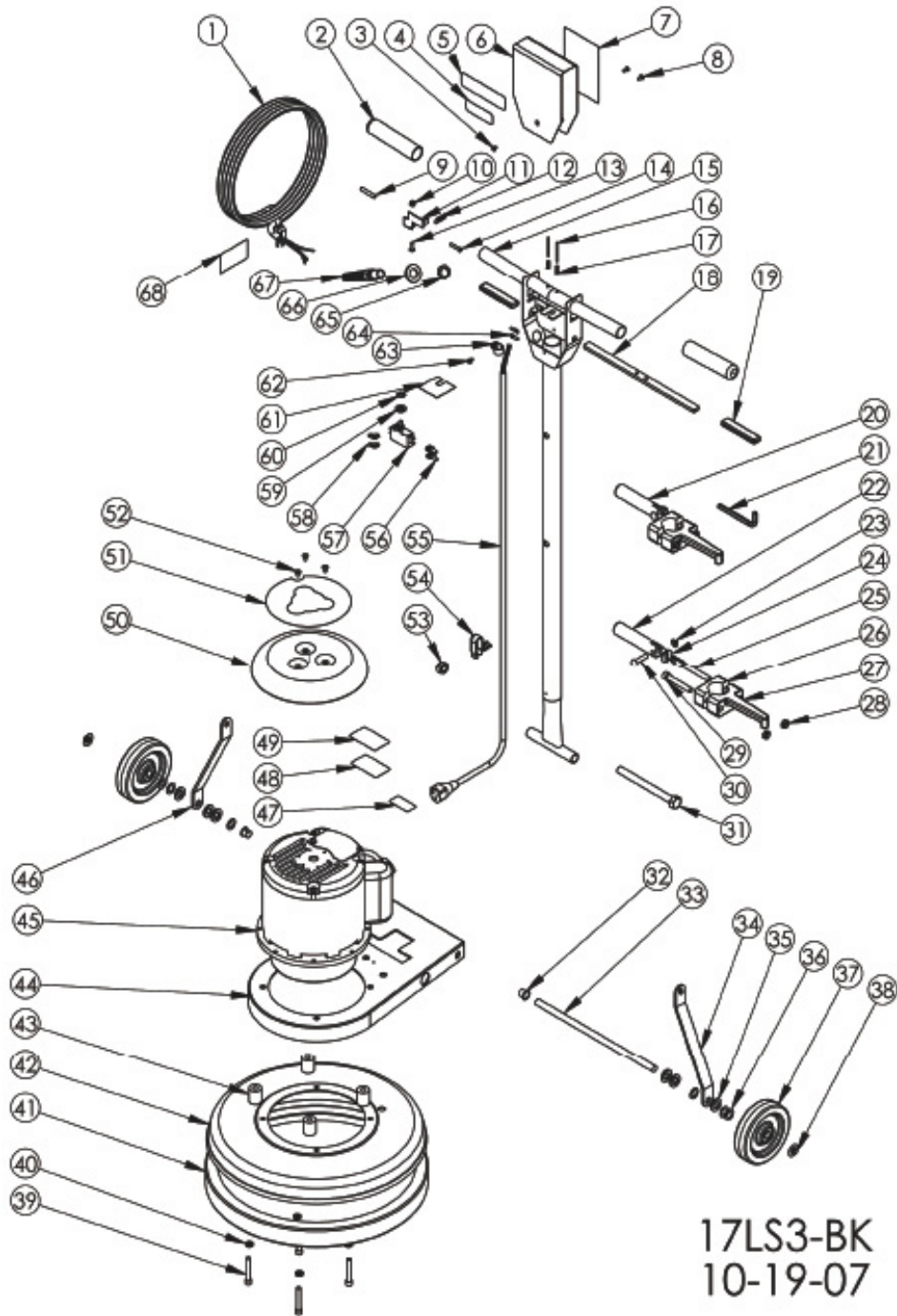
**WARNING: Do not store the machine with the drive block, pad driver or brush on the machine.**



## I7LS3-SS

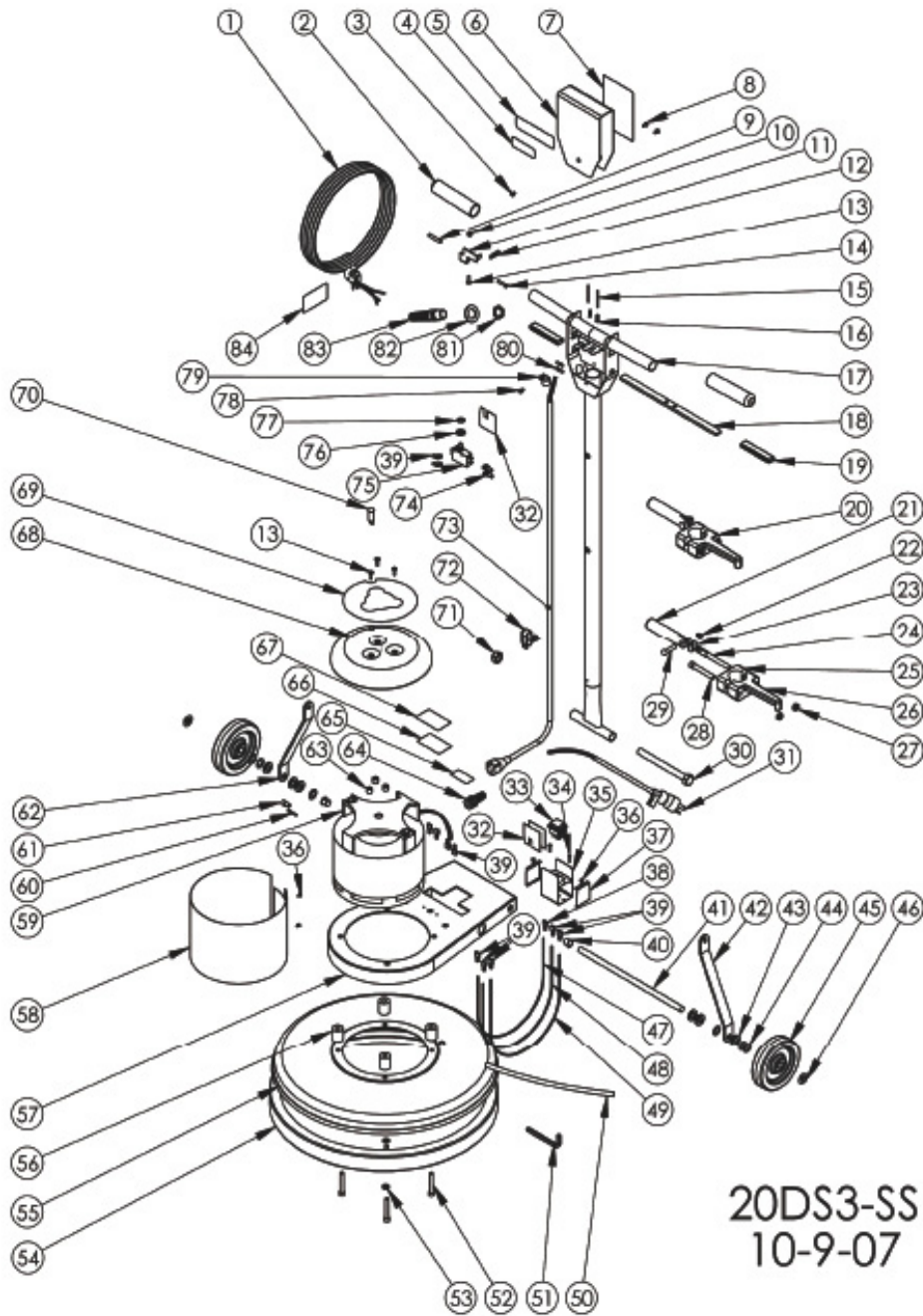
| ITEM # | PART #      | DESCRIPTION                                 | QTY |
|--------|-------------|---|-----|
| 1      | B11487      | POWER CORD, 14-3, 50 FT, SJTW               | 1   |
| 2      | K11498      | GRIP  | 2   |
| 3      | C11528      | SCREW, 10-32 X .25IN                        | 1   |
| 4      | H12086      | LABEL, 1.5 HP, SATURN                       | 1   |
| 5      | H11831      | LABEL, EDIC, BLACK-SILVER                   | 1   |
| 6      | D11496B     | SWITCH BOX COVER, BLACK                     | 1   |
| 7      | H11493      | LABEL, SAFETY, FLOOR MACHINE                | 1   |
| 8      | C11529      | SCREW, 10-32 X .375 IN                      | 2   |
| 9      | K11519      | LEVER GRIP, LOCKOUT, BLACK                  | 1   |
| 10     | C00278      | LOCKNUT, 10-32, NYLON, SS                   | 1   |
| 11     | D11494      | LOCKOUT BRACKET                             | 1   |
| 12     | U11524      | SPRING, LOCKOUT                             | 1   |
| 13     | C90007      | SCREW, 10-32 X .825 PHILLIP, TRUSS HEAD, SS | 1   |
| 14     | C11491      | SCREW, 10-32 X 1 IN SS                      | 1   |
| 15     | D11479      | HANDLE, CHROME FLOORMACHINE                 | 1   |
| 16     | C00306      | ROLL PIN, .125 X 1.75                       | 2   |
| 17     | D11523      | SPRING, TRIGGER                             | 2   |
| 18     | D11495      | TRIGGER, ZINC PLATED                        | 1   |
| 19     | K11520      | LEVER GRIP, TRIGGER BLACK                   | 2   |
| 20     | I1507A      | ASSEMBLED LOCKING HANDLE, CORD HOOK         | 1   |
| 21     | C11619      | ALLEN WRENCH, .31 IN                        | 1   |
| 22     | D11497      | HANDLE, LOCKING CLAMP                       | 1   |
| 23     | C11538      | CAP NUT, .31 IN, PUSH-ON                    | 1   |
| 24     | C00259      | WASHER, SLOTTED, ZINC                       | 1   |
| 25     | C11536      | SPADE BOLT, .375-16 X 4 IN                  | 1   |
| 26     | D11507      | CORD HOOK CLAMP                             | 1   |
| 27     | D11507-2    | CORD HOOK BODY                              | 1   |
| 28     | C11558      | LOCKNUT, BLACK OXIDE, THIN                  | 2   |
| 29     | C11502      | SOCKET CAP SCREW, .375-16 X 2.5 IN          | 1   |
| 30     | C11537      | DOWEL PIN, .31 X 1.5 IN                     | 1   |
| 31     | C13101      | SCREW, HEX CAP, M14-2.0                     | 1   |
| 32     | K00674      | BUSHING, .50 IN NYLON                       | 2   |
| 33     | D11510      | AXLE, FLOOR MACHINE                         | 1   |
| 34     | D11482      | HANDLE BRACE, RIGHT, BLACK                  | 1   |
| 35     | C00240      | WASHER, SHOULDER, NYLON                     | 6   |
| 36     | C11559      | WASHER, .515 X .875 X .032                  | 6   |
| 37     | G11943      | WHEEL, 5 IN SATURN                          | 2   |
| 38     | C02305      | CAP NUT, .5 IN PUSH-ON                      | 2   |
| 39     | C11501      | SOCKET CAP SCREW, .31-18                    | 4   |
| 40     | C00251      | LOCKWASHER, .31, SPLIT                      | 4   |
| 41     | E11477      | BUMPER, 17 IN FLOOR MACHINE                 | 1   |
| 42     | D11485-SS   | BRUSH COVER, 17 IN STAINLESS                | 1   |
| 43     | K11521      | SPACER, BASE, FLOOR MACHINE                 | 4   |
| 44     | D11483      | FRAME, MOTOR, BLACK                         | 1   |
| 45     | G11468      | MOTOR W/ GEARBOX, 1.5 HP                    | 1   |
| 46     | D11481      | HANDLE BRACE, LEFT, BLACK                   | 1   |
| 47     | H10976-1    | LABEL, UL STD 561-507                       | 1   |
| 48     | H00565-5    | LABEL, SERIAL #, STANDARD                   | 1   |
| 49     | H03545      | COVER, SERIAL #, LABEL                      | 1   |
| 50     | D11490C     | DRIP COVER, CHROME                          | 1   |
| 51     | H11830      | LABEL, SATURN, DRIP COVER                   | 1   |
| 52     | C11916      | SCREW, 10-32- X .375 PHILLIPS               | 3   |
| 53     | C13100      | NUT, M14-2.0 NYLON INSERT                   | 1   |
| 54     | B10734      | STRAIN RELIEF, HANDLE                       | 1   |
| 55     | B11513      | CORD, HANDLE, 14-3 SJTW                     | 1   |
| 56     | B11762      | TERMINAL LUG, NYLON, FEMALE                 | 2   |
| 57     | B11465      | SWITCH, DPST, PUSHBUTTON                    | 1   |
| 58     | B00177      | TERMINAL LUG, FEMALE, QD, .25 X .032        | 2   |
| 59     | C00252      | WASHER, .375 IN FLAT                        | 1   |
| 60     | C11541      | WASHER, .375 IN STAR                        | 1   |
| 61     | B11518      | SWITCH INSULATION                           | 1   |
| 62     | C00284      | SCREW, 10-32 X .375 GROUND                  | 1   |
| 63     | B00187      | CABLE CLAMP, NYLON, .43 IN                  | 1   |
| 64     | B00180-10-3 | RING TERMINAL, #10 CENTER                   | 2   |
| 65     | B11505      | STRAIN RELIEF NUT, METAL                    | 1   |
| 66     | C11560      | WASHER, .93 IN X 1.50D                      | 1   |
| 67     | B11504      | STRAIN RELIEF, METAL                        | 1   |
| 68     | H02548-2    | LABEL, IMPORTANT CARD                       | 1   |





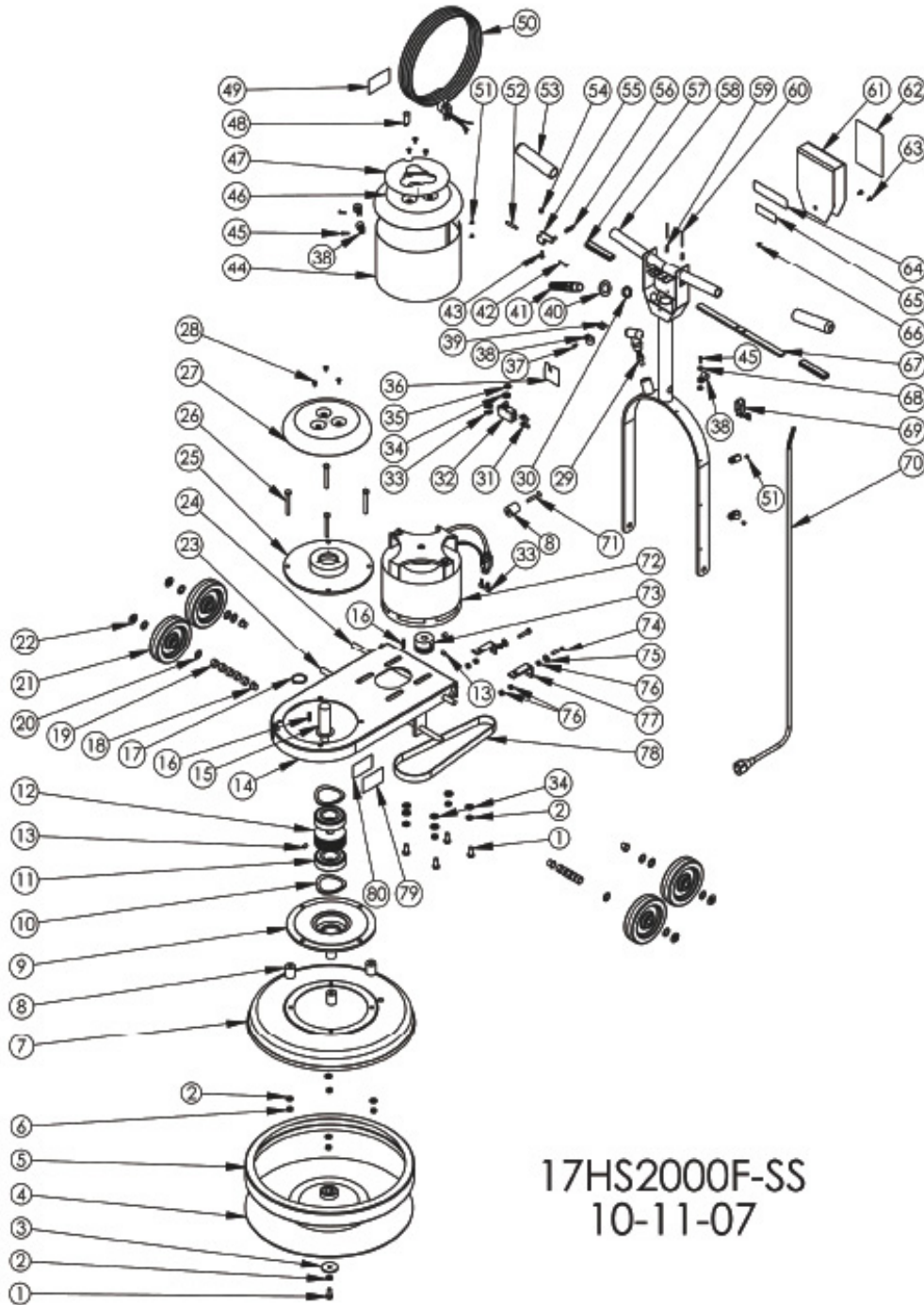
## I7LS3-BK

| ITEM # | PART #      | DESCRIPTION                                  | QTY |
|--------|-------------|--|-----|
| 1      | B11487      | POWER CORD, 14-3, 50 FT, SJTW                | 1   |
| 2      | K11498      | GRIP   | 2   |
| 3      | C11528      | SCREW, 10-32 X .25 IN                        | 1   |
| 4      | H12086      | LABEL, 1.5HP, SATURN                         | 1   |
| 5      | H11831      | LABEL, EDIC, BLACK-SILVER                    | 1   |
| 6      | D11496B     | SWITCH BOX COVER, BLACK                      | 1   |
| 7      | H11493      | LABEL, SAFETY, FLOOR MACHINE                 | 1   |
| 8      | C11529      | SCREW, 10-32 X .375 IN                       | 2   |
| 9      | K11519      | LEVER GRIP, LOCKOUT, BLACK                   | 1   |
| 10     | C00278      | LOCKNUT, 10-32, NYLON, SS                    | 1   |
| 11     | D11494      | LOCKOUT BRACKET                              | 1   |
| 12     | U11524      | SPRINGS, LOCKOUT                             | 1   |
| 13     | C90007      | SCREW, 10-32 X .825 PHILLIPS, TRUSS HEAD, SS | 1   |
| 14     | C11491      | SCREW, 10-32 X 1 IN, SS                      | 1   |
| 15     | D11479      | HANDLE, CHROME, FLOORMACHINE                 | 1   |
| 16     | C00306      | ROLL PIN, .125 X 1.75                        | 2   |
| 17     | D11523      | SPRING, TRIGGER                              | 2   |
| 18     | D11495      | TRIGGER, ZINC PLATED                         | 1   |
| 19     | K11520      | LEVER GRIP, TRIGGER BLACK                    | 2   |
| 20     | 11507A      | ASSEMBLED LOCKING HANDLE, CORD HOOK          | 1   |
| 21     | C11619      | ALLEN WRENCH, .31 IN                         | 1   |
| 22     | D11497      | HANDLE, LOCKING CLAMP                        | 1   |
| 23     | C11538      | CAP NUT, .31 IN PUSH-ON                      | 1   |
| 24     | C00259      | WASHER, SLOTTED, ZINC                        | 1   |
| 25     | C11536      | SPADE BOLT, .375-16 X 4IN                    | 1   |
| 26     | D11507      | CORD HOOK CLAMP                              | 1   |
| 27     | D11507-2    | CORD HOOK BODY                               | 1   |
| 28     | C11558      | LOCKNUT, BLACK OXIDE, THIN                   | 2   |
| 29     | C11502      | SOCKET CAP SCREW, .375-16 X 2.5 IN           | 1   |
| 30     | C11537      | DOWEL PIN, .31 X 1.5 IN                      | 1   |
| 31     | C13101      | SCREW, HEX CAP, M14-2.0                      | 1   |
| 32     | K00674      | BUSHING, .50IN NYLON                         | 2   |
| 33     | D11510      | AXLE, FLOOR MACHINE                          | 1   |
| 34     | D11482      | HANDLE BRACE, RIGHT, BLACK                   | 1   |
| 35     | C00240      | WASHER, SHOULDER, NYLON                      | 6   |
| 36     | C11559      | WASHER, .515 X .875 X .032                   | 6   |
| 37     | G11943      | WHEEL, 5 IN SATURN                           | 2   |
| 38     | C02305      | CAP NUT, .5IN PUSH ON                        | 2   |
| 39     | C11501      | SOCKET CAP SCREW, .31-18                     | 4   |
| 40     | C00251      | LOCKWASHER, .31, SPLIT                       | 4   |
| 41     | E11477      | BUMPER, 17 IN FLOOR MACHINE                  | 1   |
| 42     | D11485B     | BRUSH COVER, 17 IN, BLACK                    | 1   |
| 43     | K11521      | SPACER, BASE, FLOOR MACHINE                  | 4   |
| 44     | D11483      | FRAME, MOTOR, BLACK                          | 1   |
| 45     | G11468      | MOTOR W- GEARBOX, 1.5 HP                     | 1   |
| 46     | D11481      | HANDLE BRACE LEFT, BLACK                     | 1   |
| 47     | H10976-1    | LABEL, UL STD 561-507                        | 1   |
| 48     | H00565-5    | LABEL, SERIAL # STANDARD                     | 1   |
| 49     | H03545      | COVER, SERIAL #, LABEL                       | 1   |
| 50     | D11490B     | DRIP COVER, BLACK                            | 1   |
| 51     | H12913      | LABEL, DRIP COVER, WHITE                     | 1   |
| 52     | C11916      | SCREW, 10-32 X .375 PHILLIPS                 | 1   |
| 53     | C13100      | NUT, M14-2.0 NYLON INSERT                    | 1   |
| 54     | B10734      | STRAIN RELIEF, HANDLE                        | 1   |
| 55     | B11513      | CORD, HANDLE, 14-3 SJTW                      | 1   |
| 56     | B11762      | TERMINAL LUG, NYLON, FEMALE                  | 2   |
| 57     | B11465      | SWITCH, DPST, PUSHBUTTON                     | 1   |
| 58     | B00177      | TERMINAL LUG, FEMALE, QD, .25 X .032         | 2   |
| 59     | C00252      | WASHER, .375 IN, FLAT                        | 1   |
| 60     | C11541      | WASHER, .375 IN STAR                         | 1   |
| 61     | B11518      | SWITCH INSULATION                            | 1   |
| 62     | C00284      | SCREW, 10-32 X .375 GROUND                   | 1   |
| 63     | B00187      | CABLE CLAMP, NYLON, .43 IN                   | 1   |
| 64     | B00180-10-3 | RING TERMINAL, #10 CENTER                    | 2   |
| 65     | B11505      | STRAIN RELIEF NUT, METAL                     | 1   |
| 66     | C11560      | WASHER, .93 ID X 1.50D                       | 1   |
| 67     | B11504      | STRAIN RELIEF, METAL                         | 1   |
| 68     | H02548-2    | LABEL, IMPORTANT CORD                        | 1   |



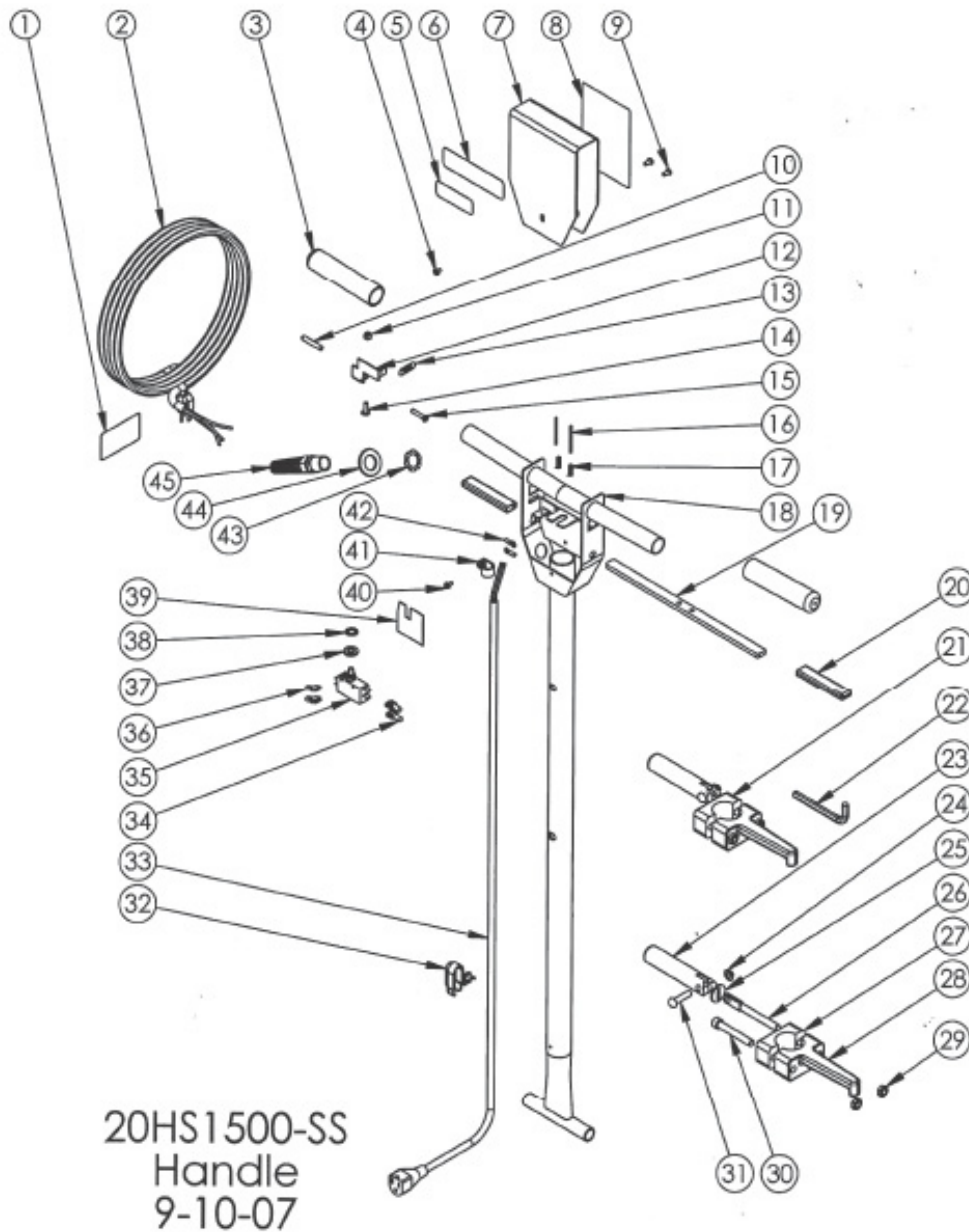
## 20DS3-SS

| ITEM # | PART #    | DESCRIPTION                                 | QTY | ITEM # | PART #      | DESCRIPTION                               | QTY |
|--------|-----------|---|-----|--------|-------------|---|-----|
| 1      | B11487    | POWER CORD, 14-3, 50 FT, SJTW               | 1   | 48     | B00185-40   | WIRE, 14 GA X 2FT, BLACK UL1015           | 1   |
| 2      | K11498    | GRIP  | 2   | 49     | B00185-86   | WIRE, 14 GA X 2FT, RED, UL1015            | 1   |
| 3      | C11528    | SCREW, 10-32 X .25 IN                       | 1   | 50     | B00228-2    | 1 FT SHRINKTUBE, .375 IN, POLY            | 1   |
| 4      | H12066    | LABEL, .5 HP, SATURN                        | 1   | 51     | C11619      | ALLEN WRENCH, .31 IN                      | 1   |
| 5      | H11831    | LABEL, EDIC, BLACK-SILVER                   | 1   | 52     | C11501      | SOCKET CAP SCREW, .31-18                  | 4   |
| 6      | D11496B   | SWITCH BOX COVER, BLACK                     | 1   | 53     | C00251      | LOCKWASHER, .31, SLIP                     | 4   |
| 7      | H11493    | LABEL, SAFETY, FLOOR MACHINE                | 1   | 54     | E11478      | BUMPER, 20 IN FLOORMACHINE                | 1   |
| 8      | C11529    | SCRFW, 10-32 X .375 IN                      | 2   | 55     | D11486-SS   | BRUSH COVER, 20 IN, STAINLESS             | 1   |
| 9      | K11519    | LEVER GRIP, LOCKOUT, BLACK                  | 1   | 56     | K11521      | SPACER, BASE, FLOORMACHINE                | 4   |
| 10     | C00278    | LOCKNUT, 10-32, NYLON, SS                   | 1   | 57     | D11483      | FRAME, MOTOR, BLACK                       | 1   |
| 11     | D11494    | LOCKOUT BRACKET                             | 1   | 58     | D11545      | MOTOR SCREEN                              | 1   |
| 12     | D11524    | SPRING, LOCKOUT                             | 1   | 59     | G1573       | MOTOR SCREEN                              | 1   |
| 13     | C90007    | SCEW, 10-32 X .625 PHILLIPS, TRUSS HEAD, SS | 4   | 60     | B00181      | BUTT CONNECTOR, BLUE 1 WIRE               | 1   |
| 14     | C11491    | SCEW, 10-32 X 1 IN, SS                      | 1   | 61     | B00179-1    | CLOSED END CNTR, 16-3                     | 1   |
| 15     | C00306    | ROLL PIN, .125 X 1.75                       | 2   | 62     | D11481      | HANDLE BRACE, LEFT, BLACK                 | 1   |
| 16     | D11523    | SPRING, TRIGGER                             | 2   | 63     | K11517      | SPACER, 19 ID X .375 HIGH X .50 OD, NYLON | 3   |
| 17     | D11479    | HANDLE, CHROME, FLOORMACHINE                | 1   | 64     | B11199      | STRAIN RELIEF, PIGTAIL W/ LOCKNUT         | 1   |
| 18     | D11495    | TRIGGER, ZINC PLATED                        | 1   | 65     | H10976-1    | LABEL, UL STD 561-507                     | 1   |
| 19     | K11520    | LEVER GIP, TRIGGER, BLACK                   | 2   | 66     | H00565-5    | LABEL, SERIAL #, STANDARD                 | 1   |
| 20     | 11057A    | ASSEMBLED LOCKING HANDLE, CORD HOOK         | 1   | 67     | H03545      | COVER, SERIAL #, LABEK                    | 1   |
| 21     | D11497    | HANDLE, LOCKING CLAMP                       | 1   | 68     | H11490G-M   | UNIP COVER W/ LIGHT, CHROME               | 1   |
| 22     | C11538    | CAP NUT, .31 IN, PUSH-ON                    | 1   | 69     | H11830      | LABEL, SATURN, DRIP COVER                 | 1   |
| 23     | C00259    | WASHER, SLOTTED, ZINC                       | 1   | 70     | B02196-1    | LIGH. MOTOR CARBON BRUSH WEAR             | 1   |
| 24     | C11536    | SPADE BOLT, .375-16 X 4IN                   | 1   | 71     | C13100      | NUT, M14-20 NYLON NSERT                   | 1   |
| 25     | D11507    | CORD HOOK CLAMP                             | 1   | 72     | B10734      | STRAIN RELIEF, HANDLE                     | 1   |
| 26     | D10507-2  | CORD HOOK BODY                              | 1   | 73     | B11513      | CORD, HANDLE, 14-3 SJTW                   | 1   |
| 27     | C11558    | LOCKNUT, .375-16, NYLON                     | 2   | 74     | B11762      | TERMINAL LUG, FEMALE                      | 2   |
| 28     | C11502    | SOCKET CAP SCREW, .375-16 X 2.5 IN          | 1   | 75     | B11465      | SWITCH, DPST, PUSHBUTTON                  | 1   |
| 29     | C11537    | DOWEL PIN, .31 X 1.5 IN                     | 1   | 76     | C00252      | WASHER, .375 IN, FLAT                     | 1   |
| 30     | C13101    | SCREW, HEX CAP, M14-2.0                     | 1   | 77     | C11541      | WASHER, .375 IN, STAR                     | 1   |
| 31     | B10719    | POWER CORD, 25', 16-3                       | 1   | 78     | C00284      | SCREW, 10-32 X .375 GROUND                | 1   |
| 32     | B11518    | SWITCH INSULATION                           | 3   | 79     | B00187      | CABLE CLAMP, NYLON, .43 IN                | 1   |
| 33     | B11751    | SWITCH, ROCKER DPDT, BLACK                  | 1   | 80     | B00180-10-3 | RING TERMINAL, #10 CENTER                 | 2   |
| 34     | C00293    | #8 X 5IN PAN, BLACK SMS, PHILLIPS           | 2   | 81     | B11505      | STRAIN RELIEF NUT, METAL                  | 1   |
| 35     | D11582    | BRACKET, SWITCH MOUNT                       | 1   | 82     | C11560      | WASHER, .93 ID X 1.5 OD                   | 1   |
| 36     | C00297    | SCEW, #8 X .25 IN PAN HEAD                  | 4   | 83     | B11504      | STRAIN RELIEF, METAL                      | 1   |
| 37     | D11646    | SWITCH BRACKET COVER                        | 2   | 84     | H02548-2    | LABEL, IMPORTANT CORD                     | 1   |
| 38     | B00177-1  | TERMINAL LUG, FEMALE, QD, .25 X .032        | 1   |        |             |   |     |
| 39     | B00177    | TERMINAL LUG, FEMALE, QD, .25 X .032        | 11  |        |             |   |     |
| 40     | K00674    | BUSHING, .50 IN, NYLON                      | 2   |        |             |   |     |
| 41     | D11510    | AXLE, FLOORMACHINE                          | 1   |        |             |   |     |
| 42     | D11482    | HANDLE, BRACE, RIGHT, BLACK                 | 1   |        |             |   |     |
| 43     | C00240    | WASHER, SHOULDER, NYLN                      | 6   |        |             |   |     |
| 44     | C11559    | WASHER, .515 X .875 X .032                  | 6   |        |             |   |     |
| 45     | G11943    | WHEEL, 5 IN, SATURN                         | 2   |        |             |   |     |
| 46     | C02305    | CAP NUT, .5 IN PUSH-ON                      | 2   |        |             |   |     |
| 47     | B00185-30 | WIRE, 14 GA X 2FT, WHITE, UL195             | 1   |        |             |   |     |



## I7HS2000F-SS

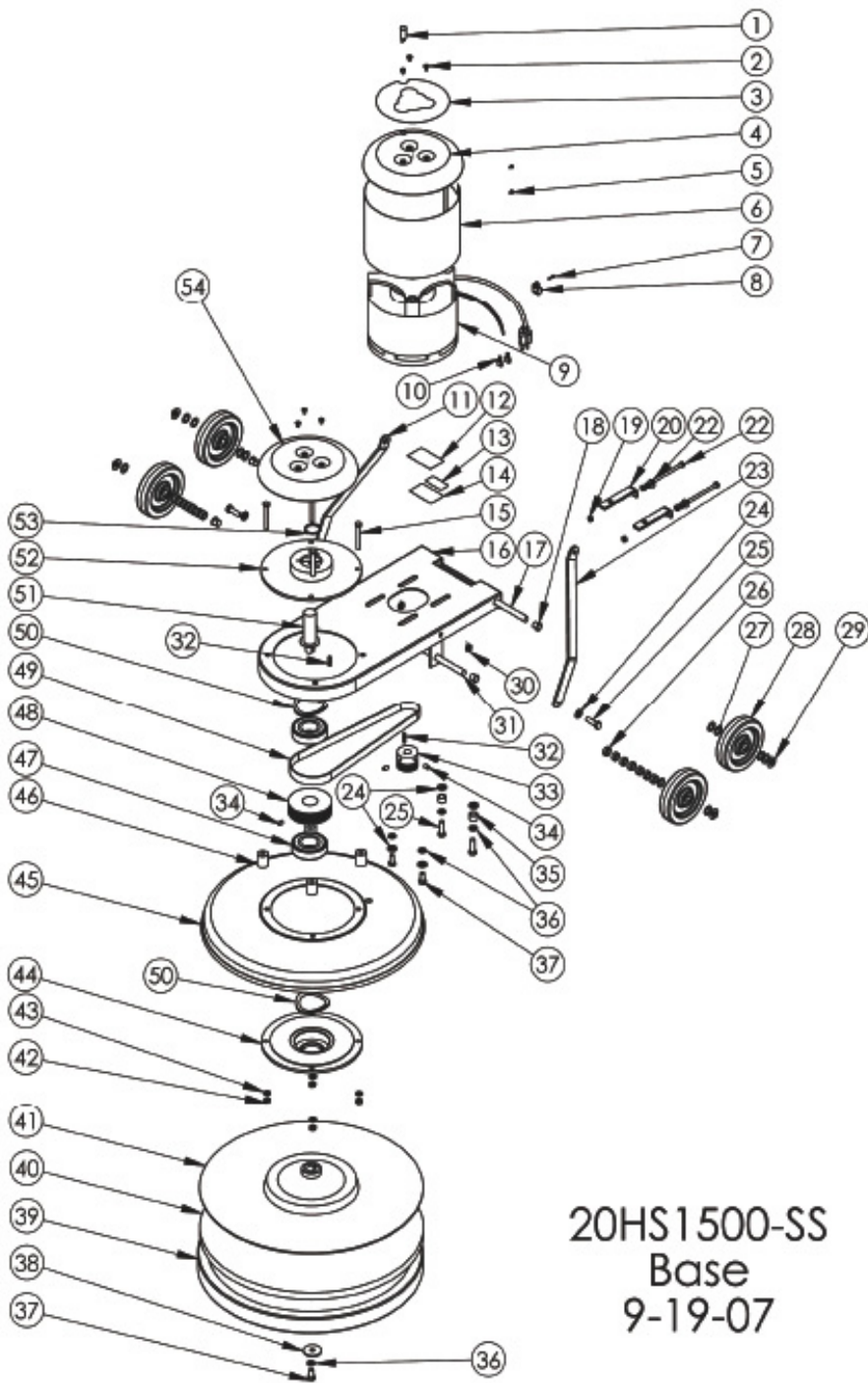
| ITEM # | PART #      | DESCRIPTION                                  | QTY | ITEM # | PART #   | DESCRIPTION                    | QTY |
|--------|-------------|--|-----|--------|----------|--------------------------------|-----|
| 1      | C11571      | HEX TAP BOLT, 3-8 X .75 IN                   | 5   | 47     | H11830   | LABEL, SATURN, DRIP COVER      | 1   |
| 2      | C00250      | LOCKWASHER, .375, SPLIT                      | 9   | 48     | B02196-1 | LIGHT, MOTOR CARBON BRUSH WEAR | 1   |
| 3      | D11535      | WASHER, 1.75 IN STEEL                        | 1   | 49     | H02548-2 | LABEL, IMPORTANT, CORD         | 1   |
| 4      | 1704BR      | PAD HOLDER, 17 IN HIGH SPEED                 | 1   | 50     | B11900   | POWERCORD, 12-3, 75 FT, SJTW   | 1   |
| 5      | E11477      | BUMPER, 17 IN FLOOR MACHINE                  | 1   | 51     | C00297   | SCREW, #8 X .25 IN PAN HEAD    | 4   |
| 6      | C00262      | NUT, 31-18, HEX                              | 4   | 52     | K11519   | LEVER GRIP, LOCKOUT, BLACK     | 1   |
| 7      | D11485-SS   | BRUSH COVER, 17 IN STAINLESS STEEL           | 1   | 53     | K11498   | GRIP                           | 2   |
| 8      | K11521      | SPACER, BASE, FLOOR MACHINE                  | 5   | 54     | C00278   | LOCKNUT, 10-32, NYLON, SS      | 1   |
| 9      | D11565      | BEARING PLATE, LOWER                         | 1   | 55     | D11494   | LOCKOUT BRACKET                | 1   |
| 10     | C11556      | WAVE WASHER                                  | 2   | 56     | D11524   | SPRING, LOCKOUT                | 1   |
| 11     | G11531      | BEARING                                      | 2   | 57     | K11520   | LEVER GRIP, TRIGGER, BLACK     | 2   |
| 12     | D11533      | PULLEY, 3.125 IN W-GROOVES                   | 1   | 58     | D11480-1 | HANDLE ASSM., FOLD DOWN        | 1   |
| 13     | C11567      | SET SCREW, .312 IN                           | 3   | 59     | D11523   | SPRING, TRIGGER                | 2   |
| 14     | D11747      | MOTOR FRAME, FLOOR MACHINE                   | 1   | 60     | C00306   | ROLL PIN, .125 X 1.75          | 2   |
| 15     | D11534      | SHAFT, 4.11 IN                               | 1   | 61     | D11498B  | SWITCH BOX COVER, BLACK        | 1   |
| 16     | C11555      | KEY MOTOR, .187 IN                           | 2   | 62     | H11493   | LABEL, SAFETY, FLOOR MACHINE   | 1   |
| 17     | C11574      | RETAINING RING                               | 1   | 63     | C11529   | SCREW, 10-32 X .375 IN         | 2   |
| 18     | K00674      | BUSHING, .50 IN, NYLON                       | 4   | 64     | H11831   | LABEL, EDIC, BLACK-SILVER      | 1   |
| 19     | A10600      | BUSHING, PVC, .750 X .375                    | 10  | 65     | H12069   | LABEL, 2000 RPM, SATURN        | 1   |
| 20     | C11559      | WASHER, .515 X .875 X .032                   | 10  | 66     | C11528   | SCREW, 10-32 X .25 IN          | 1   |
| 21     | G11943      | WHEEL, 5 IN SATURN                           | 4   | 67     | D11495   | TRIGGER, ZINC PLATED           | 1   |
| 22     | C02305      | CAP NUT, .5 IN PUSH-ON                       | 4   | 68     | C03251   | WASHER, .50 IN, FLAT           | 2   |
| 23     | D11732      | AXLE, .50 X 17.19                            | 1   | 69     | B10734   | STRAIN RELIEF, HANDLE          | 1   |
| 24     | D11731      | AXLE, .50 X 14.5                             | 1   | 70     | H11519   | CORD, HANDLE, 14-2 SJTW        | 1   |
| 25     | D11566      | BEARING PLATE, UPPER                         | 1   | 71     | C00287   | SCREW, .25-20 X 1.75 FATE      | 1   |
| 26     | C11568      | HEX, BOLT, 31-18 X 2.5 IN                    | 4   | 72     | G11557   | MOTOR, HIGH SPEED              | 1   |
| 27     | D11490C     | DRIP COVER, CHROME                           | 1   | 73     | D11532   | PULLEY, 3.125 IN W-GROOVES     | 1   |
| 28     | C11916      | SCREW, 10-32 X .375 PHILLIPS                 | 6   | 74     | C02310   | HEX BOLT, 1-4 X 20 X 1.25 IN   | 2   |
| 29     | D11733      | HANDLE LOCK, SPRING LOADED                   | 1   | 75     | C00233   | WASHER, FLAT, .25 IN           | 2   |
| 30     | B11505      | STRAIN RELIEF NUT, METAL                     | 1   | 76     | C00261   | NUT, .25-20, HEX               | 6   |
| 31     | B11762      | TERMINAL LUG, NYLON, FEMALE                  | 2   | 77     | D11752   | TENSION ADJUSTMENT BRACKET     | 2   |
| 32     | B11465      | SWITCH, DPST, PUSHBUTTON                     | 1   | 78     | L11750   | BELT, FOLD DOWN HI SPEED       | 1   |
| 33     | B00177      | TERMINAL LUG, FEMALE, QD, .25 X .032         | 4   | 79     | H03545   | COVER, SERIAL # LABEL          | 1   |
| 34     | C00252      | WASHER, .375 IN, FLAT                        | 7   | 80     | H00565-5 | LABEL, SERIAL #, STANDARD      | 1   |
| 35     | C11541      | WASHER, .375 IN, STAR                        | 1   |        |          |                                |     |
| 36     | B11518      | SWITCH, INSULATION                           | 1   |        |          |                                |     |
| 37     | C00284      | SCREW, 10-32 X .375 GROUND                   | 1   |        |          |                                |     |
| 38     | B00187      | CABLE CLAMP, NYLON, .43 IN                   | 6   |        |          |                                |     |
| 39     | B00180-10-3 | RING TERMINAL, #10 CENTER                    | 2   |        |          |                                |     |
| 40     | C11560      | WASHER, .9 ID X 1.5 OD                       | 1   |        |          |                                |     |
| 41     | B11504      | STRAIN RELIEF, METAL                         | 1   |        |          |                                |     |
| 42     | C11491      | SCREW, 10-32 X 1IN, SS                       | 1   |        |          |                                |     |
| 43     | C90007      | SCREW, 10-32 X .625 PHILLIPS, TRUSS HEAD, SS | 1   |        |          |                                |     |
| 44     | D11545      | MOTOR SCREEN                                 | 1   |        |          |                                |     |
| 45     | C00293      | #8 X .5IN PAN, BLACK SMS, PHILLIPS           | 3   |        |          |                                |     |
| 46     | H11940C-H   | DRIP COVER W -LIGHT, CHROME                  | 1   |        |          |                                |     |



## 20HS1500-SS HANDLE

| ITEM # | PART #      | DESCRIPTION                          | QTY |
|--------|-------------|--------------------------------------|-----|
| 1      | H02548-2    | LABEL, IMPORTANT, CORD               | 1   |
| 2      | B11900      | POWER CORD, 12-3, 75 FT, SJTW        | 1   |
| 3      | K11498      | GRIP                                 | 2   |
| 4      | C11528      | SCREW, 10-32 X .25 IN                | 1   |
| 5      | H12070      | LABEL, 1500 RPM, SATURN              | 1   |
| 6      | H11831      | LABEL, EDIC, BLACK-SILVER            | 1   |
| 7      | D11496B     | SWITCH BOX COVER, BLACK              | 1   |
| 8      | H11493      | LABEL, SAFETY, FLOOR MACHINE         | 1   |
| 9      | C11529      | SCREW, 10-32 X .375 IN               | 2   |
| 10     | K11519      | LEVER GRIP, LOCKOUT, BLACK           | 1   |
| 11     | C00278      | LOCKNUT, 10-32, NYLON,SS             | 1   |
| 12     | U11494      | LOCKOUT BRACKET                      | 1   |
| 13     | D11524      | SPRING, LOCKOUT                      | 1   |
| 14     | C90007      | SCREW, 10-32 X .625 PHILLIPS         | 1   |
| 15     | C11491      | SCW, 10-32 X 1 IN, SS                | 1   |
| 16     | C00306      | ROLL PIN, .125 X 1.75                | 2   |
| 17     | D11523      | SPRING, TRIGGER                      | 2   |
| 18     | D11479      | HANDLE, CHROME, FLOORMACHINE         | 1   |
| 19     | D11495      | TRIGGER, ZINC PLATED                 | 1   |
| 20     | K11520      | LEVER GRIP, TRIGGER, BLACK           | 2   |
| 21     | 11507A      | ASSEMBLED LOCKING HANDLE, CORD HOOK  | 1   |
| 22     | C11519      | ALLEN WRENCH, .31 IN                 | 1   |
| 23     | D11497      | HANDLE, LOCKING CLAMP                | 1   |
| 24     | C11538      | CAP NUT, .31 IN, PUSH-ON             | 1   |
| 25     | C00259      | WASHER, CLOTTED, ZINC                | 1   |
| 26     | C11536      | SPADE BOLT, .375-16 X 4 IN           | 1   |
| 27     | D11507      | CORD HOOK CLAMP                      | 1   |
| 28     | D11507-2    | CORD HOOK BODY                       | 1   |
| 29     | C11558      | LOCKNUT, BLACK OXIDE, THIN           | 2   |
| 30     | C11502      | SOCKET CAP SCREW, .375-16 X 2.5 IN   | 1   |
| 31     | C11537      | DOWEL PIN, .31 IN X 1.5 IN           | 1   |
| 32     | B10734      | STRAIN RELIEF, HANDLE                | 1   |
| 33     | B11513      | CORD, HANDLE, 14-3 SJTW              | 1   |
| 34     | B11762      | TERMINAL LUG, NYLON, FEMALE          | 2   |
| 35     | B11465      | SWITCH, DPST, PUSHBUTTON             | 1   |
| 36     | B00177      | TERMINAL LUG, FEMALE, QD, .25 X .032 | 2   |
| 37     | C00252      | WASHER, .375 IN, FLAT                | 1   |
| 38     | C11541      | WASHER, .375 IN, STAR                | 1   |
| 39     | B11518      | SWICH INSULATION                     | 1   |
| 40     | C00284      | SCREW, 10-32 X .375 GROUND           | 1   |
| 41     | B00187      | CABLE CLAMP, NYLON, .43 IN           | 1   |
| 42     | B00180-10-3 | RING TERMINAL, #10 CENTER            | 2   |
| 43     | B11505      | STRAIN RELIEF NUT, METAL             | 1   |
| 44     | C1560       | WASHER, .93 ID X 1.5 OD              | 1   |
| 45     | B11504      | STRAIN RELIEF, METAL                 | 1   |





20HS1500-SS  
 Base  
 9-19-07

## 20HS1500-SS BASE

| ITEM # | PART #    | DESCRIPTION  | QTY |
|--------|-----------|--|-----|
| 1      | B02196-1  | LIGHT, MOTOR CARBON BRUSH WEAR                         | 1   |
| 2      | C11916    | SCREW, 10-32 X .375 PHILLIPS                           | 6   |
| 3      | H11830    | LABEL, SATURN, DRIP COVER                              | 1   |
| 4      | D11490C-H | DRIP COVER, CHROME W/ HOLE FOR GREEN LIGHT             | 1   |
| 5      | C00297    | SCREW, #8 X .25 IN PAN HEAD                            | 2   |
| 6      | D11545    | MOTOR SCREEN   | 1   |
| 7      | C00293    | #8 X .5 IN PAN, BLACK SMS, PHILLIPS                    | 1   |
| 8      | B00187    | CABLE CLAMP, NYLON, .43 IN                             | 1   |
| 9      | G11557    | MOTOR, HIGH SPEED                                      | 1   |
|        |           | TERMINAL LUG, FEMALE, QD, .25 X .032, 16-14 AWG, FULLY |     |
| 10     | B00177    | INSULATED  | 2   |
| 11     | D11543    | HANDLE BRACE, LEFT                                     | 1   |
| 12     | H03545    | COVER, SERIAL #LABEL                                   | 1   |
| 13     | H10976-1  | LABEL, UL STD 561-507                                  | 1   |
| 14     | H00565-5  | LABEL, SERIAL #, STANDARD                              | 1   |
| 15     | C11568    | HEX BOLT, .31-18 X 2.5 IN                              | 4   |
| 16     | D11526    | FRAME, MOTOR, BLACK                                    | 1   |
| 17     | D11563    | AXLE, HANDLE   | 1   |
| 18     | K00674    | BUSHING, .50 IN, NYLON                                 | 4   |
| 19     | C00261    | NUT, .25-20, HEX                                       | 6   |
| 20     | D11542    | TENSION ADJUSTMENT BRACKET                             | 2   |
| 21     | C00233    | WASHER, FLAT, .25 IN                                   | 2   |
| 22     | C00319    | HEX TAP BOLT, 1-4 X 20 X 3.5 IN                        | 2   |
| 23     | D11544    | HANDLE BRACE, RIGHT                                    | 1   |
| 24     | C00252    | WASHER, .375 IN, FLAT                                  | 6   |
| 25     | C11569    | HEX TAP BOLT, 3-8 X 1.25 IN                            | 4   |
| 26     | K11561    | SPACER, .25 LG, NYLON, NATURAL                         | 14  |
| 27     | C11559    | WASHER, .515 X .875 X .032                             | 12  |
| 28     | G11943    | WHEEL, 5 IN SATURN                                     | 4   |
| 29     | C02305    | CAP NUT, .5 IN PUSH-ON                                 | 4   |
| 30     | C11558    | LOCKNUT, .375-18                                       | 2   |
| 31     | D11562    | AXLE, WHEEL  | 1   |
| 32     | C11555    | KEY, MOTION, .187 IN                                   | 2   |
| 33     | D11532    | PULLEY   | 1   |
| 34     | C11567    | SET SCREW, .312 IN                                     | 3   |
| 35     | K00662-50 | SPACER, .5 IN  | 2   |
| 36     | C00250    | LOCKWASHER, .375, SPLIT                                | 5   |
| 37     | C11571    | HEX TAP BOLT, 3-8 X .75 IN                             | 3   |
| 38     | D11535    | WASHER, 1.75 IN STEEL                                  | 1   |
| 39     | E11478    | BUMPER, 20 IN FLOOR MACHINE                            | 1   |
| 40     | F11988    | PAD, HI SPEED, 20 IN                                   | 1   |
| 41     | 2004BR    | PAD HOLDER, 20 IN, HIGH SPEED                          | 1   |
| 42     | C00262    | NUT, .31-18, HEX                                       | 4   |
| 43     | C00251    | LOCKWASHER, .31, SPLIT                                 | 4   |
| 44     | D11565    | BEARING PLATE, LOWER                                   | 1   |
| 45     | D11486-SS | BRUSH COVER, 20 IN, STAINLESS                          | 1   |
| 46     | K11521    | SPACER, BASE, FLOOR MACHINE                            | 4   |
| 47     | G11531    | BEARING  | 2   |
| 48     | D11547    | PULLEY, 3.875 IN (1500 RPM)                            | 1   |
| 49     | L11530    | BELT   | 1   |
| 50     | C11556    | WAVE WASHER  | 2   |
| 51     | D11534    | SHAFT, 4.11 IN   | 1   |
| 52     | D11566    | BEARING PLATE, UPPER                                   | 1   |
| 53     | C11574    | RETAINING RING   | 1   |
| 54     | D11490C   | DRIP COVER, CHROME                                     | 1   |