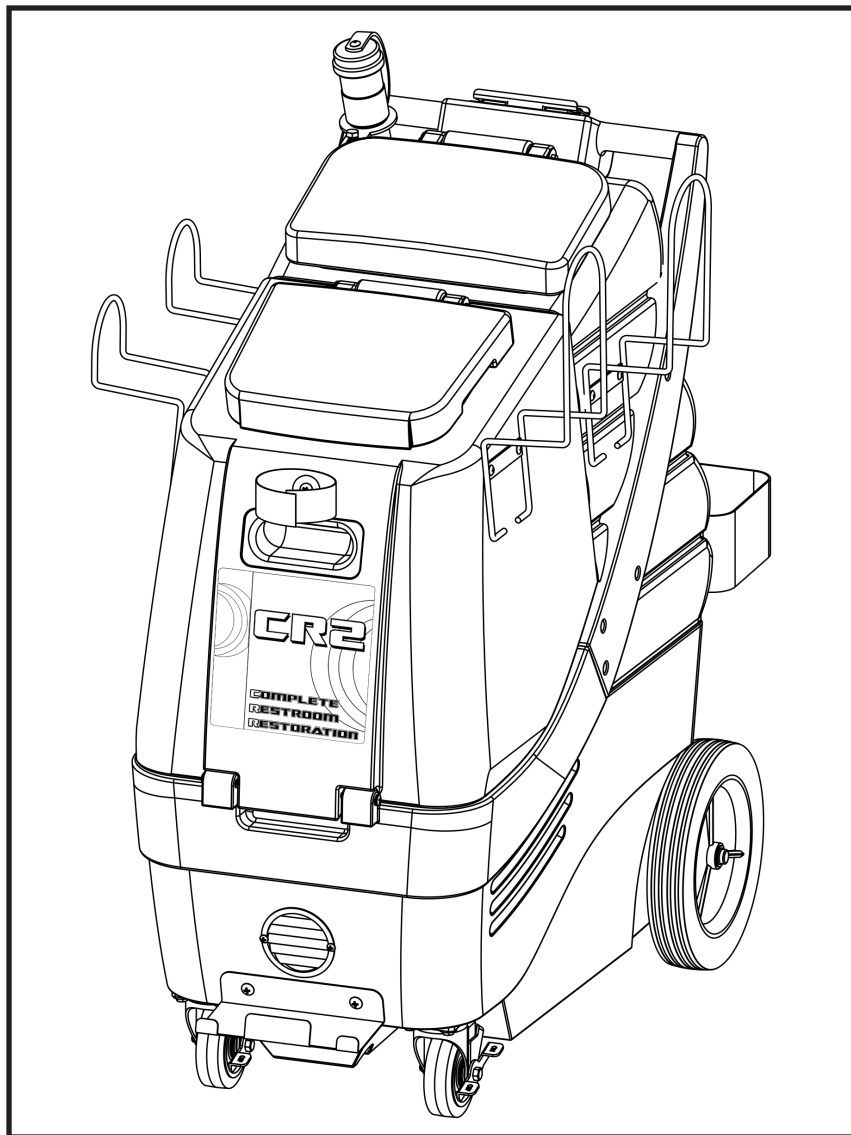


CR2

COMPLETE
RESTROOM
RESTORATION

17 GALLON PROFESSIONAL RESTROOM CLEANER OWNER'S/OPERATOR'S MANUAL



PROUDLY DESIGNED AND MANUFACTURED BY

EDIC



TABLE OF CONTENTS

RECEIVING YOUR EQUIPMENT.....	3
WARNINGS AND SAFETY.....	3, 4
ELECTRICAL INFORMATION.....	4
GFCI INFORMATION.....	4,5
GROUNDING INSTRUCTIONS.....	5
MAINTENANCE.....	6
CORD STORAGE AND SAFETY.....	6
MACHINE LAYOUT.....	7
INCLUDED ACCESSORIES.....	8
ASSEMBLING THE ACCESSORY RACKS.....	9
OPENING THE MACHINE.....	9
INSTALLING METERING TIPS.....	9
OPERATING INSTRUCTIONS FOR HARD SURFACE CLEANING.....	9,10
RECOVERING LIQUID FROM HARD SURFACES.....	10
USING THE BLOWER FEATURE.....	10
INSTALLING AN ACCESSORY HEATER (IF PURCHASED).....	10,11
USING AN ACCESSORY HEATER FOR CARPET OR UPH.....	11
CLEANING CARPET OR UPHOLSTERY WITHOUT A HEATER.....	11
UPPER ASSEMBLY BREAKDOWN.....	12,13,14
LOWER ASSEMBLY BREAKDOWN.....	15,16,17
NOTES.....	18
WARRANTY.....	19

UNPACKING YOUR NEW CR2:

When your package is delivered, check the carton carefully for signs of rough handling. If your CR2 is damaged, notify the carrier immediately and request an inspection. Be sure to keep the carton, packing inserts, packing lists and carrier's receipt until the inspector has verified your claim.

EDIC's liability ceases when the carrier picks up the shipment. However, our customer service staff will be happy to furnish any information needed in connection with the claim and will attempt to expedite a resolution.



PLEASE READ BEFORE OPERATING YOUR NEW CR2:

Read the manual carefully and completely before attempting to operate the unit. This manual has important information for the use and safe operation of the machine. Keep this manual handy at all times.

This equipment has been engineered and manufactured to provide excellent performance and service. To ensure that your equipment will continue to perform as intended:

- Maintain equipment regularly- following the suggested maintenance schedule provided.
- Use only original EDIC parts when servicing.
- Operate equipment with care.

If additional information is needed, please contact:
EDIC 800-338-3342

All information and specifications printed in the manual are current at the time of printing; however because of EDIC's policy of continual product development, we reserve the right to make changes at any time without notice.

FAILURE TO COMPLY WITH THE FOLLOWING WARNINGS AND INSTRUCTIONS WILL VOID THE WARRANTY.

WARNING!

- The machine was designed for use on hard surfaces, applications as per instructions and recommendations written in this manual. Any deviation from its proper use or purpose and the consequential damage that may occur is the sole responsibility of the end user.
- Disconnect the power cord from the outlet before servicing. Do not leave machine connected to an electrical outlet when unattended.
- Do not immerse or use this machine in standing water. Such use may cause electric shock.
- When using an extension cord, use only a 3-prong conductor grounding cord-12 gauge wire or heavier.
- To avoid electric shock, do not expose the unit to rain or snow. Store it indoors in a heated location only.
- Do not use the machine for dry vacuuming.
- Use defoamer at all times to prevent damage to the vacuum motor.
- Do not use water in excess of 130°F (54°C) in the solution tank
- To prevent seal damage and chemical build-up to the pump system, run clean water through the solution lines after each day's use.
- Use only commercially available carpet cleaning solutions and defoamer intended for use with machines of this type. Do not use dyes, bleaches, ammonia, or other additives.
- The use of powdered cleaning solution, if not diluted properly, may result in damage to the pump. Powdered chemical is not recommended. If powdered chemicals are used, premix in a separate container before placing in the solution tank.
- Always read and understand your chemical's MSDS (Material Safety Data Sheet) before use.
- This equipment is not designed to handle or use combustible/volatile substances such as gasoline or kerosene, in, on, or near the machine. The use of such materials will cause extreme hazardous condition.
- Do not expose machine to freezing temperatures.

- All repairs must be done by an authorized EDIC repair station.
- Do not use replacement parts other than original EDIC parts.
- Do not allow your spray stream to remain in one fixed location as surface damage may occur.
- Check that all spray nozzles are securely fastened. Loose nozzles could be ejected from equipment at high speeds.
- Prevent burns by wearing gloves or using a barrier to remove hot quick disconnects.
- This is not a toy. Keep away from children.
- Do not pull by the power or use power cord as a handle. Always unplug by grabbing the plug and pulling, do not unplug by pulling the power cord.
- Inspect cord for damage. Do not use damaged cords. Connect only to properly grounded outlets.
- Keep hair, fingers, loose clothing, and body parts away from moving parts and openings.
- Turn off all controls before disconnecting machine
- Use caution with ejected liquid or chemicals. High pressures and temperatures could be hazardous to nearby people or surroundings.
- Do not tamper with, or disable GFCI function.



ELECTRICAL - 115 Volt

Model: CR2

This machine is designed to operate on a standard 15 amp, 120 volt, 60 Hz, AC circuit. Voltages below 105 volt AC or above 125 volts AC could cause serious damage to the motor.

WARNING: Do not tamper with or disable the GFCI function.

GFCI FUNCTION:

For your safety, your CR2 is equipped with a built in GFCI (Ground Fault Circuit Interrupter). The GFCI function is automatic and, under normal operating conditions, the GFCI function will not be activated. A GFCI works by monitoring the amount of current that is flowing from hot to neutral. If the GFCI senses an imbalance in that flow, such as a ground leak, it will disable (interrupt) the electrical system to eliminate dangerous operating conditions. When the electrical system has been disabled, you will not be able to run the CR2, at all, until you reset the GFCI.

Before resetting, It is best practice to investigate the cause of a GFCI tripping the circuit.

Possible causes and solutions are:

- Your equipment has become wet and moisture has come in contact with the electrical system. **Take unit to an authorized repair location for servicing.**
- Your machine is submerged in liquid. **If it is safe to do so, remove the equipment and take unit to an authorized repair location for servicing.**
- There is damage to the power cord. **Replace the power cord immediately with the correct spec cord.**
- The wall plug or cord plug may be wet or in contact with water. **Using thick rubber gloves, unplug the cord from the wall.**
- A leak in your machine's plumbing may be wetting the internal electrical components. **Take the unit to an authorized repair location for servicing.**
- There is a loose or faulty electrical connection somewhere in your equipment. **Take the unit to an authorized repair location for servicing.**

To restore function to your equipment when the GFCI has tripped the circuit, press the button on the GFCI marked "RESET".

If a GFCI continues to trip after resetting, it indicates an unsafe operating condition is present and it is best to take it to an authorized repair location for servicing. Contact EDIC for assistance in locating an authorized repair location.

GFCI MAINTENANCE:

Although the GFCI function works on its own, it is necessary to test for proper function of your GFCI periodically.

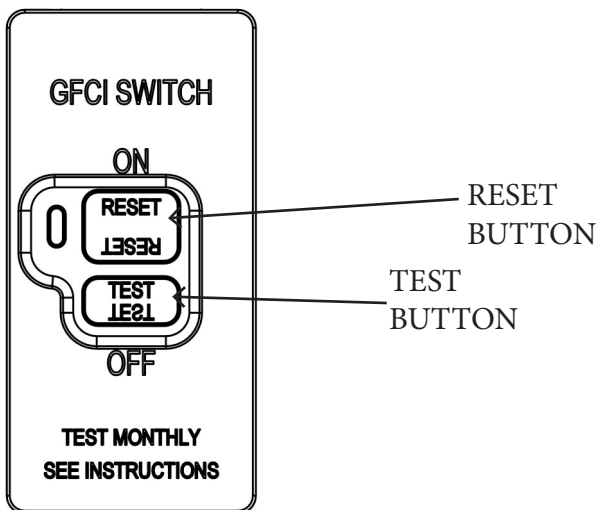
To do this:

1. Plug your equipment to an appropriate wall plug
2. Press the “TEST” button on the GFCI panel
3. Turn on the switches for “PUMP” and “MOTOR” (located on the switch panel on the handle).

If your motors turn on, then the GFCI is NOT working properly- do not use the equipment until this function has been repaired. Take the machine to an authorized repair location.

If neither motor powers on after pressing the “TEST” button then the GFCI is working properly.

Press the “RESET” button on the GFCI and the CR2 will be fully functional again.



WARNING: Do not remove the grounding pin from your power cord. Doing so will prevent the GFCI from performing properly and can allow dangerous operating conditions to go undetected. Replace power cords without grounding pins immediately.

GROUNDING INSTRUCTIONS:

This piece of equipment must be grounded. Should an electrical malfunction occur, grounding provides a path of least resistance for electrical current- reducing the risk of electric shock. This piece of equipment is furnished with a cord that has a grounding conductor and grounding plug. The grounded plug must only be plugged into an appropriate outlet that is properly installed and grounded in accordance with all local codes and ordinances.

WARNING:

Connecting the equipment to an improperly grounded outlet can result in an increased risk of electric shock. A qualified electrician should be consulted if you are unsure that the outlet is properly grounded. Do not modify the plug provided with the equipment. If it will not fit the outlet, have a proper outlet installed by a qualified electrician.

This appliance is designed for use on a 120-volt circuit. The grounding plug provided looks like the plug illustrated in Figure 1. Replace the power cord if the grounding pin is damaged or broken.

Extension cords connected to this machine should be 12 gauge, three-wire cords with three-prong plugs and outlets. DO NOT use extension cords more than 25 feet (7.6 m) long.

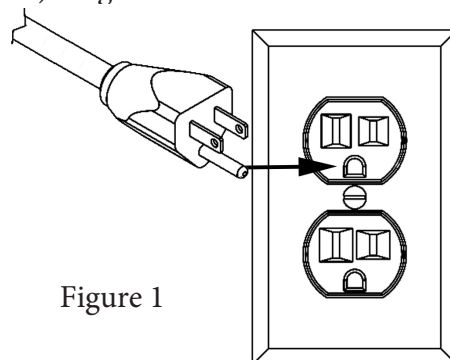


Figure 1

MAINTENANCE:

This CR2 has been engineered and built to require minimum maintenance. But like any machine, it does require some care to keep it in optimum working condition.

Careful attention to these maintenance instructions will give you maximum operating performance and life expectancy of the machine.

CAUTION: Disconnect the power cord from the outlet before doing any clean up or maintenance on the machine

1. Keep the machine clean. Do not allow dust to accumulate on external surfaces or near any moving parts.
2. After every job, wipe down the surface of the machine with a clean damp cloth.
3. Inspect cord for damage. Do not use machine with a damaged cord.

PERIODIC MAINTENANCE

- Use only chemicals safe for extractors
- Adhere to the appropriate mix ratios for all chemicals
- Do not add chemical to the solution tank- use the chemical feed system or prespray
- For optimal performance, it is suggested that the operator flush the system after every job or at the end of the day.
- Pump seals and valves may need to be replaced at the 1000 hour mark if a loss in pressure is noted
- The pressure regulator may require servicing should a pressure drop be noted

Daily:

- Flush chemical lines with water by placing clean water in the solution tank and using the pump to spray.
- Check and clean vacuum filter

Weekly:

- Check and clean solution filter
- Check for obstructions in vacuum pathways
- Quarterly:
 - Check pump, plumbing and fittings for leaks
 - Check power cords and hoses for tears

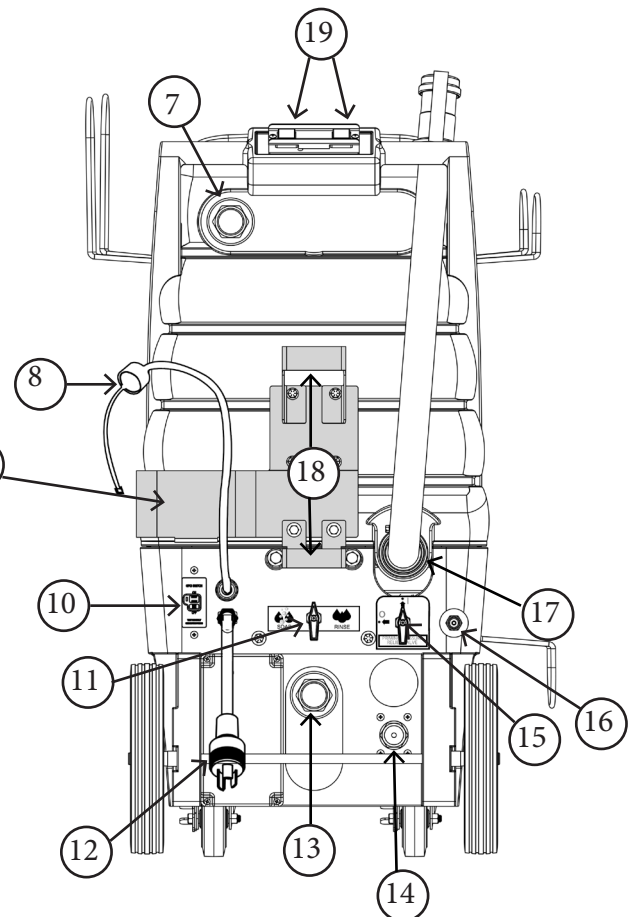
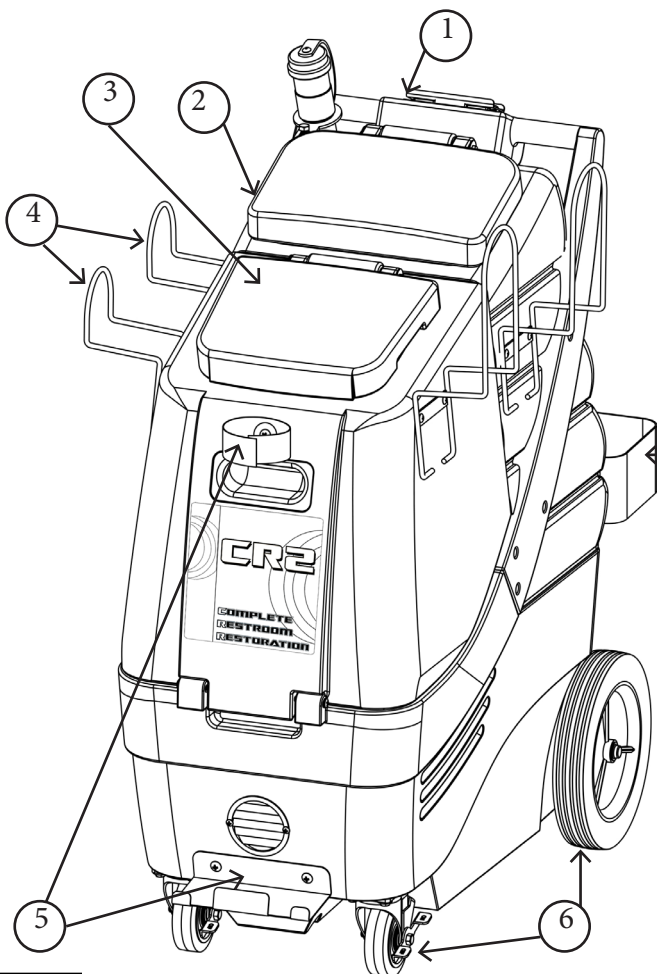
CORD STORAGE:

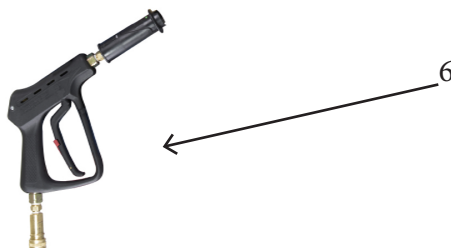
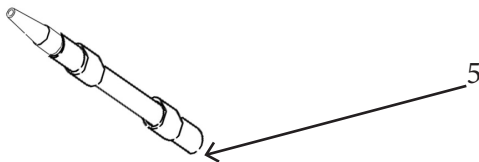
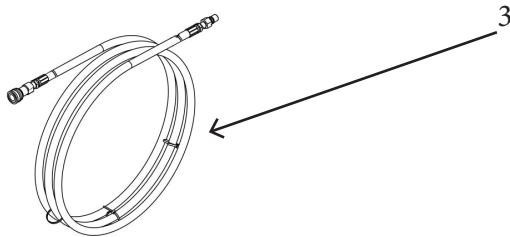
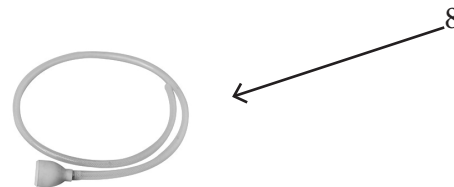
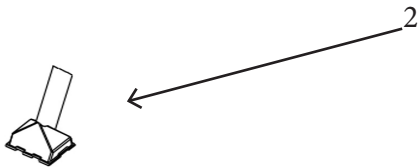
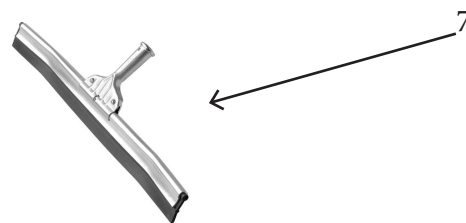
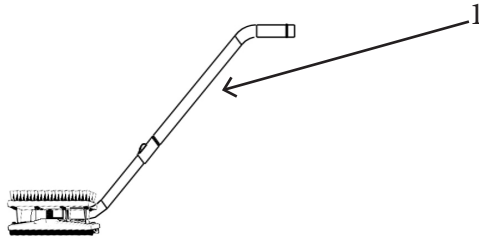
While not in use, storage can be accomplished by winding cord around accessory racks. Cord should be completely unwound during operation.

CORD SAFETY

- Do not leave appliance when plugged in. Unplug from outlet when not in use and before servicing
- Do not use with damaged cord or plug. If appliance is not working as it should, has been dropped, damaged, left outdoors, or dropped into water, return to service center for inspection and repair.
- Do not pull or carry by cord, use cord as handle, close a door on cord, or pull cord around sharp edges or corners. Do not run this CR2 over cord. Keep cord away from heated surfaces.
- Do not unplug by pulling cord. To unplug, grasp the plug, not the cord.
- Do not handle plug or appliance with wet hands.
- This equipment should be stored indoors and not exposed to rain.

1. Handle- Used to maneuver and position the CR2
2. Recovery tank lid- Allows access to recovery tank and creates a seal to ensure suction
3. Solution tank lid- Allows access to the solution tank and prevents external contamination of solution tank
4. Accessory racks for hoses, cords, tools etc.- Two large racks on one side and one three small racks on each side of the machine. 5 total
5. Wand storage bracket and velcro strap- Allows the operator to secure a wand attachment to the machine for ease of transport
6. Non-marking front 4" locking casters and rear 10" wheels
7. Recovery/vacuum hose inlet barb- connect your recovery vacuum hose to this barb
8. Feed hose line for chemical with threaded bottle cap-secures the feed hose line to the chemical bottle
9. Bottle holder for chemical feed system- Holds up to a one gallon chemical bottle
10. GFCI breaker- Interrupts and disables the electrical system if a ground leak is detected.
11. Chemical dispensing valve- Select between "SOAP" and "RINSE" by turning to left or right as marked
12. Power cord
13. Exhaust port hose barb- Used to connect to hose with blower attachment.
14. Pressure regulator- Decrease pressure by turning counter-clockwise or increase pressure by turning clockwise
15. Priming/pressure relief valve- Prime system in the event of air lock. Relieves pressure in the event of pressure lock
16. Solution line Q.D.- Pressurized connection for solution line
17. Recovery tank dump hose
18. Heater mounting brackets- for accessory heater
19. Switch box- one switch marked "PUMP" and one switch marked "VACUUM". Switches light up when powered on.





1. Part# 334ACH-2

2 piece wand and reversible brush/squeegee head assembly. For scrubbing on one side and picking up water on the other. Connects to hose #4 on this page.

2. Part# K13686

“Gulper” tool Used to extract large volumes of water. Connects to hose #4 on this page.

3. Part# 00604-50HPA

50FT high pressure solution line. Connects to quick disconnect on CR2 (#16 on page 4)

4. Part #J14062A

45 FT Vacuum Hose. Connects to vacuum hose inlet barb on CR2 (#7 on page 4)

5. Part #J14039A

45ft Blow hose. Connects to Exhaust port on CR2 (#13 on page 4)

6. Part #9000AC-1

High Pressure gun. Connects to hose #3 on this page.

7. Hand Squeegee

Used to remove excess liquid from smooth vertical surfaces.

8. Part # J13975

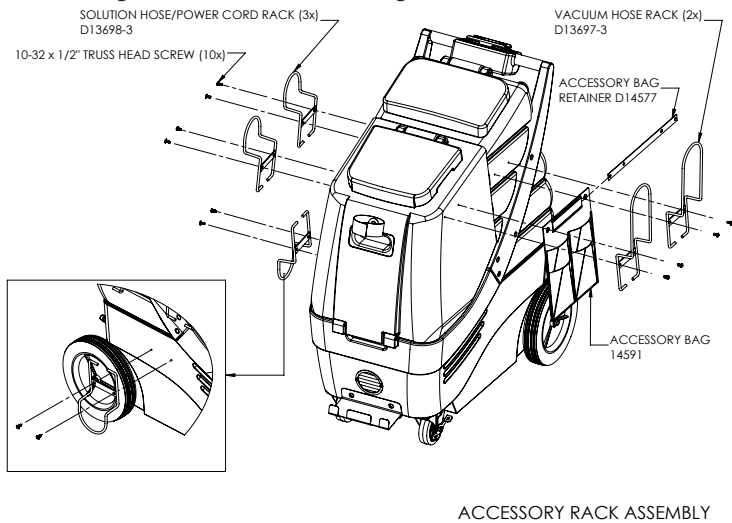
Faucet Adapter. Presses on to most standard faucets to easily fill the CR2 without using buckets.

*NOT SHOWN- ACCESSORY MESH BAG

Assembling the accessory racks:

The CR2 is shipped with the accessory racks and hardware in the solution tank. When you receive your CR2, it is necessary to secure the racks to the body. The only tool required to complete the assembly is a Phillips head screwdriver.

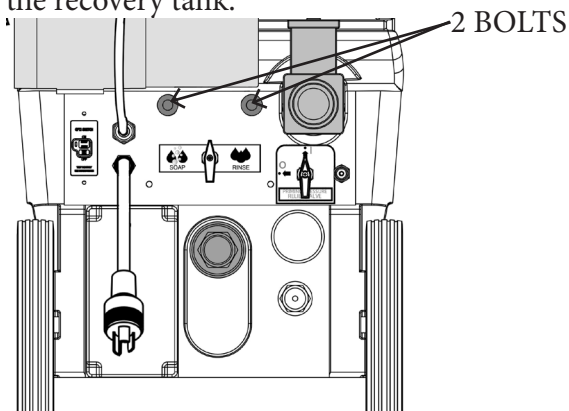
The CR2 comes equipped with pre-installed threaded inserts in the body. The two larger racks and accessory bag are installed on the left side of the machine (when holding the handle). The three smaller racks are installed on the right side (when holding the handle).



ACCESSORY RACK ASSEMBLY

Opening the machine:

This unit can be opened by simply removing two bolts located on the back of the machine. The unit will open forward by lifting up on the handle. If you need to open the unit further, you may release the vacuum hose going from the base of the vacuum plate to the bottom of the recovery tank by loosening the hose clamp at the base of the recovery tank.



Installing metering tips for the Chemical feed system:

Remove the semi-clear hose from the bottle cap (#8 on page 7). Metering tips have a threaded pattern that is matched to the bottle cap.



Select the appropriate metering tip, using the chart below, and thread it clockwise into the threaded tube on the bottle cap. Turn counter-clockwise to remove.

Metering tip color guide:

TIP COLOR	RATIO	OZ/GAL	ML/L
TAN	128:1	1	7.8
PINK	64:1	2	15.6
LIGHT BLUE	43:1	3	23.4
RED	32:1	4	31.2
GREEN	26:1	5	39.1
YELLOW	13:1	10	78.2
PURPLE	6.5:1	20	156.4
NO TIP	5:1	25	203

Hard surface Cleaning with Chemical feed system:

The chemical feed system is designed to deliver accurate chemical dilution for touchless surface cleaning.

1. Fill the solution tank of your CR2 with sufficient water for the task at hand.
2. Connect solution hose and accessory pressure gun.
3. Select the appropriate tip and install on the cap of the chemical feed (#8 on page 7).
4. Place a bottle into bottle holder (#9 on page 7).
5. Take the feed tube attached to the cap (#8 on page 7) and place it inside the bottle.
6. Take the cap from #8 on page 7 and thread it onto the bottle of chemical to secure it in place.
7. Turn the chemical dispensing valve (#11 on page 7) to the left toward the word "SOAP".
8. Chemical will draw Accurately only in the "LOW" pressure setting of your pressure gun. To activate the "LOW" pressure, pop the collar of the gun out.
9. In "LOW" pressure, apply chemical to the walls and fixtures starting from the lowest point to the highest.
10. Spray the floor as you make your way out of the room.
11. Allow the chemical to dwell according to the chemical manufacturers recommendations.
12. You may use the brush on your squeegee/brush wand to agitate particularly soiled areas.
13. When you are ready to rinse away the chemical, simply turn the chemical dispensing valve (#11 on page 7) to the word "RINSE".
14. Set your pressure gun to the desired pressure and angle of spray by adjusting the collar. Rinse surfaces starting from the top down.
15. See "Recovering liquid" for final steps.

Recovering liquid from hard surfaces:

The CR2 is equipped with two dedicated tools for liquid recovery: The squeegee/brush wand and the Gulper tool.

1. Connect recovery vacuum hose to the recovery inlet barb (#7 on page 7).
2. Place the vacuum switch (see #18 on page 7) into the "ON" position.
3. Using either the squeegee/brush wand or the Gulper

tool, to extract the liquid from the surface. (see page 8).

4. Monitor the levels in the recovery tank and empty as necessary. Use defoamer to ensure your vacuum motor does not take in foam/fluid.

Using the blower feature:

To use, this feature connect the Blower hose (#5 on page 8) to #13 on page 7 and turn on the vacuum motor.

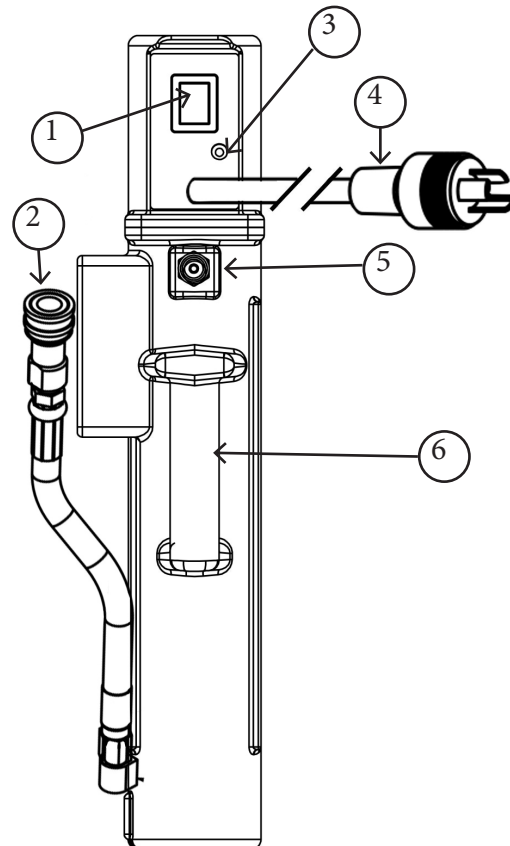
Convenient for:

- Blowing fluid off countertops and walls onto the floor
- Drying faucets and other fixtures
- Blowing off dust

NOTE: Do not leave the blower hose on during normal extraction as it will restrict suction.

Installing an accessory heater:

If a 600HR Heat "n" Run heater system has been purchased for the CR2, use the following illustration to familiarize yourself with the heater.



1. Power switch- Lights up when switched to power “ON”
2. “INLET” hose connect to male Q.D. (#16 on page 4)
3. Lamp will turn on anytime the heat element is activated. Lamp will turn off any time max temp is reached.
4. Male twist lock Pigtail- connects to 50 ft cord
5. “OUTLET” male Q.D.- Connect to your 35ft solution line
6. Handle

How to prepare an accessory heater for carpet cleaning or upholstery:

1. Mount the Heater by lining up the two “legs” to the two mounting brackets on the rear of the machine. (#18 on page 7).
2. Connect your heater’s “INLET” hose (#2 on page 10) to #16 on page 7.
3. Connect your 35 ft solution hose (#3 on page 8) to the heater’s “OUTLET” Q.D. (#5 on page 10).
4. Connect your wand or upholstery tool to your 35ft solution hose and 35ft Vacuum hose.
5. Connect the power cord for the machine and the power cord for the heater into two separate plugs on two separate circuits. You may use a 988CS circuit locator if available to locate two separate circuits.
6. Fill the solution tank of your CR2 with water.
7. Place the pump switch into the “ON” position.
8. Make sure Chemical Dispensing Valve is in the “RINSE” position.
9. If necessary, allow pump to prime for 10-30 seconds by turning the priming/pressure relief valve (#15 on page 4) 45 degrees to the left to the “O” open position.
10. Allow pump to prime
11. Close the priming valve.
12. Turn pump on and spray out of your wand or upholstery tool until you have an uninterrupted stream.
13. Turn heater on and allow up to 3 minutes for the unit to heat up.
14. The heater is ready for use once the green lamp (#3 on page 6) shuts off the first time. Once you start cleaning carpet, the green lamp will turn on and off throughout your job as the thermostats regulate the temperature.
15. Prespray as necessary.

16. Turn on the vacuum motor.
17. Spray on the backstroke and do a dry stroke when pushing forward.
18. Overlap your previous path slightly when you pull back.
19. Monitor the levels in the recovery tank and empty as necessary. Use defoamer to ensure your vacuum motor does not take in fluid

DO NOT ALLOW HEATER TO BE RUN DRY.
DO NOT ALLOW HEATER TO FREEZE.

Cleaning carpet or upholstery without a heater:

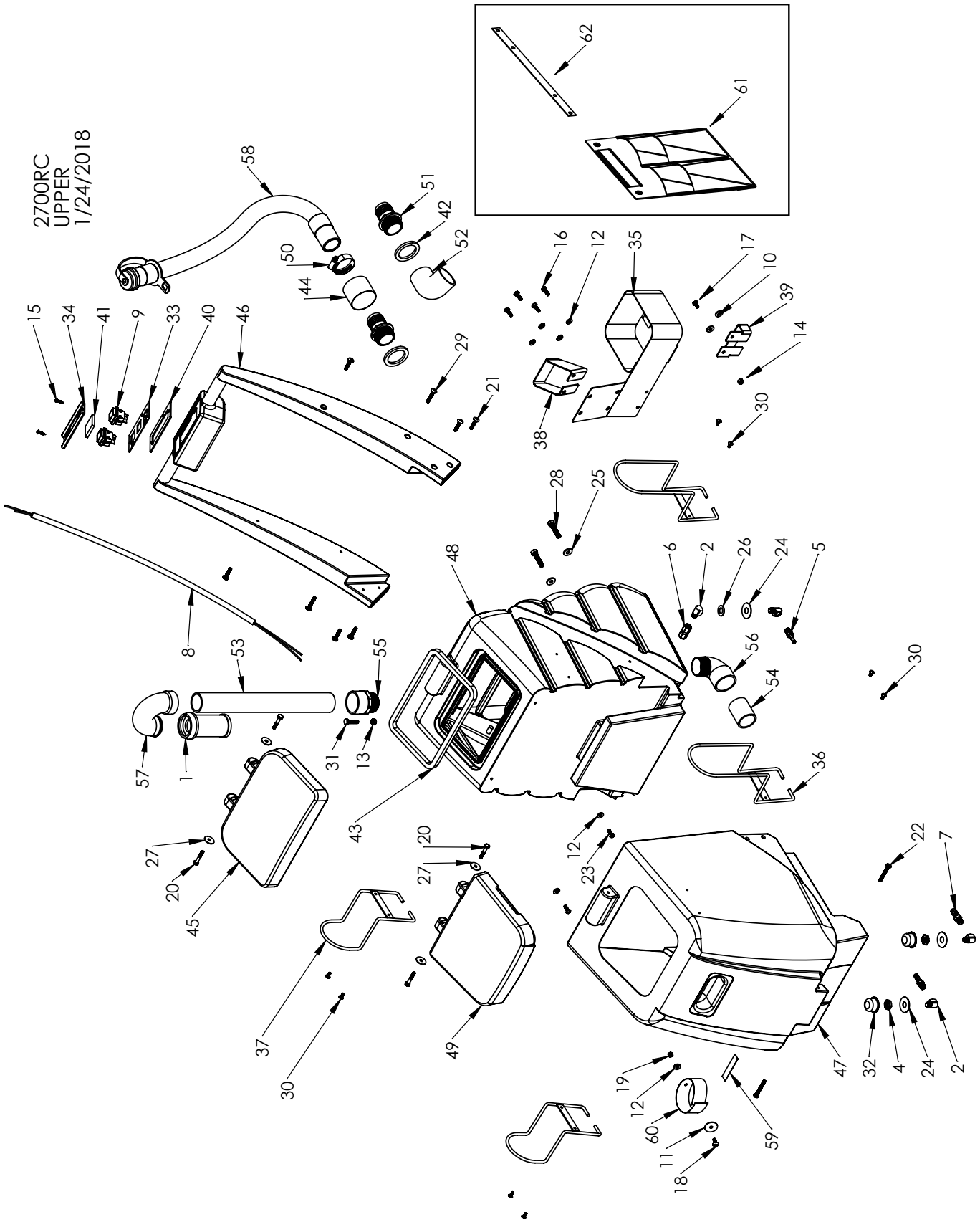
The CR2 can be used as a cold water extractor.

If you do not have an accessory heater, then perform the steps below.

1. Prespray the area of carpet to be cleaned
2. Connect your solution line
3. Connect your recovery vacuum hose
4. Connect your wand or upholstery tool to the solution and vacuum hoses
5. Fill the solution tank of your CR2 with water
6. Make sure Chemical Dispensing Valve is in the “RINSE” position
7. Place the pump switch into the “ON” position
8. If necessary, allow pump to prime for 10-30 seconds by turning the priming/pressure relief valve (#15 on page 4) 45 degrees to the left to the “O” open position.
9. Allow pump to prime
10. Close the Priming valve
11. Turn on the vacuum motor
12. Spray on the backstroke and do a dry stroke when pushing forward.
13. Overlap your previous path slightly when you pull back
14. Monitor the levels in the recovery tank and empty as necessary. Use defoamer to ensure your vacuum motor does not take in fluid

NOTE: The CR2 Chemical system does not apply chemical in carpet mode. You may use traditional in-tank or prespray methods.

2700RC
UPPER
1/24/2018





2700RC
UPPER
1/24/2018

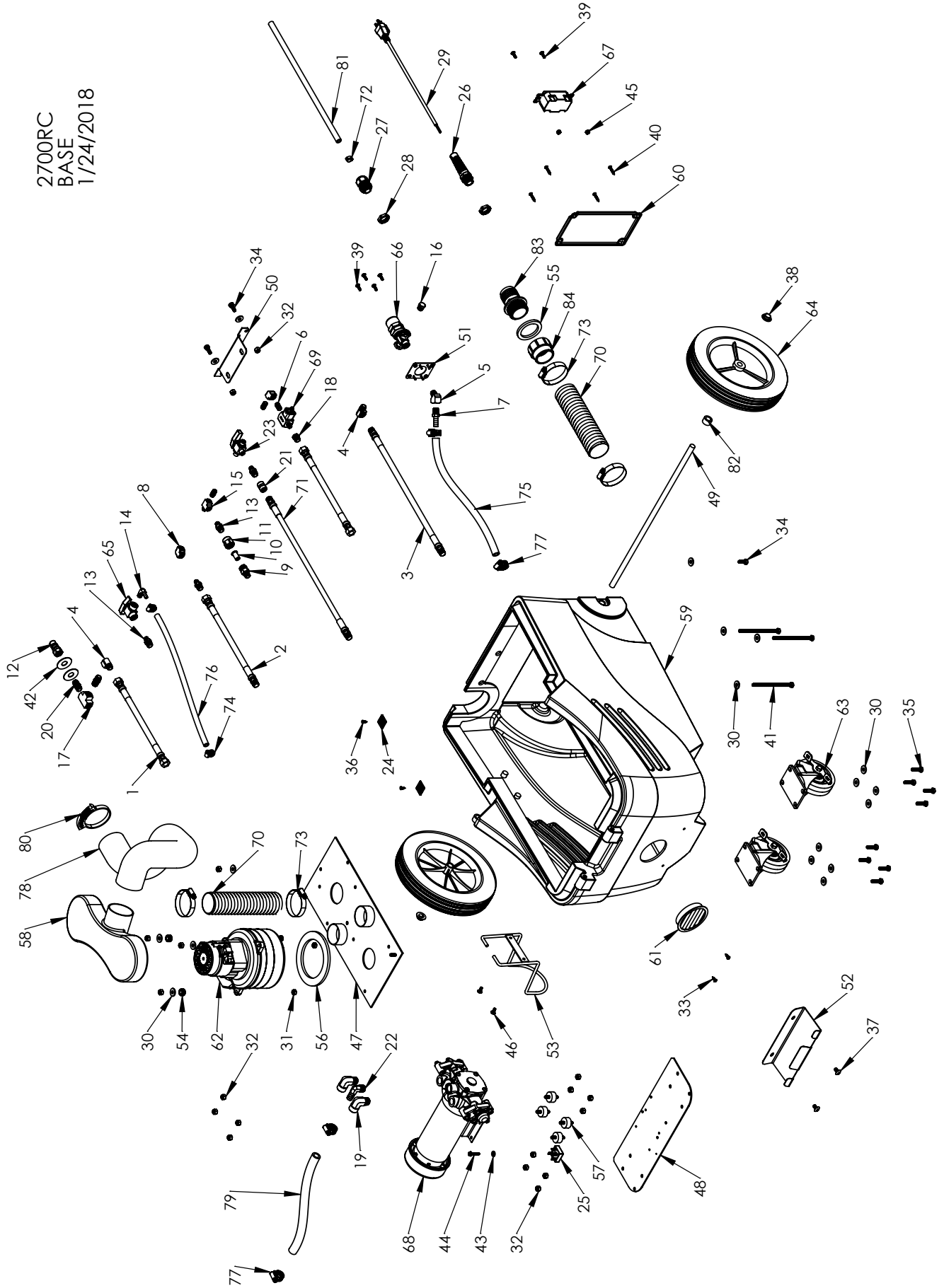
ITEM NO.	PART NUMBER	DESCRIPTION	QTY.
1	10989-2A	BALL FLOAT	1
2	A00052	90 DEGREE ELBOW, .25" MP X .25" FP	4
3	A00060	BARB, .375" X .25" MPT, BRASS	1
4	A00124	LOCKNUT, .25NPT, BRASS	2
5	A00139	BARB, .25 X .25MP, BRASS	1
6	A13881	CHECK VALVE	1
7	A90004	BARB, .5 X .25MP, BRASS	1
8	B010314	WIRE HARNESS	1
9	B02211-1	ROCKER SWITCH	2
10	C00233	FLAT WASHER, USS, SAE, .25" ID	2
11	C00234	WASHER, FENDER, .25" ID, SS	1
12	C00238	1/4" ID SEALING WASHER	7
13	C00262	HEX NUT, 5/16-18, ZP	1
14	C00273	1/4-20 NYLON-INSERT LOCKNUT	2
15	C00295-1	#10 X 3/4" SHEET METAL SCREW, SS	2
16	C00313	1/4-20 X .75" HEX BOLT	4
17	C00313-1	HEX SCREW, 1/4-20 X 1/2, SS	2
18	C00316	SCREW, 1/4-20 X 3/4, PH, SS	1
19	C02251	JAM NUT, 1/4-20, SS	1
20	C02282	HEX BOLT, 1/4-20 X 1 1/2"	4
21	C02294	SCREW, 1/4-20 X 1 1/4, SS	6
22	C11144	SCREW, 1/4-20 X 2" SS	2
23	C11167	1/4-20 X 3/4" SCREW, SS	2
24	C11244	WASHER, 9/16" ID X 1.5" OD	3
25	C11540	WASHER, 5/16"	2
26	C12021	WASHER, FLAT, 9/16 ID, SS	1
27	C12039	FENDER WASHER, 1/4" ID, 1" OD	4
28	C12110	HEX BOLT, 3/8-16 X 1 3/4	2
29	C13361	SCREW, 1/4-20 X 1 1/2, TRUSS, SS	2
30	C14017	SCREW, 10-32 X 1/2", TRUSS	8
31	C14067	HEX SCREW, 5/16-18 X 1 1/4", SS	1
32	D00373	FILTER, INLET	2
33	D010284	SWITCHPLATE	1
34	D03421	COVER, SWITCHPLATE, 2 SWITCH	1
35	D13683	CHEMICAL BOTTLE HOLDER	1
36	D13697-3	HOSE RACK	2
37	D13698-3	RACK, SOLUTION HOSE/POWER CORD	2
38	D13711	HEATER BRACKET, UPPER	1
39	D13714	HEATER BRACKET, LOWER	1
40	E010453	GASKET, SWITCH BRACKET	1
41	E03433	GASKET, SWITCH BRACKET	1
42	E11128	DRAIN VALVE GASKET	2
43	E11836	GASKET, RECOVERY TANK, LID	1
44	E14058	SHRINK TUBING, 2.5" ID X 2.0" L	1
45	F11785-1	RECOVERY LID, GRANITE GREY	1
46	F11786-1	HANDLE, GRANITE BLUE	1
47	F11787-1-RC	SOLUTION TANK, GRANITE GREY	1
48	F11788-1	RECOVERY TANK, GRANITE GREY	1
49	F11791-1	SOLUTION LID, GRANITE GREY	1



2700RC
UPPER
1/24/2018

ITEM NO.	PART NUMBER	DESCRIPTION	QTY.
50	J00650	SCREW CLAMP #24 1.25 INCH	1
51	K00665-1	1.5" HOSE ADAPTER	2
52	K00666	1-1/2" 90 DEGREE ELBOW	1
53	K00672	PVC PIPE, 1.5" SCH40, 1.3125'	1
54	K00672-1	PVC PIPE, 1 1/2" X 2.25", SCH40	1
55	K00741	ADAPTER, MALE, 1 1/2", SCH40	1
56	K11185	90 DEGREE ELBOW, SCH40, MPT, SF	1
57	K11965	RETURN BEND, 1 1/2"	1
58	K13724	DRAIN HOSE ASSEMBLY	1
59	S11179	NON-SKID TAPE	1
60	S13706-A	STRAP, WAND, VELCRO	1
61	14591	ACCESSORY BAG	1
62	D14577	ACCESSORY BAG RETAINER BRACKET	1

2700RC
BASE
1/24/2018





2700RC
BASE
1/24/2018

ITEM NO.	PART NUMBER	DESCRIPTION	QTY.
1	--	HOSE ASSEMBLY	2
	J00580	HIGH PRESSURE/TEMP HOSE .25" ID X 10" L	1
	J00660	SWAGE FITTING, .25" FP	2
2	--	HOSE ASSEMBLY, .25" MP X .25" FP, 10" L	1
	J00580	HIGH PRESSURE/TEMP HOSE .25" ID X 10" L	1
	J00659	SWAGE FITTING, .25" MP	1
	J00660	SWAGE FITTING, .25" FP	1
3	--	HOSE ASSEMBLY, .25" MP X .25" MP, 35" L	1
	J00580	HIGH PRESSURE/TEMP HOSE .25" X 35"	1
	J12932	CRIMP, .25" X .25" MPT, SWIVEL	2
4	A00052	90 DEGREE ELBOW, .25" MP X .25" FP	2
5	A00053	45 DEGREE ELBOW, .25" MP X .25" FP	1
6	A00055	NIPPLE, .125", CLOSE, BRASS	3
7	A00060	BARB, .375" X .25" MPT, BRASS	1
8	A00073	90 DEGREE ELBOW, BRASS	2
9	A00094C	BODY, CHECK VALVE, .25" M	1
10	A00094E	CHECK VALVE	1
11	A00097A	CAP, INLINE FILTER	1
12	A00104	QD, .25" M X .25" FP, BRASS	1
13	A00114B	HEX NIPPLE, .25" MP X .125" MP	4
14	A00134	90 DEGREE ELBOW, .25" BARB X .125" MPT	1
15	A00135	TEE, .125" FP X .125" FP X .125" MP	1
16	A00155	PLUG, MALE, .25"	1
17	A00161	TEE, .25" FP X .25" FP X .25" FP	1
18	A00168-18	BUSHING, .25" M X .125" F	1
19	A12917	ELBOW, .25" F X .375" M, NPT	2
20	A12960	NIPPLE, HEX, .25" X .25", BRASS	2
21	A12964	COUPLER, .25", BRASS	1
22	A13430	BARB, ELBOW, .375" MP X .5" BARB	1
23	A13688	BALL VALVE, 3-WAY, .125"	1
24	B00192	TIE HOLDER, W/ ADHESIVE	2
25	B02229	BRIDGE RECTIFIER, 25A	1
26	B11606	STRAIN RELIEF, PIGTAIL	1
27	B11821	STRAIN RELIEF	1
28	B11832	STRAIN RELIEF NUT	2
29	B13695	POWERCORD, 14GA, 50FT	1
30	C00233	FLAT WASHER, USS, SAE, .25" ID	18
31	C00261	HEX NUT, 1/4-20	3
32	C00273	1/4-20 NYLON-INSERT LOCKNUT	22
33	C00293	#8-32 X 0.5" PAN HEAD SCREW	2
34	C00313	1/4-20 X .75" HEX BOLT	3
35	C00314-1	HEX BOLT 1/4-20 X 1"	8
36	C02237	SCREW, #8 X .5" SMS, FH	2
37	C02242	SCREW, 1/4-20 X 1/2", TRUSS	2
38	C02305	CAP NUT, 1/2" PUSH-ON	2
39	C10737	#8-32 X .625" TRUSS HEAD SCREW, SS	6
40	C11165	SCREW, #8 X 1", PH, SMS	4
41	C11189	HEX BOLT, 1/4-20 X 4.5"	3
42	C11244	WASHER, 9/16" ID X 1.5" OD	2
43	C11955	WASHER, #10	1
44	C13026	SCREW, 10-32 X 1" HEX	1
45	C13120	#8-32 HEX NUT W/ LOCK WASHER	2
46	C14017	SCREW, 10-32 X 1/2", TRUSS	2
47	D11134-1	PLATE, VACUUM BASE	1
48	D11835	PLATE, PUMP	1
49	D13188	SHAFT, WHEEL, 18" X 0.625"	1
50	D13347	BRACKET	1
51	D13620	PLATE, REGULATOR	1
52	D13684	BRACKET, WAND	1



2700RC
BASE
1/24/2018

ITEM NO.	PART NUMBER	DESCRIPTION	QTY.
53	D13698-3	RACK, SOLUTION HOSE/POWER CORD	1
54	E00449	GROMMET	3
55	E11128	DRAIN VALVE GASKET	1
56	E11169	GASKET, VACUUM MOTOR	1
57	E13867	SANDWICH MOUNT, NEOPRENE	4
58	F11178-1	INTERCOOLER, SINGLE PORT	1
59	F11789-1-RC	CR2 BASE, GRANITE BLUE	1
60	F11790-1	HEATER PORT, COVER PLATE	1
61	F13820	LOUVER, 3", BLACK	1
62	G02517-1	MOTOR, VACUUM	1
63	G03518-L	CASTER, LOCKING, 4"	2
64	G11767	WHEEL, 10" X 1.75"	2
65	G13380	VALVE, PRESSURE RELIEF	1
66	G13634	REGULATOR, 300-500PSI	1
67	G13715	GFCI	1
68	G13869	PUMP	1
69	G14021	CHEMICAL INJECTOR	1
70	J00618	2" ID HOSE	2
71	J00632-1	PULSE HOSE, 32"	1
72	J00635	CLAMP, TUBE, .5" ID	1
73	J00639	2" ID HOSE CLAMP	4
74	J00651	HOSE CLAMP, .25" TO .625"	2
75	J11154	SOLUTION HOSE, 100PSI, WIRE, .375" ID X 5' L	1
76	J11154-1	SOL. HOSE .25" ID X 4.9'	1
77	J11508	SCREW CLAMP, #6	4
78	J11863	HOSE, INTERCOOLER	1
79	J11933	HOSE, POLYWIRE, PVC, .5" ID	1
80	J13152	CLAMP, HOSE, DOUBLE GRIP	1
81	J14016	TUBING, CLEAR, .25" ID, .5" OD, 5FT	1
82	K00662-50	SPACER, .5" X .5"	2
83	K00665-1	1.5" HOSE ADAPTER	1
84	K13843	ADAPTER, 1.5" PVC, SCH40	1

NOTES



LIMITED WARRANTY POLICY

To register your product warranty, visit our website at: www.edic-usa.com/warranty-registration/

LIFETIME on rotationally molded polyethylene tanks

2 YEARS on pump and vacuum motor and service labor involved

5 YEARS on service labor, and all other parts not covered by the Lifetime terms

EDIC REPLACEMENT PARTS LIMITED WARRANTY PLAN All parts sold as replacement parts for out-of-warranty EDIC products have the following Limited Warranty, with no warranty on labor: 30 DAYS

Your product is warranted to be free of defects in material and workmanship for the period set forth above, after the date of delivery to the retail purchaser, when operated in normal service and used in accordance with the operating and maintenance instructions in the Owner's Manual. This warranty is limited to and provides at no cost to the retail purchaser repair or replacement of parts determined to be defective, at EDIC's option, and labor, if provided for above, to replace or repair the parts ("service labor") according to EDIC's Standard Rates, during the warranty period set forth above. This warranty excludes transportation charges unless authorized in writing by EDIC. No warranty returns for refund or credit will be permitted. In the event of a defect, these are your exclusive remedies. Warranty claims must be made in writing to EDIC prior to returning the product and no products will be accepted for repair or replacement without prior authorization by EDIC. Use of parts not approved by EDIC in EDIC products will void this warranty. Warranty repair or replacement shall not extend the original warranty period of the product, and replacement parts used for in-warranty repairs will only be warranted for the remainder of the original warranty and not from their installation date. Any parts or product replaced under this Limited Warranty will become the property of EDIC.

EXCEPTIONS AND EXCLUSIONS FROM THE WARRANTY. This Limited Warranty only covers product issues caused by defects in material or workmanship during normal service. It does not cover product issues from any other cause, including but not limited to (a) transportation damages; (b) alteration by unauthorized persons; (c) unauthorized use, unreasonable use, misuse, or abuse (including the use of incompatible or corrosive chemicals or overloading of capacity); (d) failure caused by lack of proper maintenance and cleaning; (e) normal wear on items such as cords, belts, hoses, switches, bumpers, gaskets, seals, carbon brushes, squeegees, harnesses, valves, cams, extraction brushes, bearings, handle grips, filters and finishes; (f) acts of God; or (g) modification of or any part of the product. This Limited Warranty does not cover EDIC products sold AS IS and WITH ALL FAULTS. This Limited Warranty is valid only in the United States and Canada.

We suggest that you complete and return the enclosed product registration card promptly to facilitate verification of the date of the original purchase. However, return of the product registration card does not eliminate the need for the retail purchaser to maintain the original proof of the purchase in order to obtain the warranty benefits. In the event that you do not have proof of purchase date, the purchase date for purposes of this warranty will be the date of manufacture.

For specific information on how to obtain warranty services for your product, please write to: EDIC/Warranty Department 1753 Blake Ave. Los Angeles, CA 90031

THERE ARE NO WARRANTIES WHICH EXTEND BEYOND THE DESCRIPTION ON THE FACE OF THIS STATEMENT. THERE IS NO IMPLIED WARRANTY OF MERCHANTABILITY OR FITNESS FOR ANY USE ON THESE GOODS.

NO IMPLIED WARRANTY, INCLUDING ANY IMPLIED WARRANTY OF MERCHANTABILITY OR FITNESS FOR A PARTICULAR PURPOSE, APPLIES TO THE PRODUCT AFTER THE APPLICABLE PERIOD OF THE EXPRESS LIMITED WARRANTY STATED ABOVE, AND NO OTHER EXPRESS WARRANTY, EXCEPT AS MENTIONED ABOVE, GIVEN BY ANY PERSON OR ENTITY WITH RESPECT TO THE PRODUCT SHALL BIND EDIC. EDIC SHALL NOT BE LIABLE FOR ANY FORM OF ACTION FOR ANY DAMAGES, WHETHER DIRECT, SPECIAL, INCIDENTAL, CONSEQUENTIAL, OR INDIRECT, TO PROPERTY OR PERSON, INCLUDING BUT NOT LIMITED TO, DAMAGE OR LOSS OF INCOME, LOSS OF PRODUCTION, OR LOSS OF PROFITS DUE TO MALFUNCTIONING OF ANY PRODUCT, REGARDLESS OF THE LEGAL THEORY ON WHICH THE CLAIM IS BASED. IN NO EVENT SHALL RECOVERY OF ANY KIND AGAINST EDIC BE GREATER IN AMOUNT THAN THE PURCHASE PRICE OF THE PRODUCT SOLD BY EDIC, AND CAUSING

THE ALLEGED DAMAGE. WITHOUT LIMITING THE FOREGOING, YOU ASSUME ALL THE RISK AND LIABILITY FOR LOSS, DAMAGE OR INJURY TO YOU AND YOUR PROPERTY AND TO OTHERS AND THEIR PROPERTY ARISING OUT OF USE OR MISUSE OF, OR INABILITY TO USE, THE PRODUCT NOT CAUSED DIRECTLY BY NEGLIGENCE OF EDIC. THIS LIMITED WARRANTY STATES YOUR EXCLUSIVE REMEDY.

Some states do not allow the exclusion or limitation of incidental or consequential damages, or allow limitations on how long an implied warranty lasts, so the above limitations or exclusions may not apply to you. This Limited Warranty gives you specific legal rights and you may have other rights which vary from state to state (or province).