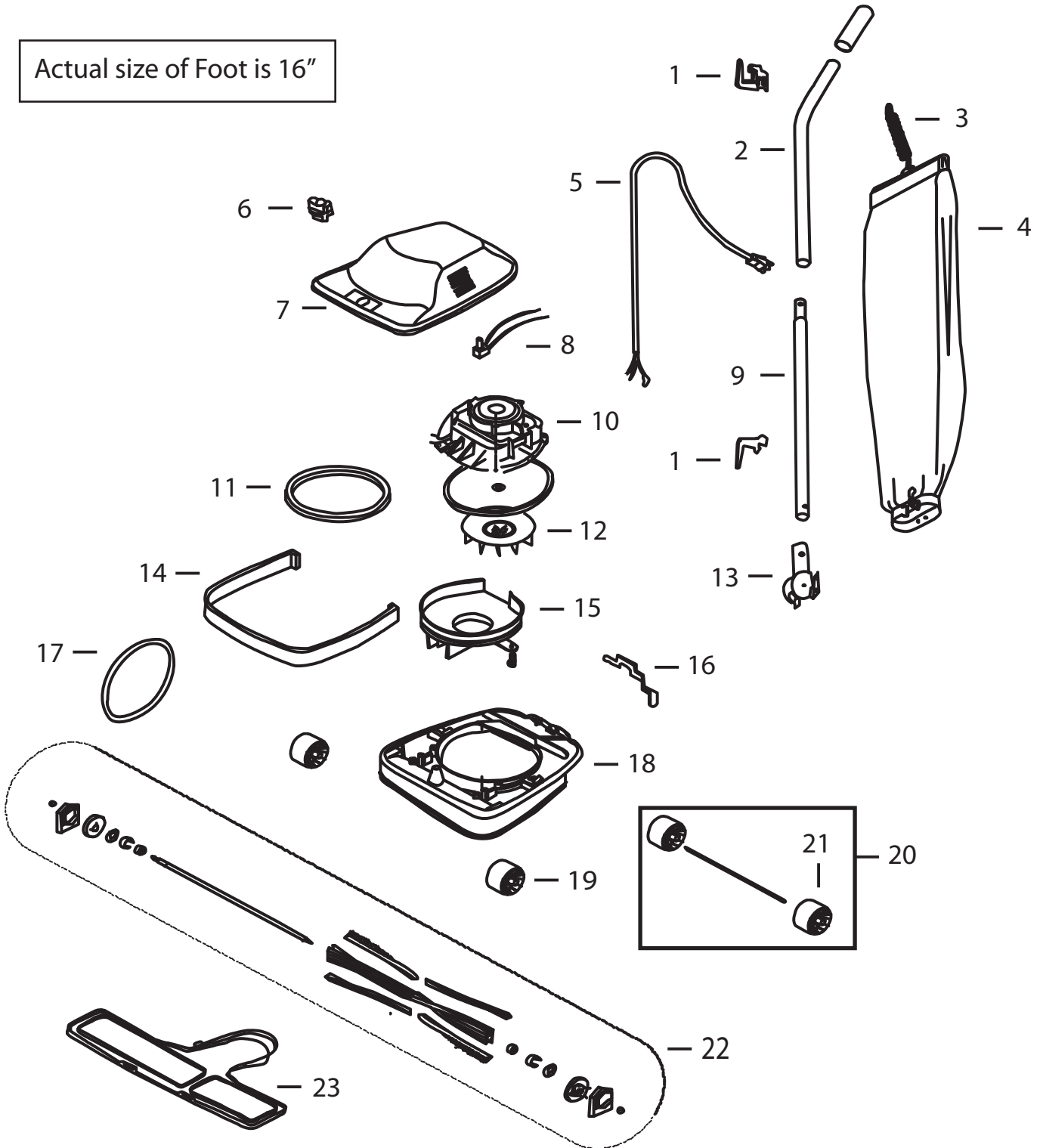




Bissell BigGreen Commercial

DayClean 16 # BG107-16HQS

Actual size of Foot is 16"



Bissell BigGreen Commercial

DayClean 16 Model BG107-16HQS



KEY	PART NO	DESCRIPTION	
1	2037848	Cord Retainer Set	
2	2038328	Handle Tube Assy Upper w/Handle Grip (does not come with nut & bolt)	
3	2038330	Spring	
4	2038342	Cloth Bag Assy w/Plastic	
5	2037853	Cord Yellow - 50ft	
6	2038304	Height Adjustment Knob	
7	2038301	Hood, Chrome w/Name Plate	
8	2038312	Switch, Push	
9	2038329	Handle Tube, Lower	
10	2038306	Motor Assembly (Quiet)	
11	2038313	Gasket, Motor	
12	2038325	Fan (Quiet)	
13	2038331	Handle Socket Assy w/Spring	
14	2038319	Bumper 16"	
15	2038316	Cover, Fan Chamber	
16	2038308	Foot Pedal	
17	2037843	Belt	
18	2038311	Base Assy 16" w/Magnet	
19	2038321	Front Wheel (qty 1)	
20	2037842	Rear Wheel & Axle Assembly	
21	2038320	Rear Wheel (qty 1)	
22	2038334	Brush Assembly AL - 16"	
23	2038337	Plate Assy, Bottom 16"	
xx	9469	Paper Bag 4pk	
xx	2038302	Bushing, Strain Relief	
xx	2038303	Screw, Shoulder	
xx	2038305	Air Inlet Duct (RH)	
xx	2038307	Spring, Foot Pedal	
xx	2038309	Spring, Hood	
xx	2038314	Air Inlet Duct (LH)	
xx	2038315	Spring, Adapter Retainer	
xx	2038322	Carbon Motor Brush	
xx	2038324	Base Assy, Motor	
xx	2038335	Bristle Strip 16"	
xx	2038326	Rubber Cap Ends for all Rollers	
xx	2038327	Fan Washer	
xx	1600498	Nut & Bolt Set	
xx	2038317	Magnet (qty 1)	
BISSELL Business Ventures, Inc.		JanitorialEquipmentSupply.com IF YOU NEED A PART CALL 1-877-977-3339	Issued: February 2013 Revised: © 2013 BISSELL Homecare Inc.