



# FORCE USER MANUAL



## Introduction manual

Please read the instruction manual thoroughly before using the product.  
Some features may be changed without prior notice to improve the performance of the product.

## Important Checklist

- ▶ Checklist by components ..... P. 03

## Manual reading guide

- ▶ General safety precautions ..... P. 04

## Prerequisite checks before driving

- ▶ Safety accident prevention ..... P. 05

## Components and name

- ▶ Components guidance ..... P. 06
- ▶ Name of external components ..... P. 07

## Dashboard

..... P. 08

## Driving

..... P. 09

## Folding

..... P. 10

## Charger

..... P. 11

## Battery

- ▶ General safety code for lithium ion batteries ..... P. 12
- ▶ Safety rules for the use of lithium ion batteries
- ▶ Safety rules for lithium ion battery charging ..... P. 13

## Specification

..... P. 14

# Important Checklist

CAUTION

To prevent safety accidents, check the product before and during use. If abnormal symptoms are found, stop using the product immediately, contact self-examination center or a customer service center and use the product safely.

## ● Accelerated lever (throttle)

- ▶ Check the accelerator lever for normal operation before driving.
- ▶ Before driving, check if the lever is returned to its original position.
- ▶ Maintaining smooth operation when driving.
- ▶ Check or replace if there is a large gap or impact of the acceleration lever.
- ▶ Requires regular inspection of the bolts that secure the accelerator lever.

## ● Brake

- ▶ Replace cables if they are not operating smoothly.
- ▶ When operating the brake lever, after a major impact, such as a fall, the brake lever must be inspected or replaced.
- ▶ Prior to driving, the braking force must be checked at all times.
- ▶ Check brake function and brake pad consumption.

## ● Folding part, fork, and neck part.

- ▶ Extreme and stunt driving is strictly prohibited.
- ▶ In the event of heavy operation of equipment carrying the weight of the handle and the fixed bolts on the showed part, neck, and fork parts, the associated parts may become stressed, and may become less binding and loose due to fatigue damage or deformation, and parts need to be replaced after a certain period of use.

- ▶ Confirm the working status of the brake.

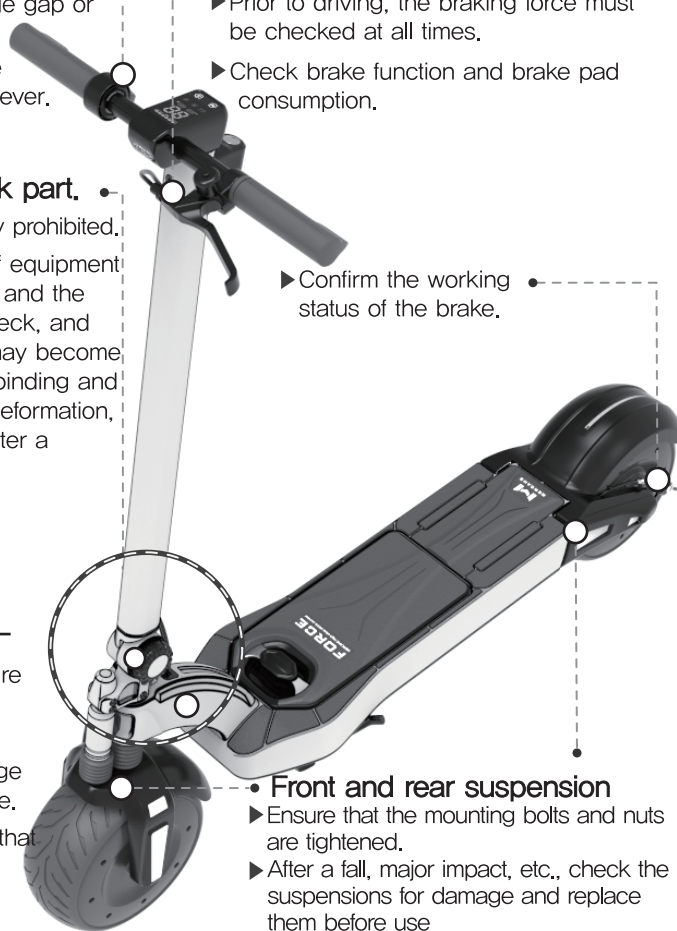


## WARNING

- ※ Ensure that bolts, nuts are secure and free from loss wherever the product is constructed.
- ※ Signs of crack and other damage must be verified always before use.
- ※ Lock the folding lever firmly so that the folding does not loosen while driving.

## ● Front and rear suspension

- ▶ Ensure that the mounting bolts and nuts are tightened.
- ▶ After a fall, major impact, etc., check the suspensions for damage and replace them before use
- ▶ If a certain amount of time is spent and there is a decrease in resiliency and other functions, please replace before using



Please familiarize yourself with the manual before using the product. Some features can be changed without prior notice to improve the performance of the product.

## – Please read the following notes before using the products

- ① Please read this manual before using the product.
- ② After you read it, please keep it where easy to find.
- ③ In this User's manual, some device—based features and items may not be available or may be optional.
- ④ The images used on user manual may differ from the actual product as images intended to help your understand.
- ⑤ This product and its documentation subject might be changed without notice.



## WARNING

### ◆ General safety precautions

- ▶ This product is made for single use. Do not burn your passenger.
- ▶ Do not drive in environment with a risk of accident.
- ▶ Before use, check the tread plate tightening bolts, tire conditions, other equipment conditions, and safety conditions.
- ▶ Do not allow moisture to enter the product's components. Connecting the charger while water is flowing in can cause fire or electric shock. If moisture enters the product, please stop using it immediately and contact the customer center for inspection.
- ▶ All wet conditions such as rain, snow, hail, etc. are prohibited. Clean with water is a source of trouble and subject to fire.
- ▶ Any disassembly, modification or modification of products and components is not warranted and the manufacturer and dealer is not responsible for any problems caused by them.
- ▶ The electronic control system of this product has been developed with safety first, so please do not change the electric circuit or install other electric devices.
- ▶ Never modify the electrical circuit. Any manipulation of the electric circuit may cause shock, fire, explosion and damage to the product.
- ▶ Please be careful not to injure yourself when folding and moving the product after folding.
- ▶ If the battery gauge has only one space remaining, stop operation and charge it.
- ▶ Regularly check the connection status between the wires and the connector.
- ▶ Avoid driving in places where people are crowded or where pedestrian safety is a concern
- ▶ Do not use it on slippery places or ice roads, rainy and snowy days due to water.
- ▶ Do not use it on steep grades over 15 degree.
- ▶ Be safe at low speeds on ramps.
- ▶ For safety during operation, please operate safely within 20km/h.

## ◆ Prerequisite checks before driving

- ▶ Check the acceleration lever (throttle) for normal operation before driving and refrain from the sudden operation.
- ▶ If the braking force is insufficient, change the pads, adjust the gap, and adjust the brake after checking the brake magnetic field.
- ▶ Turn on the power to check the remaining battery capacity before driving.
- ▶ Avoid driving at night for safety reasons, and in case of unavoidable night driving, Please make sure to drive with the driving mode that suits you.
- ▶ Practice slowing down and stopping slowly to cope with possibly unexpected situations when driving.

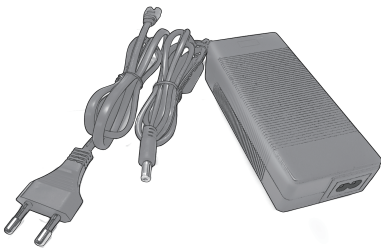
## ◆ Prevention of safety accidents while driving

- ▶ Protective equipment (heels, gloves, upper body protection, knee, elbow protection, joint protection, etc.) must be worn before use.
- ▶ Do not carry out any dangerous movements, and always put both hands on the handlebars to ensure that the brakes are immediately held in case of unforeseen circumstances.
- ▶ Do not drive on angled jaws(hills) or stairs.
- ▶ Do not carry heavy objects on the handle bar.
- ▶ Unlicensed, drunk driving and cargo-loaded driving are prohibited, Observe the Road Traffic Act and related statutes according to the location of use.
- ▶ Extreme driving and dexterity driving are prohibited because the product is severely impacted, causing failure and accident. Manufacturing and retailers will not be responsible for any problems caused by this.
- ▶ Acceleration on the downhill is very dangerous because braking distances are longer and visibility is difficult, so do not accelerate at all and the brakes should be used properly to slow down. Stop driving and lower the heat of the brake drum as the brakes may overheat on very long downhill roads.
- ▶ When turning left and right, slow down sufficiently to avoid the risk of rollover, check if there are any obstructions, and then keep the wide radius and turn slowly.
- ▶ Please pay attention to terrain and ground. If you are driving on unpaved roads, please drive slowly.
- ▶ Please refrain from driving on roads where there are many cars.
- ▶ For safety during operation, please operate safely within 20km/h.

## – Components guidance

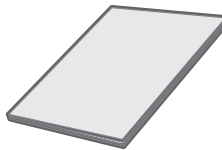


FORCE BODY



Battery Charger

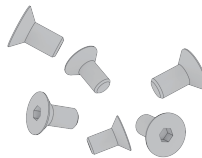
※ Please note that the charging terminal will be damaged if the charging connection is impacted while the charger is connected. The lithium ion battery must be charged only with the charger included with the product. If you charge the battery with a non-standard or non-certified charger, it may cause product failure or fire.



User Manual



Key



Bolt  
(M6 5X10) 6PCS



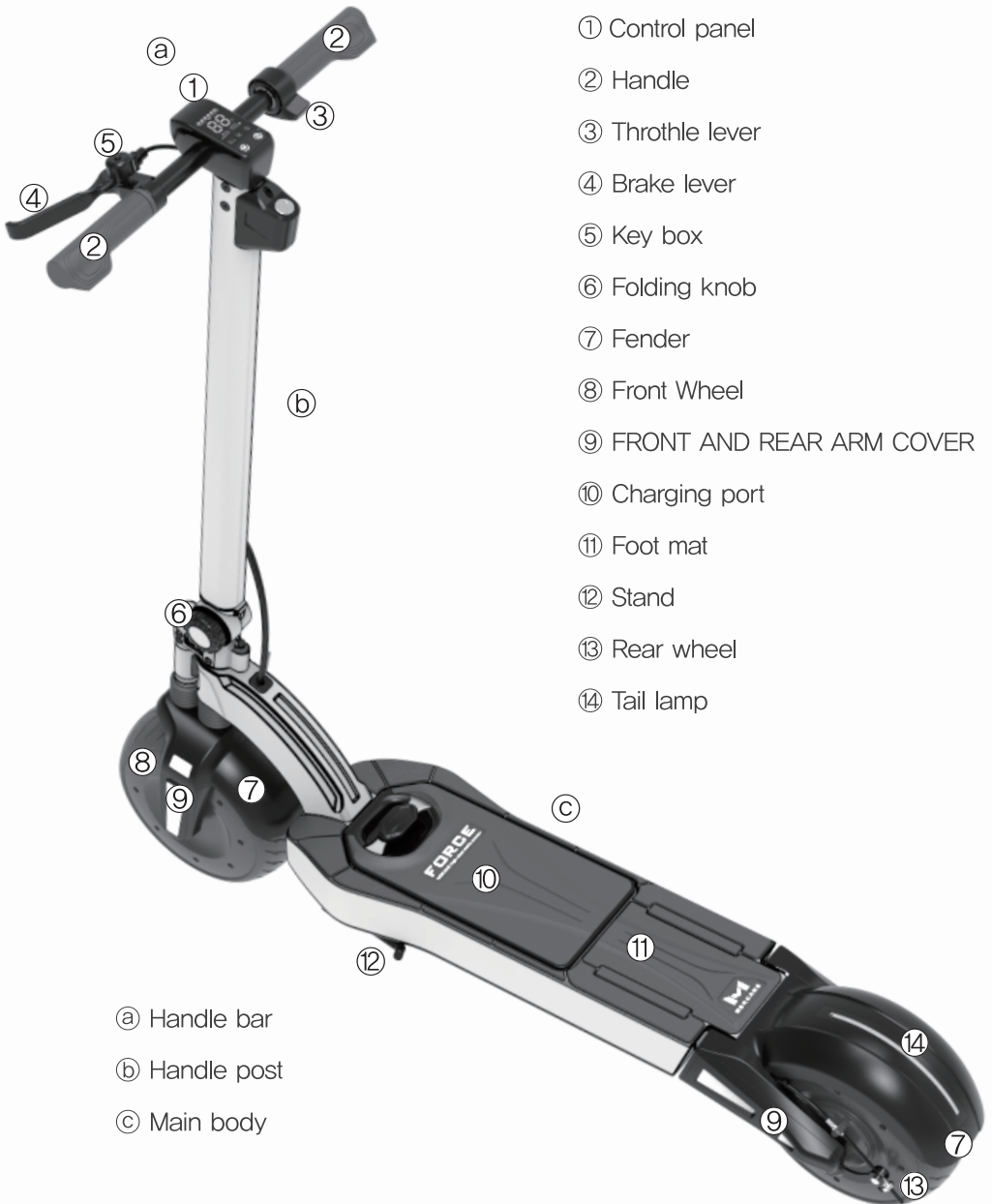
Hex Wrench  
(2.5、3、4、5、6mm)



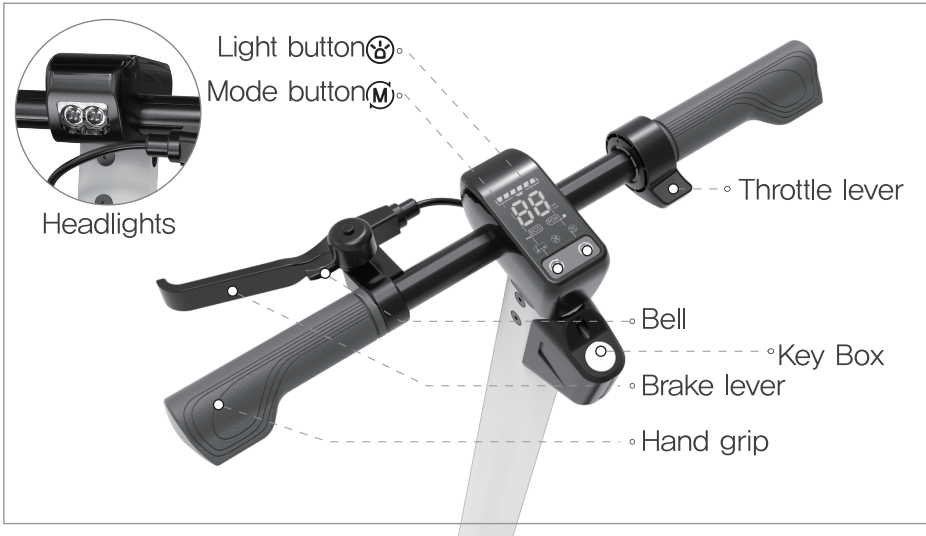
※ Charger connection sequence ※

① Product charger connection > ② Connect the charger plug to the socket

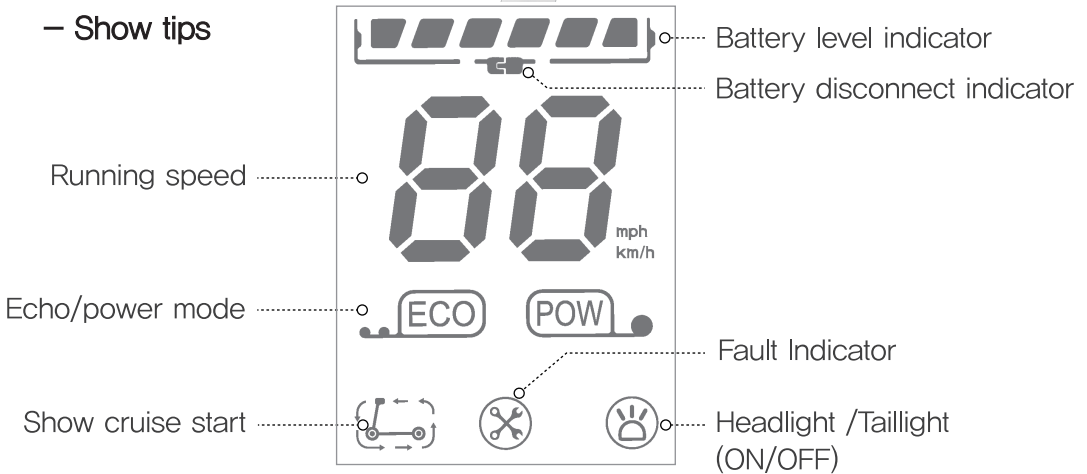
## – Names of external components



### – Name and setup of the instrument panel



### – Show tips



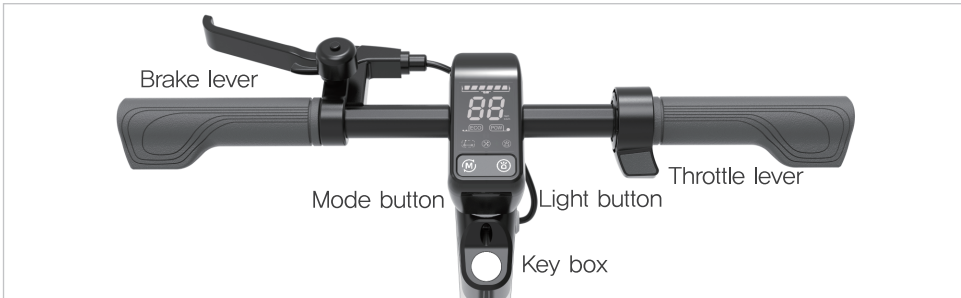
### – User driving settings:

Insert the key into the keybox and turn in to the right to supply power. Turning the key to the left will turn off the power.

1. Press (M) button once with power on to convert ECO/POWER mode.
3. Press (Light) button with power on to turn on the light and press again to turn off light.
4. Press (Cruise) button for about 2 seconds with power on to run cruise function. Press it again for about 2 seconds to cancel the cruise.



## – Driving method



1. Insert the key into the keybox and turn in to the right to supply power.
2. Set the desired driving mode (check the "dashboard setting")
3. When Power is ON, push the scooter and gently press the accelerator to operate.
4. Use the brake lever to slow down and stop.
- 5 Turning the key to the left will turn off the power.

► Please note, there is a built-in kick & go function, so when driving for the first time, push the product with one foot so the kickboard can move forward. After doing som you must use the accelerator to drive.



◆ FORCE Driving mode can be selected manually according to the user's desire.

Eco mode :

This mode allows smooth and efficient driving by adjusting the output and acceleration

Power mode :

Users can use maximum output and torque of the product.

This mode allows active driving with fast response speed. However, in Power made, the speed is automatically limited when the speed exceeds 25 km/h according to law



If you brake continuously on the downhill, you must be cautious of the use as it may cause the brake function deterioration and accidents. Also, be sure to drive safely at low speed as it may cause damage to the motor and controller during excessive driving.

## – Handlepost folding method



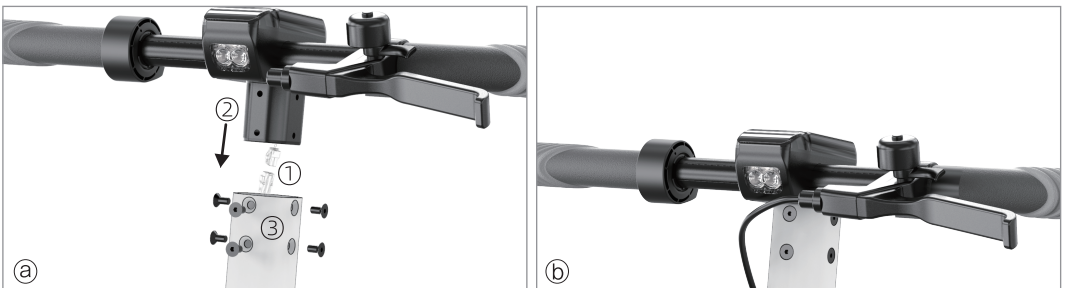
Ⓐ Loosen the folding knob 7–10 turns in the direction of the arrow (counterclockwise).

Ⓑ Push the folding knob in the ② direction and push the handle post in the ③ direction when the handle post is pushed to the right – the lock is released.

Ⓒ Lower the folding knob until the handle post 'clicks' and then turn the folding dial in the opposite direction to tighten it.

Ⓓ Unfold the product in the reverse order of folding, then tighten the folding dial to secure the handle post.

## – Handlebar install method

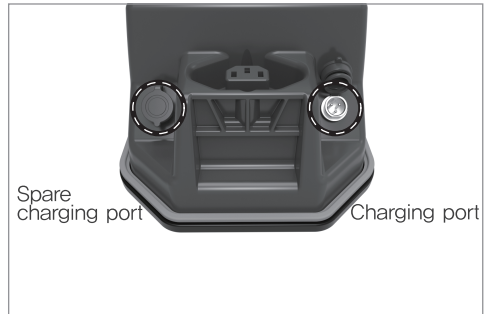
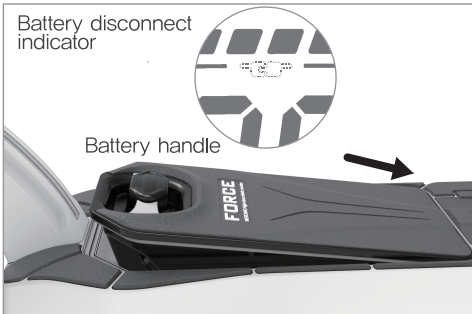


Ⓐ Connect the signal cable connector of the handlepost and the handlebar as shown in Figure ①, and insert the handlebar into the handlepost as shown in Figure ②.

Ⓑ Secure the handlebar to the handlepost using the enclosed M65x10 bolt and hex wrench.

※ Lock the folding lever firmly so that the folding does not loosen while driving.

## – Charging the battery



### ◆ Disconnection of the battery

- ▶ Pressing the (M) for 2 seconds, will the battery to be unlocked from the scooter with a "CLICK" sound from the battery lock.
- ▶ At the same time, the battery disconnect indicator is extinguished on the display.
- ▶ Lift the battery handle to disconnect the battery from scooter.
- ▶ If you want to charge fast, purchase additional charger and connect the two chargers at the same time, which will cut the charging time by half.

### ◆ Connection of battery

Insert the back part first as shown, then place the front part naturally and press down the battery.

### ※ ※ NOTICE ※ ※

The scooter does not have a charging port, the battery must be disconnected and charged. In addition, when power is completely depleted, the locking device is not energized and the battery is not disconnected. Therefore, make sure to charge it before it is fully discharged and keep the battery separately from the body when it is not used for a long time.

### ◆ Charger connection guide

- ▶ If you connect the charger to the product and then plug the outlet, it may cause a spark, Please make sure to charge in the same way as the connection procedure below.



※ Charger connection sequence ※

- ① Connect the charger (product)
- ② connect the charger plug to the socket

### ◆ Charging Instruction

- ▶ Charging port is located on the right side of the neck.
- ▶ Charging takes 6~7 hours.
- ▶ If the driving speed drops while using the product, please charge it immediately.
- ▶ Charger indicator lamp color is red during charging. The indicator turns green when charging is complete. Two hours after the product is fully charged, the power is automatically cut off and the indicator light on the charger is turned off.
- ▶ Be sure to charge it outdoors with good ventilation and in an environment without flammable substances.

## – Using and managing Litium ion batteries

### **Warning**

- ▶Energy density of battery is very high. So, there is a possibility that if the battery pack is charged for a long time under short-circuit, short-circuit, leakage, or battery failure, it may be ignited. Therefore, it should be avoided to charge the room indoors for a long time in the absence of a person, or to charge for a long time while sleeping at night.
- ▶If the protection circuit is damaged If there is any leakage or smell from the battery, stop using it immediately and contact the place of purchase for technical support and service.
- ▶ If overheating, smoke, ignition, etc. is detected in products equipped with lithium-ion batteries, charging and use should be stopped immediately. In the event of a fire, make sure to use a fire extinguisher.
- ▶Only genuine batteries and chargers supplied through the manufacturer must be used. Manufacturers and salespeople are not responsible for any problems caused by the use of third-party batteries and chargers (faults and causes of fire).
- ▶It should be charged from 0 to 40 degrees Celsius, and should be stored at temperatures between –20 and 60 degrees Celsius. Charging or discharging at temperatures over this range may damage the battery.
- ▶Lithium-ion batteries should be stored away from direct sunlight or high temperatures.
- ▶If you enter a warm room from outside cold, such as in winter, condensation may occur inside due to temperature differences. Don't charge it right away, but after a certain period of time, you have to charge it after the temperature difference decreases.
- ▶Care should be taken to avoid exposure to children or pets.
- ▶Be careful not to short-circuit the charging terminal or change the polarity, and be careful that the battery may be damaged or explode in case of external shock or short circuit.
- ▶When the battery is installed in the product, you must not run for a long time in uneven road surface, do not carry jumps or drops, and check the battery if a strong shock from the accident is applied to the battery.
- ▶In the event of flooding, stop using it immediately and contact your dealer for assistance. Never connect a charger when the battery is flooded, as there is a risk of electric shock and fire.
- ▶Do not disassemble it. It is prohibited to incinerate when disposing. It should be classified as industrial waste and care should be taken to avoid shorts at the terminals.
- ▶Do not disassemble it. It is prohibited to incinerate when disposing. It should be classified as industrial waste and care should be taken to avoid shorts at the terminals.

## – Precaution for handling lithium-ion batteries

### Warning

- ① If you are not going to use it for a long time, please separate the battery and connection cable.
- ② You must recharge and maintain it least once a month to use the battery longer.
- ③ Since the battery is a consumable item, it is not a free A / S item. Please use it after repurchasing in case of complete discharge.
- ④ Operating in sub-zero weather conditions can significantly reduce battery life. So please do not use below minus 5 degrees.
- ⑤ Be sure to familiarize yourself with the characteristics of charging and discharging.
- ⑥ Disassembling or tuning the product without going through the designated service center may cause the product to malfunction.
- ⑦ Do not drop the battery. It may permanently damage the battery and cause serious injury.
- ⑧ Before charging the battery, check the battery, charger, and connectors damage. If the battery, charger and related parts are damaged, stop charging.
- ⑨ Do not completely discharge the battery. After using the battery, please be sure to charge the battery. If not used, charge it regularly at least once a month.

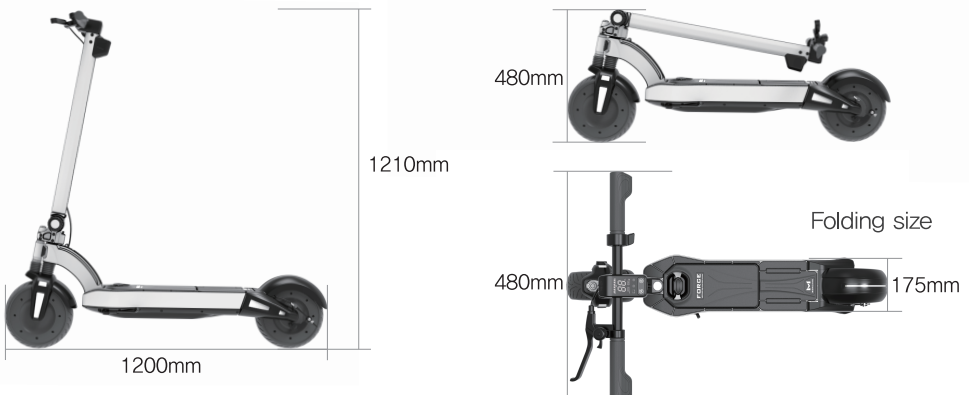
## – Precaution of charging

- ▶ Must be using the standard charger supplied with the product. Using non-standard charger may cause product malfunction and fire.
- ▶ Charge your batteries for 6–7 hours and do not charge your batteries for more than 10 hours to prevent the batteries from overheating.
- ▶ It is prohibited to charge outdoors and use it in places such as places with flammable substances or enclosed areas. Be sure to charge it only in a well ventilated place when the person is aware of it.
- ▶ The charger is not waterproof. Water inflow can cause breakdown and fire, so please take care of it thoroughly.
- ▶ Be sure to close the charging port protection cap when driving and storing.
- ▶ The product cannot be operated while the battery is charging.
- ▶ Do not use this product's battery and charger for other products.
- ▶ Disconnect the charger power plug when you go out or go to bed during charging.

## - FORCE SPECIFICATION(single/dual)

TYPE	SPECIFICATION
Motor	48V 500W(SINGLE)/800W(DUAL) BLDC Hub Motor
Battery	48V 9Ah / 13.5Ah (optional) Lithium Ion
Charging time	6–8 hours
Max Speed	25km/h (speed limit)
Driving Range	40~60 Km(depends on driving condition)
Max Climbing Ability	<15% – <25% (Different / depending on single or dual)
Weight limits	100kg
Braking method	Front electronic / Rear Drum
Headlamp / Taillight	LED Lamp
Tire	10Inch 100mm wide tire / aluminum wheel
Product weight	30kg~31kg
Overcurrent Protection Device	Software: Auto Power OFF when current exceeds 15 A
	Battery : Protection module (PCM) installed / Power is automatically turned of due to slow battery transferring
	Short circuit and Interruption protection: Battery protection with short circuit detection and circuit protection

### Product Dimensions



※ To improve quality and safety of the product,the specifications might be changed without prior notice.



The most comfortable and  
stylish E-Scooter “**FORCE**”



## **FORCE** Introduction manual

Jinzhou-raod 1-2, High-Tech Development District, Weihai-city  
Shandong, China  
[www.neozinev.com/](http://www.neozinev.com/)

20210708  
Rev.00