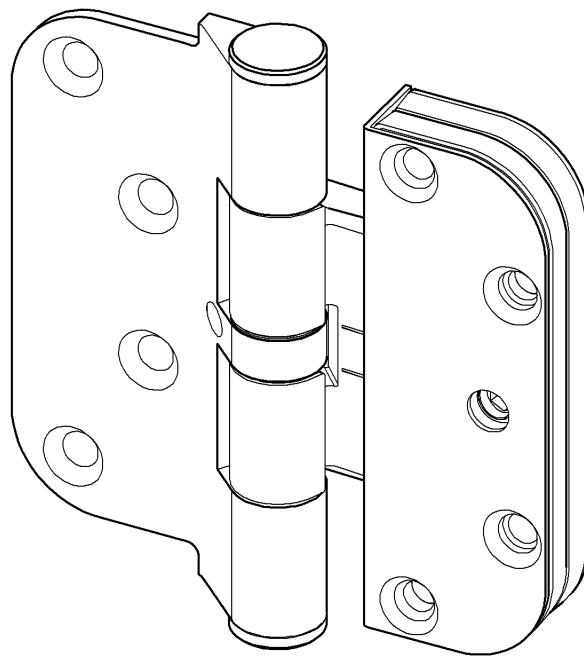


# HOPPE®

Handle of excellence.



Adjustable Hinge  
Edition 3

## Simply Adjustable

The scene is all too familiar. A phone call comes in and a service tech goes out, taking your money with him. But he's not robbing you – your hinges are. If you aren't using adjustable hinges on your doors, you are leaving yourself vulnerable to costly repairs and replacements, and that's a crime.

### Why Adjustable Hinges?

Simply because it's worth the investment to both contractor and homeowner. Every service call costs money, roughly \$350 per call, and 4 to 5 callbacks can be expected according to NAHB surveys. Whether it's a warranty claim or directly out of the homeowner's pocket, the cost of the door goes up while the contractor's reputation goes down. Spend a little more for an adjustable hinge and you will start seeing a return on your investment immediately.

### Benefits Begin at Installation

Two-way adjustable hinges are designed to allow for vertical and horizontal movement of the door panel, providing optimal alignment and a perfect swing. The movement is accomplished by simply turning adjustment screws on the hinge. What used to require shimming, shaving and expensive on-site carpentry, can now be accomplished with the simple turn of a screw.

### Rewards for a Lifetime

While improper installation is the cause of some of the most frustrating door failures, nothing transforms a quality product into a yard sale bargain faster than a lack of proper maintenance. Buildings will settle and shift, materials will expand and contract with the seasons, and time and use will take their toll on a door. Whether it is to cover the mistakes of a poor installation, or just to compensate for sagging that developed over time, every door needs maintenance eventually. Without adjustable hinges, that could mean anything from adding shims to extensive carpentry work or even total replacement of the door. Adjustable hinges allow the homeowner to fix issues like binding and sagging on their own, saving them money, and extending the life of the door.

### A Simple Answer

Now more than ever – when every penny counts – it doesn't pay to use just any hinge on your door. If ignored, the hidden costs of inferior products will continue to rob you of your profits and reputation. Adjustable hinges really are the simple solution to a costly problem. With such benefits as: easier installation, fewer callbacks, increased customer satisfaction, and overall enhancement of the door quality, performance and longevity, there should be no question that adjustable hinges are the answer.



Worth the investment to both contractor and homeowner.



**Brass Finishes:**

- F42-R Satin Nickel Resista®
- F41-R Brushed Chrome Resista®
- F49-R Polished Chrome Resista®
- F77-R Polished Brass Resista®
- F73 Antique Brass
- F79 Oil Rubbed Brass

**Aluminum Finishes:**

- F8709 Rustic Umber
- F9714 Matte Black
- F9010 Pure White
- F1713 Gold

**Designed for a Greater Advantage.**

- Adjusts both vertically (Set Hinge) and horizontally (Guide Hinge) by  $\pm 1/8"$  ( $\pm 3\text{mm}$ ) for a perfect swing without costly repairs or carpentry work.
- Large  $3/16"$  hex head screws make adjustments effortless, and prevent the stripping that can occur on comparable products with Phillips head or smaller hex head adjustment screws.
- Single pass routing for quick and easy installation.
- All Set Hinges are equipped with non-removable pins for security, making HOPPE hinges the ideal solution for both inswing and outswing doors.
- Especially well-suited for larger doors, with a panel weight capacity of up to 330 lbs. (150 kg).

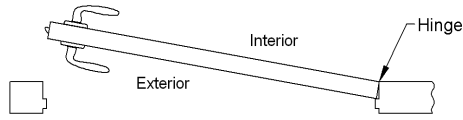
**Tested to a Higher Standard.**

- Brass based hinges are third party tested beyond an impressive 2.5 million cycles, in accordance with ANSI A156.1 Grade 1 – Commercial test procedures.
- Backed by HOPPE's Limited Lifetime Mechanical Warranty.

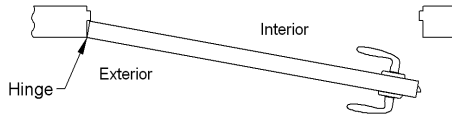
**Finished with Superior Quality.**

- Finished with the same proprietary methods as HOPPE Handles and Backplates, providing a coordinated look that is only available with HOPPE Hinges.
- Brass and aluminum base materials for outstanding corrosion resistance, compared to steel based hinges that can yield red rust and leave doors and frames with ugly stains.
- Resista® Limited Lifetime Finish Warranty on select premium finishes (-R).

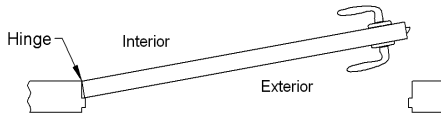
Right Hand Inswing (RHI)



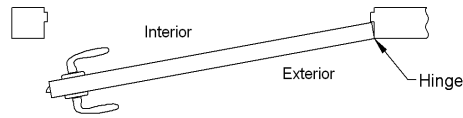
Left Hand Outswing (LHO)



Left Hand Inswing (LHI)



Right Hand Outswing (RHO)



**NOTE:**

The same Set Hinge is used for both Right Hand Inswing (RHI) doors and Left Hand Outswing (LHO) doors.

A different Set Hinge is used for both Left Hand Inswing (LHI) doors and Right Hand Outswing (RHO) doors.

**Brass Base Material**

Brushed Chrome Resista®	Satin Nickel Resista®	Polished Chrome Resista®	Brass Resista®	Antique Brass	Oil Rubbed Brass
F41-R	F42-R	F49-R	F77-R	F73	F79
2664581	2664572	2664556	2664601	2659562	2664599
2972364	2972410	2972372	3113431	2972399	2972401
2972655	2972743	2972680	3113529	2972701	2972719

**Aluminum Base Material**

Gold	Rustic Umber	Pure White	Matte Black
F1713	F8709	F9010	F9714
3033852	3052105	3033861	3033879
3033924	3052201	3033941	3033967
3033916	3052156	3033932	3033959

Guide Hinges

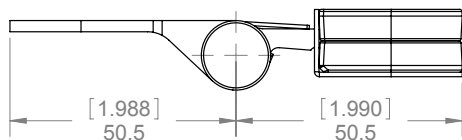
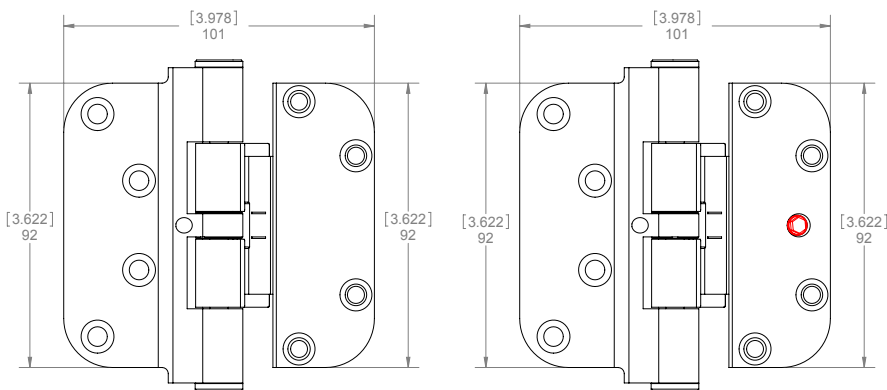
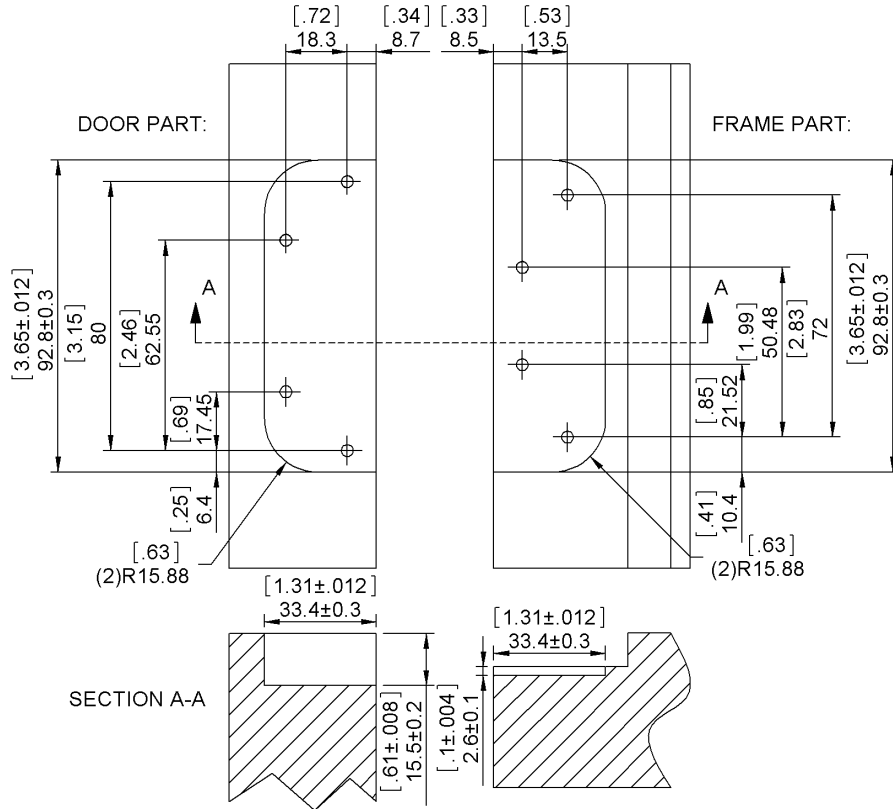
Set Hinges – LHO or RHI

Set Hinges – LHI or RHO

Guide Hinges

Set Hinges – LHO or RHI

Set Hinges – LHI or RHO



Units: mm [inches]

Drawing is not to scale.

Hole positions shown denote nominal locations for pilot holes.

Pilot hole diameter should be sized appropriately for the selected wood screw size.

Set Hinge

± 3mm [1/8"] Vertical Adjustment

Guide Hinge

(Adjustment Screw Location Shown)

± 3mm [1/8"] Horizontal Adjustment

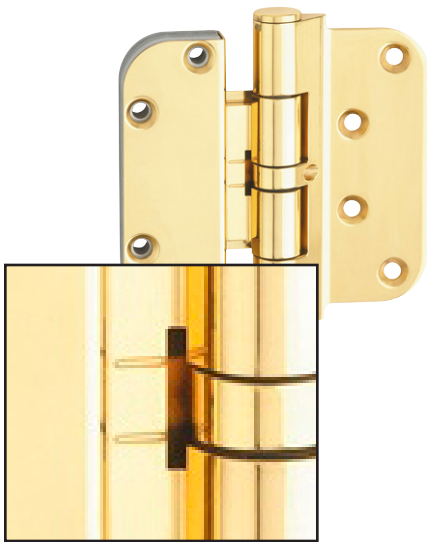
Brass base material hinges feature finial caps as shown.

Aluminum base material hinges feature flush caps.

Two types of HOPPE Adjustable Hinges will be installed on each door panel:

**Set Hinge**

The Set Hinge is pre-assembled at a centered position allowing for 1/8" adjustment upward or downward. A centered position is indicated by the alignment of two hash marks with the middle-most knuckle gaps when viewing the hinge in the open position.



Hash marks showing centered position.

**Guide Hinge**

The Guide Hinges provides 1/8" horizontal adjustment. Look for the visible adjusting screw on the face of the door sash leaf. This identifies the hinge as a Guide Hinge.

**Installation**

1. Determine hinge locations on the frame and door panel. Recommended hinge positions are given in the table. The top-most hinge on the door panel is given in the first row.

Number of Hinges	3	4	4	5
Panel Weight	Up to 165 lbs	Up to 165 lbs	165 to 330 lbs	165 to 330 lbs
Hinge Order from Top of Panel to Bottom	GUIDE	GUIDE	GUIDE	GUIDE
	SET	GUIDE	SET	GUIDE
	GUIDE	SET	SET	SET
		GUIDE	GUIDE	SET GUIDE

2. Prepare the door panel and frame.
3. Fasten hinges into the door panel. #10 ANSI wood screws with a minimum length of 1 1/4" are recommended. The Set Hinge must be installed according to the installation label. The label on the frame leaf will point down to the sill when properly installed.
4. On the frame, use #10 ANSI wood screws that are 5/8" to 3/4" long in three of the four screw locations. One screw on each hinge should be at least 1 1/2" long to reach the stud. This screw is typically left out and is installed after the door is positioned in the rough opening.



LHI / RHO Set Hinge Shown

5. Install the frame leaf of the Set Hinge into the routing on the frame and fasten securely. Do not allow the Set Hinge(s) to support the weight of the panel without installing the Guide Hinges.
6. Install the frame leaf of the Guide Hinges into the routings on the frame and fasten securely. Leaves on the Guide Hinges will slide freely up and down for alignment with the rout.
7. Do not adjust hinges prior to the final installation into the rough opening. This will affect the ability of the door installer and end user to utilize the full adjustment range of the HOPPE Adjustable Hinge.

**Disassembly**

1. Do not attempt to remove the hinge pin, as this may cause damage.
2. To disassemble the door panel from the frame, support the weight of the panel to relieve the weight from the hinges.
3. Carefully remove either the frame leaf screws or door leaf screws to displace the panel.

### Introduction

There are two types of HOPPE Adjustable Hinges on each door panel:

1. Set Hinge: One or two per panel. The Set Hinge provides  $\pm 1/8$ " vertical adjustment.
2. Guide Hinge: Two or three per panel. The Guide Hinges provide  $\pm 1/8$ " horizontal adjustment. Look for the visible adjusting screw on the door sash leaf. This identifies the hinge as a Guide Hinge.
3. Hinge designs may vary, but adjustment remains the same.

### Required Tools

1. A 3/16" hex wrench is required.
2. A small flat head screwdriver is required.
3. A plastic putty knife is recommended.

### Vertical Adjustment for Doors with One Set Hinge

With the door closed or open:

1. Remove the press-fit Finial Cap from the bottom of the Set Hinge to expose the adjustment screw. Use the small screwdriver for Set Hinges featuring a plastic Finial Cap. A plastic putty knife is recommended for Set Hinges featuring a brass Finial Cap.
2. Insert the hex wrench into the bottom of the Set Hinge. Tighten the screw to raise the panel and loosen to lower the panel.
3. Reinstall the Finial Cap removed in Step 1.

### Vertical Adjustment for Doors with Two Set Hinges

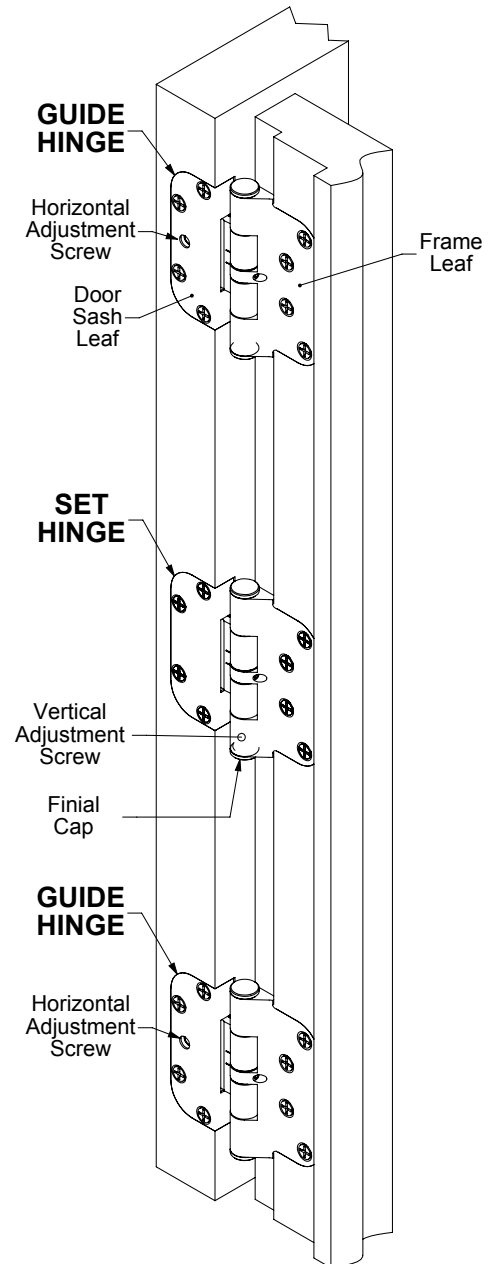
With the door closed or open:

1. Remove the press-fit Finial Cap from the bottom of the Set Hinge to expose the adjustment screw. Use the small screwdriver for Set Hinges featuring a plastic Finial Cap. A plastic putty knife is recommended for Set Hinges featuring a brass Finial Cap.
2. To raise the panel, insert the hex wrench into the top-most Set Hinge and tighten the adjustment screw to achieve the desired adjustment. Insert the hex wrench into the other Set Hinge and tighten the adjustment screw 1/8 turn past the onset of resistance to distribute the panel weight evenly between both Set Hinges.
3. To lower the panel, insert the hex wrench into the top-most Set Hinge and loosen the adjustment screw as far as possible without removing. Insert the hex wrench into the other Set Hinge and loosen the adjustment screw to achieve the desired adjustment. Retighten the adjustment screw on the top-most 1/8 turn past the onset of resistance to distribute the panel weight evenly between both Set Hinges.
4. Reinstall the Finial Caps removed in Step 1.

### Horizontal Adjustment

With the door open:

1. Insert a 3/16" hex wrench into the horizontal adjustment screw.
2. Turn clockwise to decrease the margin and counterclockwise to increase the margin on the hinge side.



HOPPE North America, Inc.  
205 E. Blackhawk Drive  
Fort Atkinson, WI 53538-1268  
920-563-2626  
920-563-4408

1-888-485-4885  
[info@us.hoppe.com](mailto:info@us.hoppe.com)