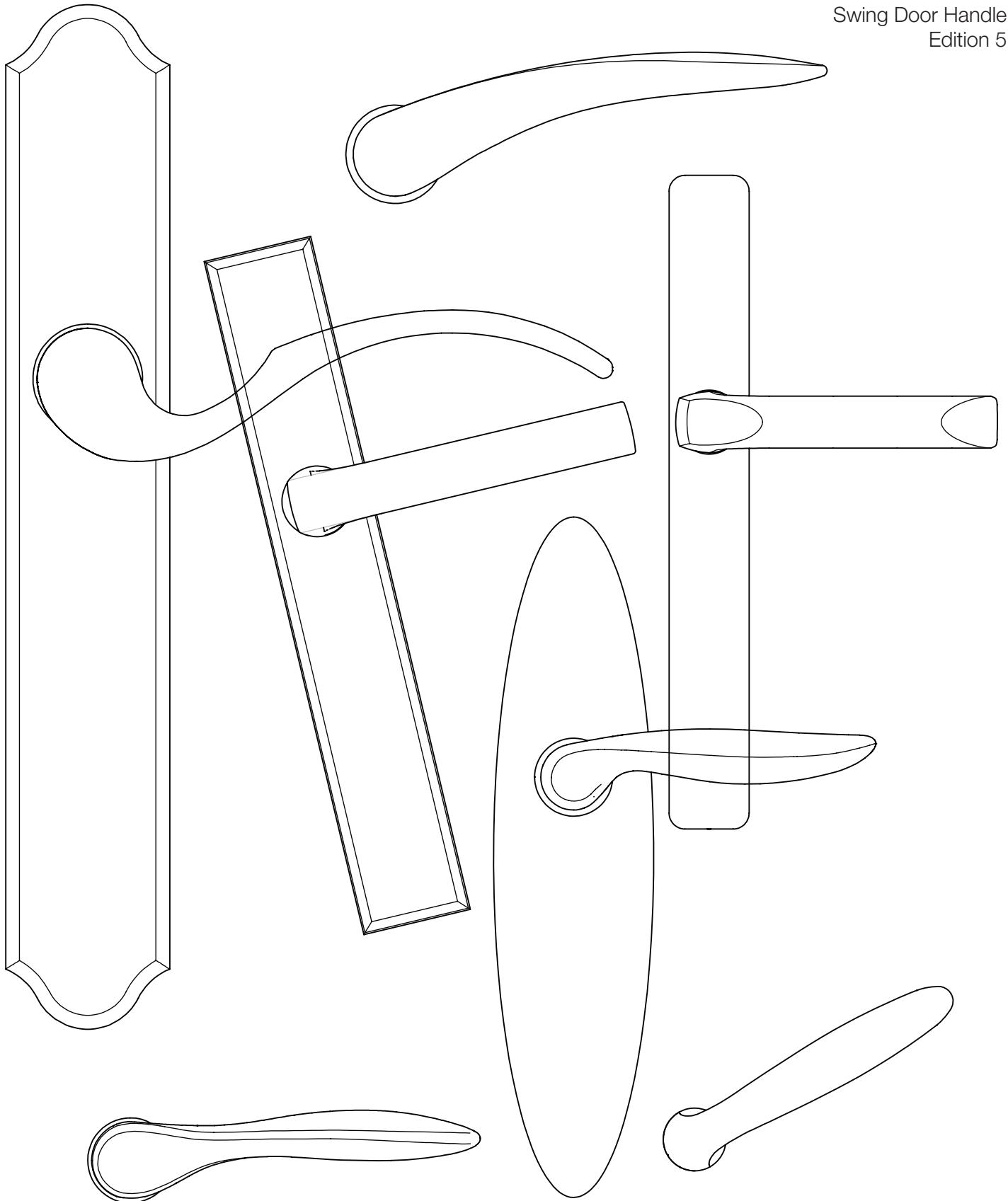


HOPPE® 

Handle of excellence.

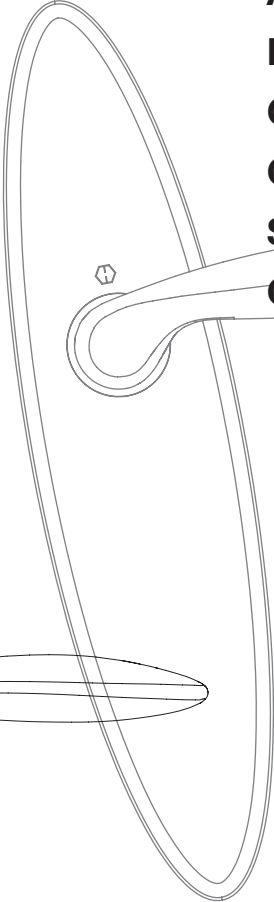
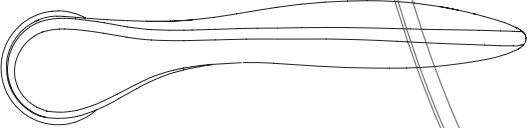
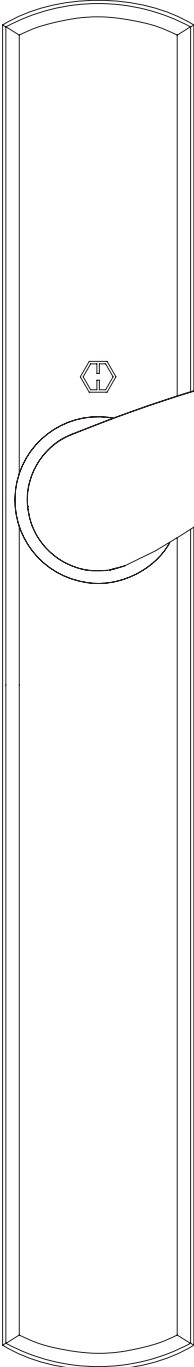
HLS®9000
Swing Door Handle
Edition 5



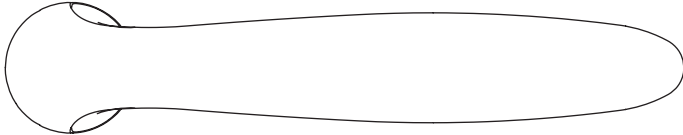
Dallas Series



Straight, modern lines. Clean, contemporary appearance. Dallas Series has rapidly grown to one of the most popular styles in our product range. See page 7 for details.



Handle Information	Page 5
Dallas	Page 6
München	Page 7
New Orleans	Page 10
Rόδos	Page 13
Toronto	Page 14
Verona	Page 16
Frankfurt	Page 19
London	Page 20
Handle Components	Page 21
Backplate Components	Page 26
Replacement Parts	Page 29
Accessories	Page 31
Handle Set Information	Page 32
Cylinders	Page 36
Cylinder Replacement Parts	Page 40
Sales Tools	Page 41
Glossary	Page 42



Note: All information is for reference only and subject to change without notice.

Handle of excellence

The core of our company is prominently displayed in our logo – Handle of excellence. HOPPE is a global leader in the production of handles for doors and windows. Our handle products are made in our own certified factories with our own proven processes and techniques. Decades of refinement and a constant focus on innovation ensure you will receive a quality product that will set your doors and windows apart from the others.

Family-owned

HOPPE North America is part of a family-owned global organization, the HOPPE Group. We realize the benefits of being a family-owned company every day. We are uninhibited by much of the red tape and short-term requirements of corporate conglomerates and private equity-owned divisions. We can react more nimbly to the constantly changing needs of our customers. Most importantly, our owners are directly involved in our industry driving our organization to focus on lasting relationships and long term support of our customers and the marketplace.

HOPPE innovations

Select handles in this catalog feature the HOPPE Quick-Fit Connection. This innovative technology allows for fast, simple installation of handles. Simply slide the handle onto the spindle, press firmly together and installation is complete. Set screws and hex wrenches are not needed. Handles are removed with the release tool provided with the handle set or with a slotted screw driver (2.5 mm [0.098"] wide tip).

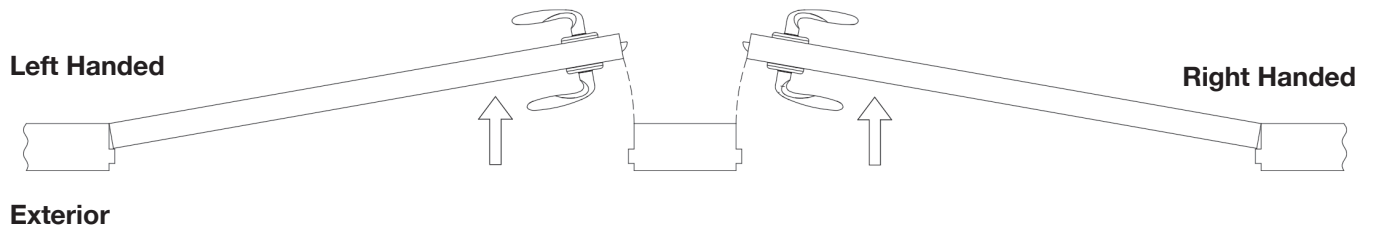
Specifying handle sets

Handle sets in this catalog assume a 1-3/4" thick door panel and centered Eurogroove. To specify a handle set not shown in this catalog, the following must be defined.

Criteria	Example
Configuration	Active
Hardware Finish	Satin Nickel Resista® (F42-R)
Handle Series	Dallas Series
Backplate model	M2161
Door thickness	2-1/4"
Eurogroove position (for thicker doors)	Centered or Offset



Door Handing



Door handing is always determined from the exterior.
When hinges are on the left, the door is LH; when the hinges are on the right, door is RH.
Inswing or outswing does not determine handing.

Resista® - The HOPPE Surface Guarantee

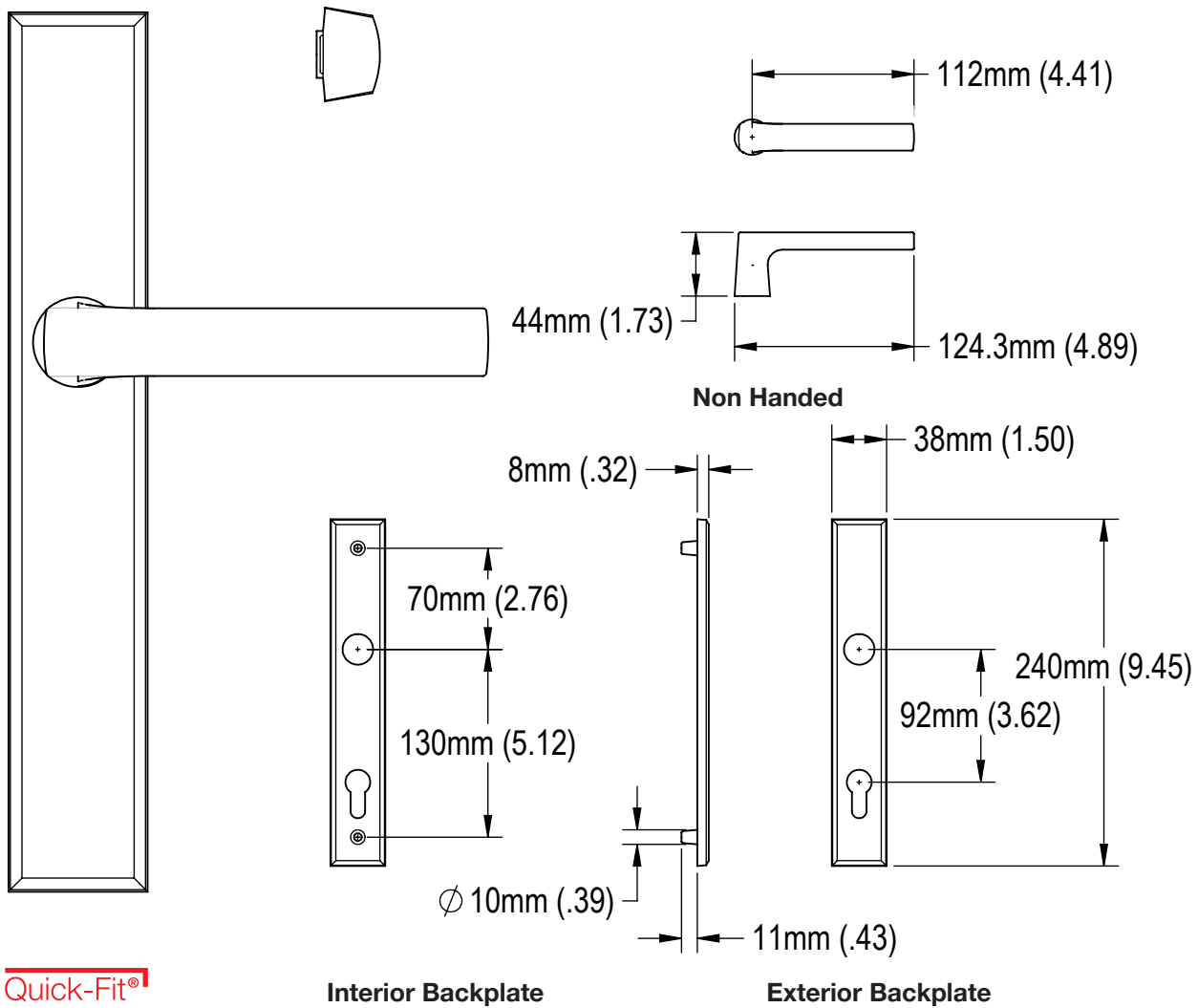
All HOPPE brass handles are manufactured using the finest quality brass alloys. The surface of the handle is protected by a transparent enamel finish which offers strength, intensity and durability, as well as a smooth, blemish-free surface.

HOPPE's Resista® program of finishes is available on selected solid brass handle sets and protects against tarnishing, peeling and cracking. All Resista® finishes are indicated by an "R" after the handle color code and are covered by our Resista® Finish Limited Lifetime Warranty.

It is important to remember to use water and a soft cloth to clean brass. Do not use brass cleaner, detergents or chemical cleansers as they may remove the protective coating.

Resista®

Dallas Series

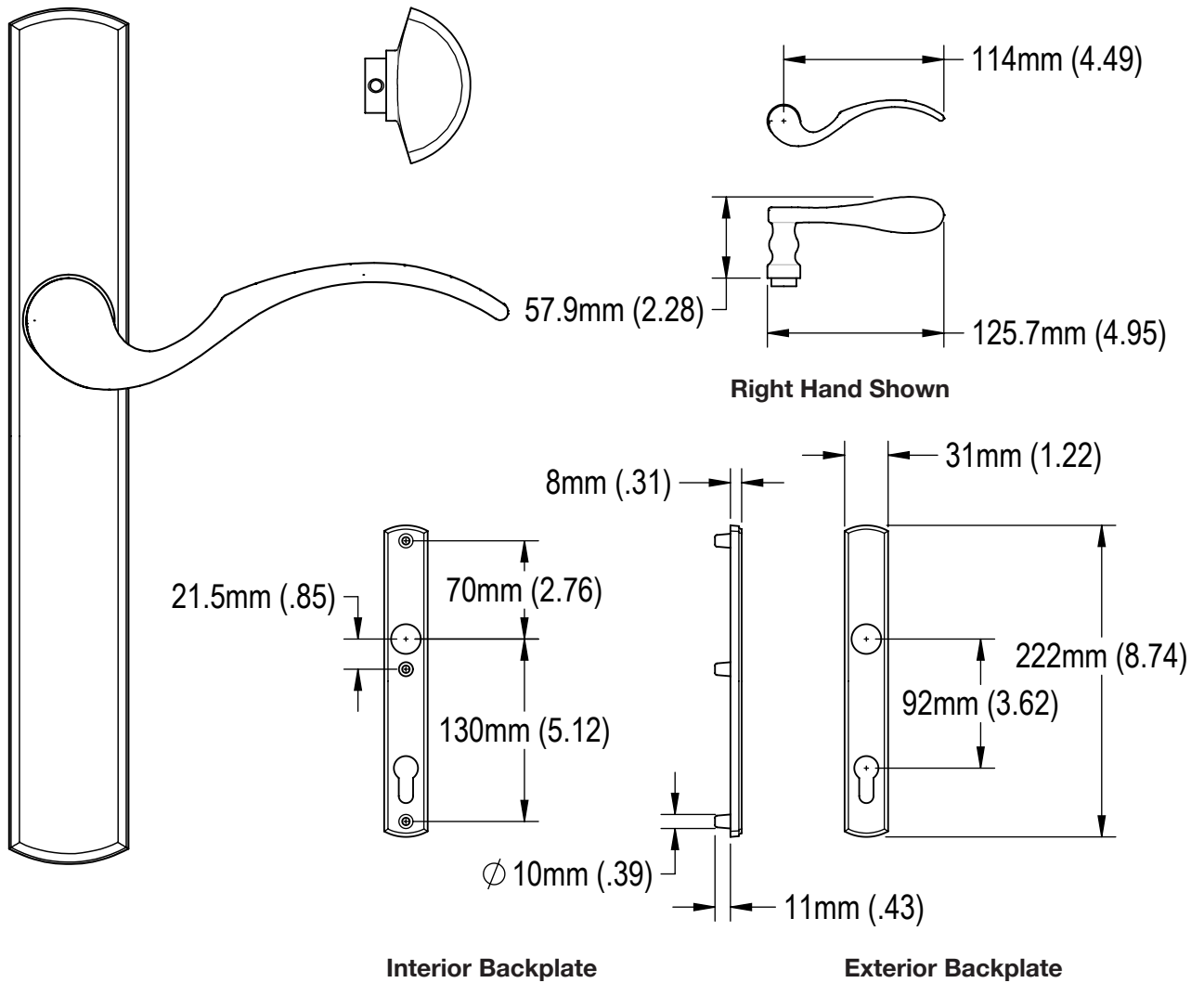


Quick-Fit[®]

Model: M1643/M2161N Material: Solid Brass	Brass Resista [®] (F77-R)	Satin Nickel Resista [®] (F42-R)	Matte Black (F9714)	Dark Bronze Metallic (F82)	Rustic Umber (F8709)
Active Door Set - 90 degree cylinder	3870415	3870394	3870407	3870386	11503208
Inactive Door Set - 90 degree thumb turn cylinder	3870378	3870351	3870360	3870343	11503215
Pair Fixed Dummy	3755661	3745163	3764866	3745155	11501996

All Handle Sets are for 1 3/4" thick Panels

Fixed Dummy Sets do not operate.

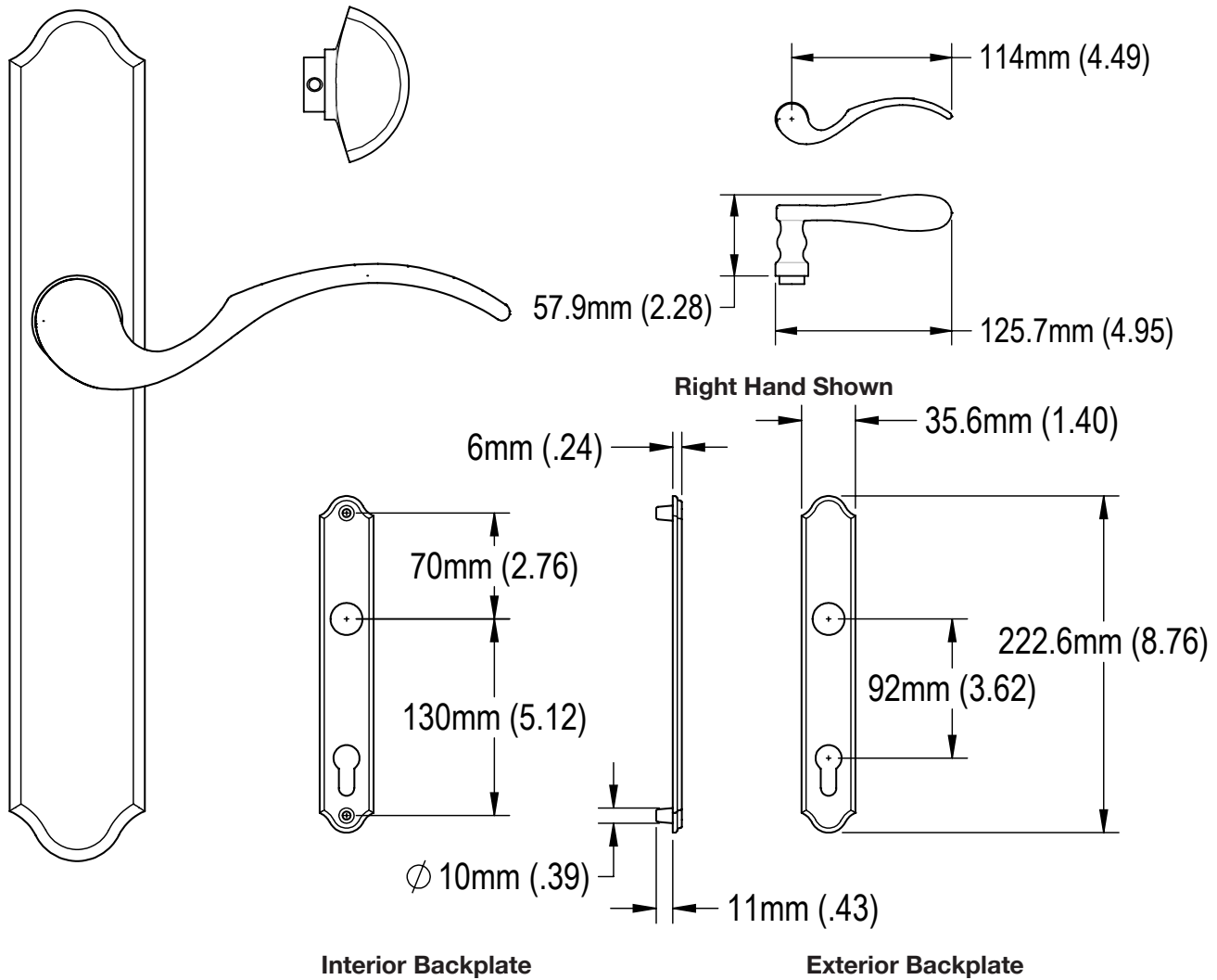


Model: M112PL/216N Material: Solid Brass	Brass Resista® (F77-R)	Antique Brass (F73)	Brushed Chrome Resista® (F41-R)	Oil-Rubbed Brass (F79)	Matte Black (F9714)	Satin Nickel Resista® (F42-R)	Rustic Umber (F8709)
Active Door Set - 90 degree cylinder	2131135	2131143	2131160	2131581	2131178	2106263	2205739
Active Door Set - Cylinder not included	2106474	8762947	8765471	8765603	8771091	2105113	
Inactive Door Set - 90 degree thumb turn insert	2131590	2131602	2131629	2131670	2131637	2106301	2205747
Inactive Door Set - Thumb turn insert not included	2106491	8765347	8765475	8765607	8771095		
Pair Fixed Dummy	2119187	8787963	8787975	8788031	8788019	2087891	2199519

All Handle Sets are for 1 3/4" thick doors

Fixed Dummy Sets do not operate.

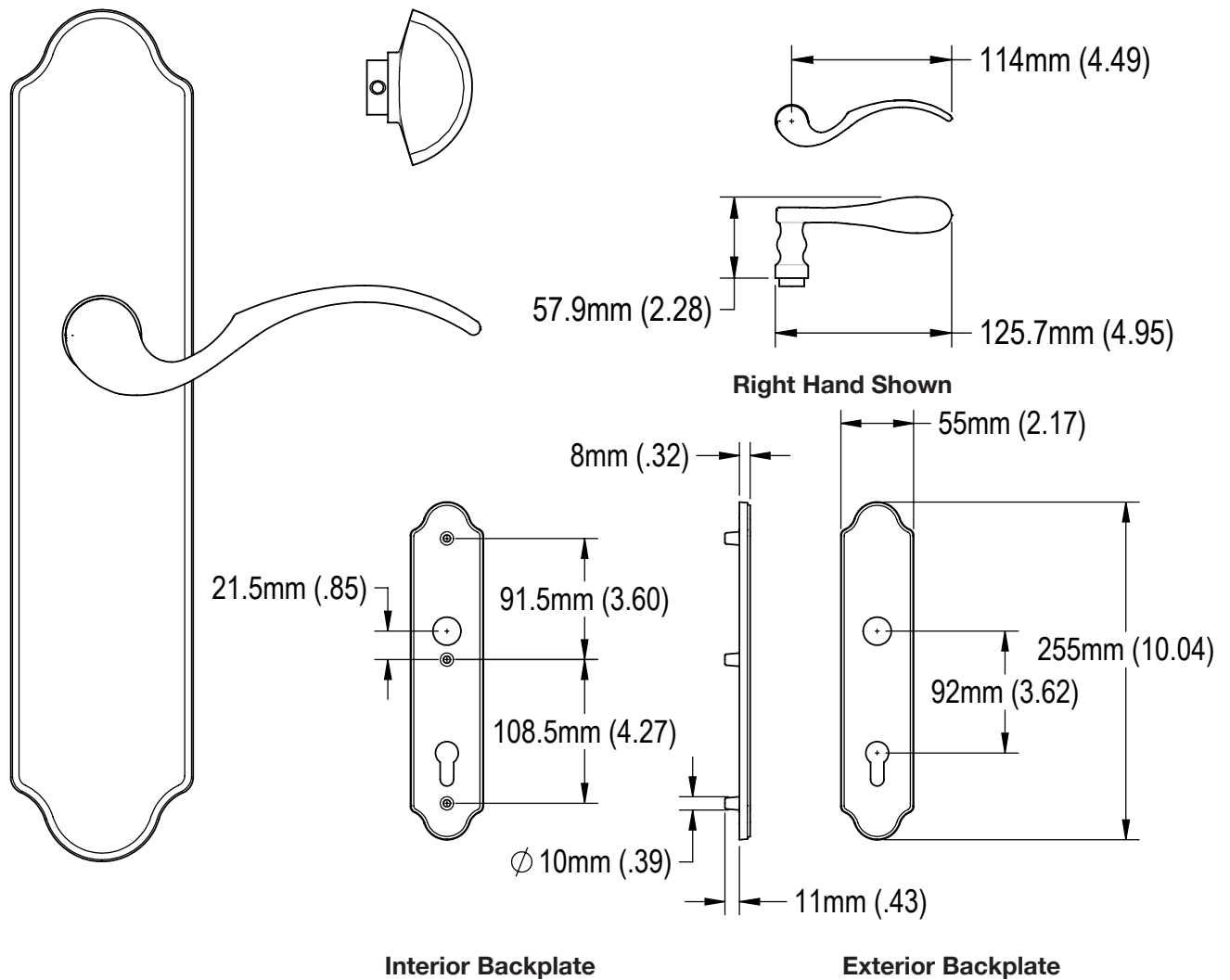
München Series



Model: M112PL/374N Material: Solid Brass	Brass Resista® (F77-R)	Antique Brass (F73)	Brushed Chrome Resista® (F41-R)	Polished Chrome Resista® (F49-R)	Oil-Rubbed Brass (F79)	Pure White (F9010)	Matte Black (F9714)	Satin Nickel Resista® (F42-R)	Rustic Umber (F8709)	Dark Bronze Metallic (F82)
Active Door Set - 90 degree cylinder	2116331	8763123	8763167	8763135	8773267	8763187	8773711	2094813	2214651	3366366
Active Door Set - Cylinder not included	2106765	8764955		8765007	8765035	8765059	8771139	2105666	2214571	
Inactive Door Set - 90 degree thumb turn insert	2133579	8763127	8766019	8763147	8766015	8763191	8773715	2106280	2214660	
Inactive Door Set - Thumb turn insert not included	2106781			8765011	8765039			2105703		
Pair Fixed Dummy	2076682	8788051	8788059	8788067	8788091	8788075	8788083	2088149	2214601	3366382

All Handle Sets are for 1 3/4" thick doors

Fixed Dummy Sets do not operate.

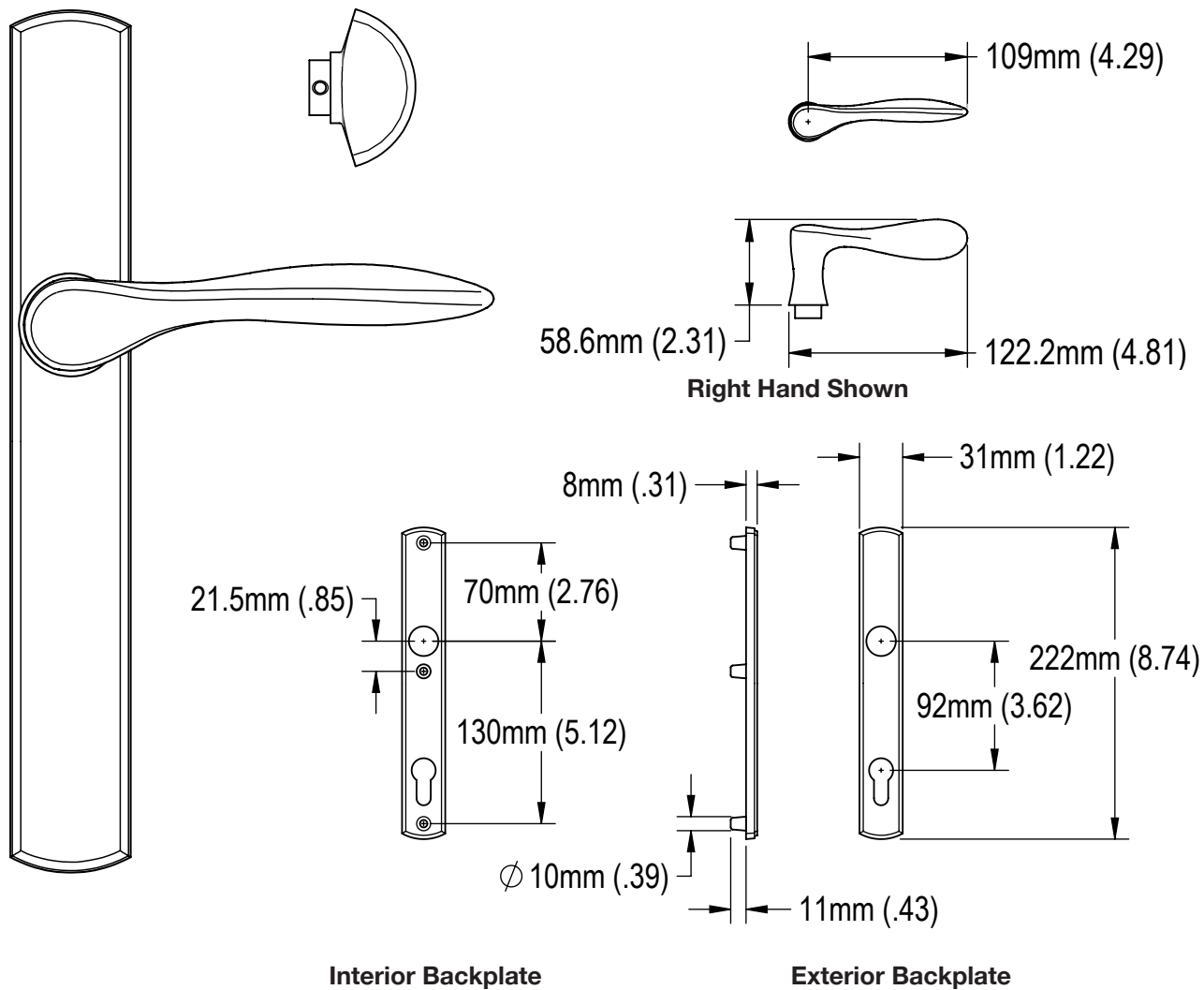


Model: M112PL/3965N Material: Solid Brass	Brass Resista® (F77-R)	Matte Black (F9714)	Satin Nickel Resista® (F42-R)	Rustic Umber (F8709)
Active Door Set - 90 degree cylinder	2422063	2422039	2422047	2422071
Active Door Set - Cylinder not included	2422194	2422160	2422178	
Inactive Door Set - 90 degree thumb turn insert	2422338	2422282	2422303	2422354
Inactive Door Set - Thumb turn insert not included	2422477			
Pair Fixed Dummy	2422725	2422696	2422709	2422733

All Handle Sets are for 1 3/4" thick doors

Fixed Dummy Sets do not operate.

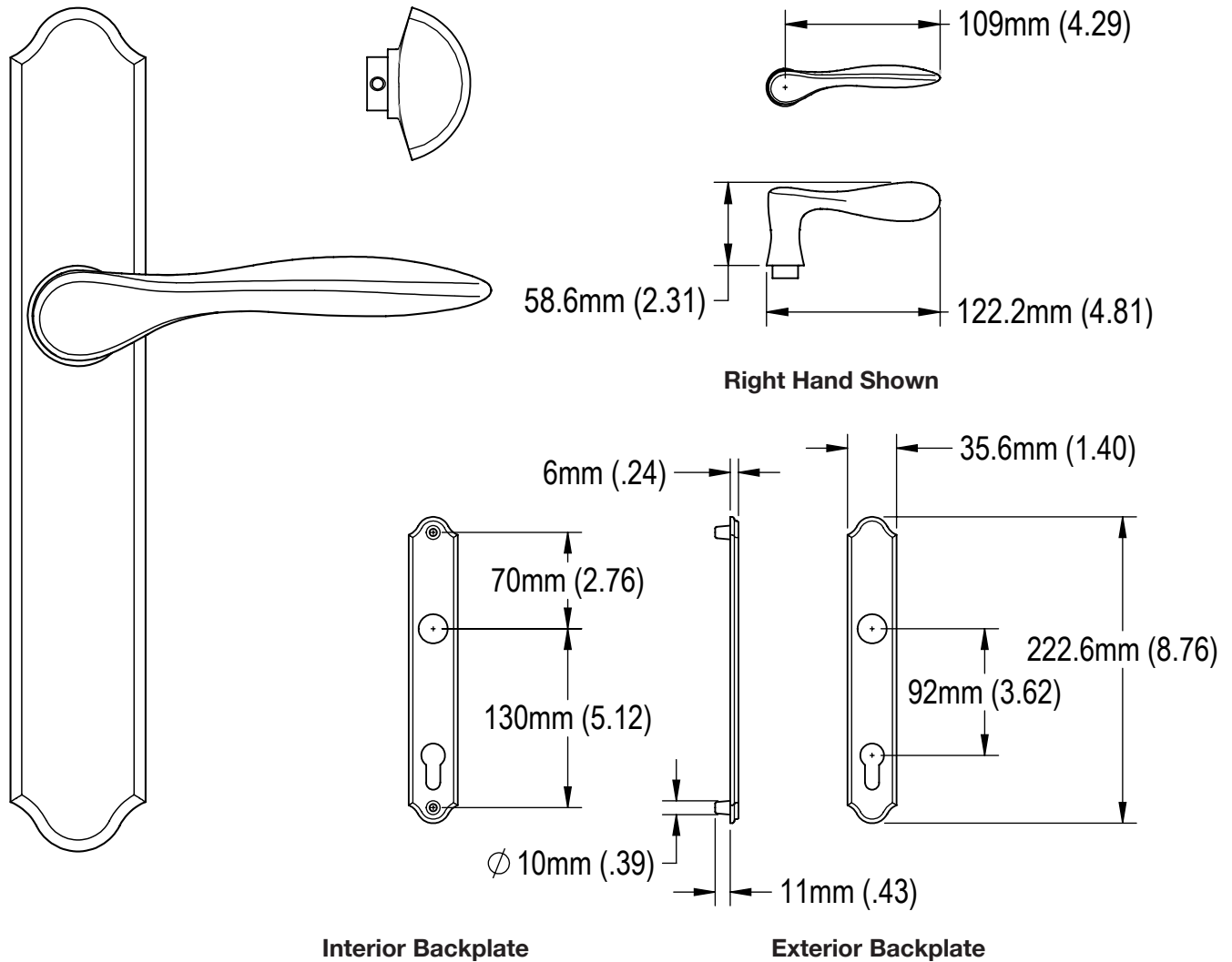
New Orleans Series



Model: M1610/216N Material: Solid Brass	Brushed Chrome Resista® (F41-R)	Oil-Rubbed Brass (F79)	Matte Black (F9714)	Satin Nickel Resista® (F42-R)	Rustic Umber (F8709)
Active Door Set - 90 degree cylinder	2131952	2132007	2131987	2131961	2207507
Active Door Set - Cylinder not included	2110748	2110781	2110801	2110756	2207478
Inactive Door Set - 90 degree thumb turn insert	2132373	2132429	2132402	2132381	2207515
Inactive Door Set - Thumb turn insert not included				2111353	
Pair Fixed Dummy		2109122	2098793	2098751	2201885

All Handle Sets are for 1 3/4" thick doors

Fixed Dummy Sets do not operate.

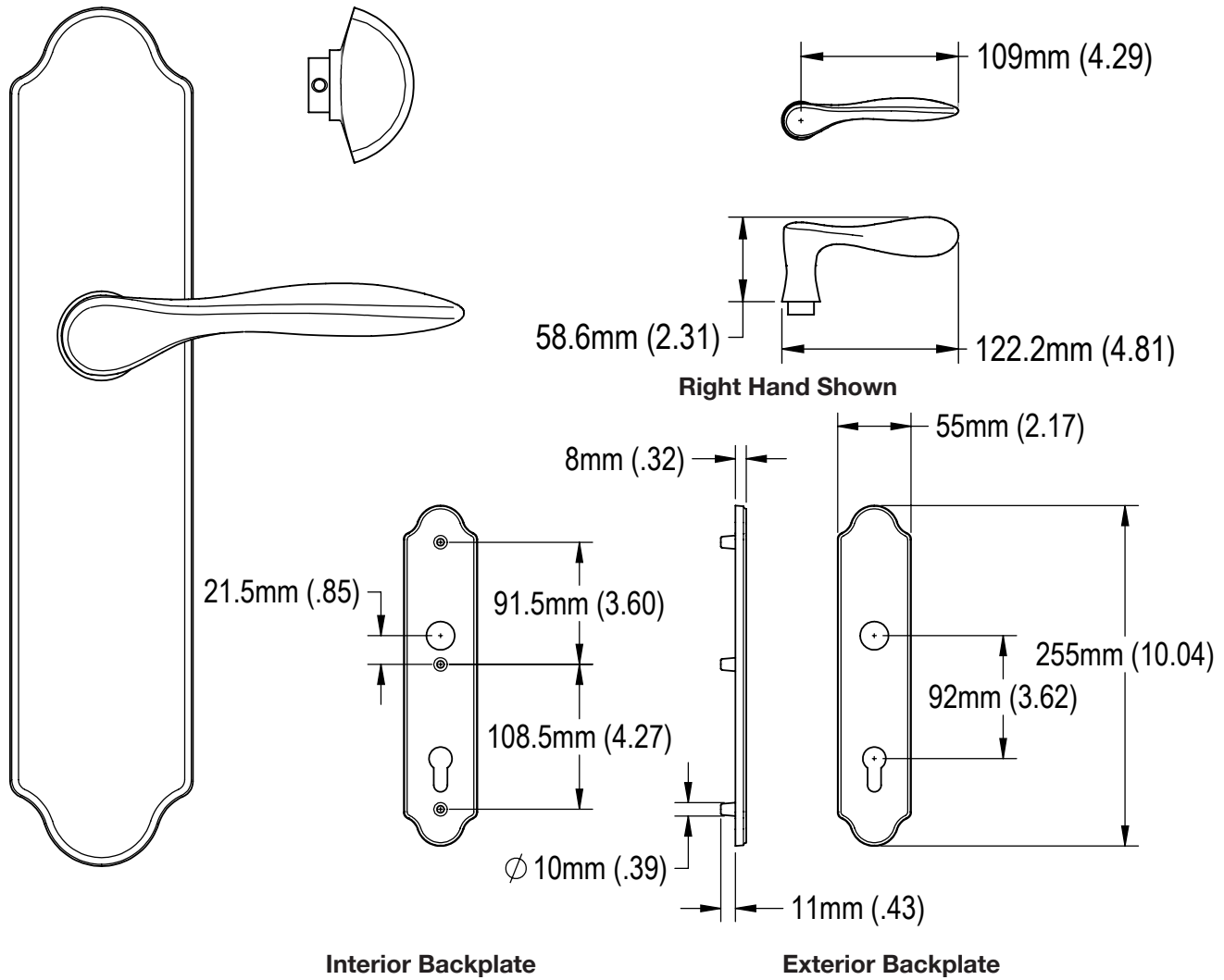


Model: M1610/374N Material: Solid Brass	Brass Resista® (F77-R)	Brushed Chrome Resista® (F41-R)	Matte Black (F9714)	Satin Nickel Resista® (F42-R)	Rustic Umber (F8709)
Active Door Sets - 90 degree cylinder	2338232	2338267	2338275	2338304	2217342
Active Door Sets - Cylinder not included	2112461		2112874	2112495	2217262
Inactive Door Sets - 90 degree thumb turn insert	2338321	2338355	2338363	2338793	2217351
Inactive Door Sets - Thumb turn insert not included			2113156	2113105	
Pair Fixed Dummy	2113869		2103716	2103679	2217297

All Handle Sets are for 1 3/4" thick doors

Fixed Dummy Sets do not operate.

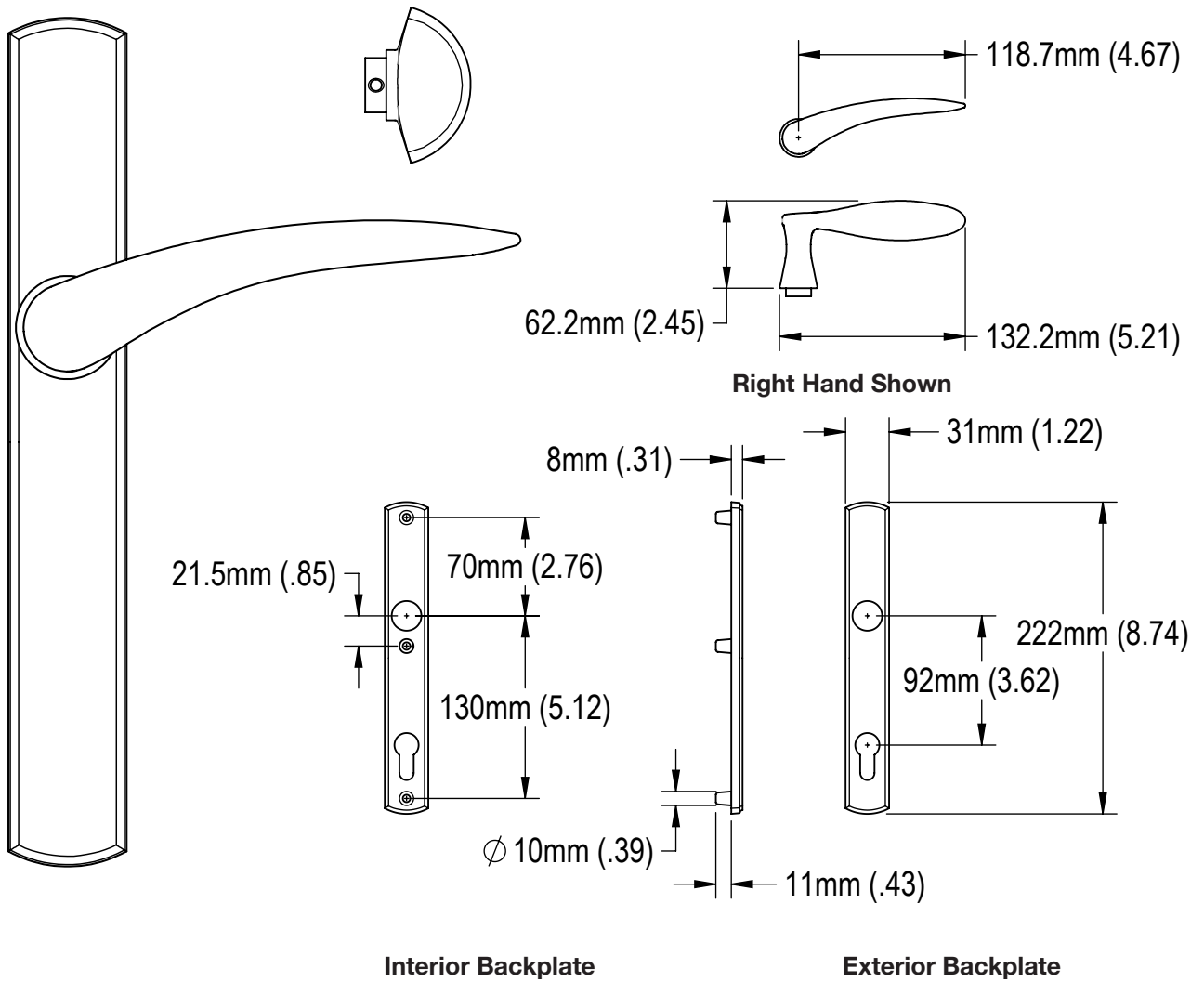
New Orleans Series



Model: M1610/3965N Material: Solid Brass	Oil-Rubbed Brass (F79)	Satin Nickel Resista® (F42-R)	Rustic Umber (F8709)
Active Door Set - 90 degree cylinder	2431736	2431779	2431795
Inactive Door Set - 90 degree thumb turn insert	2431939	2431971	2432000
Pair Fixed Dummy		2432181	2432202

All Handle Sets are for 1 3/4" thick doors

Fixed Dummy Sets do not operate.

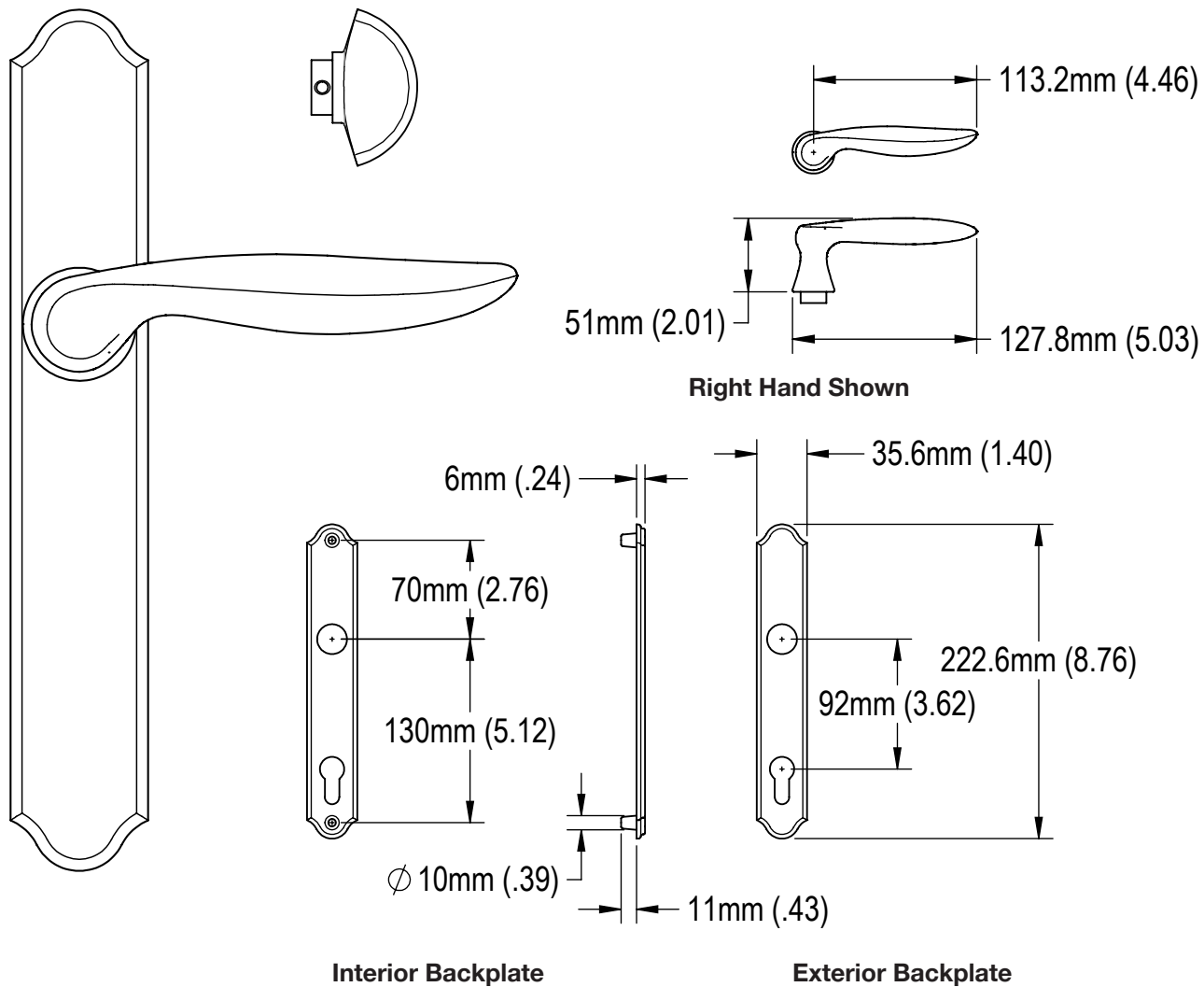


Model: M1603/216N Material: Solid Brass	Antique Brass (F73)	Brushed Chrome Resista® (F41-R)	Oil-Rubbed Brass (F79)	Pure White (F9010)	Matte Black (F9714)	Satin Nickel Resista® (F42-R)	Rustic Umber (F8709)
Active Door Set - 90 degree cylinder	2131725	2111118	2131813	2131792	2111126	2131750	2207443
Active Door Set - Cylinder not included	2115750	2115768	2116015	2115805	2115813	2115776	2207419
Inactive Door Set - 90 degree thumb turn insert	2131848	2111185	2131910	2131901	2111193	2131872	2207451
Inactive Door Set - Thumb turn insert not included				2116314	2116322	2116277	
Pair Fixed Dummy Door Trim	2117181	2117190			2117253	2117202	2201834

All Handle Sets are for 1 3/4" thick doors

Fixed Dummy Sets do not operate.

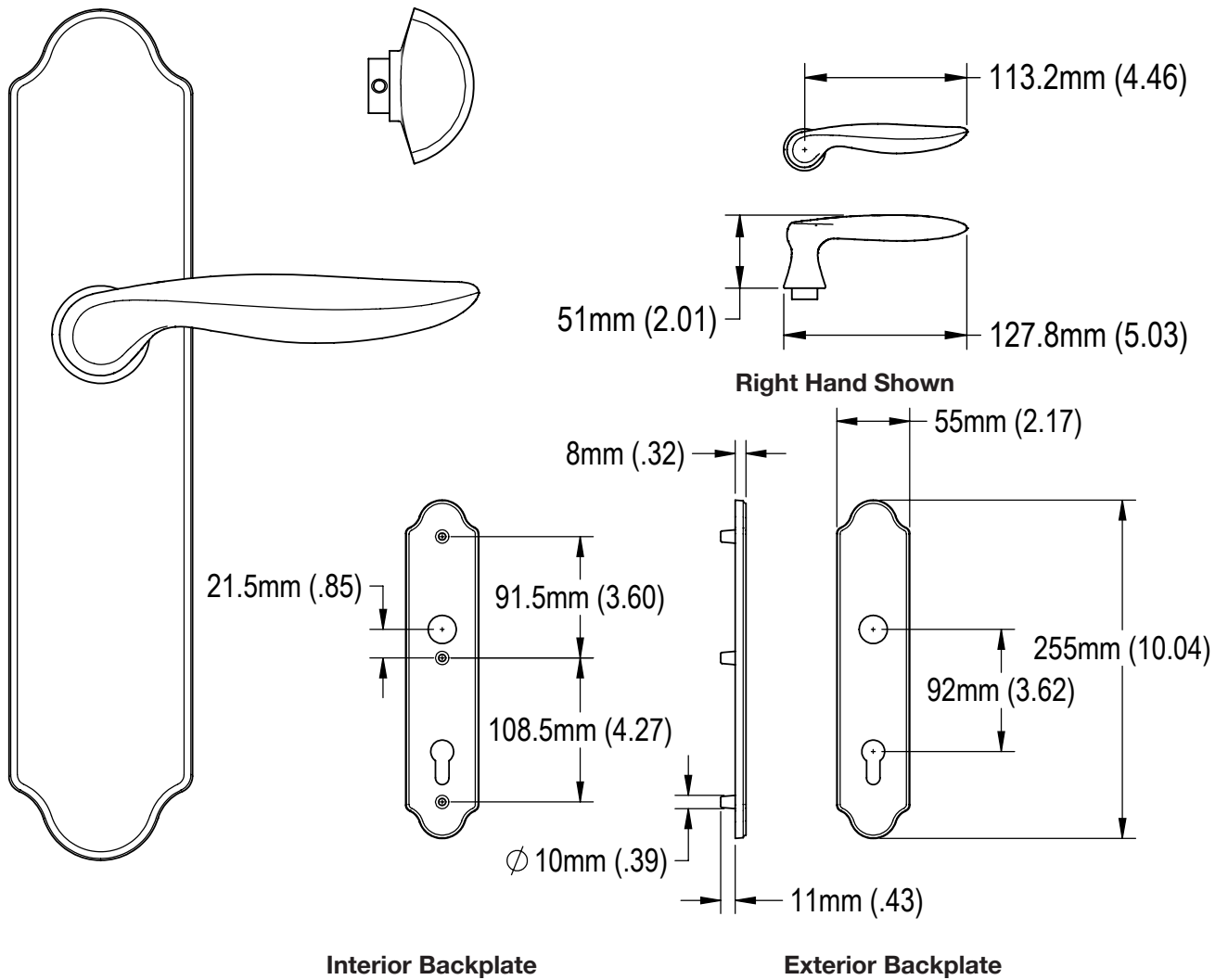
Toronto Series



Model: M1020/374N Material: Solid Brass	Brass Resista® (F77-R)	Brushed Chrome Resista® (F41-R)	Oil-Rubbed Brass (F79)	Matte Black (F9714)	Satin Nickel Resista® (F42-R)	Rustic Umber (F8709)
Active Door Set - 90 degree cylinder	2133641	2134192	2134301	2134328	2134205	2214504
Active Door Set - Cylinder not included	8789339		8788463	8788479	2074290	2214416
Inactive Door Set - 90 degree thumb turn insert		2134352	2134395	2134416	2134361	2214555
Inactive Door Set - Thumb turn insert not included				8788527	2074329	
Pair Fixed Dummy Door Trim	2081545	2081561	2088739	2081617	2081570	2214441

All Handle Sets are for 1 3/4" thick doors

Fixed Dummy Sets do not operate.

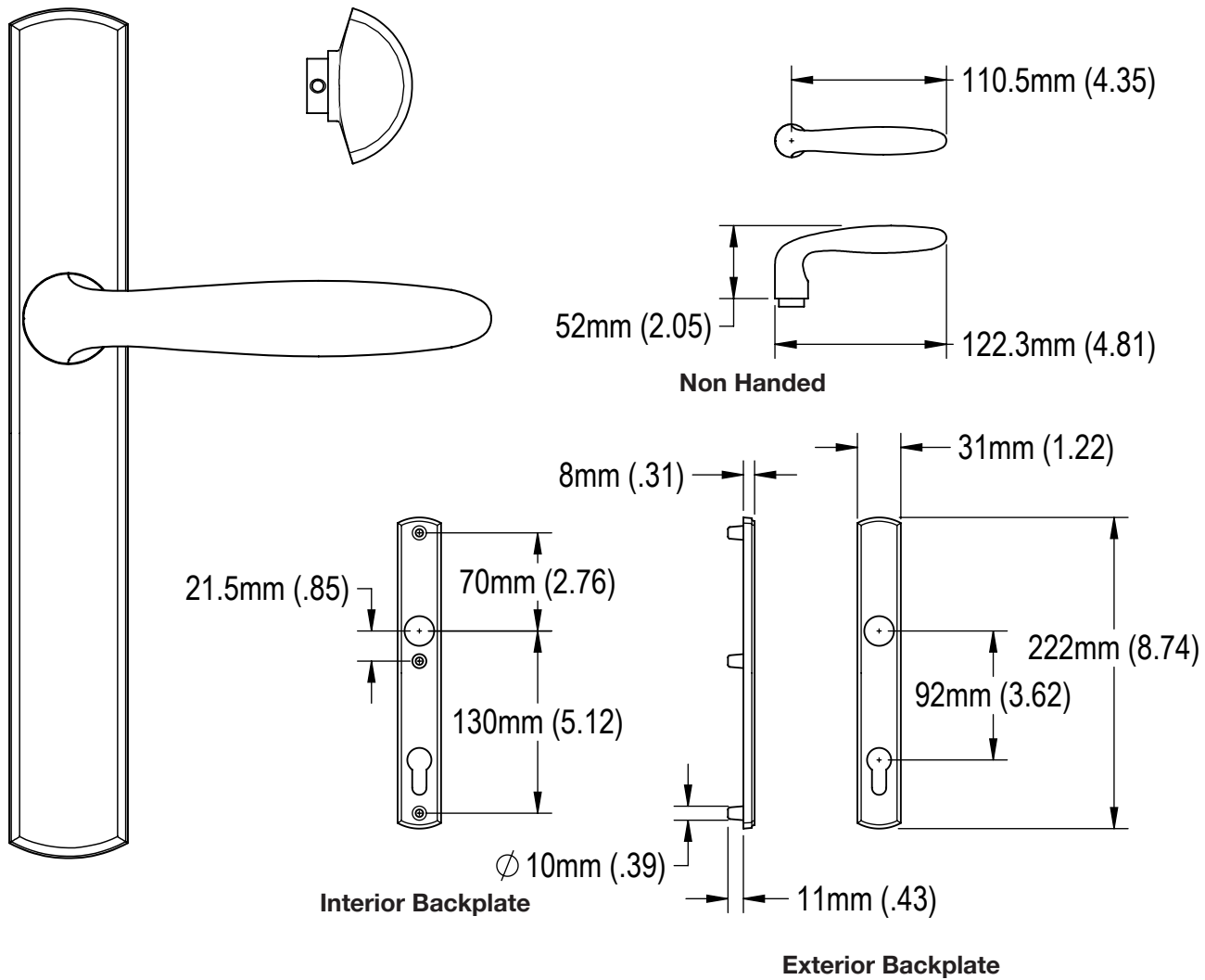


Model: M1020/3965N Material: Solid Brass	Brushed Chrome Resista® (F41-R)	Rustic Umber (F8709)
Active Door Set - 90 degree cylinder	2427235	2427340
Active Door Set - Cylinder not included		2427489
Inactive Door Set - 90 degree thumb turn insert		2427585
Inactive Door Set - Thumb turn insert not included		2427729
Pair Fixed Dummy	2427745	2427825

All Handle Sets are for 1 3/4" thick doors

Fixed Dummy Sets do not operate.

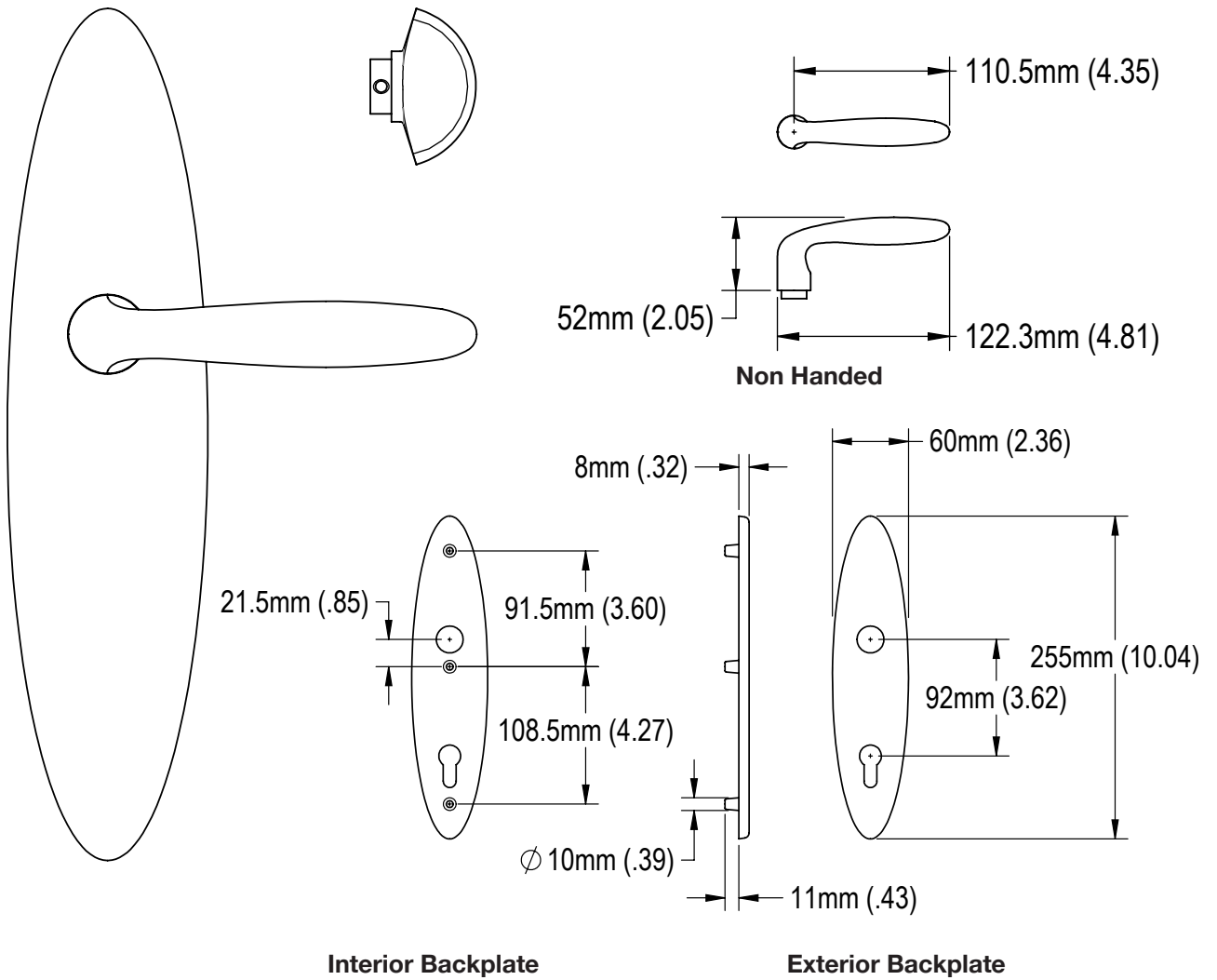
Verona Series



Model: M151/216N Material: Solid Brass	Brass Resista® (F77-R)	Antique Brass (F73)	Brushed Chrome Resista® (F41-R)	Polished Chrome Resista® (F49-R)	Oil-Rubbed Brass (F79)	Pure White (F9010)	Matte Black (F9714)	Satin Nickel Resista® (F42-R)	Rustic Umber (F8709)
Active Door Set - 90 degree cylinder	2131021	2131039	2131055	2131047	2131080	2131071	2131063	2094805	2207558
Active Door Set - Cylinder not included	2093482	8773331	8773339	8773335	8773351	8773347	8773343	2087074	2207531
Inactive Door Set - 90 degree thumb turn insert	2131098	2131101	2039726	2131119	2203477	2131127	2039742	2095752	2207566
Inactive Door Set - Thumb turn insert not included	2093503	8773359	8773367	8773363	8773379	8773375	8773371	2087111	2209254
Pair Fixed Dummy	2093511	8787971	8787983	8787999	8788039	8788015	8788027	2087138	2153211

All Handle Sets are for 1 3/4" thick doors

Fixed Dummy Sets do not operate.

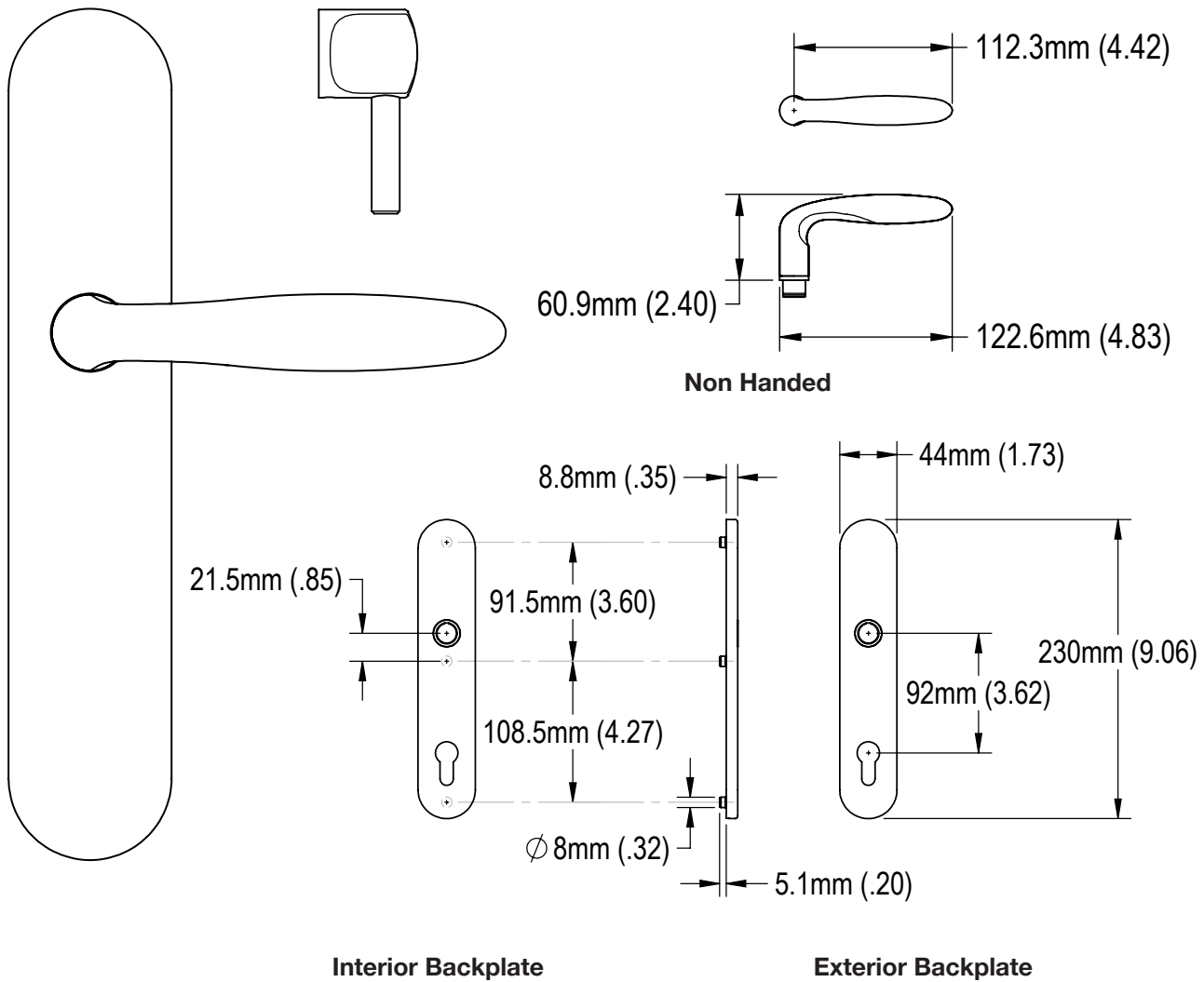


Model: M151/3955N Material: Solid Brass	Rustic Umber (F8709)
Active Door Set - 90 degree cylinder	2414493
Active Door Set - Cylinder not included	11542415
Inactive Door Set - 90 degree thumb turn insert	
Inactive Door Set - Thumb turn insert not included	11542408
Pair Fixed Dummy	

All Handle Sets are for 1 3/4" thick doors

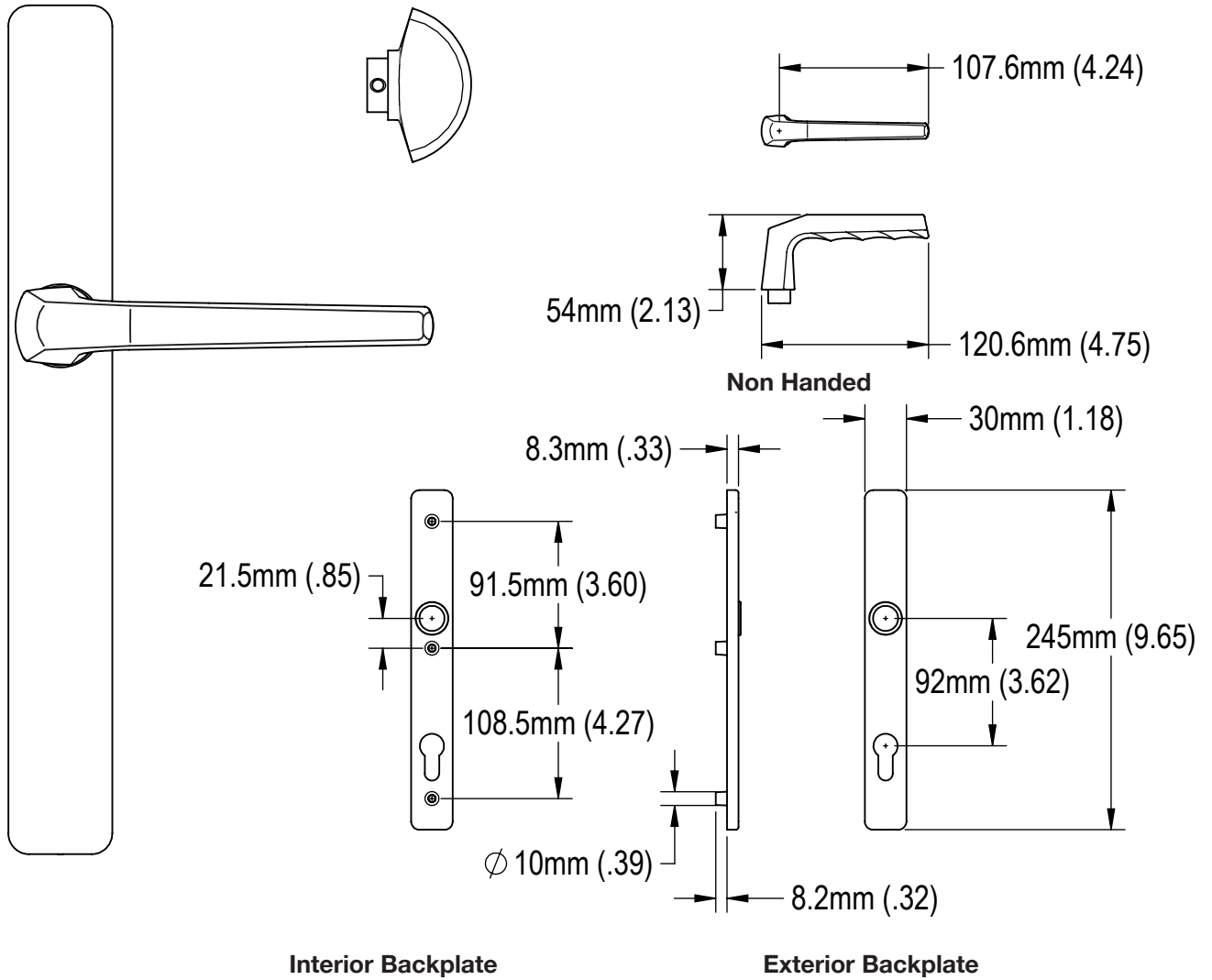
Fixed Dummy Sets do not operate.

Verona Series



Model: E1800/353 Material: Stainless Steel	Brushed Stainless Steel (F69)
Active Door Set - 90 degree cylinder	3953835
Inactive Door Set - 90 degree thumb turn insert	3954301
Inactive Door Set - Thumb turn insert not included	

All Handle Sets are for 1 3/4" thick doors

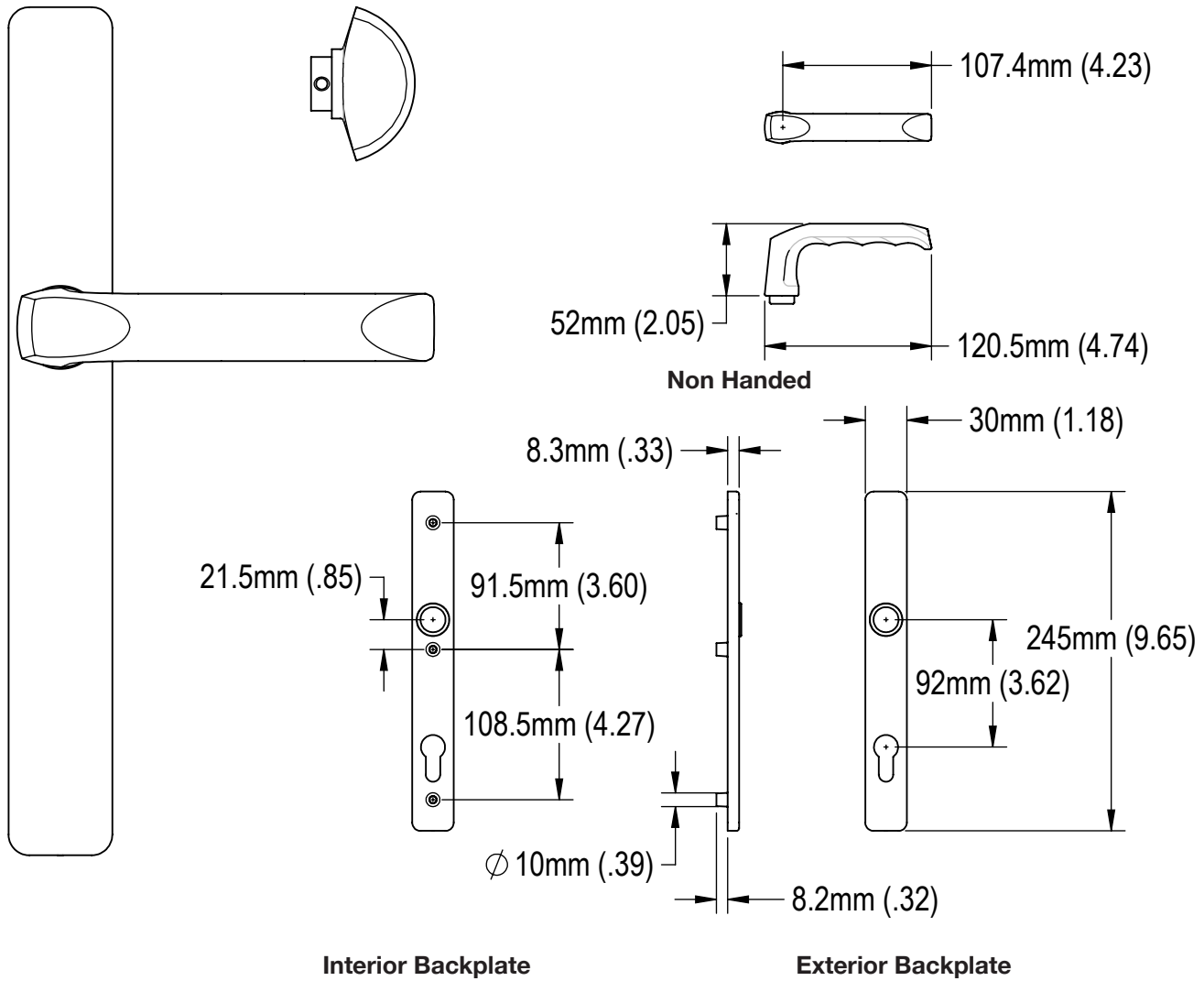


Model: 117L/2246 Material: Aluminum	Silver (F1)	Chestnut (F5)	Pure White (F9010)
Active Door Set - 90 degree cylinder	2439164	2437652	2437791
Inactive Door Set - 90 degree thumb turn insert	2439199	2437767	2437839
Pair Fixed Dummy	3671361	3743571	

All Handle Sets are for 1 3/4" thick doors

Fixed Dummy Sets do not operate.

London Series

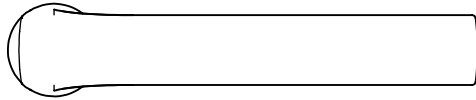


Model: 113L/2246 Material: Aluminum	Silver (F1)
Active Door Set - 90 degree cylinder	2445839
Inactive Door Set - 90 degree thumb turn insert	
Pair Fixed Dummy	3908313

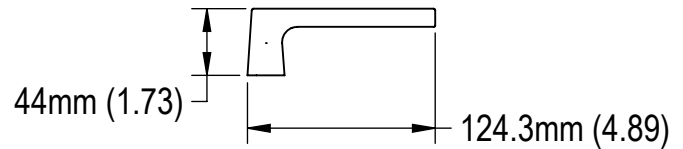
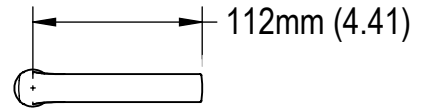
All Handle Sets are for 1 3/4" thick doors

Fixed Dummy Sets do not operate.

Dallas Solid Brass M1643

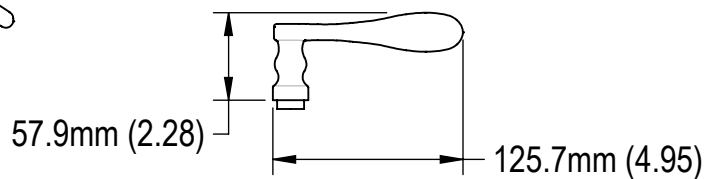
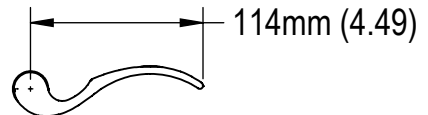


Quick-Fit®



Dallas	Brass Resista® (F77-R)	Satin Nickel Resista® (F42-R)	Matte Black (F9714)	Dark Bronze Metallic (F82)
M1643 handle for active or inactive handle set (includes quick fit tool)	3853199	3853201	3853172	3853164

München Solid Brass M112PL

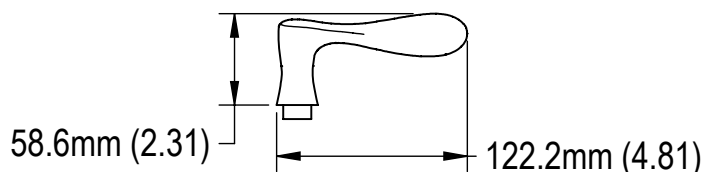
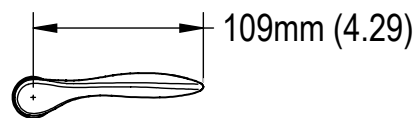
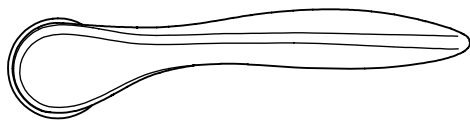


München	Brass Resista® (F77-R)	Antique Brass (F73)	Brushed Chrome Resista® (F41-R)	Polished Chrome Resista® (F49-R)	Oil-Rubbed Brass (F79)	Pure White (F9010)	Matte Black (F9714)	Satin Nickel Resista® (F42-R)	Rustic Umber (F8709)
M112PL RH handle for active or inactive handle set (includes set screw and hex wrench)	2202811	8751499	8751507	8751515	8751523	8751531	8752399	2194283	2237247
M112PL LH handle for active or inactive handle set (includes set screw and hex wrench)	2202829	8751503	8751511	8751519	8751527	8751535	8752403	2194275	2237255

Note: For complete handle set a left hand and right hand handle is needed.

Handle Components

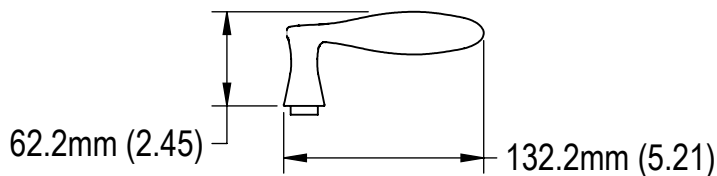
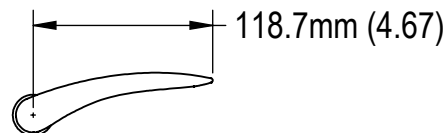
New Orleans Solid Brass M1610



New Orleans	Oil-Rubbed Brass (F79)	Satin Nickel Resista® (F42-R)	Rustic Umber (F8709)
M1610 RH handle for active or inactive handle set (includes set screw and hex wrench)	2241246	2241289	2241342
M1610 LH handle for active or inactive handle set (includes sets screw and hex wrench)	2241254	2241297	2241351

Note: For complete handle set a left hand and right hand handle is needed.

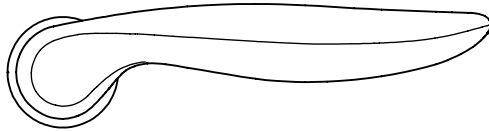
Ródos Solid Brass M1603



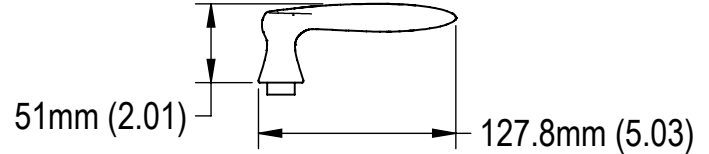
Ródos	Antique Brass (F73)	Matte Black (F9714)	Satin Nickel Resista® (F42-R)	Rustic Umber (F8709)
M1603 RH handle for active or inactive handle set (includes sets screw and hex wrench)	2239197	2239592	2240657	2240690
M1603 LH handle for active or inactive handle set (includes sets screw and hex wrench)	2239200	2240649	2240665	2240702

Note: For complete handle set a left hand and right hand handle is needed.

Toronto
Solid Brass
M1020



113.2mm (4.46)



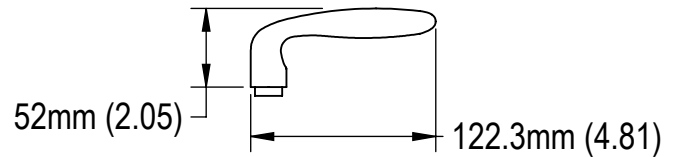
Toronto	Brass Resista® (F77-R)	Brushed Chrome Resista® (F41-R)	Oil-Rubbed Brass (F79)	Matte Black (F9714)	Satin Nickel Resista® (F42-R)	Rustic Umber (F8709)
M1020 RH handle for active or inactive handle set (includes sets screw and hex wrench)	2239138	11522331	2235989	2238282	2238320	2239154
M1020 LH handle for active or inactive handle set (includes sets screw and hex wrench)	2239146	2237415	2235954	2238311	2238338	2239162

Note: For complete handle set a left hand and right hand handle is needed.

Verona
Solid Brass
M151



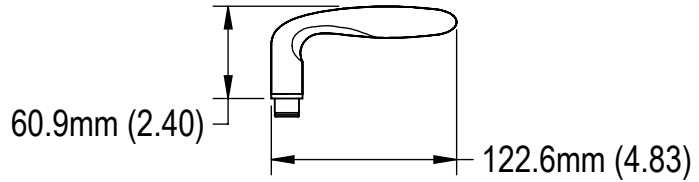
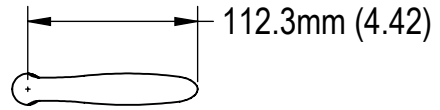
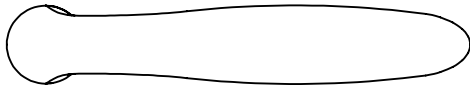
110.5mm (4.35)



Verona	Brass Resista® (F77-R)	Antique Brass (F73)	Brushed Chrome Resista® (F41-R)	Polished Chrome Resista® (F49-R)	Oil-Rubbed Brass (F79)	Pure White (F9010)	Matte Black (F9714)	Satin Nickel Resista® (F42-R)	Rustic Umber (F8709)
M151 non-handed handle for active or inactive handle set (includes sets screw and hex wrench)	2237343	8752519	8752527	8752523	8752539	8752535	8752531	2188166	2237351

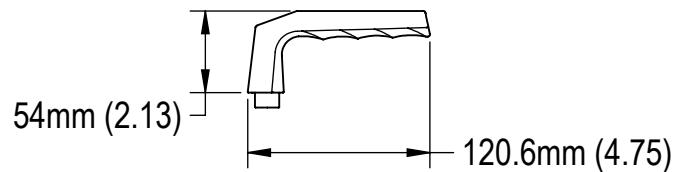
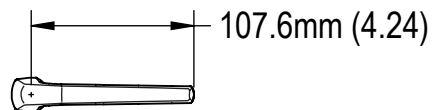
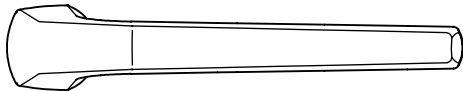
Handle Components

**Verona
Stainless Steel
E1800**

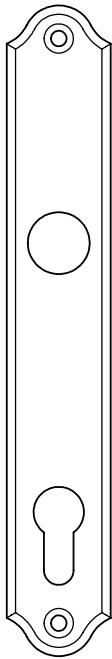


Verona	Stainless Steel (F69)
E1800 non-handed handle for active or inactive handle set (includes sets screw and hex wrench)	11651325

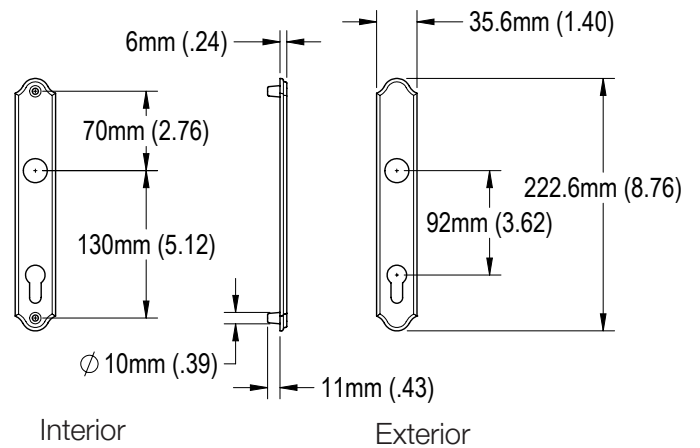
**Frankfurt
Aluminum
117L**



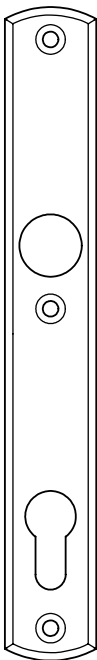
Frankfurt	Silver (F1)
117 non-handed handle for active or inactive handle set (includes sets screw and hex wrench)	2886301



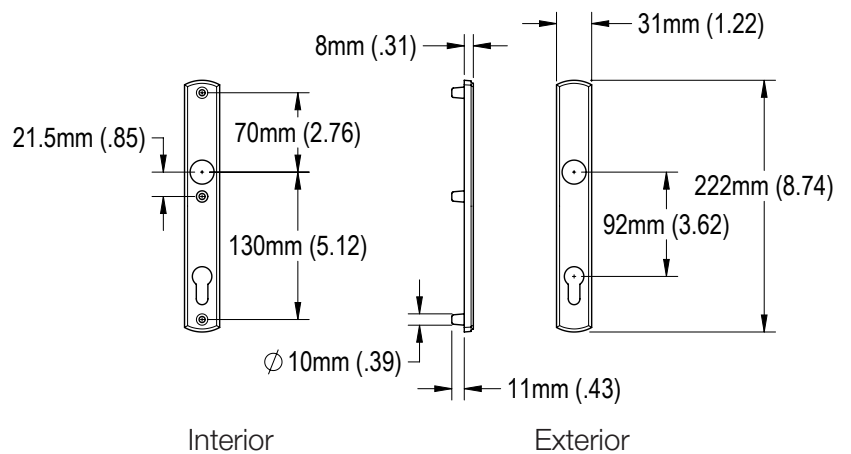
**Backplate
Solid Brass
M374N**



M374N Backplate for Active and Inactive sets	Brass Resista® (F77-R)	Antique Brass (F73)	Brushed Chrome Resista® (F41-R)	Polished Chrome Resista® (F49-R)	Oil-Rubbed Brass (F79)	Matte Black (F9714)	Satin Nickel Resista® (F42-R)	Rustic Umber (F8709)	Dark Bronze Metallic (F82)
Interior backplate PZ (with cylinder hole)	2202845	8751035	8751051	8751067	8751083	8752479	2194291	2224737	3208763
Exterior backplate PZ (with cylinder hole)	2202837	8751039	8751055		8751087	8752483	2194312	2224745	3208771
Exterior backplate UG (no cylinder hole)	2216761	8751047		8751079	8751095	8752487	2194321	2224753	3208780

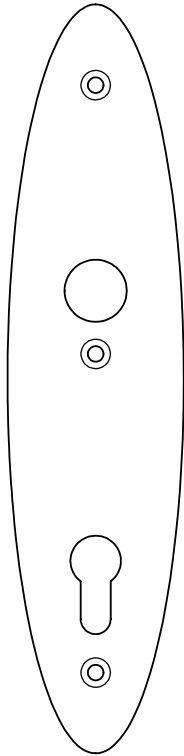


**Backplate
Solid Brass
M216N**

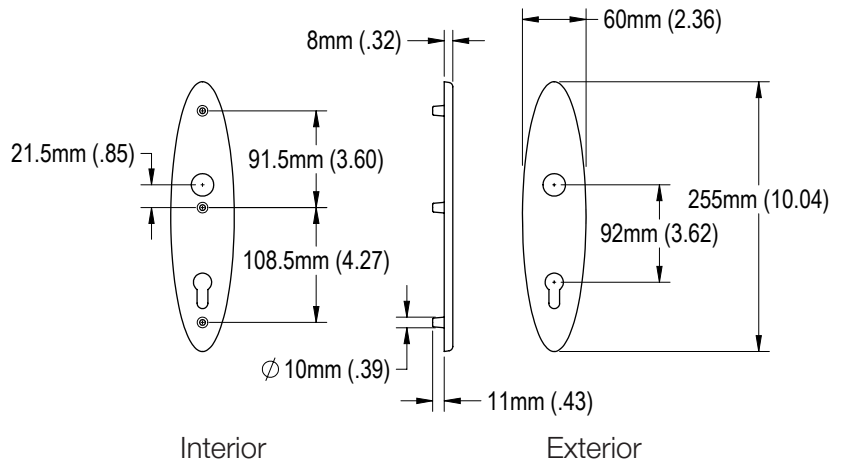


M216N Backplate for Active and Inactive sets	Brass Resista® (F77-R)	Antique Brass (F73)	Brushed Chrome Resista® (F41-R)	Polished Chrome Resista® (F49-R)	Oil-Rubbed Brass (F79)	Pure White (F9010)	Matte Black (F9714)	Satin Nickel Resista® (F42-R)	Rustic Umber (F8709)	Dark Bronze Metallic (F82)
Interior backplate PZ (with cylinder hole)	2216770	8750783	8750799	8750815	8750843	8750859	8752455	2188174	2224761	3806114
Exterior backplate PZ (with cylinder hole)	2216788	8750787	8750803	8750819	8750847	8750863	8752459	2188191	2224770	3806122
Exterior backplate UG (no cylinder hole)	2216964	8750795	8750811	8750831	8750855	8750871	8752463	2203469	2224788	3806131

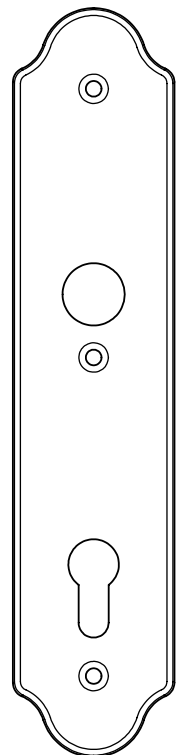
Backplate Components



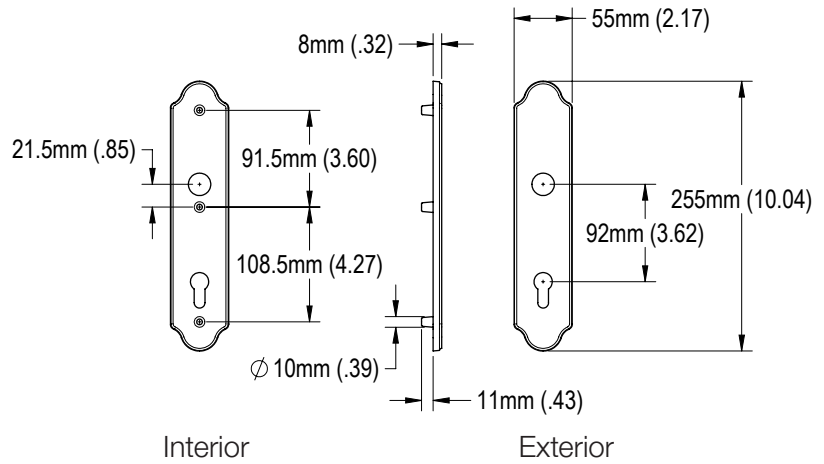
Backplate Solid Brass M3955N



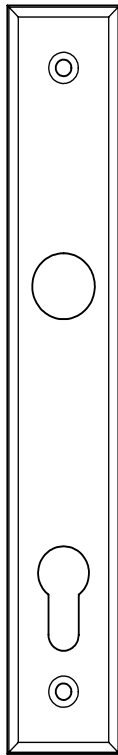
M3955N Backplate for Active and Inactive sets	Matte Black (F9714)
Interior backplate PZ (with cylinder hole)	2409248
Exterior backplate PZ (with cylinder hole)	2409352
Exterior backplate UG (no cylinder hole)	2410273



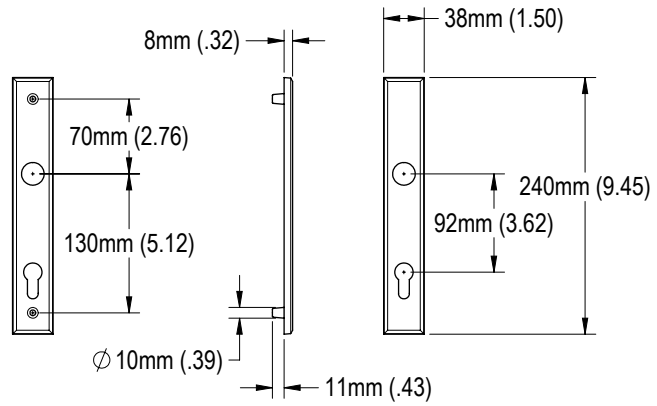
Backplate Solid Brass M3965N



M3965N Backplate for Active and Inactive sets	Brass Resista® (F77-R)	Brushed Chrome Resista® (F41-R)	Oil-Rubbed Brass (F79)	Matte Black (F9714)	Satin Nickel Resista® (F42-R)	Rustic Umber (F8709)
Interior backplate PZ (with cylinder hole)	2411348	2411276	2411292	2411313	2411321	2411356
Exterior backplate PZ (with cylinder hole)	2412092	2411372	2411399	2412068	2412076	2412105
Exterior backplate UG (no cylinder hole)			2412148	2412164	2412172	2412201



**Backplate
Solid Brass
M2161N**

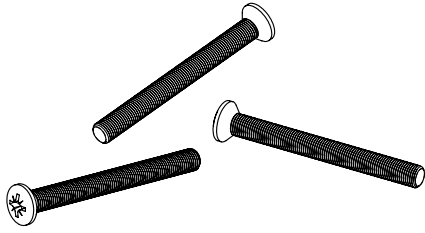


Interior

Exterior

Dallas plates M2161N	Satin Nickel Resista® (F42-R)	Matte Black (F9714)	Dark Bronze Metallic (F82)
Interior backplate PZ (with cylinder hole)	3850617	3850588	3850570
Exterior backplate PZ (with cylinder hole)	3851185	3851151	3851142
Exterior backplate UG (no cylinder hole)	3851231	3851206	3851193

Replacement Parts



Screw Packs for Backplates - 3 Screws per pack

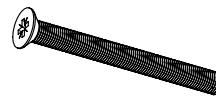
Size	Brass (F77)	Antique Brass (F73)	Brushed Chrome (F41)	Polished Chrome (F49)	Oil-Rubbed Brass (F79)	Pure White (F9010)	Matte Black (F9714)	Satin Nickel (F42)	Rustic Umber (F8709)	Dark Bronze Metallic (F82)
M5 X 50 mm	2204867	8751919	2109827	8751907	8751927	8751903	8752183	2109827	8751927	2109691
M5 x 55 mm	2231443	8751943	2231460	8751931	8751959	8751947	8752187	2231460	8751959	2231451
M5 x 60 mm	2303208	8752167	2109763	8752171	8752175	8752179	8752191	2109763	8752175	2445919
M5 x 65 mm	2253511	8751967	2253503		8751983	8751971	2253600	2253503	8751983	2260640
M5 x 70 mm	2445871		2445898			8751995	8752003	2445898		
M5 x 75 mm	3377786		3377807		3377840			3377807	3377840	3648603
M5 x 80 mm		8752563	8752567		8752579	8752575	8752571	8752567	8752579	

To figure backplate screws: Use thickness of the door plus thickness of interior backplate to calculate the screw length.



Handle Set Screw

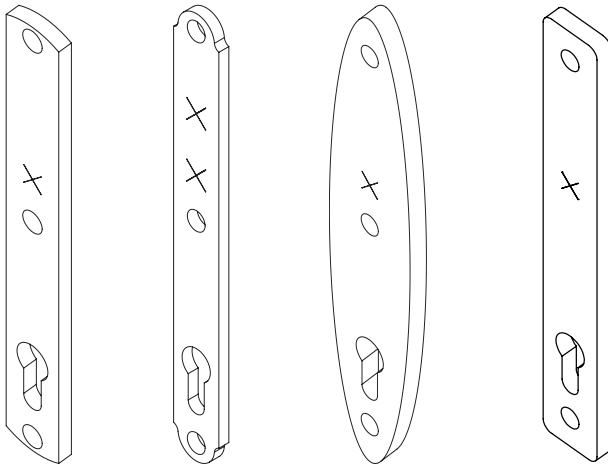
Description	Part Number
Stainless Steel (F69)	2294874



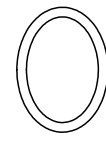
Cylinder Screw

Description	Size	Stainless Steel
35mm & 45mm Backset	M5X50	8773863
60mm & 70mm Backset	M5X75	2406936

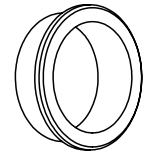
Replacement Parts



M216N M374N M3955 & M3965N M2161N



O-Ring



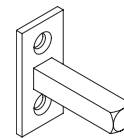
Bushing

Backplate Bushing

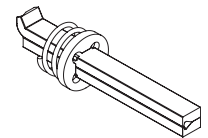
Description	Clear	Gold	Gray
Standard	649798	386060	1975619
Buna Bushings includes O-Rings	3851396		N/A

Backplate Gaskets

Description	Part Number
M374N Backplate	8781683
M216N Backplate	8781675
M3955N Backplate	2408595
M3965N Backplate	2408595
M2161N Backplate	10715093



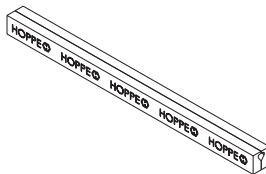
8750331



515073

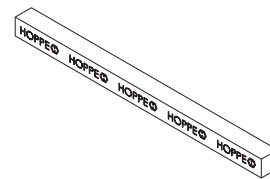
Specialty Shafts

Description	Part Number
Fixing Shaft for Fixed Dummy Handles	8750331
8mm x 70mm 1/2 Shaft for One Side Only Handle Sets	515073



8mm Door Split Handle Profile Spindle

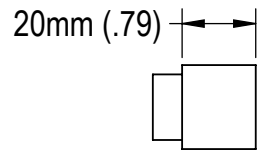
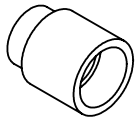
Size	Part Number
95mm	665556
100mm	517572
110mm	517596
120mm	517565
140mm	517589
160mm	519200



8mm Door Solid Handle Profile Spindle for Dallas and Atlanta Handles

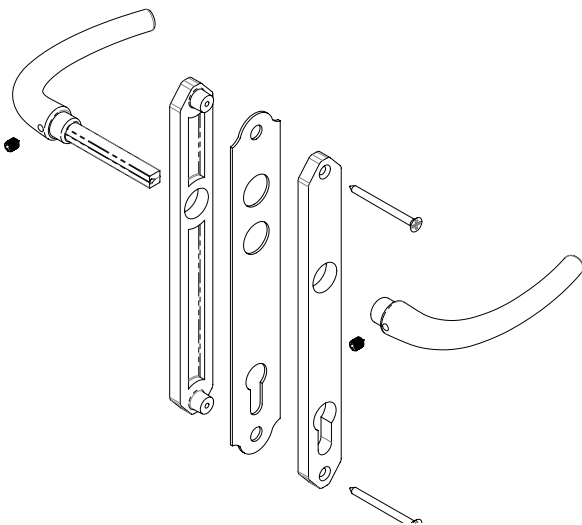
Size	Part Number
110mm	519163
120mm	519170
130mm	519187
140mm	519194

Accessories

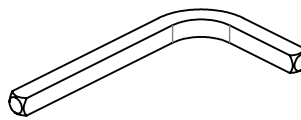


Handle Extension for Active and Inactive Sets

Brass Resista® (F77-R)	Antique Brass (F73)	Brushed Chrome Resista® (F41-R)	Oil-Rubbed Brass (F79)	Pure White (F9010)	Matte Black (F9714)	Satin Nickel Resista® (F42-R)	Rustic Umber (F8709)
2076412	550593	1704528	8777939	638185	1704536	2903991	2190258

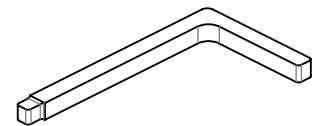


Description	Part Number
Construction Door Set	2604801
Construction Door Set with Construction Key	2605353



Metal Construction Handle

Part Number
2426890



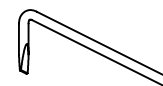
Plastic Construction Handle

Part Number
2274355



Hex Wrench

Description	Part Number
3mm Hex Wrench	8773799



Quick Connect Tool

Description	Part Number
Quick Connect Tool	7192488

Swing Door Handle Set Installation Instructions

A Phillips screwdriver is required.

A Hex wrench for set screws is provided in the hardware package.

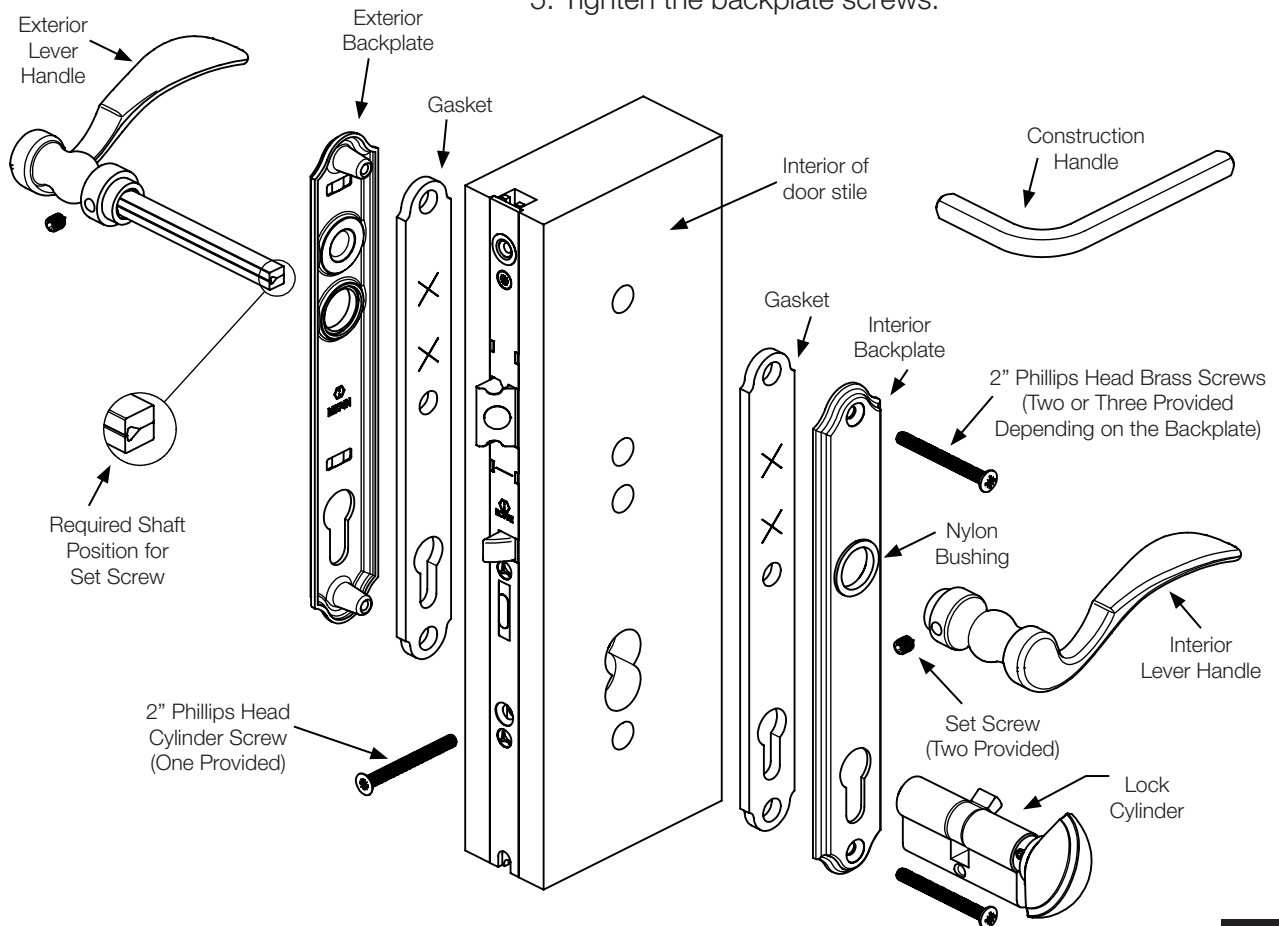
To prevent damage to the handle set while in construction phase, use the enclosed construction handle to operate the door. Lift handle to engage multipoint while in the closed position. Push down on handle to open the door.

Use water and a soft cloth to clean. Do not use brass cleaner as it will remove the protective coating.

Note:

Handles and backplates vary by style but application is the same.

1. Apply the backplate gasket to the inside of the exterior back-plate. Push gasket firmly onto place to ensure a tight seal. Apply the backplate gasket to the inside of the interior back-plate. Apply interior and exterior backplates and fasten loosely with the two screws provided. Note: The screw heads must be on the interior side of the door.
2. Insert the two-piece handle shaft into the handle. Be sure to orient the shaft as shown below. Screw the setscrew until flush with handle using the hex wrench. Insert the handle into the latch hole.
3. Install the interior handle on the shaft through the latch hole, pressing tightly to the backplates. Tighten the interior handle set screw with hex wrench. Screw until flush with handle.
4. Insert the keyed cylinder from the interior side of the door until it is flush with the exterior backplate. Install the cylinder screw in the screw hole below the deadbolt in the edge of the door.
5. Tighten the backplate screws.



Handle Set Installation

HLS®9000 Quick-Fit Handle Set Installation Instructions

A Phillips screwdriver is required.

A Quick-Fit Connection release tool (for removing handles if necessary), is provided in the hardware package.

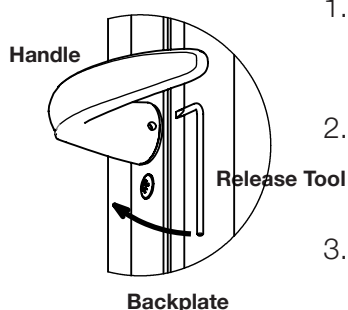
Use water and a soft cloth to clean. Do not use brass cleaner or solvent-based cleaning agents, as they will damage the protective coating on the hardware.

Note: Handles and backplates vary by style but application is the same.

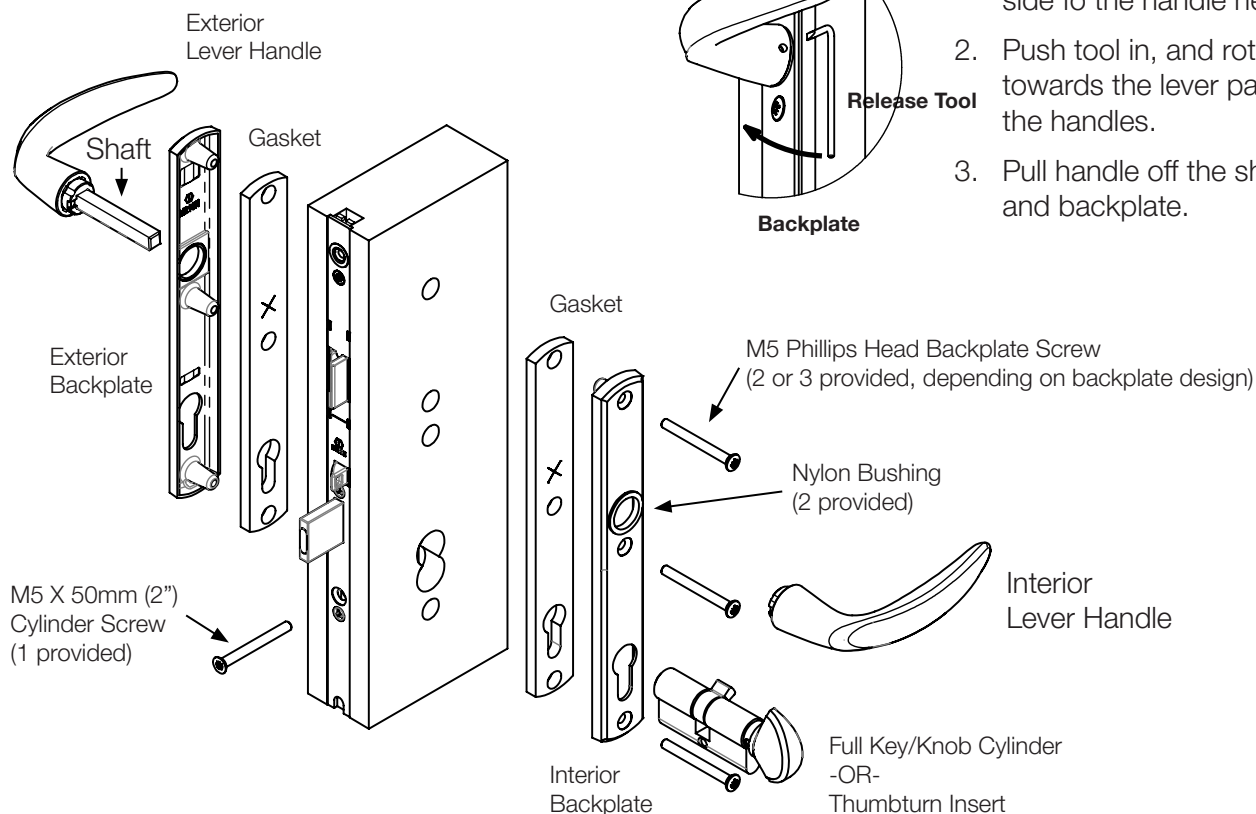
1. Apply the Backplate Gasket to the inside of each Backplate. Push Gaskets firmly into place to ensure a tight seal. Snap a Nylon Bushing into the handle hole of each Backplate.
2. Attach Interior and Exterior Backplates to door and fasten loosely with the M5 Phillips Head Backplate Screws provided. Note: The screw heads must be on the interior side of the door.
3. If the handles are handed, determine which one is the Exterior Handle. Push Shaft into Exterior Handle until it stops.

3. If the handles are handed, determine which one is the Exterior Handle. Push Shaft into Exterior Handle until it stops.
4. Holding Exterior Handle in the proper horizontal position, insert the handle with shaft attached through the Backplate and door gear handle hole, until handle is firmly seated against the Nylon Bushing.
5. While holding Exterior Handle in place, slide Interior Handle onto Shaft and press both handles together until secure and tight to Backplates.
6. Insert the Key/Knob Cylinder or Thumbturn Insert from the interior side of the door until cylinder body is flush with Backplate.
7. Install the Cylinder Screw through the screw hole below the deadbolt in the edge of the door to secure in place.
8. Hand-tighten Backplate Screws. Note: If handles seem loose after tightening Backplates, push handles together again until tight.

To Use The Quick-Fit Connection Release Tool:



1. Place chamfered end of tool into hole on the side of the handle neck.
2. Push tool in, and rotate towards the lever part of the handles.
3. Pull handle off the shaft and backplate.



Handle Set Installation

Fixed Dummy Installation Instructions

Figure 1

1. Determine handing. Remember handles will be perpendicular to backplate, pointing either to the left or right.
2. Slide handle into backplate so square corners of the handle neck match up with notches in backplate.
3. Insert screw from back side of plate into handle neck and firmly tighten down with the included 6mm hex wrench.

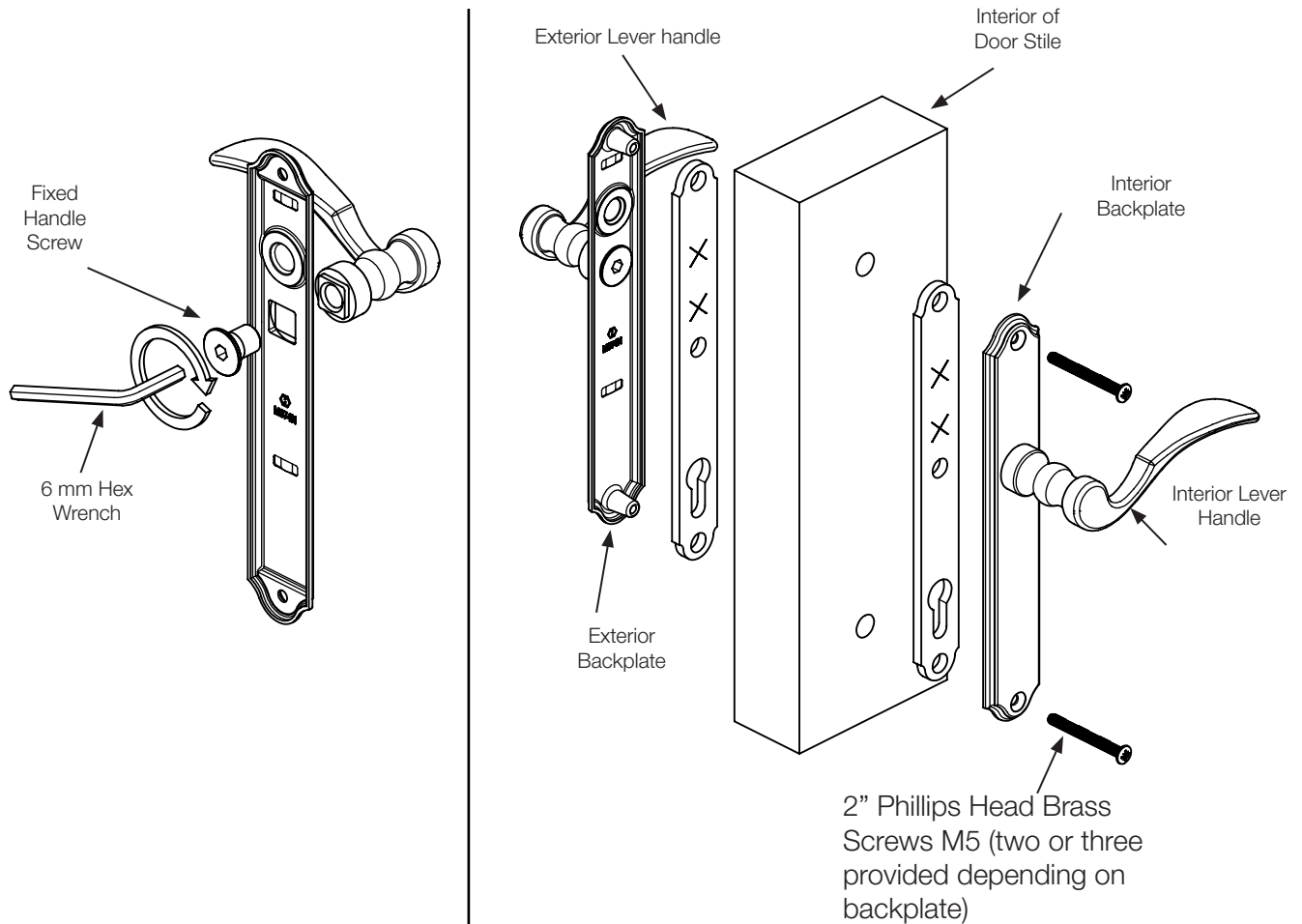
Figure 2

1. For alternative backplate style, drill 1/8" pilot hole, then drill 7/16" hole through door stile to accept backplate screws and lugs. Make sure to drill straight through.
2. Mount handle and backplate assemblies to interior and exterior of door with screws provided.

A 6mm hex wrench is needed for installation

Note:

The inside backplate has through holes and the outside backplate has threaded lugs.



Handle Set Installation

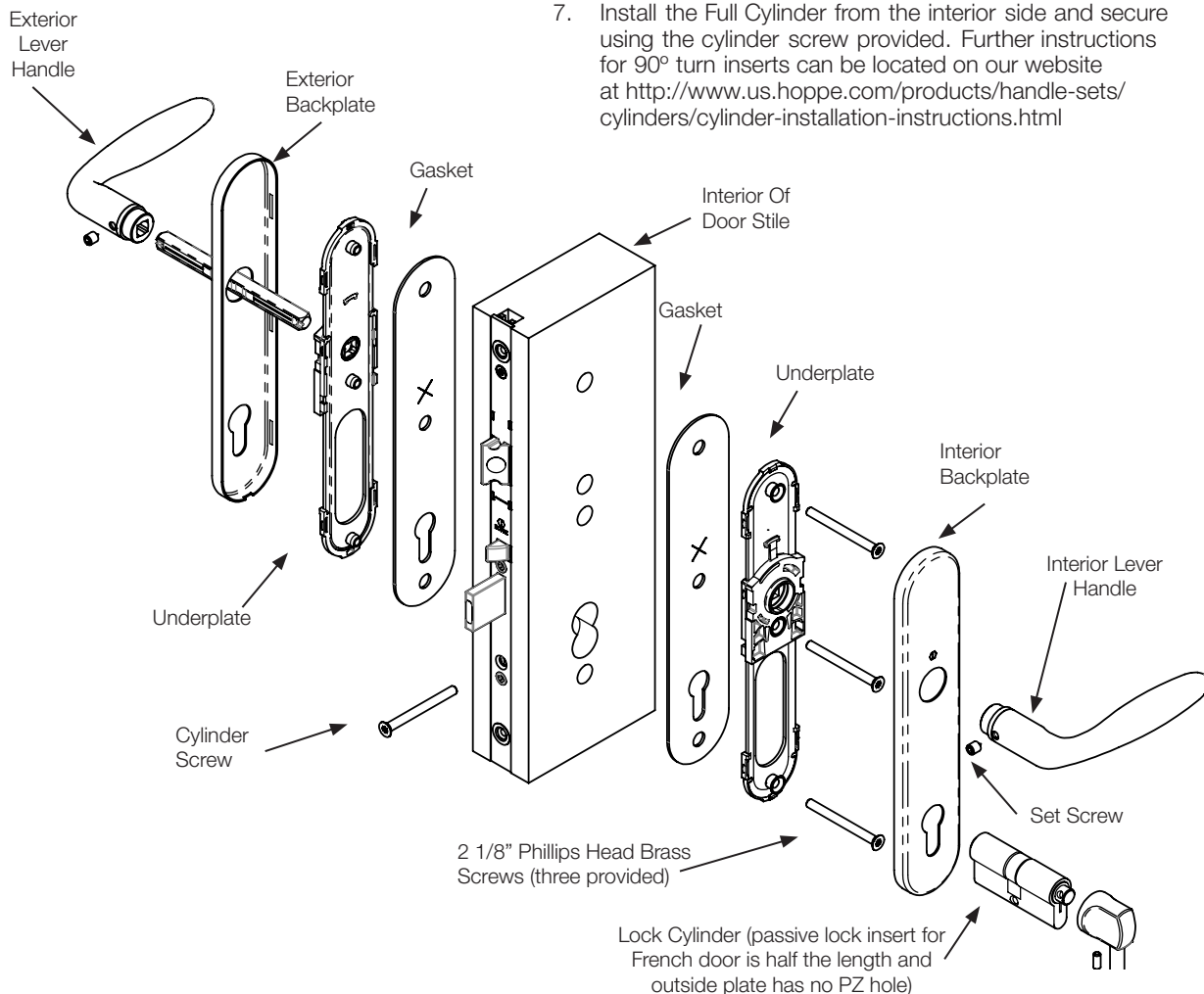
Stainless Steel Lever Set Installation Instructions

A Phillips screwdriver is required.

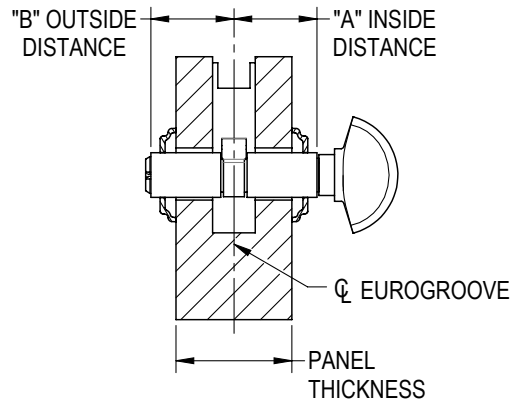
A 3 mm hex wrench for the handle set screw is provided in the hardware package.

A soft, damp cloth is recommended for cleaning. Cleaning products specifically formulated for stainless steel may also be used.

1. Apply gaskets and underplates to door as shown, and fasten loosely with the Phillips head screws provided. **NOTE:** The interior underplate has holes for screws, and the exterior underplate has threaded posts.
2. Firmly press the handle with pinned shaft into the exterior underplate. The shaft should extend through the door gear and out the interior side of the door.
3. Slide remaining handle over the shaft, pressing it tightly into the interior underplate.
4. Tighten the underplate screws.
5. Press the handles together and install with the set screw on the interior side using the hex wrench provided. To ensure proper installation, tighten set screw to 40-50 in-lbs.
NOTE: Thread locker may be used on set screw (Loctite Blue # 242 thread locker).
6. Carefully slide the stainless steel cover plates over the handles and snap them onto the underplates. **IMPORTANT:** For Inactive Sets, a cover plate with a Thumbturn/Cylinder hole must be installed on the interior side of the door.
7. Install the Full Cylinder from the interior side and secure using the cylinder screw provided. Further instructions for 90° turn inserts can be located on our website at <http://www.us.hoppe.com/products/handle-sets/cylinders/cylinder-installation-instructions.html>



Full Cylinders



90 Degree Crescent Knob Keyed Cylinder

For 1-3/4" doors or 2-1/2" thick doors

Inside Distance A	Outside Distance B	Typical Panel Thickness (Inches)	Antique Brass (F73)	White (F9010)	Matte Black (F9714)	Rustic Umber (F8709)	Oil-Rubbed Brass (F79)
31.5	31.5	1-3/4"	3141933	3141976	3141984	3141968	3141941
40.5	40.5	2-1/4"	3745956	3745948	3738545	3637154	3637138

Backplate	Thickness
216N	8mm
374N	6mm
3955N	8mm
3965N	8mm
2161N	8mm

Inside Distance A	Outside Distance B	Typical Panel Thickness (Inches)	Brass Resista® (F77-R)	Polished Chrome Resista® (F49-R)	Brushed Chrome Resista® (F41-R)	Satin Nickel Resista® (F42-R)
31.5	31.5	1-3/4"	3142637	3141925	3141909	3141917
40.5	40.5	2-1/4"	3637120	N/A	3637111	3637146

CYLINDER SIZING

Select cylinder size by "Inside Distance A" and "Outside Distance B" according to door thickness, Eurogroove location and the style of backplate used.

(-R = Resista® finish)

For 2-1/8" to 3" doors

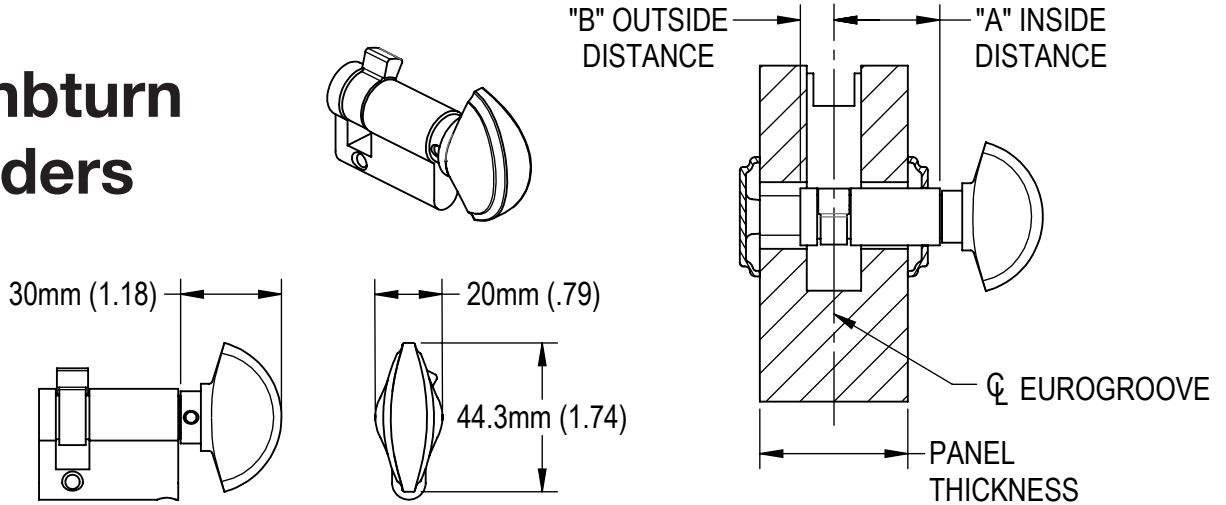
Inside Distance A	Outside Distance B	Typical Panel Thickness (Inches)	Brass Resista® (F77-R)	Brushed Chrome Resista® (F41-R)	Satin Nickel Resista® (F42-R)	Rustic Umber (F8709)	Oil-Rubbed Brass (F79)
35.5	35.5	2-1/8"	3636979	3636961	3636995	3637007	3636987
31.5	45.5	2-1/4"	3636928	3967719	3636944	3636952	3636936
45.5	31.5	2-1/4"	3637162	3967727	3637189	3637197	3637171
35.5	45.5	2-1/2"	3637023	3637015	3637040	3637058	3637031
40.5	40.5	2-1/2"	3637120	3637111	3637146	3637154	3637138
45.5	35.5	2-1/2"	3637200	N/A	3637226	3637234	3637218
31.5	60.5	3"	3442357	3651319	3442402	3584072	3442411
35.5	55.5	3"	3637074	3637066	3637091	3637103	3637082
45.5	45.5	3"	3637242	N/A	3637269	3637277	3637251
60.5	31.5	3"	3442429	3651301	3442470	3570367	3442488

(-R = Resista® finish)

Note: Additional sizes and finishes may be available. Minimum purchase quantities may apply. Cylinders can be converted to 360 turn. See www.us.hoppe.com for details.

Cylinders

Thumbturn Cylinders



90 Degree Crescent Knob Half Cylinder

For 1-3/4" or 2-1/2" thick doors

Inside Distance A	Outside Distance B	Typical Panel Thickness (Inches)	Antique Brass (F73)	White (F9010)	Matte Black (F9714)	Rustic Umber (F8709)	Oil Rubbed Brass (F79)
31.5	10	1-3/4"	3141853	3141888	3141896	3141870	3141861
40.5	10	2-1/2"	3745972	3745964	3738553	3637373	3637357

Backplate	Thickness
216N	8mm
374N	6mm
3955N	8mm
3965N	8mm
2161N	8mm

Inside Distance A	Outside Distance B	Typical Panel Thickness (Inches)	Brass Resista® (F77-R)	Polished Chrome Resista® (F49-R)	Brushed Chrome Resista® (F41-R)	Satin Nickel Resista® (F42-R)
31.5	10	1-3/4"	3142611	3141845	3141829	3141837
40.5	10	2-1/2"	3637349	N/A	3637331	3637365

CYLINDER SIZING

Select cylinder size by "Inside Distance A" and "Outside Distance B" according to door thickness, Eurogroove location and the style of backplate used.

(-R = Resista® finish)

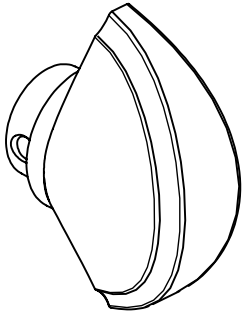
For 2-1/8" or thicker doors

Inside Distance A	Outside Distance B	Typical Panel Thickness (Inches)	Brass Resista® (F77-R)	Brushed Chrome Resista® (F41-R)	Satin Nickel Resista® (F42-R)	Rustic Umber (F8709)	Oil-Rubbed Brass (F79)
35.5	10	2-1/8"	3637293	3637285	3637314	3637322	3637306
40.5	10	2-1/2"	3637349	3637331	3637365	3637373	3637357
45.5	10	3"	3637381	N/A	3637402	3637411	3637390
60.5	10	3"	3442496	3651298	3442541	3650551	3442550

(-R = Resista® finish)

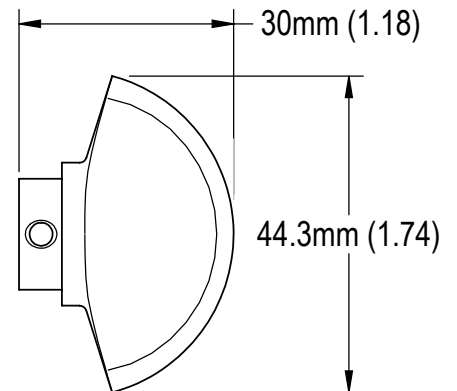
Note: Additional sizes and finishes may be available. Minimum purchase quantities may apply. Cylinders can be converted to 360 turn. See www.us.hoppe.com for details.

Crescent Knobs

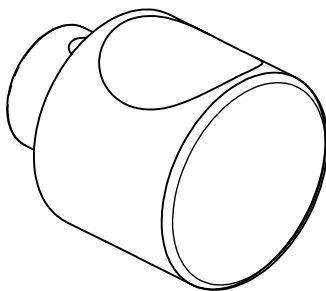


Antique Brass (F73)	White (F9010)	Matte Black (F9714)	Rustic Umber (F8709)	Oil-Rubbed Brass (F79)
3643335	3400202	3524707	3524715	3524686

Brass Resista® (F77-R)	Polished Chrome Resista® (F49-R)	Brushed Chrome Resista® (F41-R)	Satin Nickel Resista® (F42-R)
3643327	3643343	3524660	3524678

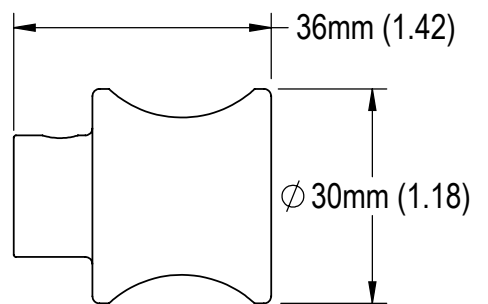


H Knobs

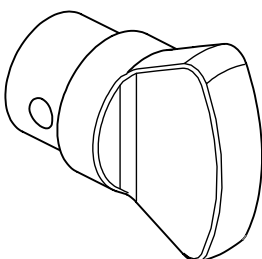


Antique Brass (F73)	White (F9010)	Matte Black (F9714)	Rustic Umber (F8709)	Oil-Rubbed Brass (F79)
3643360	3643423	3643431	3643440	3643407

Brass Resista® (F77-R)	Polished Chrome Resista® (F49-R)	Brushed Chrome Resista® (F41-R)	Satin Nickel Resista® (F42-R)
3643351	3643386	3643378	3643394

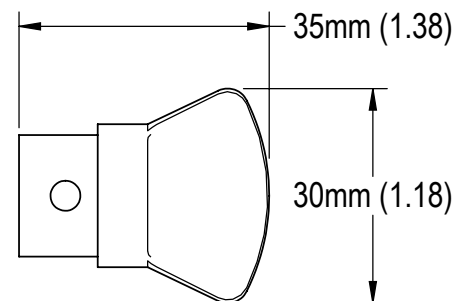


V Knobs



Antique Brass (F73)	White (F9010)	Matte Black (F9714)	Rustic Umber (F8709)	Oil-Rubbed Brass (F79)
11699802	11699845	11699759	11699784	11699760

Brass Resista® (F77-R)	Polished Chrome Resista® (F49-R)	Brushed Chrome Resista® (F41-R)	Satin Nickel Resista® (F42-R)
11699796	11699826	11699814	11699772



Installation Instructions 90-Degree Turn Cylinder

Tools required:

- Phillips head screw driver
- Hex wrench (provided)
- Ring wrench (provided)
- Pliers (recommended)

Installation:

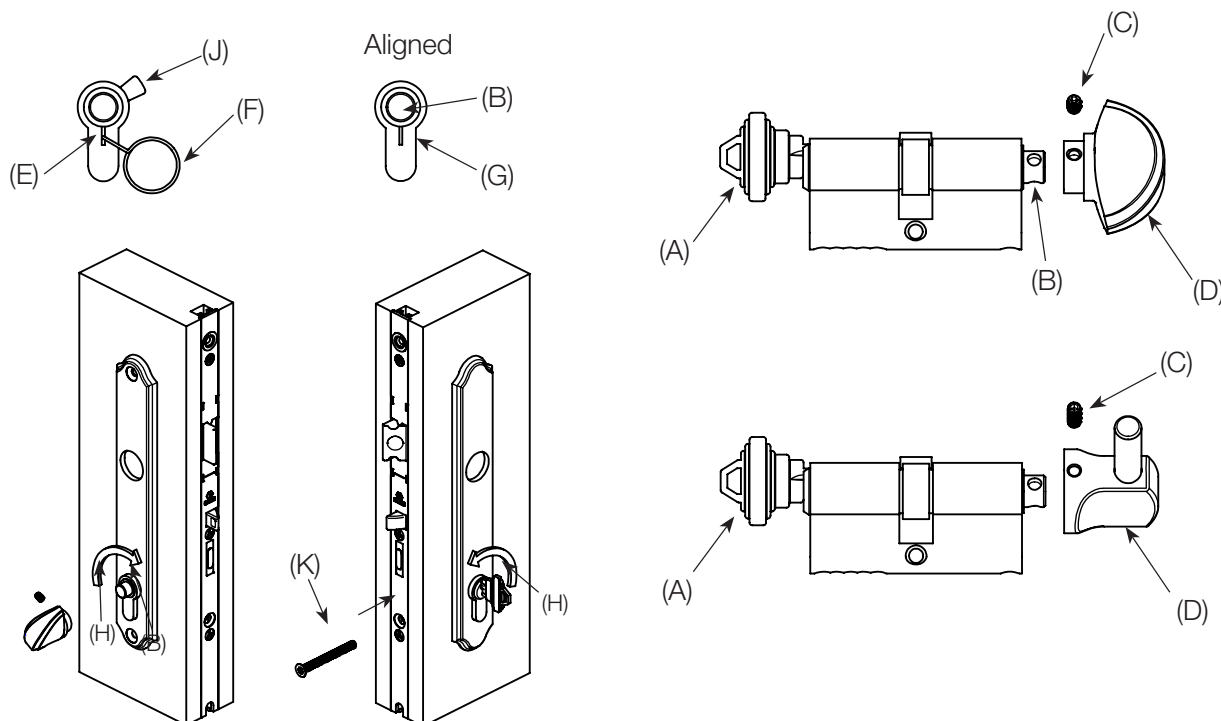
- Loosen set screw (C) on knob (D) using the hex wrench provided. Knob designs may vary from design shown. **You may not need to remove the knob to install the cylinder in the door.**
- Remove knob (D) from body of cylinder (B).
- Align drive tab (J) with the cylinder body to install the cylinder into the lock as shown by (G). If the drive tab (J) cannot be rotated to this position, push the pin (E) down with the ring wrench (F) to disengage the stops and turn the cylinder shaft (B) until the drive tab (J) is aligned with the cylinder as shown by (G).
- Holding in this position, insert the cylinder body into the lock so the drive tab (J) is inside of the lock.
- Rotate the shaft (B) (use pliers if necessary) such that the top of the shaft (B) moves toward the edge of the door or insert the key (A) into the cylinder and rotate such that the top of the key (A) moves towards the edge of the door (H). The shaft or key will rotate freely and will stop after approximately 120°. Do not force rotation. The dead bolt should not extend (dead bolt will extend on single point gear). Confirm that one of the two set screw openings is positioned on the bottom of the shaft (B).

Warning: If the shaft (B) or key (A) is rotated the wrong direction, the cylinder will lock after approximately 120° and cannot be rotated in either direction. If this happens, push the pin (E) down with the ring wrench (F) included to disengage the stops and turn the shaft (B) or key (A) in the opposite direction until the dead bolt extends.

- Fix knob (D) on shaft (B) as shown.
- Tighten set screw (C). Install cylinder screw (K) as shown.

Removal:

- Loosen and remove cylinder screw (K) and repeat steps 1-4 above.



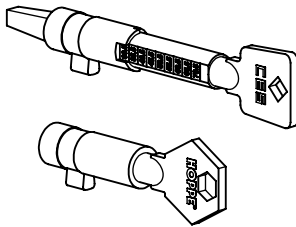
Rekey Kit



Description	Part Number
Rekeying Kit for cylinders Contains: 1-9 top pins, 3 different springs, 2-9 Master pins, 0-4 bottom pins	3459001

Description	Part Number
Pin 0 Schlage Pkg / Pkg of 100	3459010
Pin 1 Schlage Pkg / Pkg of 100	3459028
Pin 2 Schlage Pkg / Pkg of 100	3459036
Pin 3 Schlage Pkg / Pkg of 100	3459044
Pin 4 Schlage Pkg / Pkg of 100	3459061
Pin 5 Schlage Pkg / Pkg of 100	3459079
Pin 6 Schlage Pkg / Pkg of 100	3459087
Pin 7 Schlage Pkg / Pkg of 100	3459095
Pin 8 Schlage Pkg / Pkg of 100	3459108
Pin 9 Schlage Pkg / Pkg of 100	3459116

Description	Part Number
Cylinder pack - Used to change cylinder from 360° back to 90°	3459001



Construction Keys

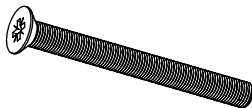
Description	Part Number
Long Version (Blue)	8750635
Short Version (Black)	2667482

Set Screw for Thumbturn



Description	Part Number
Set Screw (M4 x 6 mm) Used for H knobs and Crescent knobs	3475773
Set Screw (M4 x 5 mm) Used for E, L and V knobs	3762318

Cylinder Screw



Description	Part Number
For 35 or 45mm backset	8773863
For 60 or 70mm backset	2406936

Screw for Pins for Rekeying No Logo Cylinder

Description	Part Number
Set Screw (M4 x 6 mm)	3475773

Sales Tools



Handle Display Board

Description
Display boards are available in any handle series

Description	Part Number
10 Finishes F77-R, F73 F41-R, F42-R, F49-R, F9010, F9714, F79, F82, F8709	2216729

For more details on obtaining sales tools above, contract your local representative.

Active Door Set

Handle set used on the active panel. This set will always have two cylinder holes in the backplates to accept a full cylinder.

Backplate

Decorative plate which mounts to the face of the door with holes to accept the handle and cylinder.

Backplate Screw

Screws that attach one backplate to the other. The screws enter through screw holes on the interior plate, travel through the door and attach directly to the exterior plate. Available in a variety of lengths to accommodate different door thicknesses.

Backset

Distance from the surface of the lock faceplate to the center of the handle hole. This distance establishes where the handle will be mounted to the face of the door. The HLS9000 multipoint system uses a 35mm (1 3/8") or a standard 45mm (1 3/4") backset. Deeper backsets are available for 60mm (2.375) and 70mm (2.75).

Cylinder

The unit that mounts lengthwise through the door thickness and backplate. The thumb turn knob and key activate a cam which locks the deadbolt.

Cylinder Screw

Screw used to tighten cylinder into place. The screw enters through the faceplate and drive rail on the edge of the door and tightens into a threaded hole in the side of the cylinder.

Fixed Dummy

Handle set is usually "fixed" in place. Handles serve only as pull handles and do not operate. Usually used on inactive panels where a mortise flush bolt has been used. These sets have no cylinder holes in either backplate

Handle Set

Kit which includes handles, backplates, and screws and may also include a cylinder

Inactive Door Set

Handle set used on the inactive panel. This set will have a cylinder hole on the inside plate only to accept a half cylinder. You may also use an active set on an inactive panel.

Inactive Hardware

Hardware used on the inactive panel, no latch or deadbolt.

LH

Left Hand is the standard abbreviation for left handed. See door handing chart on page 8.

Powder Coating

Type of finishing process in which parts are powder sprayed in a spray booth and then baked to cure the finish.

PZ

Refers to the distance from the center of the handle hole to the center of the cylinder hole. HLS swing door standard is PZ 92mm.

RH

Right Hand is the standard abbreviation for right handed. See door handing chart on page 8

Set Screw

Small screw located on the neck of the handle which is used to tighten handle into the spindle.

Spindle

One or two-piece metal shaft used to mount the handles to the door. The two-piece has a groove that accepts the set screw in the handle. Available in different lengths to accommodate a variety of door thicknesses.

UG

This term is used to refer to "no cylinder hole" on a backplate.



HOPPE North America, Inc.
205 E. Blackhawk Drive
Fort Atkinson, WI
USA 53538-1268
Phone: 920-563-2626
Fax: 920-563-4408

1-888-485-4885
info.us@hoppe.com

