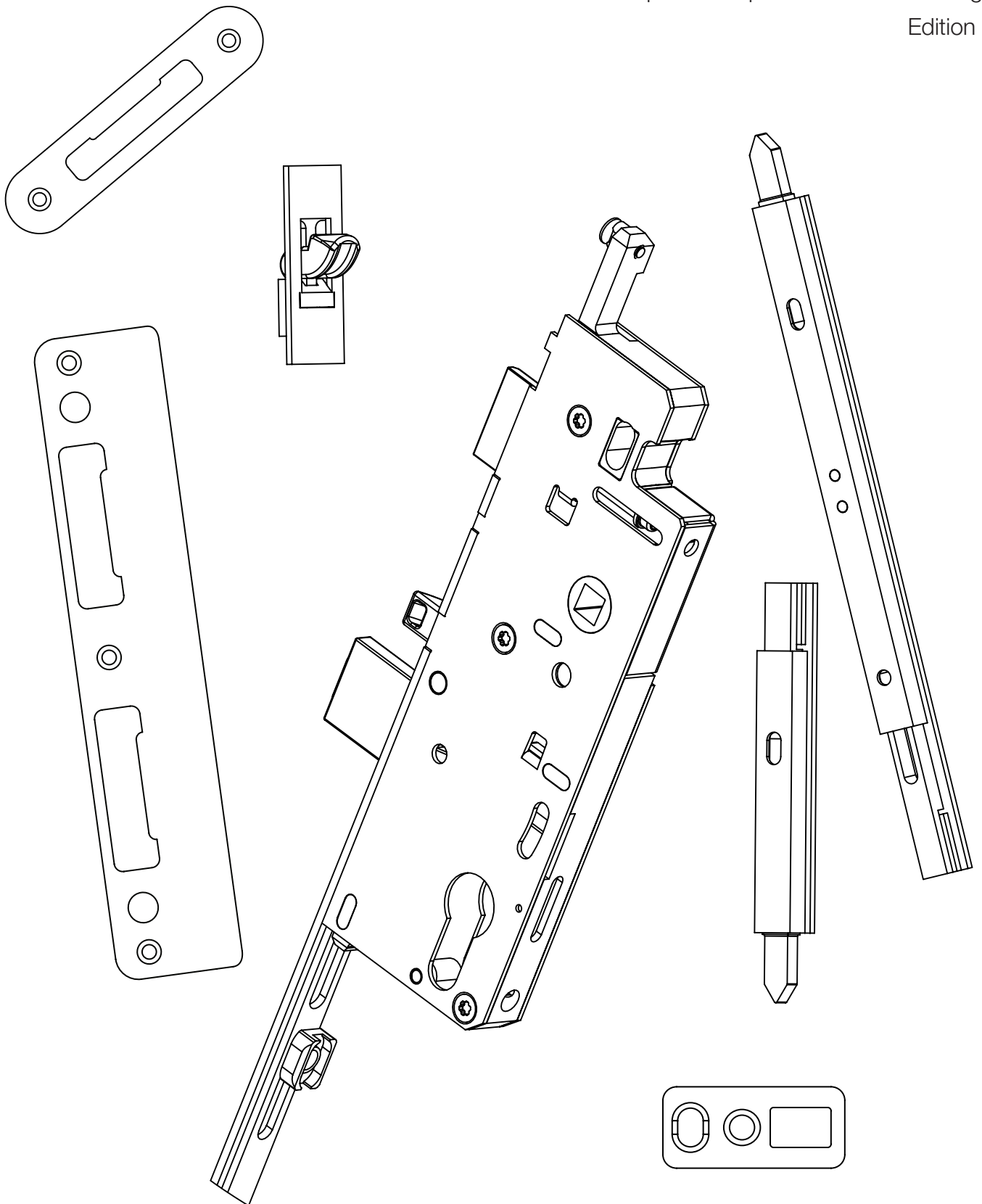


HLS®One
The Complete Multipoint Hardware Package
Edition 5



Features & Benefits

The Hardware

1. Manufactured from Stainless Steel for the highest level of corrosion resistance
2. Multiple locking points hold the door tight against weather seals preventing unwanted drafts
3. Stainless Steel strike plates in the most versatile styles for easier placement and installation
4. Self-lubricating parts for lasting durability with less maintenance
5. Full-size screw supports prevent the gear from flexing and bending ensuring a lifetime of performance and smooth operation
6. Field reversible latch and mishandling device allow for simple installation
7. Trimmable extensions ensure a perfect fit for any door size
8. A simple lift of the lever and turn of the thumbturn is all it takes to fully engage all locking points quickly and securely

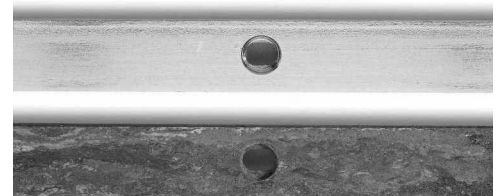
The HLS™One

- There's no guesswork about what to order because we have already pre-selected the most popular and highest quality components for you.
- All fasteners needed for installing hardware and strikes are included in the package.
- Installation and adjustment instructions are included in every package.
- Add a HOPPE trim set and adjustable hinges and you have a convenient, single-source solution to add value to your door.
- Manufactured right here in the United States!

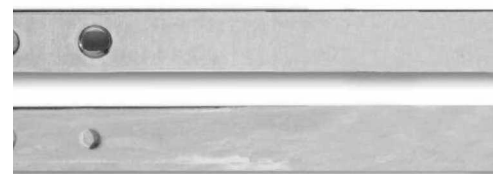


Before & After:

500 Hours Salt Spray
Yellow Zinc Dichromate



3000 Hours Salt Spray
Stainless Steel



Question:

What is 'HLS™One'?

Isn't multipoint hardware complicated and high maintenance?

Is it difficult to install?

Are all of the necessary strikes and screws included?

Is there a minimum purchase quantity?

What is the lead time?

What is the warranty?

Can I return individual parts or will I have to return the whole system?

Can I select the products that I want included in my kit?

What do I do for a custom door size?

What is the finish of the hardware in the packs?

Can I get strikes to match the finish of my handle set?

What type of handles are available for use with this hardware?

Can you provide hinges as well?

Answer:

HLS™One is a complete hardware solution in a box. It is a multipoint locking system that is pre-configured and specially packaged to add greater value and convenience.

Not at all. When installed and used properly, multipoint hardware is simple to operate and requires very little maintenance. The additional locking points will improve door performance and add value.

Installation is easy with a properly prepared sash and frame. Installation instructions are provided in every HLS™One.

Yes, all strike plates and screws for installation are included in the hardware package.

No, a minimum purchase is not required.

The target is two weeks, but lead times may vary.

HOPPE's HLS™ Multipoint Hardware is backed by a limited lifetime mechanical and finish warranty.

Single parts can be returned for warranty purposes only. Restocking fees apply for other accepted returns.

For your convenience, we've already determined the most popular products and sizes and selected those for our packs. The balance of our products are available for purchase as individual components only.

We recommend the universal packs. See page 4 for pack numbers.

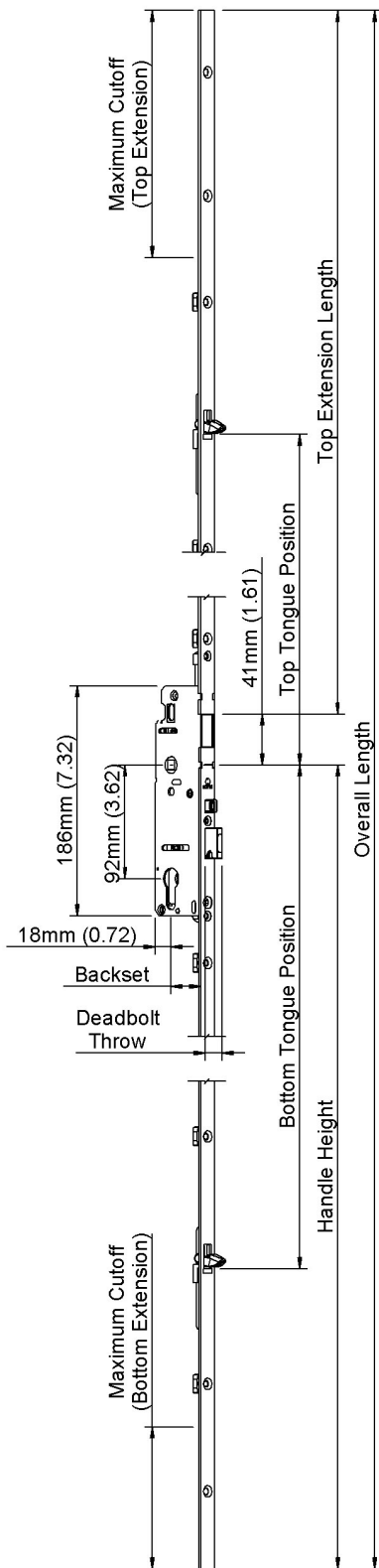
To ensure the highest level of corrosion protection and durability, HOPPE only offers the HLS™One with Stainless Steel components.

Some strikes may be available in additional finishes for purchase separately. Please contact your HOPPE Sales Representative.

Any of our HLS™9000 swing door handle sets may be used with this hardware. Refer to pages 14 - 17 for our most popular styles, or visit www.us.hoppe.com for the full offering.

Yes, we recommend adjustable hinges for optimum door performance. Our adjustable hinges are available in finishes to match our handle sets and can also be seen online at www.us.hoppe.com.

3-Point Manual Tongue System



HLS™ One for 1.75" (45 mm) Door Thickness & 36" (914mm) Handle Height

Door Size*	Backset	Single Door Pack	French Door Pack
6'8"	1.75" (45 mm)	3210661	3210741
	2.38" (60 mm)	3123305	3133706
7'0"	1.75" (45 mm)	3210661	3270866
	2.38" (60 mm)	3123305	3270874
8'0"	1.75" (45 mm)	3210716	3210759
	2.38" (60 mm)	3123356	3133714
Universal	1.75" (45 mm)		N/A
	2.38" (60 mm)	3222477	

* Multipoint Extensions are trimmable and will fit a range of door sizes. Refer to Page 7 for a chart of actual door sizes.

For 2.25" (57 mm) Door Thickness

Order the appropriate Pack(s) from the chart above, and ADD (1) Latch & Deadbolt Strike No. 2014027 for each 2.25" (57 mm) thick Active Panel.

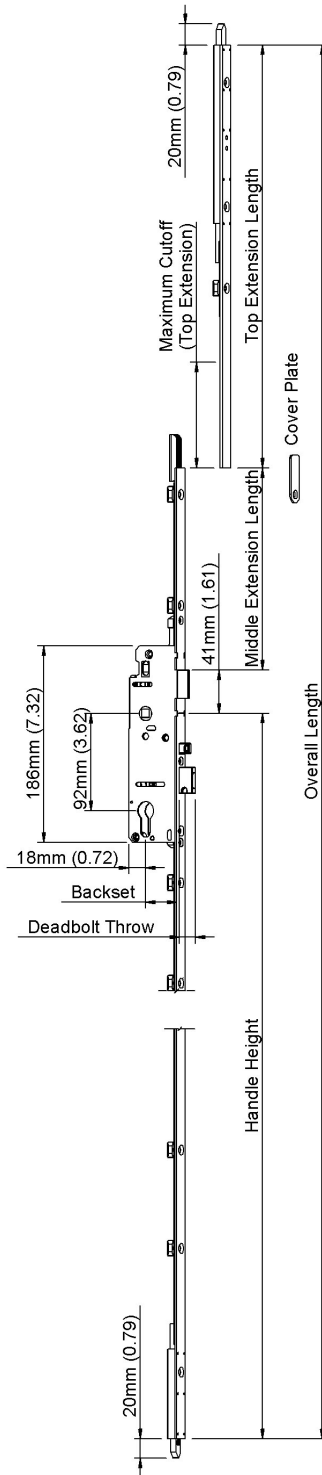
All 3-Point Manual Tongue System Single Door (Active Panel) Packs Include:

- Bottom Gear with selected backset, and 36" handle height.
- Top Tongue Extension for selected panel height.
- Latch and Deadbolt Strike with curved lip in Stainless Steel.
- Tongue Strikes in Stainless Steel.
- Dust Caps for Strike Plates.
- Stainless Steel Installation Screws.
- Installation Instructions.

All 3-Point Manual Tongue System French Door (Active and Inactive Panel) Packs include the above components, plus:

- Inactive Panel Bottom Gear with selected backset, and 36" handle height.
- Inactive Panel Top Shootbolt Extension for selected panel height.
- Shootbolt Strikes in Stainless Steel.

HLS™ One for 1.75" (45 mm) Door Thickness & 36" (914mm) Handle Height



Door Size*	Backset	Single Door Pack	French Door Pack
6'8"	1.75" (45 mm)	3686950	3686992
	2.38" (60 mm)		3687055
7'0"	1.75" (45 mm)		3687004
	2.38" (60 mm)	3687039	
8'0"	1.75" (45 mm)	3686984	3687012
	2.38" (60 mm)	3687047	3687071

* Multipoint Extensions are trimmable and will fit a range of door sizes. Refer to Page 7 for a chart of actual door sizes.

For 2.25" (57 mm) Door Thickness

Order the appropriate Pack(s) from the chart above, and ADD (1) Latch & Deadbolt Strike No. 2014027 for each 2.25" (57 mm) thick Active Panel.

All 3-Point Manual Shootbolt System Single Door (Active Panel) Packs Include:

- Bottom Gear with selected backset, and 36" handle height.
- Top Shootbolt Extension for selected panel height.
- Latch and Deadbolt Strike with curved lip in Stainless Steel.
- Shootbolt Strikes in Stainless Steel.
- Dust Caps for Strike Plates.
- Stainless Steel Installation Screws.
- Installation Instructions.

All 3-Point Manual Shootbolt System French Door (Active and Inactive Panel) Packs include the above components, plus:

- Inactive Panel Bottom Gear with selected backset, and 36" handle height.
- Inactive Panel Top Shootbolt Extension for selected panel height.
- Additional Shootbolt Strikes in Stainless Steel.

5-Point Manual Tongue/Shootbolt System

HLS™ One for 1.75" (45 mm) Door Thickness & 36" (914mm) Handle Height

Door Size*	Backset	Single Door Pack	French Door Pack
6'8"	1.75" (45 mm)		3210687
	2.38" (60 mm)	3123313	3123321
7'0"	1.75" (45 mm)	3210695	3210708
	2.38" (60 mm)		3123348
8'0"	1.75" (45 mm)	3210724	3210732
	2.38" (60 mm)	3123364	3123372

* Multipoint Extensions are trimmable and will fit a range of door sizes. Refer to Page 8 for a chart of actual door sizes.

For 2.25" (57 mm) Door Thickness

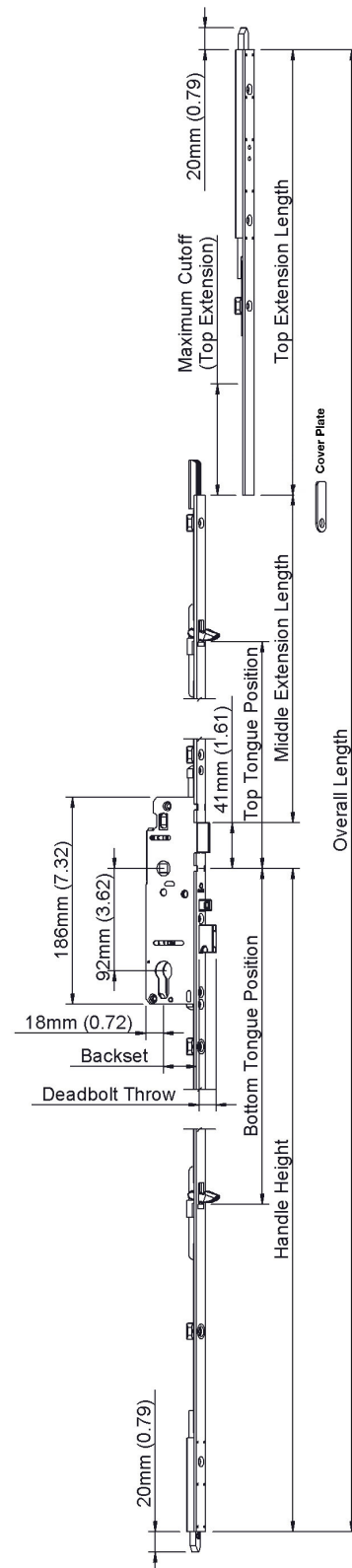
Order the appropriate Pack(s) from the chart above, and ADD (1) Latch & Deadbolt Strike No. 2014027 for each 2.25" (57 mm) thick Active Panel.

All 5-Point Manual Tongue/Shootbolt System Single Door (Active Panel) Packs Include:

- Bottom Gear with selected backset, and 36" handle height standard.
- Top Tongue/Shootbolt Extension for selected panel height.
- Latch and Deadbolt Strike with curved lip in Stainless Steel.
- Tongue Strikes in Stainless Steel.
- Dust Caps for Tongue, Latch & Deadbolt Strikes.
- Shootbolt Strikes in Stainless Steel.
- Stainless Steel Installation Screws.
- Installation Instructions.

All 5-Point Manual Tongue/Shootbolt System French Door (Active and Inactive Panel) Packs include the above components, plus:

- Inactive Panel Bottom Gear with selected backset, and 36" handle height.
- Inactive Panel Top Shootbolt Extension for selected panel height.
- Additional Shootbolt Strikes in Stainless Steel.



3-Point Manual Tongue System

Single Doors

1.75" (45 mm) Door Thickness
36" (914mm) Handle Height

Door Size	Actual Door Size Range	Backset	Pack No.
6'8" & 7'0"	71.06" - 85.63" (1805 mm - 2175 mm)	1.75" (45 mm)	3210661
		2.38" (60 mm)	3123305
8'0"	79.13" - 99.41" (2010 mm - 2525 mm)	1.75" (45 mm)	3210716
		2.38" (60 mm)	3123356

French Doors

1.75" (45 mm) Door Thickness
36" (914mm) Handle Height

Door Size	Actual Door Size Range	Backset	Pack No.
6'8"	78.70" - 82.64" (1999 mm - 2099 mm)	1.75" (45 mm)	3210741
		2.38" (60 mm)	3133706
7'0"	81.65" - 85.59" (2074 mm - 2174 mm)	1.75" (45 mm)	3270866
		2.38" (60 mm)	3270874
8'0"	90.31" - 99.37" (2294 mm - 2524 mm)	1.75" (45 mm)	3210759
		2.38" (60 mm)	3133714

3-Point Manual Shootbolt System

Single Doors

1.75" (45 mm) Door Thickness
36" (914mm) Handle Height

Door Size	Actual Door Size Range	Backset	Pack No.
6'8"	76.61" - 80.55" (1946 mm - 2046 mm)	1.75" (45 mm)	3686950
		2.38" (60 mm)	
7'0"	82.52" - 86.46" (2096 mm - 2196 mm)	1.75" (45 mm)	
		2.38" (60 mm)	3687039
8'0"	94.33" - 98.27" (2396 mm - 2496 mm)	1.75" (45 mm)	3686984
		2.38" (60 mm)	3687047

French Doors

1.75" (45 mm) Door Thickness
36" (914mm) Handle Height

Door Size	Actual Door Size Range	Backset	Pack No.
6'8"	78.70" - 80.55" (1999 mm - 2046 mm)	1.75" (45 mm)	3686992
		2.38" (60 mm)	3687055
7'0"	82.52" - 85.59" (2096 mm - 2174 mm)	1.75" (45 mm)	3687004
		2.38" (60 mm)	
8'0"	94.33" - 98.27" (2396 mm - 2496 mm)	1.75" (45 mm)	3687012
		2.38" (60 mm)	3687071

5-Point Manual Tongue/Shootbolt System

Single Doors

1.75" (45 mm) Door Thickness
 36" (914mm) Handle Height

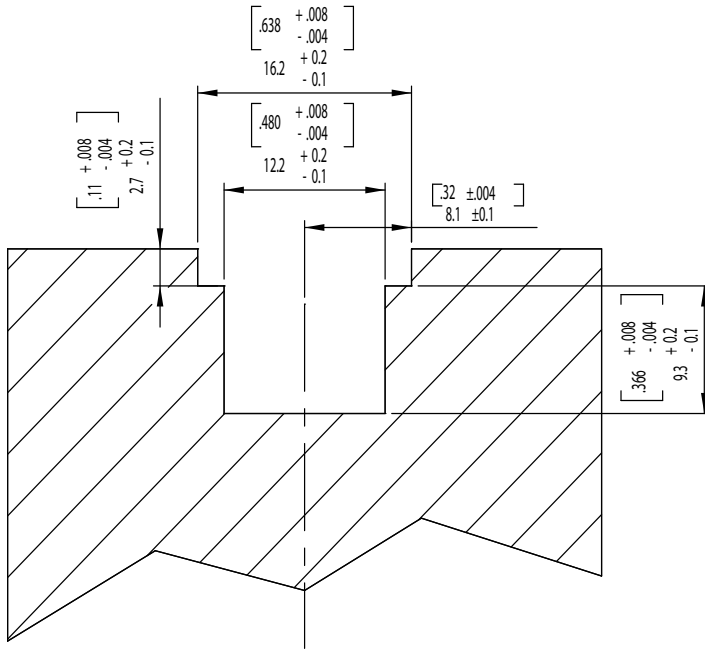
French Doors

1.75" (45 mm) Door Thickness
 36" (914mm) Handle Height

Door Size	Actual Door Size Range	Backset	Pack No.
6'8"	76.61" - 80.55" (1946 mm - 2046 mm)	1.75" (45 mm)	
		2.38" (60 mm)	3123313
7'0"	82.52" - 86.46" (2096 mm - 2196 mm)	1.75" (45 mm)	3210695
		2.38" (60 mm)	
8'0"	94.33" - 98.27" (2396 mm - 2496 mm)	1.75" (45 mm)	3210724
		2.38" (60 mm)	3123364

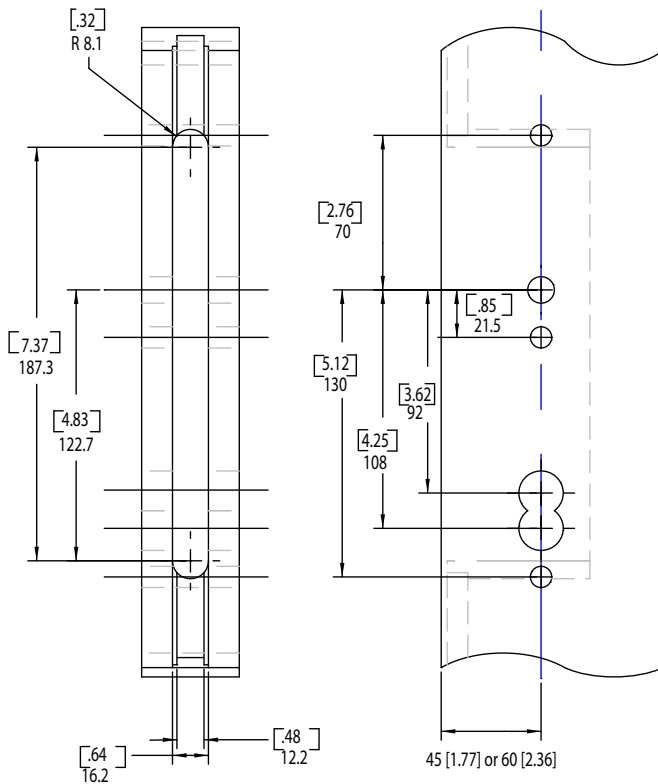
Door Size	Actual Door Size Range	Backset	Pack No.
6'8"	78.70" - 80.55" (1999 mm - 2046 mm)	1.75" (45 mm)	3210687
		2.38" (60 mm)	3123321
7'0"	82.52" - 85.59" (2096 mm - 2174 mm)	1.75" (45 mm)	3210708
		2.38" (60 mm)	3123348
8'0"	94.33" - 98.27" (2396 mm - 2496 mm)	1.75" (45 mm)	3210732
		2.38" (60 mm)	3123372

Wood Eurogroove

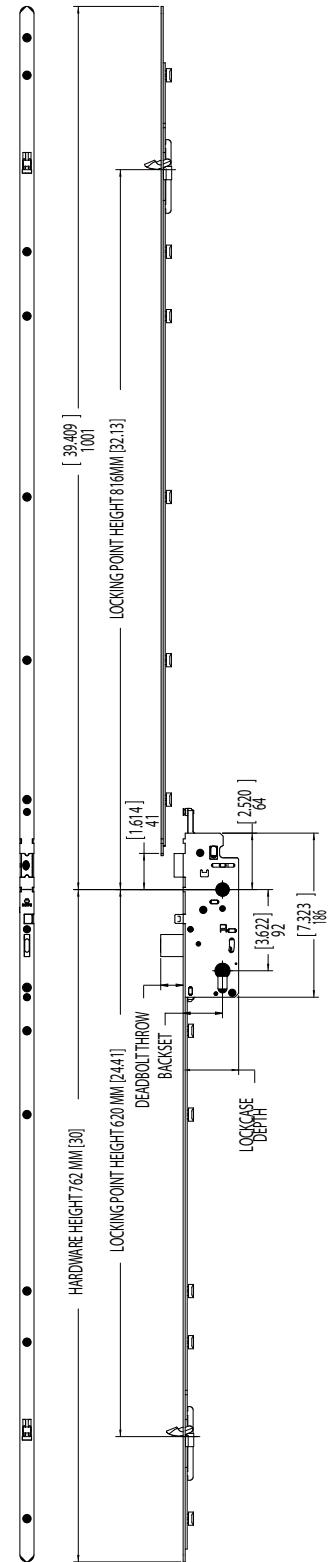


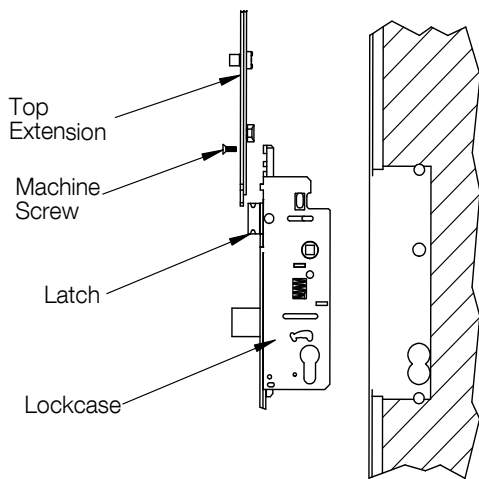
Milling Detail - Lock & Backplate Holes

45 mm (1.75") or 60 mm (2.38") Backsets

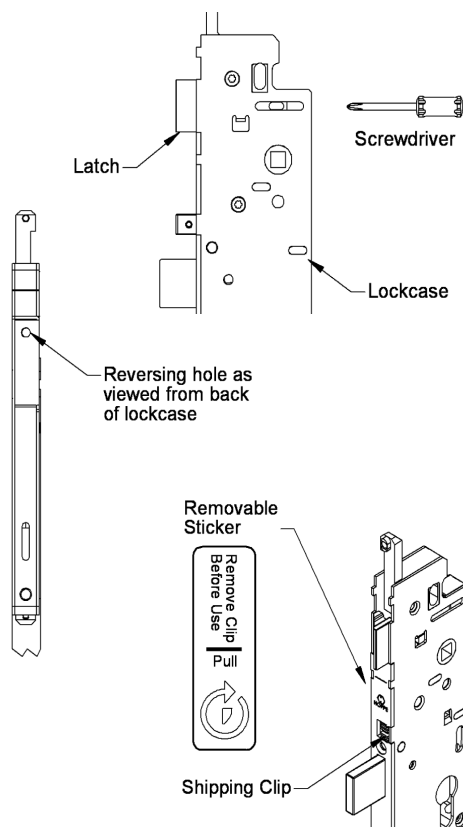


Universal Gear





Note: Main gear and extensions should be hand-tightened only. Excessive force may cause driverail to bind and inhibit system operation.



Active Panel Hardware Installation

1. When the door is in the open position, the bevel on the latch should push the latch into the lockcase when you close the door. If you need to reverse the latch, see the instructions below.
2. Slide main gear into place, aligning holes drilled in door face with cylinder, handle holes and lockcase to properly accommodate trim.
3. Install handle set per instructions included with the set.
4. Remove machine screw in top of lockcase.
5. Slide top extension into place and fasten to lockcase with the supplied machine screws to door edge. The screws should be screwed in flush with the faceplate, but not overtightened.
6. Test gear with the door in the open position. Engage system by lifting handle and note if multipoint system operates on the edge of the door. Extend deadbolt by turning thumbturn. If system is working properly, the locking points on the edge of the door and the deadbolt will extend smoothly and completely. If not working properly, please refer to the Troubleshooting Guide on the website: www.us.hoppe.com.

Reversing the Latch

1. Push small screwdriver or punch into reversing hole and push latch up until latch clears lockcase.
2. Rotate latch 180 ° with hand and release back into lockcase.

Removing the Shipping Clip & Reversing the Mishandling Device

1. Remove sticker covering the shipping clip.
2. Remove shipping clip so that mishandling device is visible and extended.
3. Make sure mishandling device is sloped in the same direction as the latch.
4. If not, pull out mishandling device with hand and rotate it 180 °.
5. Release mishandling device back into lockcase.

Inactive Panel Hardware Installation

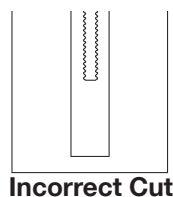
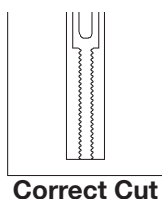
You will need the Construction Handle and Thumbturn Insert that are provided in your HOPPE Handle Set.

We recommend assembly of the inactive gear in the activated (locked) position. To be consistent in the operation and assembly, you should assemble the gear operator as follows:

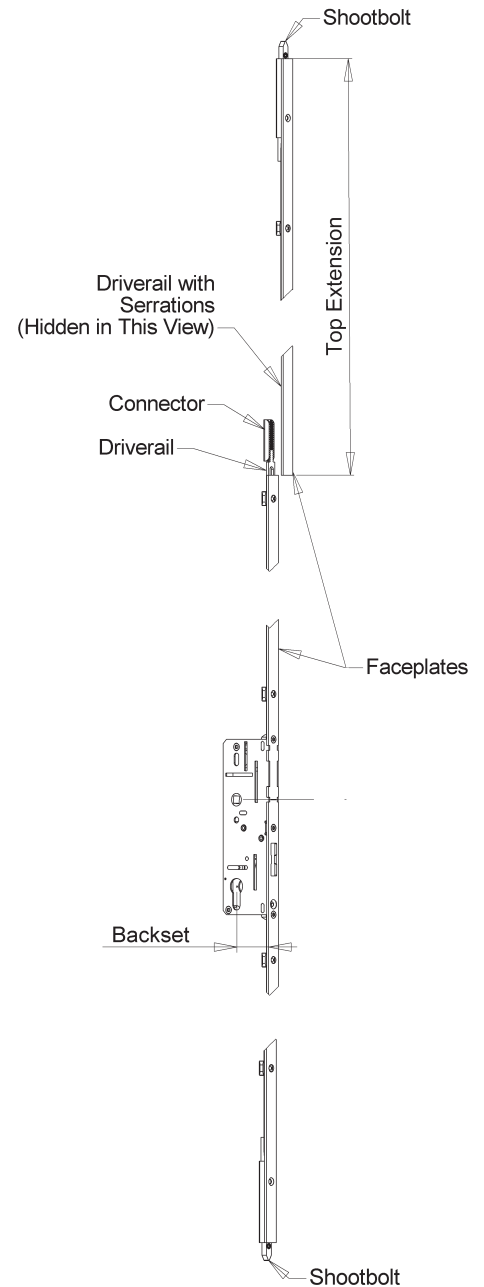
1. Insert the lockcase into the mortise pocket in the edge of the inactive panel. Insert the Construction Handle into the handle hub of the gear and lift up on the handle to force the inactive gear into the engaged position. Insert the Thumbturn Insert and turn to lock. The Thumbturn will spin freely after it hits the locking point.
2. Slide the driverail of the top extension outward to extend the shootbolt. Connect the serrated driverail of the top extension to the connector of the main gear. Make sure the teeth are fully engaged (seated into the connector). The shootbolts should extend 3/4". Screw the top extension to the stile.
3. Finish screwing the inactive system into the stile.
4. Turn the thumbturn insert to unlock. Operate the handle set to retract and extend the shootbolts. The shootbolts should operate freely.
5. For a security test, lift up on the handle to engage the shootbolts. Turn the thumbturn insert to lock them into place. Push down on the handle in an attempt to disengage the shootbolts, if properly installed, the shootbolts should not react while the thumbturn insert is locked.

Cutting Shootbolt Extensions

The faceplate of the shootbolt extension should span from the edge of the extension you are connecting with to the top edge of the door panel. You can cut the extension shorter if you use a connecting plate over the connection (included in the HLS™One). Make sure that you have at least 1-1/4" of serrations left to make a good connection. When cutting the extension, make sure to have the end of the drive rail pulled even with the faceplate.



The Inactive Panel System is included in the French Door Packs listed on pages 6 and 7.



Strikes Plates

Latch & Deadbolt, Tongue and Shootbolt Strike Plates are already included in the HLS™One Packs for 1.75" thick doors (see pages 6 and 7).

Replacement Items

Latch & Deadbolt Strike

1.75"

Stainless Steel, Item No. 8787747

2.25

Stainless Steel, Item No. 2014027

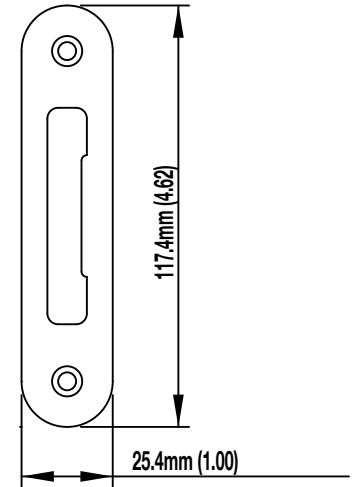
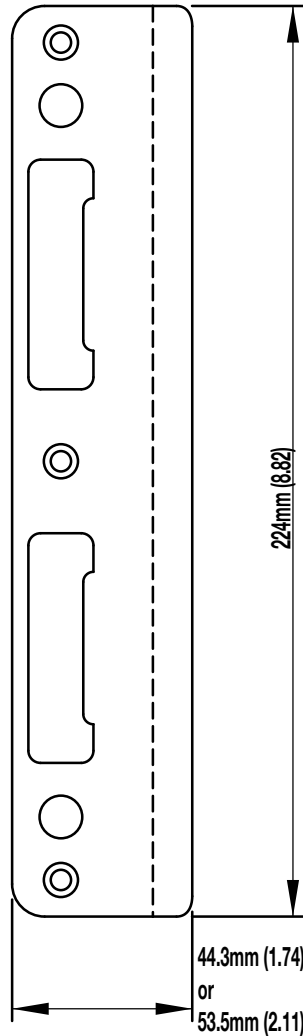
Tongue Strike

Stainless Steel, Item No. 2025199

Shootbolt Strike

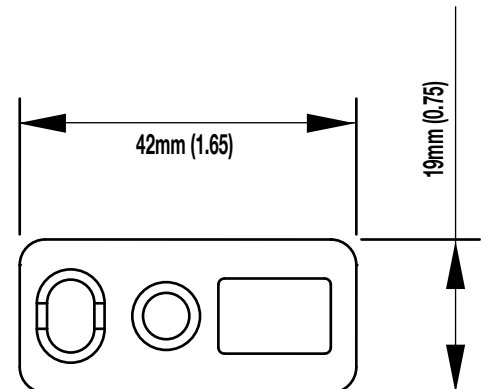
Stainless Steel, Item No. 2098911

Latch & Deadbolt



Tongue

Shootbolt



High Performance Cover Plate

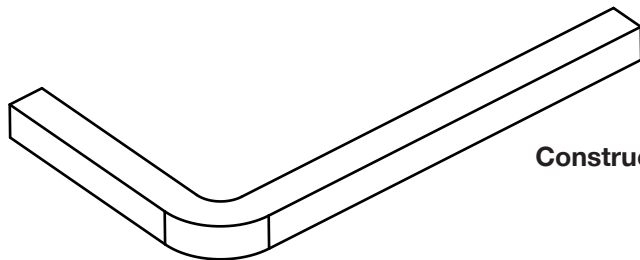


High Performance Cover Plate

Shootbolt Sash Support Plate

Item No. 2512296

Stainless Steel



Construction Handle

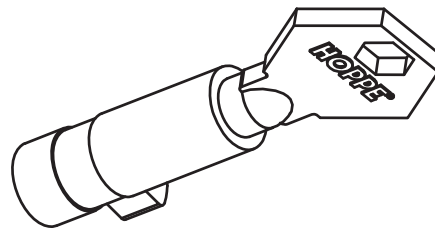
Construction Handle

Temporary Handle used to retract Latch,

as well as activate/retract Multipoints

Item No. 2426890

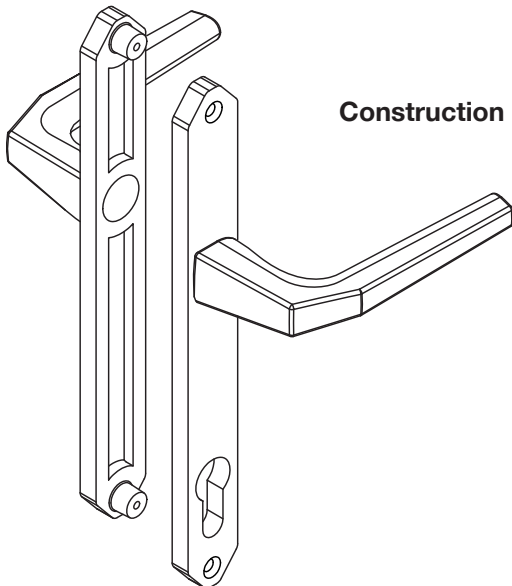
Construction Key



Construction Key

Activates the Deadbolt Without Trim

Installed, Item No. 2667482



Construction Handle Set

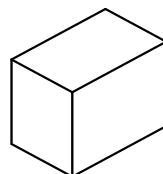
Construction Handle Set

Complete Interior and Exterior Trim for security and weather resistance during the construction phase

Item No. 2604801

Item No. 2605353 (Incl Construction Key)

Foam Eurogroove Plug

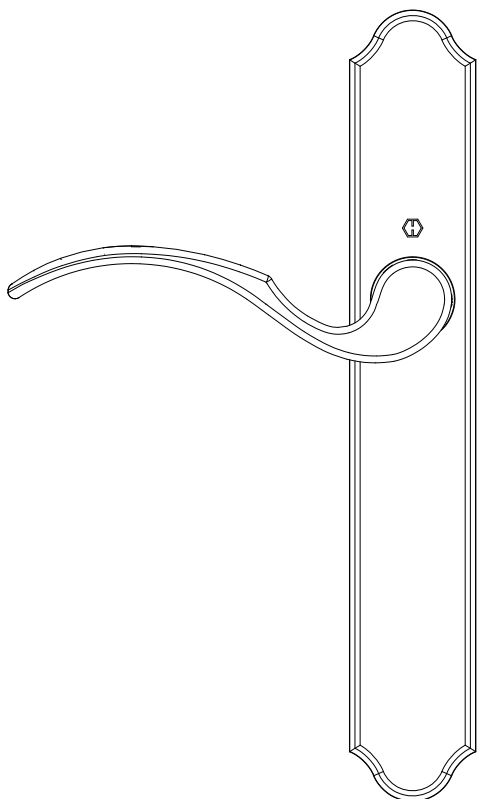


Foam Eurogroove Plug

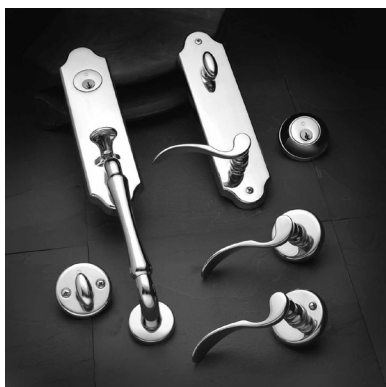
For 3-Point Systems Only

Gray, Item No. 1963538

**München Series
M112PL/374N**

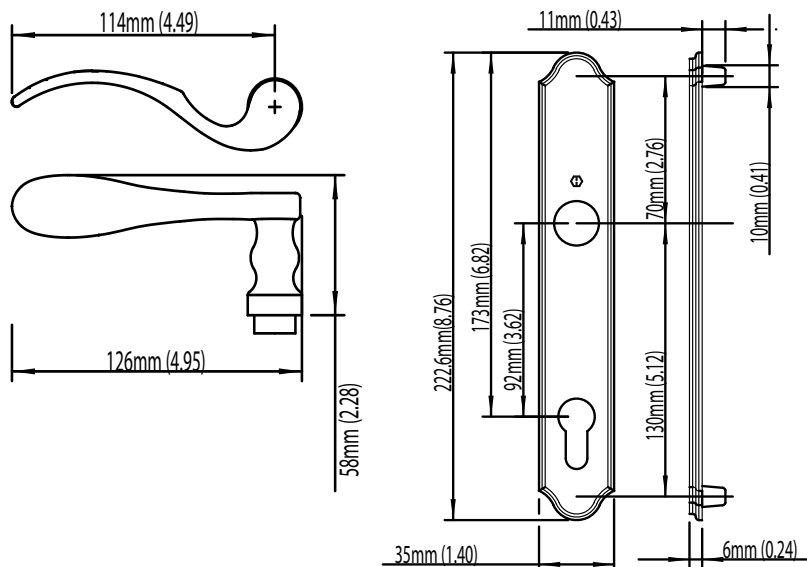


Order HBL Entry & Interior Door Hardware to match your HLS™ patio door trim, and complete the look throughout the home. Contact your HOPPE Sales Representative, or visit www.us.hoppe.com.



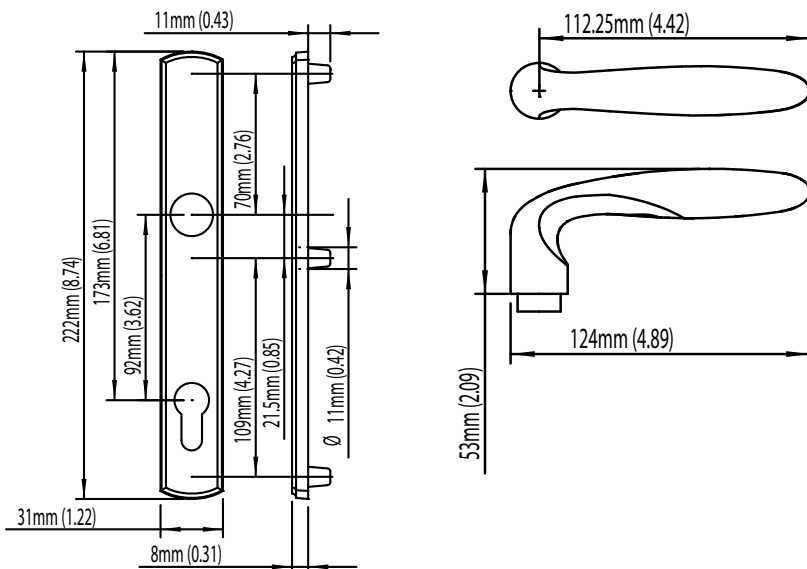
	1.75" (45 mm) Door Thickness	
Finish	Active	Inactive*
Resista® Brass (F77-R)	2116331	2133579
Antique Brass (F73)	8763123	8763127
Brushed Chrome (F41-R)	8763167	8766019
Polished Chrome (F49-R)	8763135	8763147
Oil Rubbed Brass (F79)	8773267	8766015
Pure White (F9010)	8763187	8763191
Matte Black (F9714)	8773711	8773715
Satin Nickel (F42-R)	2094813	2106280
Antique Nickel (F44-R)	2106255	
Rustic Umber (F8709)	2214651	2214660

* Fixed Immovable Dummy Sets also available for Inactive Panels.
Handle Sets are configured for a Centered Eurogroove.
Order (1) Handle Set per Door. Each Set Includes Interior and Exterior Handles, Backplates, Cylinder or Thumbturn, and Installation Hardware.

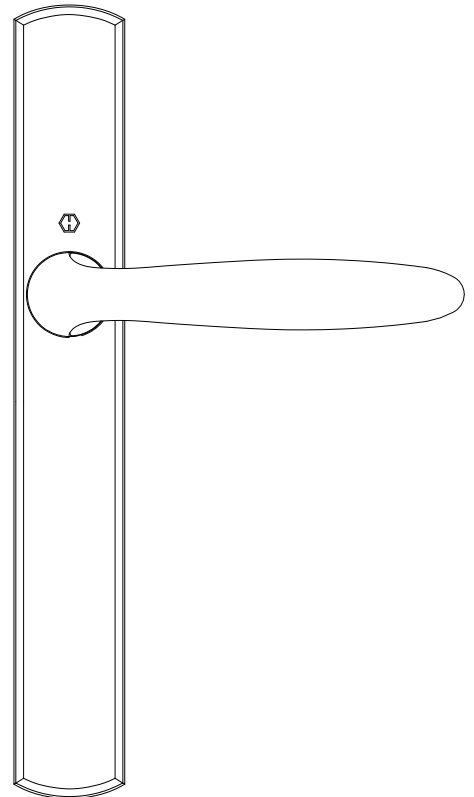


	1.75" (45 mm) Door Thickness	
Finish	Active	Inactive*
Resista® Brass (F77-R)	2131021	2131098
Antique Brass (F73)	2131039	2131101
Brushed Chrome (F41-R)	2131055	2039726
Polished Chrome (F49-R)	2131047	2131119
Oil Rubbed Brass (F79)	2131080	2203477
Pure White (F9010)	2131071	2131127
Matte Black (F9714)	2131063	2039742
Satin Nickel (F42-R)	2094805	2095752
Antique Nickel (F44-R)	2095921	2095939
Rustic Umber (F8709)	2207558	2207566

* Fixed Immovable Dummy Sets also available for Inactive Panels. Handle Sets are configured for a Centered Eurogroove. Order (1) Handle Set per Door. Each Set Includes Interior and Exterior Handles, Backplates, Cylinder or Thumbturn, and Installation Hardware.



**Verona Series
M151/216N**



Order HBL Entry & Interior Door Hardware to match your HLS™ patio door trim, and complete the look throughout the home. Contact your HOPPE Sales Representative, or visit www.us.hoppe.com.



Single Design Theme



Swinging Patio Doors

Sliding Patio Doors

Fold & Slide

Lift & Slide

Entry Doors

Interior Doors

Windows

In the past it has been difficult for designers, builders and architects to find a complete set of matching hardware for every opening in a home. HOPPE North America solved that problem by introducing the Single Design Theme Concept, which means that the same styles and finishes are offered across a full range of product lines.

You spend a lot of time choosing just the right materials to give a home that coordinated, high quality, designer look. Why wouldn't you give the same attention to the doors and windows? Now when you select an HLS™ One Multipoint Hardware System and compatible Handle Set, you have the choice to let your style and attention to detail show throughout the home with matching Window, Sliding, Entry and Interior Door Handles. Even our Adjustable Hinges are available in the same finishes as our Handle Sets. Everything you need for that added touch of class that sets you apart from the rest.

HOPPE not only thinks about the details for you, we also bring them all together under one roof. making HOPPE your Single Source Supplier for Single Design Themes. Contact your HOPPE Sales Representative or visit www.us.hoppe.com for more information about coordinating products for your HLS™ hardware.



HOPPE North America, Inc.
205 E. Blackhawk Drive
Fort Atkinson, WI 53538-1268
920-563-2626
920-563-4408

1-888-485-4885
info.us@hoppe.com

