



## FUZE PAR Z120 IP™

SKU# FUZ012

The IP65 rated FUZE PAR Z120 IP™ is a single source silent operating par luminaire with a 120W Quad Color RGBW COB LED. Features 7° to 55° motorized zoom, RGBW color mixing, electronic strobe and selectable dimming curve effects, DMX and RDM (remote device management) protocol support, IP rated 5pin XLR and powerCON TRUE1 in/out connections, LCD menu display with 4 touch button control panel, dual adjustable yokes, multiple unit power linking, flicker free operation for TV and FILM, a multi-voltage universal auto switching power supply (110-240v), and removable gel frame and barn doors included.

### FEATURES

**IP65 Rated**

**120W RGBW COB LED Par Luminaire**

**7° to 55° Motorized Zoom Range**

**Silent Operation**

**RGBW Color Mixing**

**Dual Adjustable Yokes**

**Multiple Unit Power Linking**

**Flicker Free Operation for Broadcast TV and FILM**

**Removable Gel Frame and Barn Doors Included**



**PRODUCT SPECIFICATIONS**

**SOURCE**

120W RGBW COB LED  
100,000 Hour Average LED Life\*

\*LED Life may vary depending on several factors including but not limited to: Environmental Conditions, Power/Voltage, Usage Patterns (On-Off Cycling), Control and Dimming.

**PHOTOMETRIC DATA**

9,112 LUX 847 FC @9.8' (3m) (7° Full ON)  
428 LUX 40 FC @9.8' (3m) (55° Full ON)

**EFFECTS**

RGBW Color Mixing  
7° - 55° Beam Zoom Range  
Electronic Strobe and Dimming  
Variable Dimming Curves  
64 Color Presets and 14 Unique Color Macros

**COLOR**

RGBW

**CONTROL / CONNECTIONS**

(12) DMX Channel Modes (13 Total Channels)  
RDM (Remote Device Management)  
(4) Button TouchControl Panel  
IP Rated 5pin DMX In/Out  
powerCON TRUE 1 In/Out

**SIZE / WEIGHT**

Length: 11.69" (283.7mm)  
Width: 14.05" (356.8mm)  
Vertical Height: 14.14" (359.2mm)  
Weight: 19 lbs. (8.6 kg)

**ELECTRICAL / THERMAL**

AC 110-240V - 50/60Hz  
158W Max Power Consumption  
Multiple Unit Power Linking  
5°F to 113°F (-15°C to 45°C)

**INCLUDED ITEMS**

powerCON TRUE1 Power Cable  
Gel Frame  
Barn Door

**APPROVALS / RATINGS**



**OPTIONAL ACCESSORIES**

ORDER CODE	ITEM
NARROW CLAMP	PRO 2" Wrap Around Clamp
NEU088	3 ft. (1m) PowerCON TRUE1 Power Link Cable
	Additional cable lengths available

**PHOTOMETRIC DATA**

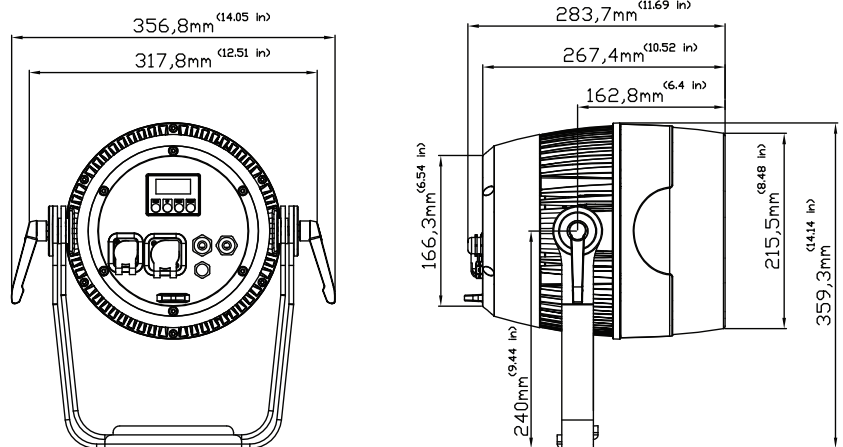
**MIN ZOOM - 7° Beam Diameter**

	3 m	9.8 ft	4 m	13.1 ft	5 m	16.4 ft
7° Beam Diameter	0.3	1.0	0.39	1.3	0.47	1.5
14° Field Diameter	0.98	3.2	1.28	4.2	1.58	5.2
	lux	fc	lux	fc	lux	fc
RED LEDs	1,990	185	1,132	105	662	61
GREEN LEDs	3,534	328	2,005	186	1,219	113
BLUE LEDs	702	65	387	36	236	22
WHITE LEDs	5,789	538	342	32	2,089	194
FULL ON	9,112	847	5,183	482	3,352	311

**MAX ZOOM - 55° Beam Diameter**

	3 m	9.8 ft	4 m	13.1 ft	5 m	16.4 ft
55° Beam Diameter	3.12	10.2	4.16	13.6	5.2	17.1
57° Field Diameter	3.16	10.4	4.2	13.8	5.24	17.2
	lux	fc	lux	fc	lux	fc
RED LEDs	82	8	50	5	32	3
GREEN LEDs	139	13	65	6	32	3
BLUE LEDs	27	3	13	1	6	1
WHITE LEDs	245	23	120	11	59	5
FULL ON	428	40	224	21	129	12

**DIMENSIONAL DIAGRAMS**



Specifications are subject to change without notice ©Elation Professional 08/05/16

