

VL600 ACCLAIM ZOOMSPOT

Date: _____

Type: _____

Firm Name: _____

Project: _____

The VL600 Acclaim Zoomspot offers high output and full color mixing in a single, cost-effective 500W / 650W-equivalent fixture designed for precision key lighting and gobo projection. With a built-in manual zoom and focus and a four-blade manual shutter system, the VL600 Zoomspot is the perfect choice for small to medium-sized schools, theatres, and houses of worship. The manual shutter system and integrated 25° to 50° manual zoom and focus on the VL600 Acclaim Zoomspot gives superior control to shape and focus the light. This provides precise adjustment of the flat, even beam to key light performers or highlight parts of the set. With the optional angle-adjusting gobo holder, designers can project depth and texture on the stage using industry-standard size B metal gobos. And for applications with a shorter trim height, the integrated adjustable yoke allows the fixture to be hung closer to the suspension position. The VL600 Acclaim Zoomspot is available in black or white.



- 500W/650W-equivalent LED zoomspot – cost-effective all-in-one profile
- Integrated 25° to 50° manual zoom and focus – precise beam sizing and edge softness control.
- Four-blade manual shutter system – superior control to position the light only where you need it.
- Optional angle-adjusting size B metal gobo holder – add depth and texture using industry-standard gobos. Easily adjust gobo holder to get your gobo at the perfect angle.
- Integrated manual focus – achieve a perfect, clear gobo or a nice soft edge

- Adjustable yoke – mount fixture where you want it even when headroom is limited.
- Custom LED light source and RGBL color mixing system – consistent output and color mixing with the entire VL600 Series
- Available in black or white – the perfect body color for your application.

For detailed product information, please refer to the Product Guide at <https://www.vari-lite.com/global/products/acclaim-led-zoomspot>



VARI*LITE

Specifications

Due to continuous improvements and innovations, specifications may change without notice.

Source

LED	Multichromatic Light Engine - RGBL
Source Max Power Consumption	150 W
LED Refresh Rate	500 Hz to 4000 Hz
Dimming	Electronic 8-bit / 16-bit
Dimmer Curves	Square Law (Default), Linear, S-Curve
Strobe Speed	0 - 30Hz

Optical Performance

Lens Size	111 mm (4.4 in)
Zoom Range	25 - 50°
Zoom Control	Manual control
Focus	Manual control
Output Lumens	Beam - 6,500, Field - 8,500 Field - 8500
CRI RA	7100 K - 84 5600 K - 84 3200 K - 84
Tm30	7100 K - Rf 79 / Rg 102 5600 K - Rf 80 / Rg 102 3200 K - Rf 78 / Rg 109
CQS	7100 K - 80
TLCI	7100 K - 77 5600 K - 78 3200 K - 74

Color System

Color Mixing	RGBL
Color Mixing Control	Open Source
Color Calibration	Selectable On/Off

Imaging

Shutter	4 blade manual framing shutters
---------	---------------------------------

Electrical

Max output Power Consumption	170 W
Power Connection	TrueOne Compatible - In / Thru Power cable not included - input connector only
Input Voltage	100–240 VAC, 50 / 60 Hz
Standby Power	8.8 W

Data

Supported Protocols	DMX512-A (RDM)
DMX Modes	
16-Bit	11 Channels
8-Bit	8 Channels
Data Connections	5 - Pin XLR Input and Thru
Manual Preset Mode	Advanced Feature local control

Noise Level / Fan Control (Base Level 21 dB @ 1 m (3.3 ft))

Standard Mode	42.6 dB
Studio Mode	37 dB
Whisper Mode	33.2 dB
Fan Mode	Continuous (On) / Auto Ramping
Fan Level Preset	Standard, Studio, Whisper
Cooling System Type	Hybrid sealed liquid and forced air system

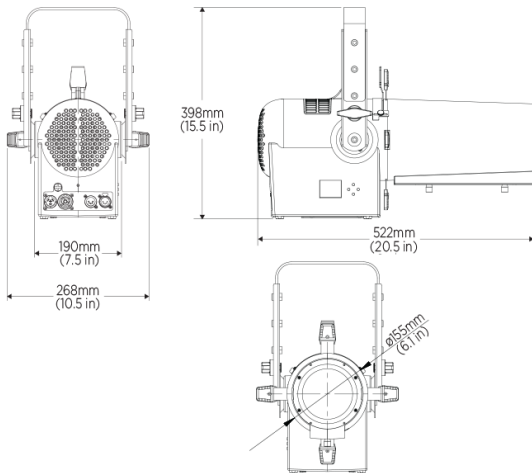
Mounting

Yoke	Double clutch locking yoke >270° Swivel Yoke M12 (1/2") Centre hole
Fixture mounting/Hanging orientation	Hanging - Floor - Side
Secondary Safety Wire Point	1 x Safety point located on rear of fixture housing Safety Wire not included

Photometrics and IES Files

For IES files and photometric reports, please refer to the product page:
<https://www.vari-lite.com/global/products/acclaim-led-zoomspot>

Dimensions



Physical

Construction	Superstructure made of Aluminum, and steel metal plates, Covers self-extinguishing fire retardant ABS PC (V0 class)
IP Rating	IP20
Standard Finish	Black, White
Dimensions	190 x 353 x 522 mm (8.0 x 14.0 x 21.0 in)
Dimension (w/ yoke)	398 x 268 x 522 mm (16.0 x 11.0 x 21.0 in)
Fixture Weight	8.0 kg (18.0 lb)
Operating Temperature	-10-40° (14-104°)
Operating Temperature	-10-40°C (14-104°F)

Certification and Safety

Approbations
ETL (UL & CSA)CB/IECEE Scheme for CE-LVD, FCC, ICES, RCM, CE-EMC, UKCA, RoHS, ISO 9001

Gobo and Effect Wheels

Gobo Gate	B size (holder optional accessory)
Gobo Size	B

Luminaire and Accessories

Product type	Order Code
VL600 ACCLAIM ZOOMSPOT, Black	64511-002
VL600 ACCLAIM LED ZOOMSPOT, 150W Multichromatic Light Engine - RGBL, c/w Power input connector, Black	
VL600 ACCLAIM ZOOMSPOT, White	64511-102
VL600 ACCLAIM LED ZOOMSPOT, 150W Multichromatic Light Engine - RGBL, c/w Power input connector, White	
Accessories	
VL600 Acclaim Zoomspot accessory holder + Gel Frame (Black)	64511-011
VL600 ACCLAIM LED ZOOMSPOT, Accessory Holder & Gel Frame, Black	
VL600 Acclaim Zoomspot accessory holder + Gel Frame (White)	64511-111
VL600 ACCLAIM LED ZOOMSPOT, Accessory Holder & Gel Frame, White	
VL600 Acclaim B Size gobo holder	64511-012
VL600 ACCLAIM ZOOMSPOT/PLE, B Size Adjustable Gobo Holder - Metal or Glass images	
VL600 Acclaim IRIS	64511-013
VL600 ACCLAIM ZOOMSPOT/PLE, Iris	
VL600 Acclaim FRS/ZMSP, Gel Frame Kit, Qty 6, BLK	65411-900
VL600 ACCLAIM LED GEL FRAME KIT, Qty 6 Frames, Fits FRESNEL and ZOOMSPOT, Black	
VL600 Acclaim FRS/ZMSP, Gel Frame Kit, Qty 6, WHT	65411-901
VL600 ACCLAIM LED GEL FRAME KIT, Qty 6 Frames, Fits FRESNEL and ZOOMSPOT, White	



© 2024 Signify Holding. All rights reserved. All trademarks are owned by Signify Holding or their respective owners. The information provided herein is subject to change, without notice. Signify does not give any representation or warranty as to the accuracy or completeness of the information included herein and shall not be liable for any action in reliance thereon. The information presented in this document is not intended as any commercial offer and does not form part of any quotation or contract, unless otherwise agreed by Signify. Data subject to change.