



# Evolution Wireless Digital EW-DX SK | EW-DX SK 3-PIN Bodypack Transmitter



EW-DX SK



EW-DX SK 3-PIN

Compact and versatile bodypack transmitter for use with Evolution Wireless Digital receivers - with 3,5 mm jack or 3-pin connector variants.

## FEATURES

- 3,5 mm jack or 3-pin connector variants
- 10mW RF power with up to 100m/328ft working range
- Charging contacts for in-device charging with CHG 70N
- Persistent elnk display - parameters visible on screen even when device is not powered on
- Programmable mute switch - customize the device depending on your professional needs
- Extended runtime with lithium ion batteries - up to 12 hours operation time
- Mic input trim control
- Metal housing

## DELIVERY INCLUDES

- EW-DX SK bodypack transmitter
- clip
- batteries (AA)
- pouch
- quick guide
- safety guide
- manufacturer declaration sheet



# Evolution Wireless Digital

## EW-DX SK | EW-DX SK 3-PIN

### Bodypack Transmitter

#### SPECIFICATIONS

System		EW-DX SK (Bodypack Transmitter)	
Audio link frequency ranges	Q1-9 470.2 - 550 MHz R1-9 520 - 607.8 MHz S1-10 606.2 - 693.8 MHz S2-10 614.2 - 693.8 MHz S4-10 630 - 693.8 MHz U1/5 823.2 - 831.8 MHz & 863.2 - 864.8 MHz V3-4 925.2 - 937.3 MHz V5-7 941.7 - 951.8 MHz & 953.05 - 956.05 MHz & 956.65 - 959.65 MHz X1-6 1350.2 - 1398.8 MHz X9-18 1435.2 - 1524.8 MHz Y1-3 1785.2 - 1799.8 MHz	Input voltage	2.0 - 4.35 V
Bluetooth® Low Energy (BLE) frequency range	2402 - 2480 MHz	Input current	< 300 mA
Audio frequency response	20 Hz - 20 kHz (-3 dB) @ 3 dBfs	Power supply	2 AA batteries 1.5 V (alkali manganese) or BA 70 rechargeable battery pack
Audio THD	≤ -60 dB for 1 kHz @ -3 dBfs input level	Occupied bandwidth	200 kHz
Dynamic range	134 dB	Transmit power (radiated)	Audio link: 10 mW ERP (Range Y1-3: 12 mW ERP) LD mode: 10 mW ERP BLE: max. 10 mW EIRP
System latency	1.9 ms	Dimensions (without antenna)	63.5 x 85 x 20 mm (2.5" x 3.35" x 0.79")
Operating temperature	-10 °C - +55 °C (14 °F - 131 °F)	Weight (without batteries)	approx. 115-120 g (0.26-0,27 - lbs)
Relative humidity	5 - 95 % (non-condensing)		



# Evolution Wireless Digital

## EW-DX SK | EW-DX SK 3-PIN

### Bodypack Transmitter

#### PRODUCT VARIANTS

<b>EW-DX SK (Q1-9)</b>	470.2 - 550 MHz	Art. no. 509384
<b>EW-DX SK (R1-9)</b>	520 - 607.8 MHz	Art. no. 509385
<b>EW-DX SK (S1-10)</b>	606.2 - 693.8 MHz	Art. no. 509386
<b>EW-DX SK (S1/10)</b>	606.2 - 637.8 MHz & 650.2 - 693.8 MHz	Art. no. 509387
<b>EW-DX SK (S2-10)</b>	614.2 - 693.8 MHz	Art. no. 509389
<b>EW-DX SK (S4-10)</b>	630 - 693.8 MHz	Art. no. 509390
<b>EW-DX SK (U1/5)</b>	823.2 - 831.8 MHz & 863.2 - 864.8 MHz	Art. no. 509391
<b>EW-DX SK (V3-4)</b>	925.2 - 937.3 MHz	Art. no. 509393
<b>EW-DX SK (V5-7)</b>	941.7 - 951.8 MHz & 953.05 - 956.05 MHz & 956.65 - 959.65 MHz	Art. no. 509394
<b>EW-DX SK (X1-6)</b>	1350.2 - 1398.8 MHz	Art. no. 509395
<b>EW-DX SK (X9-18)</b>	1435.2 - 1524.8 MHz	Art. no. 509396
<b>EW-DX SK (Y1-3)</b>	1785.2 - 1799.8 MHz	Art. no. 509397
<b>EW-DX SK 3-PIN (Q1-9)</b>	470.2 - 550 MHz	Art. no. 509398
<b>EW-DX SK 3-PIN (R1-9)</b>	520 - 607.8 MHz	Art. no. 509399
<b>EW-DX SK 3-PIN (S1-10)</b>	606.2 - 693.8 MHz	Art. no. 509400
<b>EW-DX SK 3-PIN (S1/10)</b>	606.2 - 637.8 MHz & 650.2 - 693.8 MHz	Art. no. 509401
<b>EW-DX SK 3-PIN (S2-10)</b>	614.2 - 693.8 MHz	Art. no. 509403
<b>EW-DX SK 3-PIN (S4-10)</b>	630 - 693.8 MHz	Art. no. 509404
<b>EW-DX SK 3-PIN (U1/5)</b>	823.2 - 831.8 MHz & 863.2 - 864.8 MHz	Art. no. 509405
<b>EW-DX SK 3-PIN (V3-4)</b>	925.2 - 937.3 MHz	Art. no. 509407
<b>EW-DX SK 3-PIN (V5-7)</b>	941.7 - 951.8 MHz & 953.05 - 956.05 MHz & 956.65 - 959.65 MHz	Art. no. 509408
<b>EW-DX SK 3-PIN (X1-6)</b>	1350.2 - 1398.8 MHz	Art. no. 509409
<b>EW-DX SK 3-PIN (X9-18)</b>	1435.2 - 1524.8 MHz	Art. no. 509410
<b>EW-DX SK 3-PIN (Y1-3)</b>	1785.2 - 1799.8 MHz	Art. no. 509411

#### MICROPHONE COMPATIBILITY

##### Lavalier and headset microphones compatible with the EW-DX SK bodypack transmitter

<b>ME 2</b>	Omni-directional lavalier microphone Models produced from 2021 onward, featuring a gold-plated connector*
<b>ME 4</b>	Cardioid lavalier microphone Models produced from 2021 onward, featuring a gold-plated connector*
<b>MKE Essential Omni</b>	Omni-directional lavalier microphone
<b>MKE 2 Gold</b>	Omni-directional lavalier microphone Models produced from 2018 onward, featuring a blue serial number plate
<b>MKE 1</b>	Omni-directional lavalier microphone
<b>ME 3</b>	Cardioid headset microphone Models produced from 2021 onward, featuring a gold-plated connector*
<b>HSP Essential Omni</b>	Omni-directional headset microphone
<b>HSP 2</b>	Omni-directional headset microphone Models produced from March 2020 onward (featuring code 1090 or later)
<b>HS 2</b>	Omni-directional headset microphone Models produced from 2021 onward, featuring a gold-plated connector*
<b>SL Headmic 1</b>	Omni-directional headset microphone

\* Models produced prior to 2021 will feature a nickel connector. Earlier models may pick up noise when placed close to the transmitter and are not recommended for use



# Evolution Wireless Digital

## EW-DX SK | EW-DX SK 3-PIN

### Bodypack Transmitter

#### MICROPHONE COMPATIBILITY

##### Lavalier and headset microphones compatible with the EW-DX SK 3-PIN bodypack transmitter

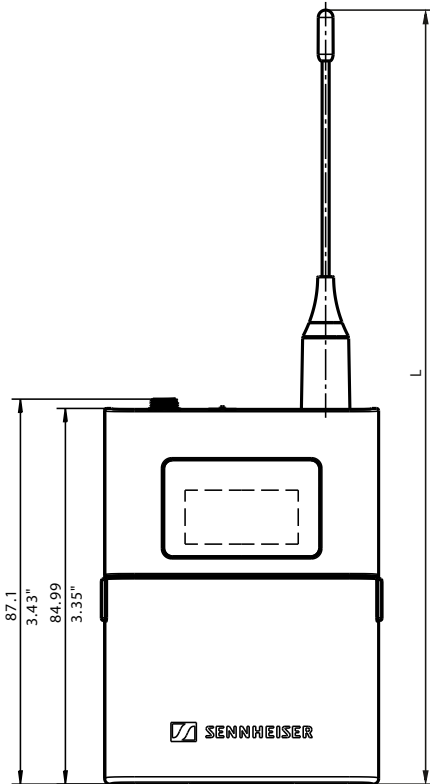
<b>MKE 1-4</b>	Lavalier microphone with omni-directional pattern, article no. 502167
<b>MKE 2-4</b>	Lavalier microphone with omni-directional pattern, article no. 004736
<b>MKE 40-4</b>	Lavalier microphone with cardioid pattern, article no. 003579
<b>MKE Essential Omni Black-3-Pin</b>	Lavalier microphone with omni-directional pattern, article no. 508251
<b>MKE Essential Omni Beige-3-Pin</b>	Lavalier microphone with omni-directional pattern, article no. 508252
<b>HSP 2</b>	Cardioid headset microphone Models produced from 2021 onward, featuring a gold-plated connector*
<b>HSP 4</b>	Omni-directional headset microphone
<b>SL Headmic 1-4</b>	Omni-directional headset microphone Models produced from March 2020 onward (featuring code 1090 or later)
<b>HSP Essential Omni Black-3-Pin</b>	Omni-directional headset microphone Models produced from 2021 onward, featuring a gold-plated connector*
<b>HSP Essential Omni Beige-3-Pin</b>	Omni-directional headset microphone

\* Models produced prior to 2021 will feature a nickel connector. Earlier models may pick up noise when placed close to the transmitter and are not recommended for use

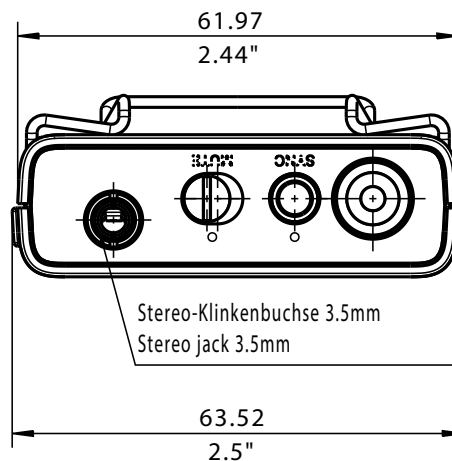
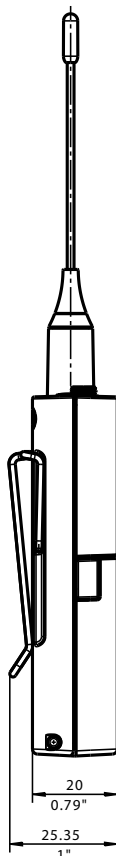


# Evolution Wireless Digital EW-DX SK | EW-DX SK 3-PIN Bodypack Transmitter

## DIMENSIONS



590761	1785-1800 MHZ	203.8 / 8.02"
590758	941-960 MHZ	157.8 / 6.21"
590757	925-938 MHZ	157.8 / 6.21"
590756	823-832 MHZ & 863-865 MHZ	166.2 / 6.54"
590755	630-694 MHZ	195.8 / 7.71"
590754	614-694 MHZ	195.8 / 7.71"
590753	606-638 MHZ & 650-694 MHZ	195.8 / 7.71"
590752	606-694 MHZ	195.8 / 7.71"
590751	520-608 MHZ	217.8 / 8.57"
590750	470-550 MHZ	231.8 / 9.13"
Teile-Nr. Part no.	Frequenzbereich Frequency range	L





# Evolution Wireless Digital EW-DX SK | EW-DX SK 3-PIN Bodypack Transmitter

## EW-DX SK bodypack transmitter

The bodypack transmitter shall be for use with a companion receiver as part of a digital wireless RF transmission system.

The bodypack transmitter shall operate within the following UHF frequency ranges, with a switching bandwidth of up to 88 MHz: 470.2 – 550 MHz, 520 – 607.8 MHz, 606.2 – 693.8 MHz, 614.2 – 693.8 MHz, 630 – 693.8 MHz, 823.2 – 831.8 MHz, 863.2 – 846.8 MHz, 925.2 – 937.3 MHz, 941.7 – 951.8 MHz, 953.05 – 956.05 MHz, 956.65 – 959.65 MHz, 1350.2 – 1398.8 MHz, 1435.2 – 1524.8 MHz, 1785.2 – 1799.8 MHz. Different frequency variants shall be available depending on country-specific regulations.

The audio frequency response shall be between 20 Hz and 20 kHz (-3 dB). Audio total harmonic distortion (THD) shall be  $\leq -60$  dB for 1 kHz @ -3 dBfs input level. Dynamic range shall be 134 dB. System latency shall be 1.9 ms.

Occupied bandwidth shall be 200 kHz. Transmit power (radiated) shall be 10 mW ERP (1785.2 – 1799.8 MHz Range: 12 mW ERP).

A programmable mute switch shall be provided for muting or unmuting either the audio signal or the radio signal. The mute switch can also be deactivated.

The bodypack transmitter shall be menu-driven with a backlit elnk display showing the relevant status information such as frequency, battery status or AES 256 encryption status.

All transmitter parameters shall be adjustable with function buttons on the device itself or by Bluetooth Low Energy (BLE) synchronization via the associated receiver. The function buttons shall be lockable against accidental misuse.

Power shall be supplied to the bodypack transmitter by two 1.5 V AA size batteries or by one Sennheiser BA 70 rechargeable battery pack. Operating time shall be typically 12 hours with a battery pack and up to 8 hours with AA batteries.

The bodypack transmitter shall feature charging contacts for direct charging of the transmitter with inserted BA 70 battery pack in a Sennheiser CHG 70N network-enabled charger.

The bodypack transmitter's microphone/line input shall utilize a lockable 3.5 mm Jack socket.

The bodypack transmitter shall be compatible with microphones for every application: Sennheiser lavalier microphones ME 2, ME 4, MKE 1, MKE 2 Gold and MKE Essential Omni, Sennheiser headset microphones HS 2, HSP 2, HSP Essential Omni, ME 3 and SL Headmic 1.

The bodypack transmitter shall have a rugged metal housing; dimensions shall be approximately 63.5 x 85 x 20 mm (2.5" x 3.35" x 0.79"). Weight without batteries shall be approximately 115 - 120 grams depending on antenna length. Operating temperature shall range from  $-10$  °C to  $+50$  °C ( $+14$  °F to  $+122$  °F).

The handheld transmitter shall be the Sennheiser EW-DX SK.

## EW-DX SK 3-PIN bodypack transmitter

The bodypack transmitter shall be for use with a companion receiver as part of a digital wireless RF transmission system.

The bodypack transmitter shall operate within the following UHF frequency ranges, with a switching bandwidth of up to 88 MHz: 470.2 – 550 MHz, 520 – 607.8 MHz, 606.2 – 693.8 MHz, 614.2 – 693.8 MHz, 630 – 693.8 MHz, 823.2 – 831.8 MHz, 863.2 – 846.8 MHz, 925.2 – 937.3 MHz, 941.7 – 951.8 MHz, 953.05 – 956.05 MHz, 956.65 – 959.65 MHz, 1350.2 – 1398.8 MHz, 1435.2 – 1524.8 MHz, 1785.2 – 1799.8 MHz. Different frequency variants shall be available depending on country-specific regulations.

The audio frequency response shall be between 20 Hz and 20 kHz (-3 dB). Audio total harmonic distortion (THD) shall be  $\leq -60$  dB for 1 kHz @ -3 dBfs input level. Dynamic range shall be 134 dB. System latency shall be 1.9 ms.

Occupied bandwidth shall be 200 kHz. Transmit power (radiated) shall be 10 mW ERP (1785.2 – 1799.8 MHz Range: 12 mW ERP).

A programmable mute switch shall be provided for muting or unmuting either the audio signal or the radio signal. The mute switch can also be deactivated.

The bodypack transmitter shall be menu-driven with a backlit elnk display showing the relevant status information such as frequency, battery status or AES 256 encryption status.

All transmitter parameters shall be adjustable with function buttons on the device itself or by Bluetooth Low Energy (BLE) synchronization via the associated receiver. The function buttons shall be lockable against accidental misuse.

Power shall be supplied to the bodypack transmitter by two 1.5 V AA size batteries or by one Sennheiser BA 70 rechargeable battery pack. Operating time shall be typically 12 hours with a battery pack and up to 8 hours with AA batteries.

The bodypack transmitter shall feature charging contacts for direct charging of the transmitter with inserted BA 70 battery pack in a Sennheiser CHG 70N network-enabled charger.

The bodypack transmitter's microphone/line input shall utilize a lockable 3-pin audio socket.

The bodypack transmitter shall be compatible with microphones for every application: Sennheiser lavalier microphones MKE 1-4, MKE 2-4, MKE 40-4 and MKE Essential Omni 3-Pin, Sennheiser headset microphones HSP 2, HSP 4, HSP Essential Omni 3-Pin and SL Headmic 1-4.

The bodypack transmitter shall have a rugged metal housing; dimensions shall be approximately 63.5 x 85 x 20 mm (2.5" x 3.35" x 0.79"). Weight without batteries shall be approximately 115 - 120 grams depending on antenna length. Operating temperature shall range from  $-10$  °C to  $+50$  °C ( $+14$  °F to  $+122$  °F).

The handheld transmitter shall be the Sennheiser EW-DX SK 3-PIN.