

MEGA^{LITE}

PRODUCT SPECIFICATION SHEET

DECO

DRIVE IP

DESCRIPTION

The DECO Drive IP is designed to control our popular DECO Series for outdoor fixtures to provide you the versatility you need.

This all in one solution features 4 outputs that give users the ability to control multiple products at once. Each output can be individually configured and addressed in any preferred channel. This powerful driver has a max power of 96W per output or 384W total max power.

The unit features a mounting hole that can be accessorized with a clamp mount tread or din rail mount, making it easy for various installations.

Integrate your next installation with the DECO Drive IP!



POWER

The driver has 4 outputs that are 96W each. Connect up to twelve DECO Cityscape or four DECO Flex per unit. (To see all fixtures compatibility please see the fixture's manual).



IP RATED

With an IP65 rating, it can be installed closer to the fixtures outdoors which simplifies the installation process.



COMPACT

Designed to fit in compact spaces, this unit can be installed in small to large areas and take up minimal space while powering and controlling your fixtures.

ELECTRICAL & CONNECTIONS

- POWER CONSUMPTION: 3.29 AMPS | 384W
- TOTAL MAX POWER: 580W
- OUTPUT CONNECTIONS: 4 IP RATED 5 CONTROL COUPLER
- POWER PER OUTPUT: 96W
- OUTPUT VOLTAGE: 24V
- POWER INPUT: 90-264VAC 50/60 HZ
- POWER CONNECTION: TRUE ONE PANEL MOUNT
- DMX CONNECTION: IP 5 PIN RATED XLR IN AND OUT & WIRELESS SOLUTIONS
- BALLAST: ELECTRONIC: MEAN WELL UHP-500-24
- WORKING AMBIENT TEMP: 24°F-148°F
- COOLING: INTERNAL FAN
- REFRESH: 4,000HZ

CONTROL & PROGRAMMING

- DISPLAY: DIGITAL
- PROTOCOL: DMX 512
- DMX CHANNEL MODES: 1, 2, 3, 4 & 7
- OPERATING STAND ALONE: 17 PRE-PROGRAMS

PHYSICAL

- HOUSING: EXTRUDED ALUMINUM IP RATED FINISH
- IP RATED ANTENNA: WIRELESS SOLUTIONS

MOUNTING

- INSTALLATION SYSTEM: M10 CLAMP MOUNT TREAD, MOUNTING HOLE, ACCESSORY DIN RAIL MOUNTS

ORDERING INFO

- DECO DRIVE IP **PART NUMBER:** 5070

INCLUDED ITEMS

- 1PC TRUE ONE POWER CABLE CAB-POW-SJOOW-100

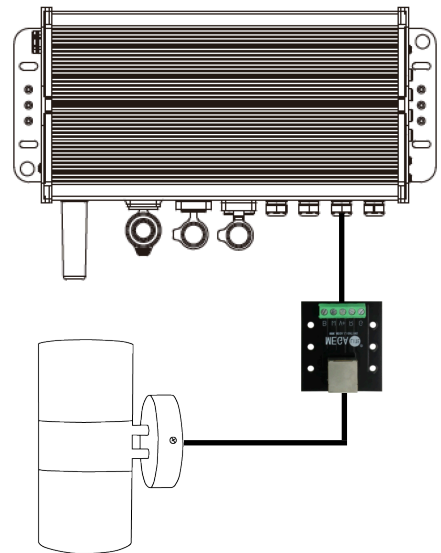
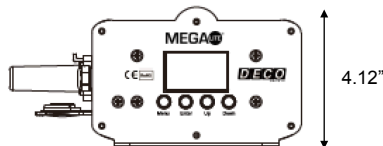
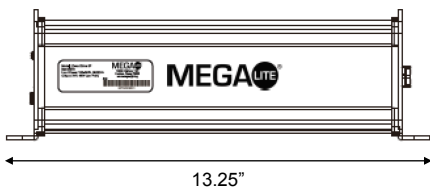
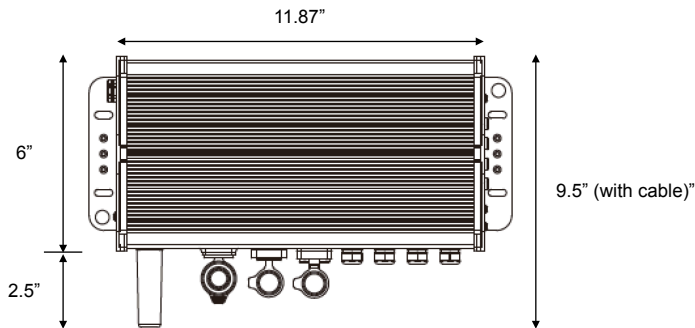
ACCESSORIES

- RJ45 TO 5 PIN SCREW TERMINAL 5060-ADA 5060-ADA (FOR INDOOR USE) 5060-DIN (DIN RAIL MOUNT) CON-COL-DC5 (CONNECTOR)
- DIN RAIL MOUNT 5060-DIN
- DC IP 67 CONNECTOR CON-COL-DC5



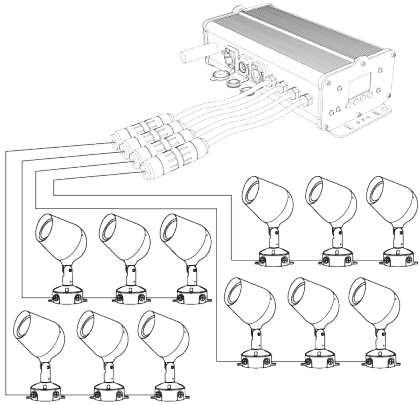
DIMENSIONS:

- FIXTURE SIZE: 13.25" X 8.5" X 4.12"
- FIXTURE WEIGHT: 8.15 lb (3.7 kg)
- PACKAGED SIZE: 14.75" X 12" X 6.75"
- PACKAGED WEIGHT: 8.8 lb (3.99 kg)

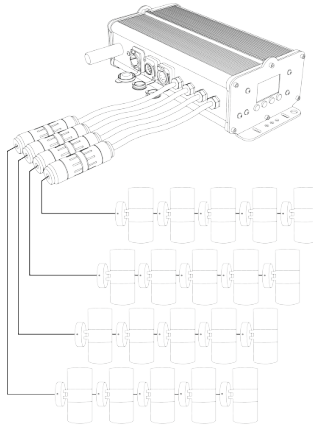


CONNECTION:

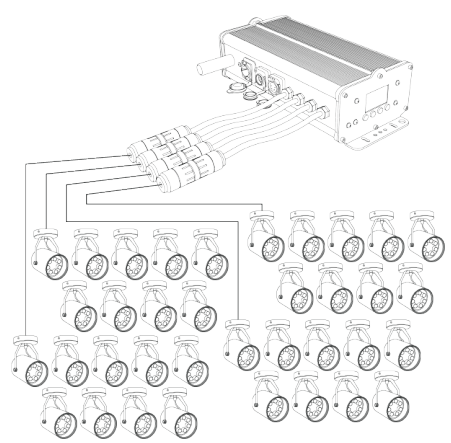
DECO CITYSCAPE
CONNECT 1 FIXTURE, POWER 3
FIXTURES PER OUTPUT
(4 OUTPUTS X 3 FIXTURES)



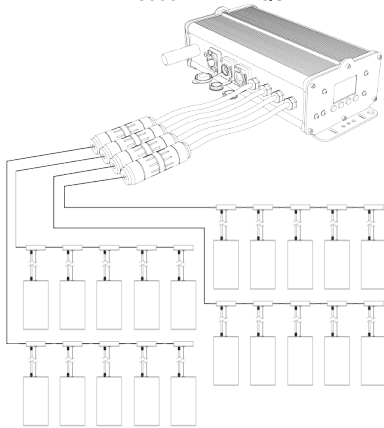
DECO SCNCE
CONNECT 1 FIXTURE, POWER 5
FIXTURES PER OUTPUT
(4 OUTPUTS X 5 FIXTURES
*5060-ADA REQUIRED)



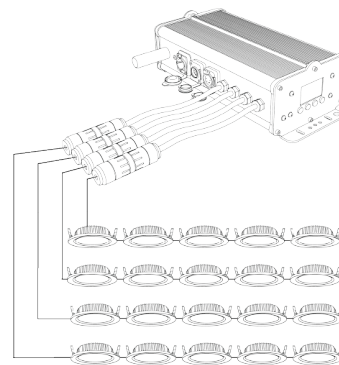
DECO PARLED
CONNECT 1 FIXTURE, POWER 9
FIXTURES PER OUTPUT.
(4 OUTPUTS X 9 FIXTURES)
*5060-ADA REQUIRED



DECO PENDANT
CONNECT 1 FIXTURE, POWER 4
FIXTURES PER OUTPUT
(4 OUTPUTS X 4 FIXTURES)
*5060-ADA REQUIRED



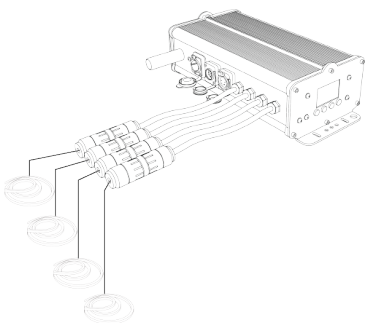
DECO RECESSED Q10
CONNECT 1 FIXTURE, POWER 5
FIXTURES PER OUTPUT
(4 OUTPUTS X 9 FIXTURES)
*5060-ADA REQUIRED



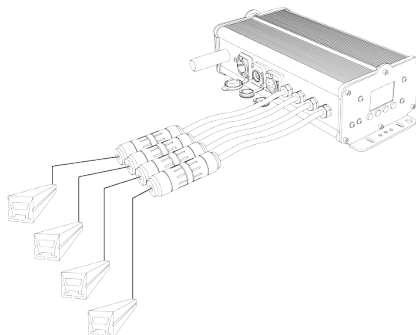
DECO RECESSED Q20
CONNECT 1 FIXTURE, POWER 5
FIXTURES PER OUTPUT
(4 OUTPUTS X 5 FIXTURES)
*5060-ADA REQUIRED

DECO RECESSED Q30
CONNECT 1 FIXTURE, POWER 3
FIXTURES PER OUTPUT
(4 OUTPUTS X 3 FIXTURES)
*5060-ADA REQUIRED

DECO FLEX C & L
ONE OUTPUT CONNECTS ONE
FIXTURE
(4 OUTPUTS X 1 FIXTURE)



DECO FLEX STEALTH L
ONE OUTPUT CONNECTS ONE
FIXTURE
(4 OUTPUTS X 1 FIXTURE)



DECO COVE
CONNECT 1 FIXTURE, POWER 5
FIXTURES PER OUTPUT
(4 OUTPUTS X 5 FIXTURES)

