

DV-HDA4K-12AUD

1x2 HDMI Distribution Amplifier

FSR

Video Products Group

DV-HDA4K-12AUD
1x2 HDMI DA



Connect with Confidence

DESCRIPTION

The DV-HDA4K-12AUD is a 1x2 HDMI® 2.0 splitter that simultaneously routes one HDMI® source to two HDMI® displays. Use this unit anywhere you need a single HDMI® source to show on two displays at the same time. This distribution amplifier supports resolutions up to 4K x 2K @ 60Hz (4:4:4) and is HDCP 2.2 compliant. This product supports audio extraction from the HDMI® source and outputs it as optical and analog audio. The output from the DV-HDA4K-12AUD supports independent output and downscaling (4K->1080P).

WHAT'S IN THE BOX



- 1x 1x2 HDMI 2.0 Splitter
- 1x 5V/1A Power Adapter
- 1x User Manual

FEATURES

- Supports 18Gbps video bandwidth
- HDMI® 2.0b, HDCP2.2/HDCP1.4 compliant
- Supports video resolutions up to 4K x 2K@50/60Hz (4:4:4) HDR
- Supports S/PDIF digital and analog audio extraction
- Output ports support independent output and 4K->1080P down-scaler function via the dip switch settings on device
- EDID can be set to copy output 1's EDID setting for both outputs or compare both EDID settings and outputs the best resolution

APPLICATIONS

- Conference Rooms
- Multi-purpose Rooms
- Collaboration Areas
- Classrooms
- Home Theaters
- Digital Signage

ORDERING INFORMATION

| Item # | Part# | Description |
|--------|----------------|--|
| 18548 | DV-HDA4K-12AUD | 4K 1x2 Distribution Amplifier with Stereo Analog Audio Out |

HDMI® (HDCP)



Specifications are subject to change without notice.

FSR Inc.

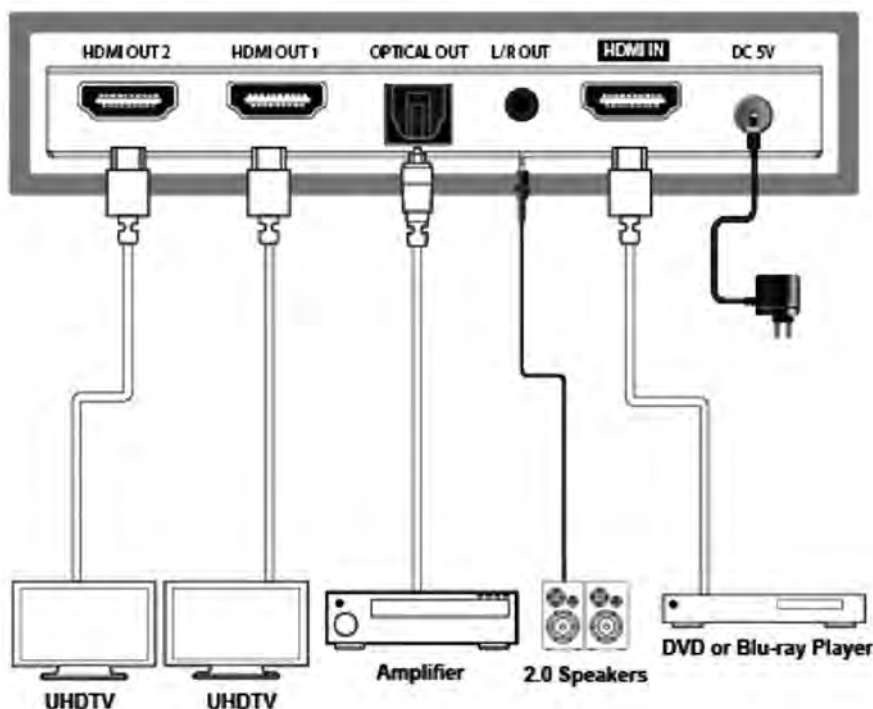
244 Bergen Boulevard, Woodland Park, NJ 07424
 Phone: 973.998.2300 · Fax: 973.785.4207
 Toll Free: 1-800-332-FSR1
 Web: www.fsrinc.com · E-mail: sales@fsrinc.com

LIT1849

SPECIFICATIONS

| Technical | |
|-----------------------|--|
| HDMI Compliance | HDMI 2.0b |
| HDCP Compliance | HDCP 2.2 and HDCP 1.4 |
| Video Bandwidth | 18Gbps |
| Video Resolutions | 720P50/60Hz, 1080P50/60Hz, 4K2K24Hz, 4K2K30Hz, 4K2K@50/60Hz (4:4:4) |
| Color Depth | 4K60Hz 8-bit, 1080P 12-bit |
| Color Space | RGB, YCbCr 4:4:4, YCbCr 4:2:2 |
| HDMI Audio Formats | LPCM, Dolby Digital/Plus/EX, Dolby True HD, DTS, DTS-EX, DTS-96/24, DTS High Res, DTS-HD Master Audio, DSD |
| L/R Audio Formats | PCM 2.0 |
| Optical Audio Formats | LPCM [2.0/2.1]CH, Dolby 5.1, Dolby True HD, Dolby DD+, DTS 5.1, DTS-ES 6, DTS-HDMA 5.1, DTS HD-HRA 5.1 |
| ESD Protection | Human-body Model : ±8kV (Air-gap discharge) , ±4kV (Contact discharge) |
| Connections | |
| Input ports | 1×HDMI Type A [19-pin female] |
| Output ports | 2×HDMI Type A [19-pin female] 1×L/R Audio out [3.5mm Stereo Mini-jack] 1×Optical out [S/PDIF] |
| Mechanical | |
| Housing | Metal Enclosure |
| Color | Black |
| Dimensions | 4.75" (120mm) ×2.46" (62.5mm) ×.55" (14mm) |
| Weight | 166g |
| Power Supply | Input: AC100~240V 50/60Hz, Output: DC5V/1A (US/EU standards, CE/FCC/UL certified) |
| Power Consumption | 2.8W (max) |
| Operating Temperature | 0°C ~ 40°C / 32°F ~ 104°F |
| Storage Temperature | -20°C ~ 60°C / -4°F ~ 140°F |
| Relative Humidity | 20~90% RH (non-condensing) |

APPLICATION EXAMPLES



The terms HDMI, HDMI High-Definition Multimedia Interface, and the HDMI Logo are trademarks or registered trademarks of HDMI Licensing Administrator, Inc.

FSR Inc.

244 Bergen Boulevard
Woodland Park, NJ 07424
Phone: 973.998.2300
Fax: 973.785.4207
Toll Free: 1-800-332-FSR1
Web: www.fsrinc.com
E-mail: sales@fsrinc.com