

DC Powered USB Chargers

FSR

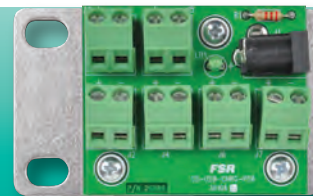
Power Products Group

USB CHARGERS



Photos are not to scale

NEW



IT-USB-CHRG

SS-USB-CHRG

SS-USB-C-CHRG

IPS-D717S

SS-USB-CHRG-PS6

DESCRIPTION

FSR offers a full line of charging solutions for your iPhone®, iPad® or any smart device in a variety of form factors to meet your installation requirements. The chargers incorporate multiple protocols for the broadest possible compatibility and fastest charge rate, up to a full 12 watts. Models are available with or without a universal power supply, see chart below.

FSR's newest keystone snap-in charging port compatible with USB-C devices, incorporates power management integrated circuitry to determine power delivery requirements for your cable or connector. The built-in electronics provides the fastest charging using the power available up to 3 amps / 15 watts.

22AWG	60'	This chart shows the proper wire gage required when re-motely powering the chargers.
20AWG	100'	
18AWG	150'	

Input	100~240VAC, 50~60Hz, 0.6A
Output	15VDC 1.2A

Chart shows the ratings for the universal power supply that is shipped with specific models.

IT-USB-CHRG

- Wall Plate DC to USB charger
- Available in White and Black

SS-USB-CHRG

- Keystone DC to USB charger
- Output is 5.2VDC 2.4A 12W
- Available in Black

*SS-USB-C-CHRG

- Keystone snap-in charging port compatible with USB-C® devices
- Can be remotely powered from 160 feet or more
- Available in Black

IPS-D717S

- IPS DC to USB charger
- Available in White and Black

SS-USB-CHRG-PS6

The SS-USB-CHRG-PS6 is a remote USB power 6 port distribution module for the FSR IT-USB-CHRG, SS-USB-CHRG and IPS-D717S DC Powered USB Chargers; It consists of a rack mounted board to remotely power up to six (6) DC Powered USB Chargers and a 15 VDC@ 6 A power supply with AC power cord. See LIT1483 for details.

***Limit SS-USB-C-CHRG chargers to 5 if you are likely to have simultaneously connected devices.**

ORDERING INFORMATION

17459	SS-USB-CHRG	USB A Universal Charging Port Snap-In module style with Power Supply, Black
17614	SS-USB-CHRG-NPS	USB A Universal Charging Port Snap-In module style without Power Supply, Black
18347	SS-USB-C-CHRG	Universal Charging Port, Snap-In module style, compatible with USB-C® devices, with Power Supply
18348	SS-USB-C-CHRG-NPS	Universal Charging Port, Snap-In module style, compatible without USB-C® devices, without Power Supply
17460	IT-USB-CHRG-W	USB A Universal Charging Port Wall Plate style with Power Supply, White
17461	IT-USB-CHRG-B	USB A Universal Charging Port Wall Plate style with Power Supply, Black
17216	IPS-D717S-BLK	USB A Universal Charging Port Single Ht. IPS Plate style with Power Supply, Black
17217	IPS-D717S-WHT	USB A Universal Charging Port Single Ht. IPS Plate style with Power Supply, White
17615	IPS-D717S-BLK-NPS	USB A Universal Charging Port Single Ht. IPS Plate style without Power Supply, Black
17616	IPS-D717S-WHT-NPS	USB A Universal Charging Port Single Ht. IPS Plate style without Power Supply, White
17587	SS-USB-CHRG-PS6	Remote USB power 6 port distribution module for FSR DC powered USB chargers with Power Supply

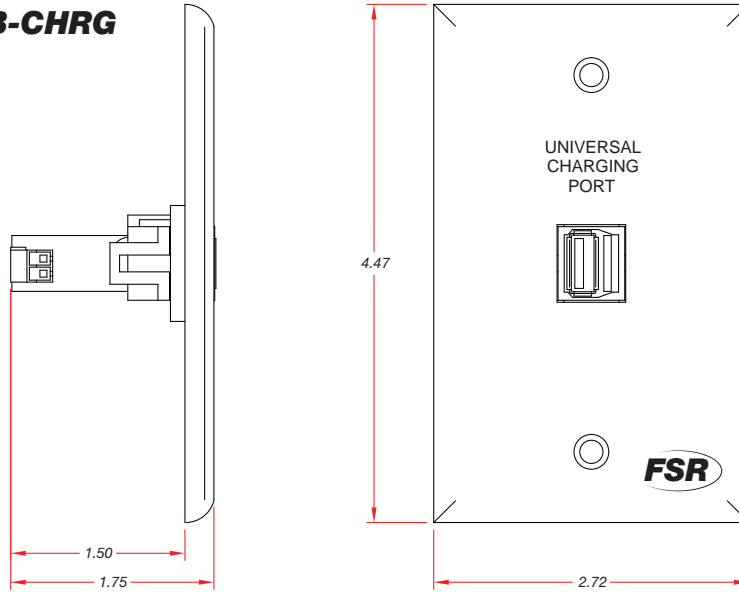
FSR Inc.

244 Bergen Boulevard, Woodland Park, NJ 07424
 Phone: 973.998.2300 · Fax: 973.785.4207
 Order Desk: 1-800-332-FSR1
 Web: www.fsrinc.com · E-mail: sales@fsrinc.com

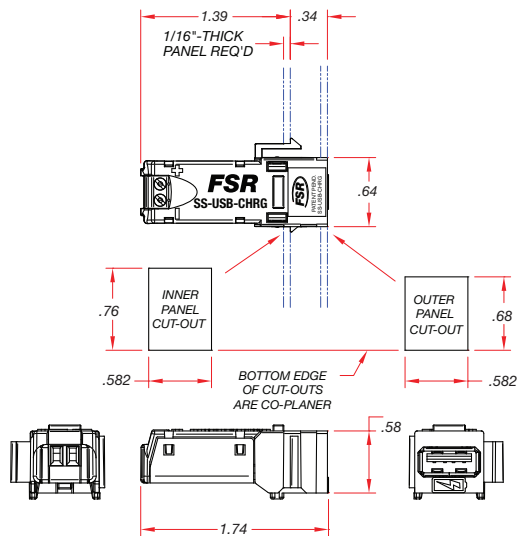
LIT1449F

DIMENSIONS

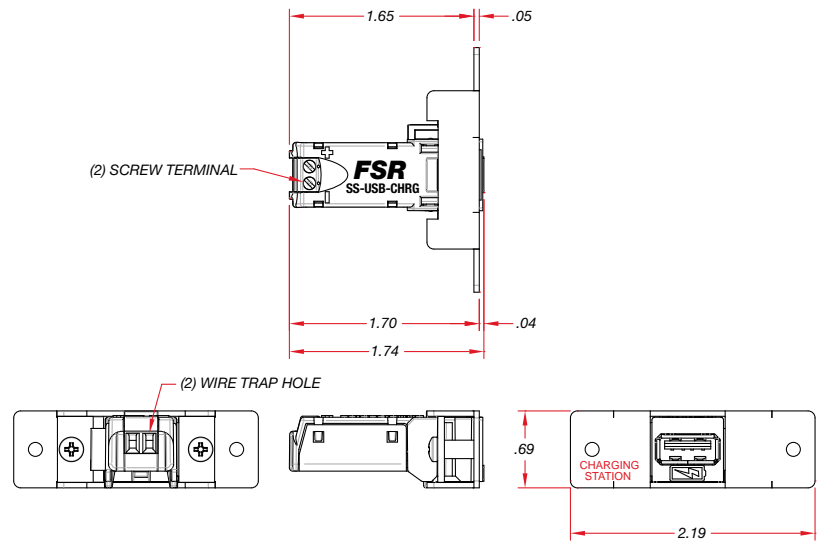
IT-USB-CHRG



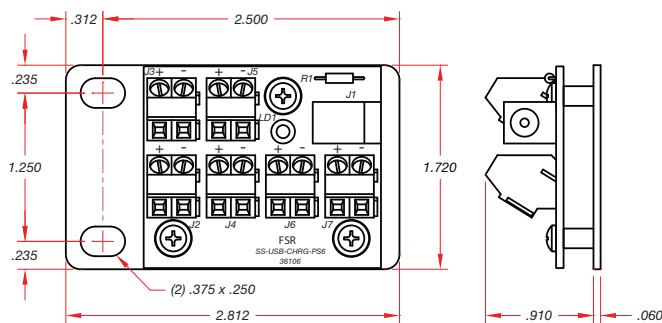
SS-USB-CHRG



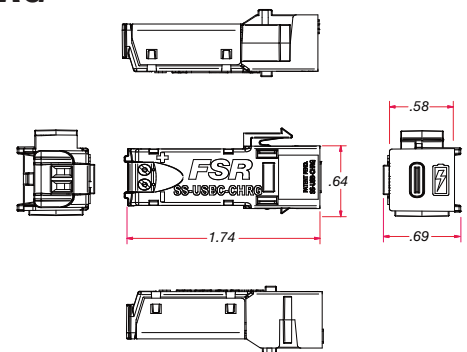
IPS-D717S



SS-USB-CHRG-P6S



SS-USB-C-CHRG



Specifications are subject to change without notice.
 © 2021 FSR, Inc. All Rights Reserved.
 USB Type-C and USB-C are registered trademarks of USB Implementers Forum, Inc. This product is not USB-C certified.
 43061



244 Bergen Boulevard, Woodland Park, NJ 07424
 Phone: 973.998.2300 · Fax: 973.785.4207
 Web: www.fsrinc.com · E-mail: sales@fsrinc.com