



PROTEUS™ EXCALIBUR



DATA SHEET



KEY FEATURES

- Powerful 0.8° Beam Angle
- 3.5° Beam Expander
- CMY Color Mix
- Dual overlapping prisms
- Ultra-wide 260mm / 10" Front Lens
- IP65 rating protects from water and dirt
- 4000h Long Life 550W Lamp
- Sky Motion System for powerful searchlight and skytracker animations

The **PROTEUS EXCALIBUR** is the newest member in the industry leading Proteus range of IP65 automated fixtures from Elation Professional. Excaltibur is the brightest IP65 fully featured beam fixture ever created with incredible light output from a surprisingly compact fixture body. Rivaling existing Xenon searchlights or skytrackers, the extremely narrow 0.8° Beam ensures the fixture cuts effortlessly through the sky and is visible at great distances. The intense beam of the **PROTEUS EXCALIBUR** projects from the ultra-wide 260mm front Lens as a massive column of light that stuns the audience.

A wide array of gobos and prism overlays allow animating the sky, and with its incredible light intensity all CMY colors remain strong and vibrant even when fully saturated. Beam control is provided through a precise internal focus lens, providing crisp projection without optical errors. Dual variable frosts allow to soften the beam when required. A remote-controlled Expander lens allows widening the beam to approximately 3.5 degrees. The fixture is ideally suited for theme parks, cruise ships, outdoor special events, large scale shows and concerts, and any situation where a massive beam or very powerful prism and flower effects are required. With its compact size and low power consumption the **PROTEUS EXCALIBUR** can be utilized in almost any application.

The **PROTEUS EXCALIBUR** includes the innovative Sky Motion system to operate the fixture as an impactful searchlight effect without the need for a dedicated lighting controller. Multiple fixtures can be interconnected, and with the simple assignment of IDs the fixture provides immediate access to a variety of movement patterns that are easily adjustable in size, speed, and color directly from the display. Comparable in output to large 2000 or 4000W Xenon fixtures the **PROTEUS EXCALIBUR** operates at a fraction of the power, supports a wide range of 100-240V, has a much smaller footprint, lower weight and is fully IP65 rated.

The Sky Motion system allows standalone operation for events and applications and is easy to set up and adjust directly from the display of the fixture even for "non-lighting" users and expands the usability of the fixture beyond traditional show lighting applications.

Specifications are subject to change without notice ©Elation Professional 04/19/2023

Elation Professional USA | 6122 S. Eastern Ave. | Los Angeles, CA. 90040
323-582-3322 | 323-832-9142 fax | www.elationlighting.com | info@elationlighting.com

Elation Professional B.V. | Junostraat 2 | 6468 EW Kerkrade, The Netherlands
+31 45 546 85 66 | +31 45 546 85 96 fax | www.elationlighting.eu | info@elationlighting.eu



PROTEUS™
EXCALIBUR



SPECIFICATIONS

SOURCE

Philips MSD Platinum 500 Flex 550W Lamp
Variable Lamp Power
Automated Lamp Hibernation with Instant Recovery

Up to 4,000 Hour Lamp Life*

*Test lab conditions. May vary depending on several factors including but not limited to: Environmental Conditions, Power/Voltage, Usage Patterns (On-Off Cycling), Control, and Dimming.

PHOTOMETRIC DATA

0.8° Beam Angle
1.6° Field Angle
3.5° Beam Expander Lens
20,000 Total Lumen Output
7000K. CRI 77+
335000 LUX @15m (31100 fc @ 49ft)
7500 LUX @100m (700 fc @ 330ft)

EFFECTS

Beam Expander
Focus
Dual Rotating Prisms and Prism Macros
Dual Frost Filter Hybrid Wash Effect
High Speed Mechanical Shutter and Strobe
Pan Angle: 540°/630°
Tilt Angle: 250°

COLOR

14 Dichroic Colors Including CTO and UV
Full CMY Color Mixing
GOBOS Interchangeable Rotating / Indexing
Glass Gobos
17 Static-Stamped Metal Gobos

CONTROL / CONNECTIONS

Single DMX Mode (26ch.)
Sky Motion Standalone mode for searchlight and skytracker animations
16-bit Pan, Tilt, and Dimming Control
Motorized Focus
DMX, RDM, Art-NET, and sACN Protocol Support
6 Button Touch Control Panel
Full Color 180° Reversible LCD Menu Display
Hibernation Mode (Power Save)
IP65 5pin DMX In/Out
IP65 RJ45 etherCON In/Out
Locking IP65 Power In

SIZE / WEIGHT

Length: 19.4" (493mm)
Width: 15.1" (383mm)
Vertical Height: 27.4" (697mm)
Weight: 108lbs (49kg)

ELECTRICAL / THERMAL

AC 100-240V - 50/60Hz
800W Max Power Consumption
14°F to 113°F (-10°C to 45°C)

APPROVALS / RATINGS

CE | cETLus | IP65 | FCC | UKCA



Specifications are subject to change without notice ©Elation Professional 04/19/2023
Elation Professional USA | 6122 S. Eastern Ave. | Los Angeles, CA. 90040
323-582-3322 | 323-832-9142 fax | www.elationlighting.com | info@elationlighting.com

Elation Professional B.V. | Junostraat 2 | 6468 EW Kerkrade, The Netherlands
+31 45 546 85 66 | +31 45 546 85 96 fax | www.elationlighting.eu | info@elationlighting.eu



PROTEUS™ EXCALIBUR



GOBOS | COLORS | ANIMATION WHEEL

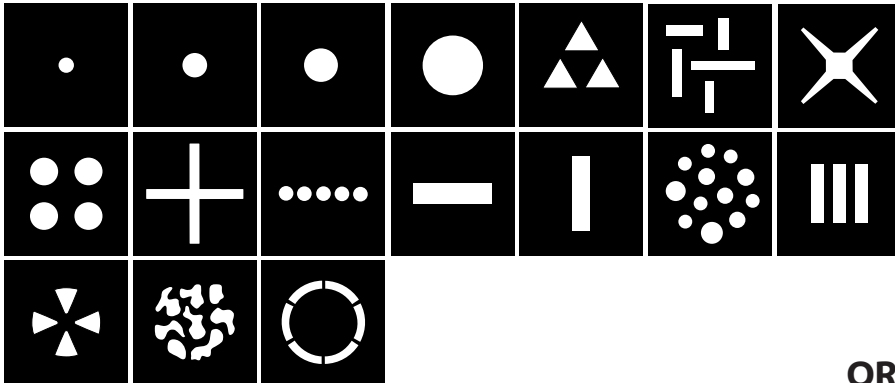
COLOR WHEEL



ROTATING GOBO WHEEL 1



FIXED GOBO WHEEL 2



ORDERING INFORMATION

| | |
|---------------|---|
| PRL546 | PROTEUS LUCIUS |
| PRL613 | PROTEUS LUCIUS WMG-HW |
| TRIGGER CLAMP | Heavy Duty Wrap Around Hook Style Clamp |
| STR527 | 5 ft. (1.5m) IP65 5pin XLR Cable |



Specifications are subject to change without notice ©Elation Professional 04/19/2023

Elation Professional USA | 6122 S. Eastern Ave. | Los Angeles, CA. 90040
323-582-3322 | 323-832-9142 fax | www.elationlighting.com | info@elationlighting.com

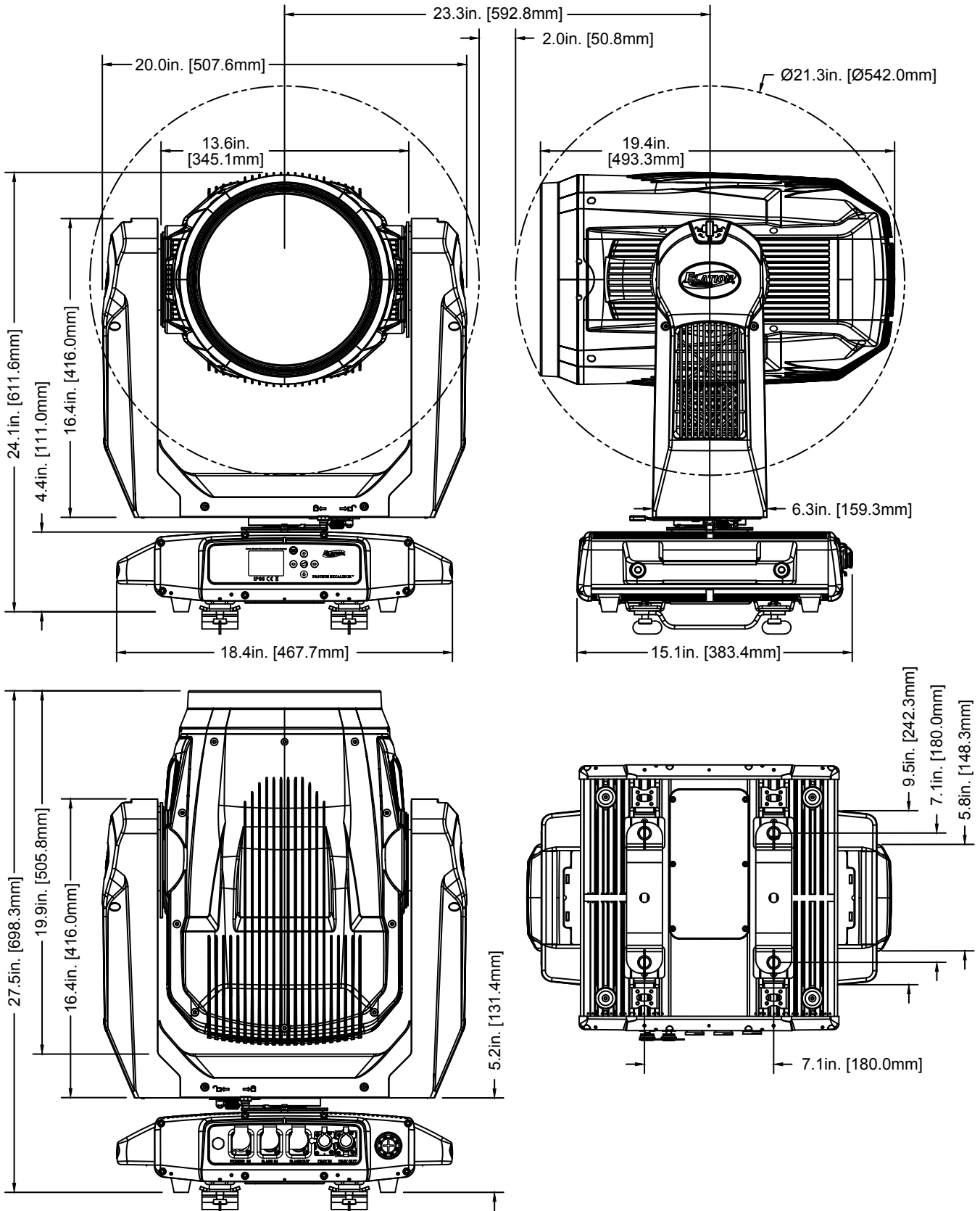
Elation Professional B.V. | Junostraat 2 | 6468 EW Kerkrade, The Netherlands
+31 45 546 85 66 | +31 45 546 85 96 fax | www.elationlighting.eu | info@elationlighting.eu



PROTEUS™ EXCALIBUR



UNIT DIMENSIONS





PROTEUSTM EXCALIBUR



FOAM IN-LAY DIMENSIONS

