



S-Series
S425 - S700

Instructions for Use
Manuel d'utilisation

FORTRESS

Table of Contents

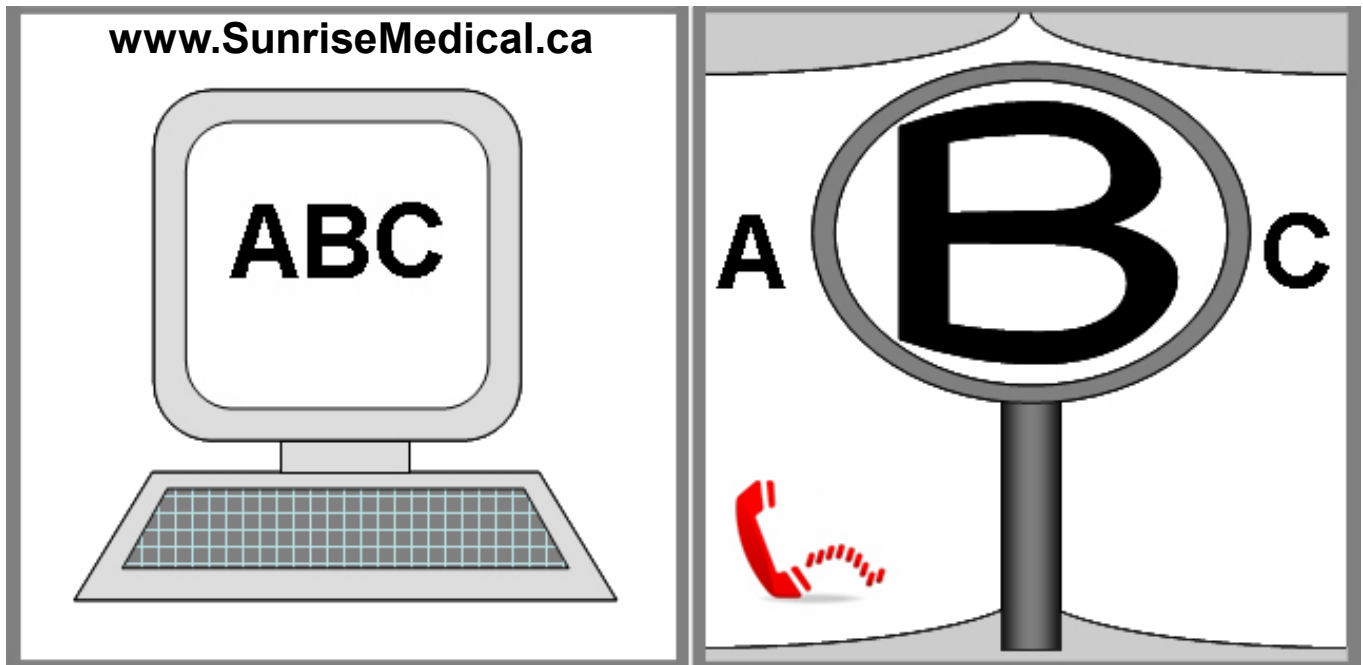
English Owner's Manual starting on page 4.

Foreword	5
Label Explanation / Word definitions	5
Use	6
Area of application	6
Features	7
Contents	8
1.0 Your Scooter	8
2.0 How to Use This Manual	9
3.0 Label Explanation/Definitions	9
4.0 Safety Information	10
5.0 Assembly & Options	16
6.0 Using The Scooter	22
7.0 Scooter Control System	26
8.0 Troubleshooting - Display	30
9.0 Batteries and Charging	32
10.0 Adjustments	35
11.0 Cleaning	36
12.0 Shipping and Storage	36
13.0 Disposal	38
14.0 Torque Settings	38
15.0 Specification Sheets	38
16.0 Guarantee	41
17.0 Service Advice/History	41
18.0 Service and Maintenance	42
19.0 Nameplate	45

Manuel d'utilisation en français débute à la page 46.

Avant-propos	46
Explication des étiquettes / Définitions des termes	47
Utilisation	48
Champ d'application	48
Caractéristiques	49
Sommaire	50
1.0 Votre scooter	50
2.0 Comment utiliser ce manuel	51
3.0 Explication des étiquettes / Définitions	51
4.0 Sécurité	52
5.0 Assemblage & Options	58
6.0 Après l'utilisation de votre scooter	64
7.0 Système de commande du scooter	68
8.0 Dépannage - Affichage	72
9.0 Batteries et recharge	74
10.0 Réglages	77
11.0 Nettoyage	78
12.0 Livraison et stockage	78
13.0 Enlèvement	80
14.0 Serrage dynamométrique	80
15.0 Feuilles produit (EN 12184 et ISO 7176-15)	80
16.0 Garantie	83
17.0 Révisions / Historique	83
18.0 Révision et entretien	84
19.0 Plaque signalétique	87





If you are visually impaired, this document can be viewed in PDF format at:
www.SunriseMedical.ca

For further information on the full specification and options and accessories,
please refer to the order form.

All information is subject to change without notification.

Please consult Sunrise Medical with any questions you may have.

 **DANGER!**

**IF YOU REQUIRE LARGE TEXT, SUNRISE MEDICAL
STRONGLY RECOMMENDS THAT YOU SEEK A CLINICAL
EYESIGHT ASSESSMENT BEFORE USING THIS PRODUCT.**

For the purposes of official communication, this product can be positively identified by referring to the serial number label located on the seat post of the scooter, and also on a duplicate serial number label attached to this owner's manual.

Foreword

Dear Customer,

We are very happy that you have decided in favour of a high-quality SUNRISE MEDICAL product.

This Owner's Manual will provide numerous tips and ideas so that your new scooter can become a trustworthy and reliable partner in your life.

We want you to be satisfied with our products and service. Sunrise Medical has been consistently working at continuously developing its product so, for this reason, changes can occur in our portfolio of products with regard to form, technology and equipment. Consequently, no claims can be construed from the data or pictures contained in this Owner's Manual.

The management system of SUNRISE MEDICAL is certified to ISO 9001, ISO 13485 and ISO 14001.



As the manufacturer, SUNRISE MEDICAL, declares that the scooters conform to the 93/42/EEC, amended by 2008/47/EC guideline.







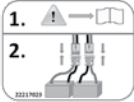
Please contact your local, authorized SUNRISE MEDICAL dealer if you have any questions regarding the use, maintenance or safety of your scooter.



In case there is no authorized dealer in your area, or you have any questions, contact Sunrise Medical either in writing or by telephone (contact addresses can also be found on the back page).

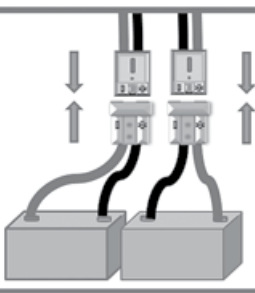
Distributed by:

Sunrise Medical Canada Inc.
237 Romina Drive, Unit 3
Concord, ON
L4K 4V3
Phone: 1-800-263-3390
Fax: 1-800-561-5834
www.SunriseMedical.ca

Label Explanation / Word definitions

Word	Definition
 DANGER!	Advice to the user of Potential Risk of serious injury or death if the advice is not followed
 WARNING!	Advice to the user of a potential risk of injury if the advice is not followed
 CAUTION!	Advice to user that potential damage to equipment may occur if the advice is not followed
NOTE:	General advice or best practice
	Reference to a related document
	This vehicle is NOT crash tested. This label is also located on the rear frame of the scooter next to the Anti-tip wheels.
	Secure with straps for transport. Do not travel on-board scooter
	Quick Start Guide

1.  → 

2. 

22217029

Quick Start Guide

See Sections:

5.0 Seat Removal

5.3 Batteries

Affix Serial Number Label Here

Use

Intended Use of Scooters:

They are intended for use in public places and similar locations where there are pavements, pedestrian paths or floors that have hard and firm surfaces. The safe limit for slopes and obstacles shall be observed.

They may NOT be used as vehicles on the roads. They are intended for a user who has difficulty in walking or limited mobility and is for their own personal use.

The maximum user weight limit, includes both the user and any weight of accessories fitted to the scooter. It is marked on the serial number label, which is affixed to the seat post.

Warranty coverage can only be applied if the product is used under the specified conditions and for the intended purposes. No unauthorized modifications should be made to the scooter. Only approved parts and accessories shall be fitted.

The intended lifetime of the scooter is 5 years. Please DO NOT use or fit any 3rd party components to the scooter unless they are officially approved by Sunrise Medical.

Area of application

The electrical power, simple steering and automatic braking make the scooter suitable for people who have limited mobility due to, for example:

- Joint pain and/or stiffness due for example to arthritis or rheumatism
- Difficulty breathing due to respiratory or heart conditions.
- Difficulty walking due to stroke
- Certain cases of obesity

The following should be taken into consideration in relation to the provision of the scooter and any specific options available:

- The user's body size and weight including the distribution of body weight.
- The mass of any carry on or stowed items should be added to the user's body mass and together should not exceed the maximum load of the scooter.
- The user's physical and psychological constitution.
- The age of the user, their living conditions and the environment in which the scooter is going to be used, e.g. home surroundings and the intended area of use.

If in doubt, please consult a health care professional to ensure the user is not exposed to unacceptable risks. A risk assessment may be required in certain circumstances.

Sunrise Medical is ISO 9001 certified, which ensures quality at all stages of the development and production of this scooter.



Important:

Do not use your scooter until this manual has been read and understood.

Features

Features of Fortress S-Series Scooters:

Due to their modular design, simplicity and wide range of adjustments, the Fortress S-Series Scooters are a perfect choice for easy service, refurbishment and recycle requirements.

As a part of our ongoing product improvement initiative, Sunrise Medical reserves the right to change specifications and design without notice. Further, not all features and options offered are compatible with all configurations of the scooter.

All dimensions are approximate and may be subject to change.

1. Control Panel
2. Wig-Wag Throttle
3. Adjustable Seating
4. Flip-up Armrests
5. Free-wheel Lever
6. Battery Cover
7. Alloy Wheels
8. Foot-board
9. Front Bumper
10. Basket
11. LED Lights



Contents

Foreword	3
Label Explanation / Word definitions	3
Use	4
Area of application	4
Features	5
Contents	6
1.0 Your Scooter	6
2.0 How to Use This Manual	7
3.0 Label Explanation/Definitions	7
4.0 Safety Information	8
5.0 Assembly & Options	14
6.0 Using The Scooter	20
7.0 Scooter Control System	24
8.0 Troubleshooting - Display	28
9.0 Batteries and Charging	30
10.0 Adjustments	33
11.0 Cleaning	34
12.0 Shipping and Storage	34
13.0 Disposal	36
14.0 Torque Settings	36
15.0 Specification Sheets	36
16.0 Guarantee	40
17.0 Service Advice/History	40
18.0 Service and Maintenance	41
19.0 Nameplate	44

NOTE: If you have any questions about the use, maintenance or safety of your scooter, please contact your local approved Sunrise Medical service agent. If you do not know of an approved dealer in your area or have any other questions please write or telephone:

Distributed by:

Sunrise Medical Canada Inc.
237 Romina Drive, Unit 3
Concord, ON
L4K 4V3
Phone: 1-800-263-3390
Fax: 1-800-561-5834
www.SunriseMedical.ca

NOTE: Please keep a note of your local service agent's address and telephone number in the space below. In the event of a breakdown, contact them and try to give all relevant details so they can help you quickly.

DEALER ADDRESS/STAMP



1.0 Your Scooter

1.1 PRODUCT INFORMATION:

We at Sunrise Medical want you to get the best out of your Fortress S-Series scooter. This Owner's Manual will familiarize you with the scooter and its features. It contains hints on everyday usage and general care in addition to information on the high quality standards which we adhere to and details about the guarantee.

Your scooter should be delivered ready for your use; there are a wide range of accessories available for the scooter. For further information about these you should contact your Sunrise Medical authorized dealer.

Your scooter will reach you in excellent condition having been personally inspected before leaving our factory. Following the guidelines for maintenance and cleaning your scooter will maintain its first class condition and give you complete satisfaction.

This scooter is designed for comfort, safety and durability and has been exhaustively researched and tested by our experts. The Fortress S-Series S425 is classified as a category B vehicle and the S700 as a category C under the European scooter standard EN 12184.

It is intended for the use of people of all ages who may have difficulty walking distances or for periods of time. It is ideal for indoor, (S425), shopping malls and outdoor use, (S700) and suitable for users up to 160 kg for S700 model and 150 kg for S425 model. Variation in load weight can affect performance. The scooter is designed to be driven on paved ground but should not be driven through mud, water, snow or loose unstable ground. If you are in any doubt as to the suitability of the power scooter, contact your local Sunrise Medical approved supplier for clarification, prior to commencing use.

NOTE: Using your scooter on walk-ways and paved areas may be subject to the applicable legal requirements of local traffic laws.



It is very important to read the relevant section of the owner's manual when making any minor adjustments. Consult the Technical Manual or your local Sunrise Medical authorized dealer for more complex adjustments.

NOTE: Sunrise Medical recommends, as a safeguard, that you review the various insurance policies available for scooter users.

2.0 How to Use This Manual

2.1 INTRODUCTION:

The scooters shown and described in this manual may not be exactly the same in every detail as your own model. However, all instructions are still entirely relevant, irrespective of detail differences.

NOTE: The manufacturer reserves the right to alter without notice any weights, measurements or other technical data shown in this manual. All figures, measurements and capacities shown in this manual are approximate and do not constitute specifications.

- Information regarding the continued safe use of your product, such as product safety notices or recalls (also known as FSN/FSCA Field Safety Notice/Field Safety Corrective Action) may be issued by Sunrise Medical as required. These can be accessed on the Sunrise Medical web site (Safety Notifications). The information will also be provided to the organization which supplied your product in order that any required actions can be implemented. It is important that you keep this organization updated with any changes in your contact details or if you no longer use this product. Please pass this manual on to any subsequent users of the product.

2.2 GUARANTEE:

Please fill in the warranty card and return it to us to register your product.


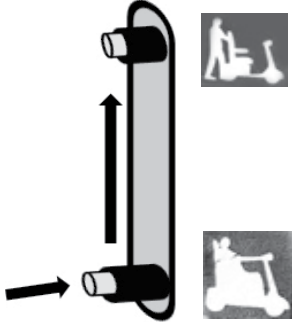

2.3 WARRANTY-REPAIR-SERVICE CONDITIONS:

- The repair or replacement will be carried out by an authorized Sunrise Medical dealer/service agent.
- Should your scooter require attention under these arrangements, notify the designated Sunrise Medical service agent immediately giving full information about the nature of the difficulty. Should you be operating the scooter away from the locality of the designated Sunrise Medical service agent, work under the "Warranty Conditions" will be carried out by any other service agent designated by the manufacturer.
- Should any part of the scooter require repair or replacement, as a result of a specific manufacturing or material defect, within **twenty four months**, from the date on which the possession of the scooter was transferred to the original purchaser, and subject to it remaining within that ownership, the company will supply free of charge replacement, (or repaired), parts, to the authorized dealer/service agent. If you are unsure who your local servicing agent is, please contact Sunrise Medical using the contact details on the previous page.
- Any repaired or replaced part will benefit from these arrangements for the balance of the warranty period applicable to the scooter.
- Parts replaced after the original warranty has expired are covered for a further six months.
- Items of a consumable nature will not generally be covered during the normal warranty period, unless such items have clearly suffered undue wear as a direct result of an original manufacturing defect. These items include amongst others; upholstery, tires, inner tubes, batteries, motor brushes etc.

- The above warranty conditions apply to all scooter parts for models purchased at full retail price.
- Under normal circumstances, no responsibility will be accepted where the scooter has required repair or replacement as a direct result of,
 - The scooter or part not having been maintained or serviced in accordance with the manufacturer's recommendations, as stated in the Owner's Manual and/or Service Manual.
 - Failing to use only the specified original equipment parts.
 - The scooter or part having been damaged by neglect, accident or improper use.
 - The scooter or part having been altered from the manufacturer's specifications, or repairs having been attempted prior to the service agent being notified.
- Warranty can only be provided if the product is used under the specified conditions and for the intended purpose.
- Warranty does not include the cost of labour to repair, remove or install parts.

The expected lifetime is 5 Years.

3.0 Label Explanation/Definitions

LABEL	MEANING
	This label shows the model number, serial number, max weight and manufacturer details.
	This label shows the position of the free-wheel lever. FREE-WHEEL ↑↓ DRIVE
	This label shows the location of the power ON and OFF for the scooter and 'read the user manual' warning.

4.0 Safety Information

If you follow the instructions given in this manual, you will enjoy many trouble-free years of use.

4.1 GENERAL WARNINGS:

WARNING!

- The S700 is primarily intended for outdoor use, it is therefore larger than the S425. Due to the increased dimensions, when using the S700 within the confines of a building, please ensure that the building has suitable emergency escape routes capable of allowing free access for you and your scooter.
- This scooter should NOT be used on public streets or roadways.
- Load data always refers to one single person as operator.
- The scooter is authorized for use by one person.
- Do not operate your scooter whilst under detrimental influence of alcohol, drugs or bouts of severe/acute illness .
- Please observe all relevant rules and regulations pertaining to pedestrians and road users, at all times.
- Always ensure that your scooter is switched off before attempting to mount or dismount.
- Always ensure that you are able to operate all controls from a comfortable position. Paying attention to your posture is essential to ensure your continued comfort and well being.
- Always make sure that you can be seen clearly, especially if you intend using your scooter in poor light.
- Switch on the scooter lights to make yourself visible when there are low levels of light, day or night.
- The scooter has been built to match the needs of the majority of users. If a personal risk assessment highlights specific needs, the scooter may need to be adjusted and/or reprogrammed.
- Do not let children or others use your scooter.
- Do not lift the scooter by any detachable parts such as seat, arm rests, etc.
- Do not attempt inclines when any of the following accessories are fitted, rear storage bag, rear mounted wheelchair/walker holder or oxygen bottle holder, as they may cause the scooter to become unstable.
- Do not attempt to ascend or descend escalators or stairways.

CAUTION!

4.2 FEATURES AND OPTIONS:

Some of the options shown in this manual may not be available in your country and some features may be restricted (e.g. max. speed, user weight limit, range, etc.).



Any limitations are marked on the order form, in the technical manual and in this owner's manual. For further information please consult your Sunrise Medical authorized dealer.

DANGER!

4.3 PRELIMINARY CHECKS:

- Always check that Drive is selected before setting the scooter in motion.
- The scooter emits an audible warning when Free-wheel is selected and will not allow the scooter to drive.
- You should not try to maneuver at full speed.
- If you have to make a sudden turn, slow down first by releasing the control lever or the speed control feature. This is very important if you are going down a hill.
- Failure to slow down during a maneuver may result in your overturning the scooter.
- Always check that the scooter is switched off before trying to get on or off.
- Always check that you can be seen clearly, especially if you are using the scooter in conditions of low visibility.

4.4 EMERGENCY BRAKING:

WARNING!

Turning the ON-OFF key to the OFF position during driving will cut the power and immediately apply the brake. This method of stopping is not recommended except for emergencies, since the stop will be extremely sudden.

CAUTION!

Routine use of emergency braking will cause damage to your scooter.

4.5 TIRES:

The tires of a scooter suffer wear depending on how much the scooter is used. Check them regularly, especially for inflation pressure, according to the service instructions in this manual.

Each tire pressure should be:

S425 = 2.7 bar (40 P.S.I.)

S700 = 2.7 bar (40 P.S.I.)

See Section 5.26 for solid tire information.

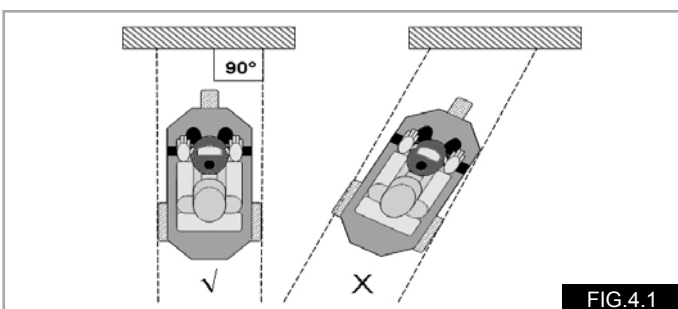
DANGER!

Never inflate the tires with a service station air pump. It is recommended that you use a manual pump or a pump fitted with a pressure regulator (manometer).

4.6 CURBS, (FIG.4.1):

DANGER!

- Be aware of other vehicles and pedestrians when curb climbing.
- Do not attempt to mount curbs in excess of 50 mm (2"), for S425 or 100 mm (4") for S700.
- Always mount and dismount curbs with caution and directly facing the curb.
- Do not attempt to mount or dismount curbs in reverse.
- Do not attempt to descend from, a curb of more than 50 mm height.
- Do not attempt to ascend high curbs, steep slopes or cambers due to the risk of falling out of the scooter or tipping over.
- Do not attempt to ascend any curb in the vicinity of a drain cover, uneven surfaces, or gravel covering.
- Do not attempt to climb or descend any curb at an oblique angle. Approach only at an angle of 90° with at least 500 mm (20") run-up.
- Do not attempt curb climbing/descents when any of the following accessories are fitted, rear storage bag, rear mounted wheelchair/walker holder or oxygen bottle holder, as they may cause the scooter to become unstable.



4.7 TRANSPORTATION IN VEHICLES:

This scooter is not suitable to use as a seat in a vehicle.



Not crash tested

DANGER!

A scooter secured in a vehicle will not provide the equivalent level of safety and security of a vehicle seating system. It is always recommended that the user transfers to the vehicle seating.

NOTE: For transportation by road, rail, sea or air please refer to Section 12, Shipping and Storage.

4.8 FREE-WHEEL DEVICE, (FIG.4.2):

The scooter has two modes of movement:

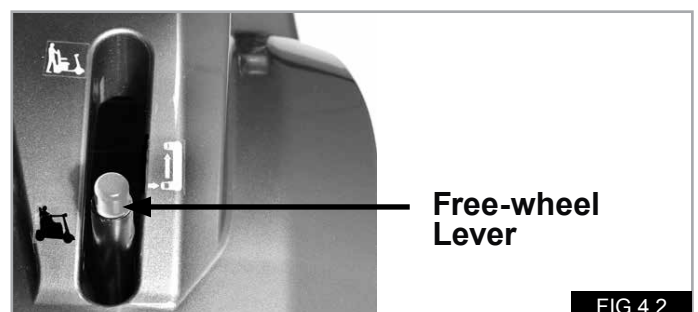
Drive or Free-wheel.

- DRIVE = All movement, including braking, is exclusively controlled by operation of the electronic control system.
- FREE-WHEEL = Movement is by manual means, e.g. pushed or by gravity, (pot holes, curbs, hills or inclines, etc).

Push the red knob down and forward to put the scooter into free-wheel, (FIG.4.2).

DANGER!

- Only use the free-wheel function to push the scooter manually from one spot to another.
- Keep in mind that while the free-wheel system is in operation, the scooter is without an automatic braking system.
- Selecting free-wheel causes a loud audible warning beeping tone from the scooter horn.
- For safety reasons the scooter can no longer be moved using the control levers.
- Do not operate the free-wheel device while seated in the scooter
- The free-wheel device should only be operated by a person who has the strength and agility to be able to fully maneuver the scooter safely, during free-wheel.
- Always put the scooter back in drive.
- Always check that drive is engaged before using the scooter.
- Do not disengage the free-wheel on or near a slope.
- Do not allow yourself to be pushed by others, or towed, while the scooter is in free-wheel.
- Do not allow clothing or items such as bags etc, to come into contact with the free-wheel device, particularly any items hanging or being carried on the back of the scooter seat



WARNING!

4.9 EMC - RADIO TRANSMITTING DEVICES:

When operating two-way radio, walkie-talkies, C.B, amateur radio, public mobile radio and other powerful transmitting devices the scooter should be brought to a halt and turned off. The operation of cordless, mobile telephones and cell phones including hands-free devices is permitted but if abnormal driving performance of the scooter is encountered then the scooter must be brought immediately to a halt and turned off.

NOTE: The electrical systems of the scooter may disturb the performance of alarm systems in retail shops.

DANGER!

4.10 SHARP TURNS:

Full speed turns should not be attempted. If you need to turn sharply you must reduce your speed with the control panel speed setting. This is particularly important when travelling across or down a slope. Disregarding this advice could lead to your scooter tipping over.

DANGER!

4.11 WEIGHT LIMIT:

- The user, plus options and accessories, plus items carried should never exceed the total weight as listed in Section 1.1 .
- Never sit in the scooter while weight training. Exceeding the weight limit is likely to damage the seat, frame or fasteners and may cause severe injury to you or others from scooter failure.
- Exceeding the weight limit will void the warranty.
- Do not hang shopping bags from the handlebars as they could swing and cause loss of steering control.

4.12 HOT/COLD SURFACES:

WARNING!

After prolonged use, the drive unit motors will produce heat, which is radiated through the motors' outer casing.

- Do not remove the rear drive unit battery cover for at least 30 minutes after using the scooter.
- Do not touch the motors' outer casing for at least 30 minutes after using the scooter, to allow it to cool.
- Not only motors can become hot during the operation of the scooter, but the seat upholstery material and armrests may also heat up when standing in the sun.
- Be aware that in extremely cold weather, exposed metal parts can present a freeze burn hazard, particularly if the hands are wet.

4.13 ROAD CAUTION:

Please show the utmost consideration for pedestrians and other road users.

DANGER!

- Remember that the last thing a car or truck driver expects to see is a scooter driving off the curb into the road.
- If in any doubt, do not risk crossing the road until you are certain that it is safe.
- When crossing roads, do so as quickly as possible; there may be other traffic.
- Be seen! Always wear something bright such as light coloured clothing, a reflective or day glow vest.
- To improve driver visibility, it is recommended to use a safety flag.
- At night, in dull conditions or in poor visibility, always use the lights, particularly when crossing the road.
- Obey all of the rules for pedestrians and traffic.
- Remember, when crossing the road you are a pedestrian.
- Use the footpath with the speed control set at the appropriate speed, (less than 4 mph/6 kph).
- Do not hang bags off the handle bars or tiller adjustment lever.

4.14 ADVERSE CONDITIONS:

DANGER!

- Be aware that when driving your scooter in adverse conditions, e.g. on wet grass, mud, ice, snow or other slippery surfaces, you may experience a reduction in the grip and traction of your scooter. We recommend you take extra precautions in these conditions, particularly on hills and slopes. Your scooter could become unstable or skid causing possible injury.

DANGER!

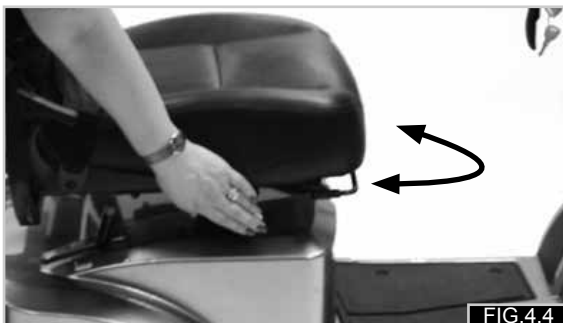
When you are using a powered scooter or wheelchair, take extra care with loose or long items of clothing. Moving parts, such as wheels, can be potentially dangerous or even fatal if clothing becomes entangled.

NOTE: Extreme variances in temperature may trigger the self protect mechanism in the control system. If this occurs the control system will temporarily shut down to prevent damage to the electronics or the scooter.

4.15 RAMPS:

DANGER!

- When using a ramp for access, please ensure that it is capable of taking the combined weight of the scooter and yourself.
- When a ramp is being used, please ensure that the ramp is stable and properly secured.
- Always approach the ramp head-on and exercise caution.
- Please ensure the ramp is suitable for the purpose you are using it for.
- Maximum ramp angle: S700 = 10° (18%), S425 = 8° (14%)
- Follow all the user instructions supplied with the ramp.
- Be aware that accessories attached to the scooter, may affect the overall stability.
- Do not attempt to use ramps when any of the following accessories are fitted, rear storage bag, rear mounted wheelchair/walker holder or oxygen bottle holder, as they may cause the scooter to become unstable.



4.16 TRANSFER TO AND FROM THE SCOOTER

Mounting your scooter

1. Ensure that the key is turned to the off position.
2. Stand at the side of the scooter and lift the nearest arm rest, (FIG.4.3).
3. Push the seat rotate lever forwards and rotate the seat until it faces you, (FIG.4.4 - 4.5).
4. Make sure that the seat is locked securely into position.
5. Position yourself comfortably in the seat (FIG.4.6).
6. Push the seat rotate lever forwards and rotate the seat until facing forward (FIG.4.7).
7. Make sure that the seat is locked securely into position and the arm rest is down, (FIG.4.8).
8. Ensure that your feet are placed firmly on the foot board of the scooter and that you can reach all the controls comfortably, (FIG.4.8).



Dismounting your scooter

1. Bring your scooter to a complete stop.
2. Make sure that the key is turned to the off position.
3. Push the seat rotate lever forwards and rotate the seat until you are facing the side of the scooter, (FIG.4.6).
4. Make sure that the seat is locked securely into position and that both feet are on the ground.
5. Carefully get out of the seat and stand by the side of your scooter, (FIG.4.3).
6. You may leave the seat in this position or return it to facing forward.



4.17 ANTI-TIPS:

WARNING!

- Ensure the anti-tips are fitted before using the scooter.
- Ensure that anti-tips are not damaged or worn before using your scooter.
- Attendants must be aware of the location of the anti-tips to prevent feet being trapped underneath causing injury.
- Do not allow adults or children to stand on the anti-tips, or any other part of the scooter as this could cause the scooter to become unstable.

4.18 USE ON A SLOPE:

Your scooter has been designed and tested to allow its use on slopes or gradients of up to: S700 = 10° (18%)
S425 = 8° (14%).

To improve stability lean forward when driving uphill. Set the seat to its lowest height in the furthest forward position and set the back upright. When travelling downhill sit in an upright position or recline the back rest slightly to compensate.

WARNING!

- Do not exceed the maximum slope of: S700 = 10° / S425 = 8°.
- Stop and return the back rest to an upright position before attempting to climb a slope. Failure to do this may cause the scooter to become unstable.
- If you are in any doubt about the capabilities of your scooter on a slope then do not attempt to drive up or down the slope/curb; try to find an alternative route.
- Wherever possible always travel up or down the slope directly facing the slope, (FIG.4.9).
- Never attempt a non-stop "U" turn when going up or down steep slopes, (FIG.4.9).
- Be aware that accessories attached to the scooter, may affect the overall stability.

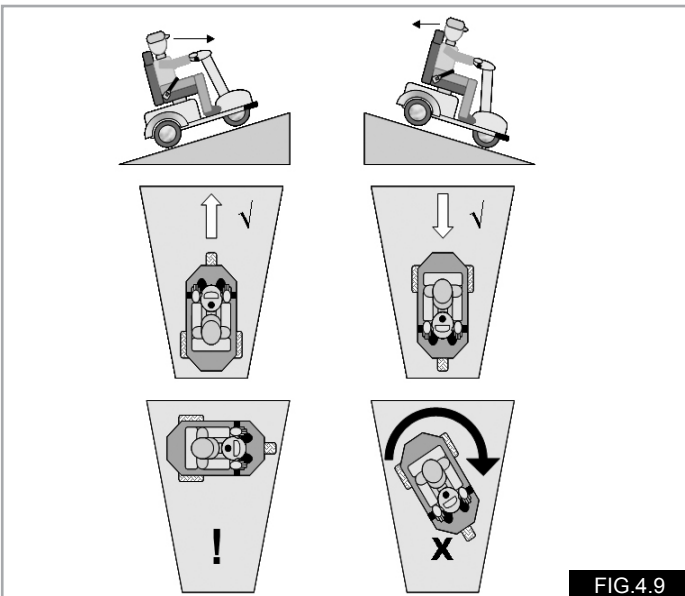


FIG.4.9

4.19 GRADIENTS: ASCENTS:

When going uphill, keep the scooter moving if it is safe and clear to do so. Maneuver by using gentle tiller and throttle movements. The seat should be set to its lowest height in its furthest forward position and the back should be upright.

WARNING!

- If you have stopped on a hill, you should start off again slowly.
- Avoid sudden acceleration or hard braking.
- Avoid hard turns.
- Be aware that stopping distances may increase when traveling down hill.

4.20 GRADIENTS: DESCENTS:

WARNING!

- On descents, it is important not to let the scooter accelerate beyond its normal level of ground speed.
- It is safer to proceed slowly down steep descents (below the speed of 3 mph/5 kph) and stop, if any anxiety arises regarding the descent.
- If the scooter picks up speed, release the control lever to stop all forward movement, then restart slowly and do not allow the speed to increase beyond a comfortable level.

4.21 LAP BELT (IF INCLUDED):

Before using your scooter ensure the lap belt is worn and correctly adjusted before use.

The lap belt is fitted to the scooter as shown in the fitting photographs, (FIG.4.10 - 4.15). It is important that the belt is fitted correctly and is not twisted.

To lock the belt:

Pull the buckle over your lap and push firmly into the slot in the receiver, (1).

Ensure that there is no excess belt material, and the belt is tensioned correctly. (FIG.4.10)

To release the belt:

Push the red button marked 'PRESS' to release the belt, (2), (FIG.4.10).

DANGER!

- The lap belt is fixed so that the straps sit at an angle of approximately 45°, and when correctly adjusted should not allow the upper body to slip down in the seat, (FIG.4.11)
- The lap belt is not suitable for use when the scooter and occupant are transported in a vehicle.

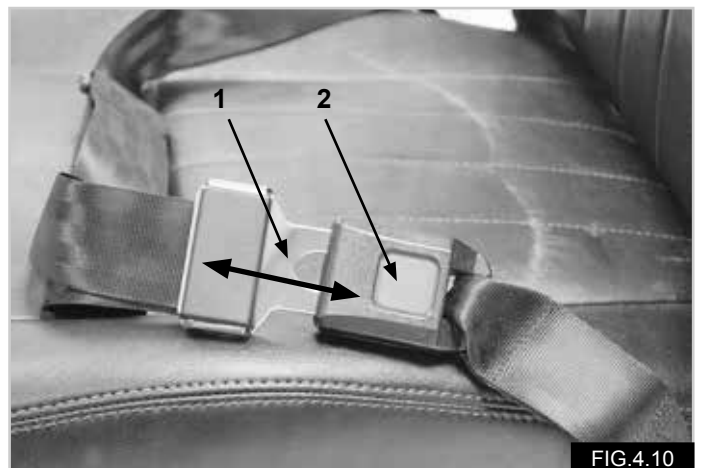


FIG.4.10

- The lap belt must be checked on a daily basis to ensure it is adjusted correctly and it is free from any obstruction or adverse wear.
- Failure to make sure that the lap belt is secure and adjusted prior to use could cause serious injury to the user. e.g. too loose a strap may allow the user to slip down in the seat and risk suffocation.

Maintenance:

- Check lap belt, and securing components, at regular intervals for any sign of fraying or damage.
- Replace if necessary.
- Clean the lap belt with warm soapy water and allow to dry.
- The lap belt should easily allow a hand width of space between the body and the belt, (FIG.4.12).
- Sunrise Medical also recommend that the fit of the belt is checked on a daily basis to reduce the risk of the end user inadvertently re-adjusting the belt to an excessive length.
- If in doubt about the use and operation of the seat belt then ask your healthcare professional, dealer, or carer for assistance.

For your comfort, the lap belt must be correctly fitted to the scooter. If you are unsure about the fitting or operation of this option, please contact your approved Sunrise Medical dealer.



FIG.4.12



FIG.4.13



FIG.4.14

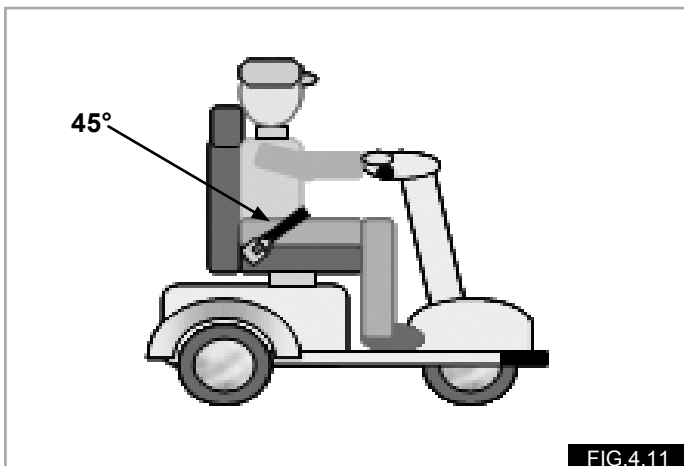


FIG.4.11

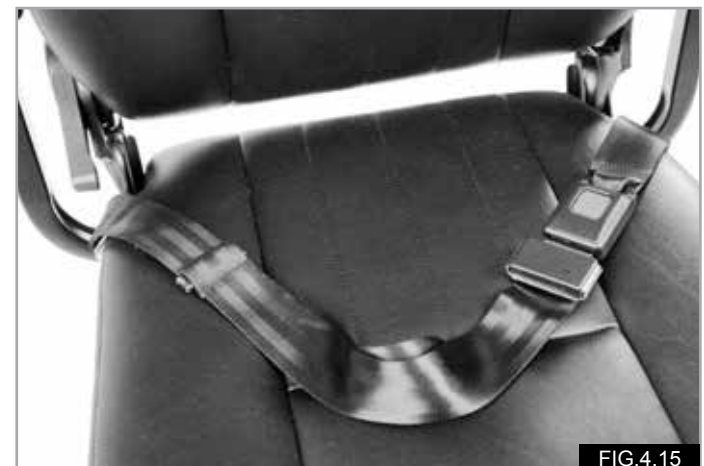
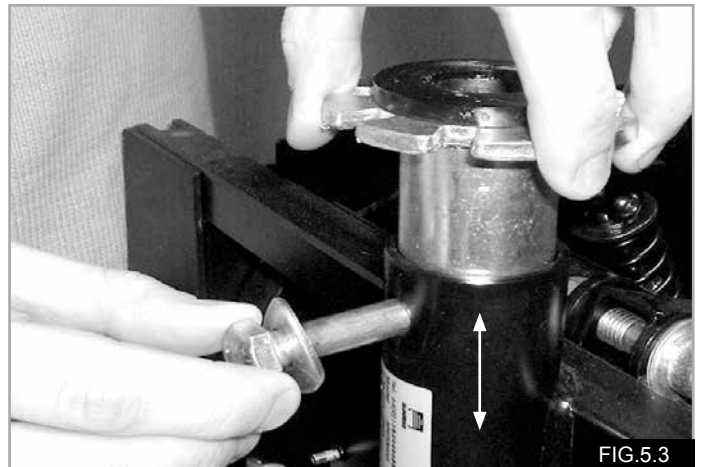


FIG.4.15

4.22 SAFETY CHECKS

WARNING!

- The scooter driver plus items should never exceed the total weight listed in section 1.1.
- Before you use the scooter, check that it is not in free-wheel and that all of the controls are functioning correctly.
- If you discover any scooter malfunction, take it to be repaired or reset. Your dealer can help you to find the fault and correct it.
- Make sure batteries are charged. Do not use the scooter when battery is low. The scooter may come to a sudden, unexpected stop.
- Be aware that there is a point during every transfer when the scooter seat is not below you.
- Use extra care when you drive your scooter in reverse. If one of the wheels hits an obstacle, you could lose control of the scooter or fall out.
- Never use your scooter on a slope unless you are sure you can do so without losing traction.
- When travelling along, always ensure the backrest is upright and the seat faces forwards.
- Lift the scooter only by non-detachable parts of the main frame.
- Never short-circuit electrical connections as you could cause an explosion.
- Do not use the scooter if any of the tires are damaged or under/over-inflated.
- When using mobile phones you should switch the scooter off.
- Do not smoke while on-board the scooter.
- If you take a break from driving, but remain seated in the scooter for more than just a moment, switch the scooter off at the ignition key.



5.0 Assembly & Options

5.1 SEAT ADJUSTMENTS

WARNING!

Observe correct lifting techniques at all times when lifting components over 10 kg/22 lbs.

Flip Up Armrests, (FIG.5.1). By pulling up on the front end of either armrest, the armrest will flip back for easy transfer on and off of your scooter.

Adjusting the Armrest Width, (FIG.5.1). Loosen the two hand wheels, (A) and pull out the armrests to the desired width. Tighten the hand-wheels firmly, (A).



Removing the Armrests, (FIG.5.1).

Loosen the two hand wheels, (A) and pull the armrests completely out of the receiver assembly. Store in a safe place

Seat Rotate Lever (FIG.5.2): This is found under the right side of the seat. Push it forwards to allow the seat to rotate 360 degree and release to lock in any 45 degree position desired.

Seat Height Adjustment: (FIG.5.3) The seat post is height adjustable, providing 3 height positions. Carefully unscrew the bolt and nut, and insert into desirable position and tighten nut to a torque value of 25 Nm.

Sliding Mechanism (FIG.5.4): This allows forward and backward movement of the seat. Pull up lever found on the right of the seat and use legs and body to move to the required position and release lever.

Seat Removal (FIG.5.5 - 5.8)

1. Push the seat rotate lever forwards and turn seat 45°.
2. Stand behind the seat, flip up the arm rests and fold the backrest forward by lifting up the backrest adjustment lever.
4. Place hands on either side of seat base, push the seat rotate lever forwards and lift the seat vertically keeping back posture upright. Bend the knees if required.

WARNING!

The seat is heavy, (35 kg/77 lbs.). Please seek assistance.



FIG.5.6



FIG.5.7

5.2. ANTI-TIP WHEELS:

These are factory fitted and should not be removed. The anti-tip assembly is bolted to the rear frame of the scooter, (FIG.5.8).

WARNING!

Never use the scooter without the anti-tip wheels fitted.




FIG.5.5



FIG.5.8

5.3 BATTERIES:

 Read section 9.0 of this manual for additional battery and charging information.

DANGER!

- Do not smoke near, or expose the batteries to direct heat (i.e. naked flame, gas fire).
- Do not attempt to change the fuses yourself.
- Do not attempt to by-pass the fuse as this would be very dangerous and could cause a fire.
- If you suspect a fault, contact your Sunrise Medical authorized dealer as soon as possible.
- Do not short circuit the battery terminals. Remember tools, jewelry, etc. can conduct and if dropped across the battery terminals may cause severe burns and/or explosion!
- Ensure the battery terminal covers are fitted.
- Batteries are heavy. Use correct lifting techniques when removing them from the scooter.
- Always use the handles provided to lift the batteries.
- Always refit the retaining bar after refitting or replacing the batteries.

Battery Removal:

1. Remove the seat (FIG.5.5 - 5.8 previous page)
2. Remove the battery cover by unscrewing the three hand wheels and lifting it off. Note: Please disconnect the plugs for rear lights, (FIG.5.9 - 5.10)
3. Pull the two halves of the plastic battery connector plugs apart, (FIG.5.11).
4. If replacing the batteries or battery looms, pull back the terminal cover and disconnect battery terminals, using an 11 mm wrench (FIG.5.12).
5. Remove or release the battery retaining straps.
6. Bend knees with battery positioned centrally in front of you, rest your forearms on your knees for support (FIG.5.13).
7. Grab battery handle with both hands (FIG.5.13).
8. Lift vertically by straightening legs, keeping back posture upright (FIG.5.14).
9. Move the battery to a safe place, keeping back posture upright and bending knees when setting it down.

Battery Weights:

Battery Type		Total Weight*
55 Ah @ 20 hrs.	S425	36 kg (80 lbs.)
75 Ah @ 20 hrs.	S700	48 kg (105 lbs.)

*Exact weight is dependent on the specific battery type used.



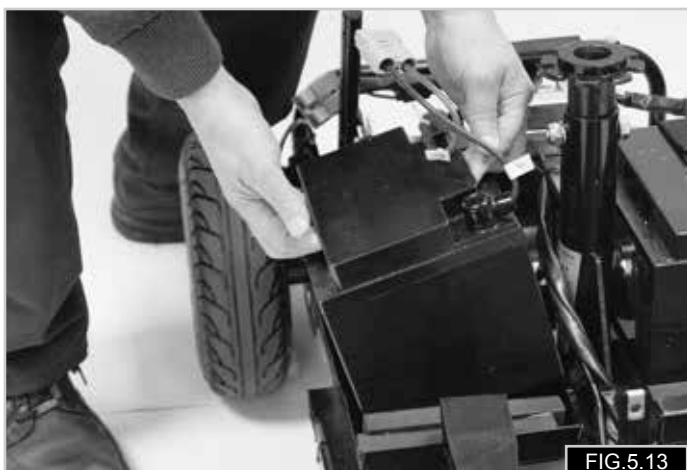


FIG.5.13



FIG.5.14

**5.4 CRUTCH/WALKING STICK HOLDER:
FIG.5.15**

⚠️WARNING!

- Ensure that the crutch holder is securely fastened to the seat back rest.
- Ensure that the crutch is not interfering with the mechanisms of the scooter.
- Ensure that the crutch does not protrude from the sides of the scooter.
- Do not attempt to remove the crutch while the scooter is in motion.
- Always come to a complete stop and turn off the power to the controls before attempting to remove the crutch. This will avoid accidentally operating the scooter.



FIG.5.15

5.5 LIGHTS AND INDICATORS:

Front FIG.5.16

Rear FIG.5.17

Ensure that the lights and indicators are functioning correctly and lenses are clean before going outdoors at night or in poor visibility.

NOTE: The light clusters fitted to the scooter comprise of LED lights. They are very efficient and reliable, which means that there is no “bulb” to change. Should a light cluster become damaged, please contact your local Sunrise Medical approved servicing agent for any warranty, service or repair work required.



FIG.5.16



FIG.5.17

5.6 SEAT COVER:

This option offers additional protection to the seat, (FIG.5.18).

WARNING!

Ensure the seat cover is correctly fitted and is not obstructing the controls of the scooter or in contact with the scooter moving parts.

5.7 HEAD REST:

The head rest is supplied as standard fitted to the seat. To adjust the height, squeeze the clip on the left hand stem guide and move the head rest until it clicks into the nearest notch to the desired position. To remove the head rest do the same, but lift the head rest completely out, (FIG.5.19).

5.8 REAR STORAGE BAG:

The bag is used for storing items, and is strapped to the back of the seat. Please follow fitting instructions provided with the bag, (FIG.5.20).

WARNING!

- Maximum Carrying Load = 10 kg/22 lbs.
- The weight of the driver plus any luggage, should not exceed the maximum user weight of the scooter.
- Do not attempt inclines with this accessory fitted, as it may cause the scooter to become unstable.

5.9 REAR MOUNT WHEELCHAIR/WALKER HOLDER:

The rear mount is used for carrying a wheelchair or walker items, and is mounted to the rear accessory mount on the back of the seat. Please follow fitting instructions provided with rear mount, (FIG.5.21).

WARNING!

- Maximum Carrying Load = 15 kg/33 lbs.
- The weight of the driver plus any luggage, should not exceed the maximum user weight of the scooter.
- Be aware that attached accessories increase the effective footprint of the scooter.
- Take extra care when maneuvering if you have a rollator, walker, or wheelchair on board.
- Ensure that the load is secured properly before moving off.
- Be aware that the load you are carrying may obscure the rear lights on the scooter. If this is the case, please use the foot path while carrying the load, particularly at night.
- Do not attempt inclines with this accessory fitted, as it may cause the scooter to become unstable.



5.10 SCOOTER CAPE AND LEG CAPE:

These options offers additional protection for the scooter user in poor weather conditions, (FIG.5.22).

WARNING!

Ensure the capes are correctly fitted and are not obstructing the controls of the scooter or in contact with the scooter moving parts.

5.11 OXYGEN BOTTLE HOLDER:

The Oxygen Bottle Holder (A), fits to the seat via the straps provided.

The holder is designed to accept a 4 kg bottle, (FIG.5.23).

WARNING!

- While you are taking oxygen, observe all safety regulations pertaining to the use of oxygen.
- Do not enter an area where naked flames may be used.
- Do not smoke.
- Do not use transmitting devices such as mobile phones etc.
- Do not attempt inclines with this accessory fitted, as it may cause the scooter to become unstable.

5.12 REAR VIEW MIRRORS:

Your scooter is fitted with rear view mirrors as standard. To adjust the mirrors, while seated, simply hold the mirror head and gently move it into the position that allows you to see clearly behind you. Adjust both mirrors to enable complete rear vision for both sides of the scooter, (FIG.5.23).

CAUTION!

The mirror has an articulated joint in its stem, take care not to use excessive force when adjusting.

To remove the mirror; use a 14 mm wrench to loosen the securing nut, then support the mirror stem and turn it counter-clockwise until it screws out of the handle bar. To refit the mirror, reverse the above procedure tightening the securing nut to a torque of 10-15 Nm, (FIG.5.23).

5.13 SOLID TIRES:

Solid tires are available as an option.

The solid tires offer greater security for the user because they cannot be punctured.

NOTE: Solid tires have the effect of producing a firmer ride, (FIG.5.24).



FIG.5.22



FIG.5.23



FIG.5.24

5.14 SCOOTER STORAGE COVER:

The scooter storage cover will protect your scooter when stored in outside conditions, (FIG.5.25).

⚠️WARNING!

Never attempt to drive or move the scooter with the storage cover fitted.

5.15 OFFBOARD CHARGING KIT:

The offboard charging kit allows the charging of spare batteries for your scooter.

⚠️WARNING!

Before charging batteries read the charging section of this manual.

5.16 HEAVY DUTY SUSPENSION KIT: (S425 MODEL ONLY)

The heavy duty suspension kit allows for a firmer ride experience on your scooter. The kit is recommended to be installed by your Sunrise Medical dealer.



6.0 Using The Scooter

⚠️WARNING!

- Parts of the scooter are heavy. Please use correct lifting techniques.
- If you are unsure about lifting or removing any assemblies, or performing any other task requiring physical effort, get someone to help you who can manage the task or call your local Sunrise Medical dealer.

6.1 PREPARING FOR STOWED TRANSPORTATION:

Remove the batteries as described in section 5.3. To lift the batteries please use the handles on the webbing cradle surrounding the batteries. Ensure that the seat is removed, (section 5.1) or folded and the tiller is folded in it's lowest position.

6.2 TO USE THE SCOOTER AGAIN:

Reverse the above procedure
Refit the batteries.

⚠️WARNING!

- Never lift the scooter by the armrests, seat or tiller, harm could be done to the user or to the scooter.

6.3 SEAT BACKREST RECLINE:

⚠️WARNING!

- Take care when adjusting the seat backrest recline angle as it could be possible to fall backwards and harm the user or the scooter.
- When adjusting the back angle, be careful not to get your fingers caught.

The seat backrest recline angle is adjusted by the lever shown in FIG.6.1.



6.4 SEAT POSITION:

The scooter seat can be adjusted in a forward or backwards position. The adjustment lever is found on the right hand side under the front of the seat. Pull the lever upwards and use legs and body to move to the required position and release lever, (FIG.6.2).



FIG.6.2

⚠ DANGER!

Your scooter may have a factory fitted stop limiting the range of the movement of your seat, and must not be removed. The stop ensures your scooter remains stable when travelling on slopes.

6.5 ARMREST ANGLE/DEPTH ADJUSTMENT:

The scooter armrests are angle adjustable for user comfort. The adjustment bolt (1) is found under the armrest body. The bolt is rotated either way to increase or decrease the angle of the armrest, (FIG.6.3). The armrest depth is adjusted via the 2 bolts underneath the armrest pad.



Fig.6.3

6.6 TILLER ADJUSTMENT:

⚠ DANGER!

- Do not adjust the tiller while the scooter is being driven as serious injury could happen if you lose control.
- Do not use the tiller adjustment handle to hold or carry items such as bags etc.
- Ensure fingers or other items are not around the area of the lower tiller when making adjustments. Serious injury could happen due to entrapment.

The angle of the tiller can be adjusted for getting on and off the scooter and for achieving a comfortable driving position.

1. Pull and hold the lever upwards.
2. Hold the handlebar and push or pull the tiller to the required position.
3. Let the lever go.

The tiller contains a gas strut to aid in the adjustment of the tiller position, (FIG.6.4).

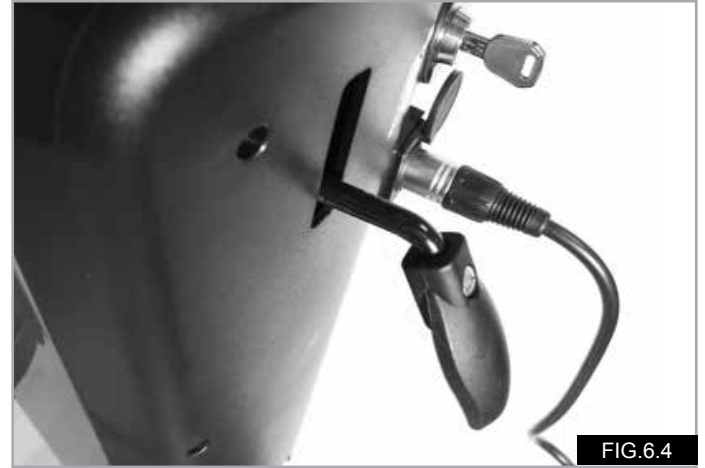


FIG.6.4

6.7 SLOPES:

Please also refer to section 4.20.

The following instructions explain how to maneuver correctly on steep ramps and slopes, especially in the course of descent, (FIG.6.5, next page).

⚠ DANGER!

- Low speed settings are recommended when traveling on slopes, particularly in reverse.
- We strongly recommend that you bring the seating backrest into an upright position during maneuvers on slopes.
- If you stop on an incline, start off slowly and, if necessary, lean forward to counteract the tendency of the front wheel to rise.
- On descents it is important not to allow the scooter to exceed normal speed. Indeed, the safest course is to go down steep hills slowly and to stop immediately if you have any doubts about the steering.
- Do not attempt inclines when any of the following accessories are fitted, rear storage bag, rear mounted wheelchair/walker holder or oxygen bottle holder, as they may cause the scooter to become unstable.

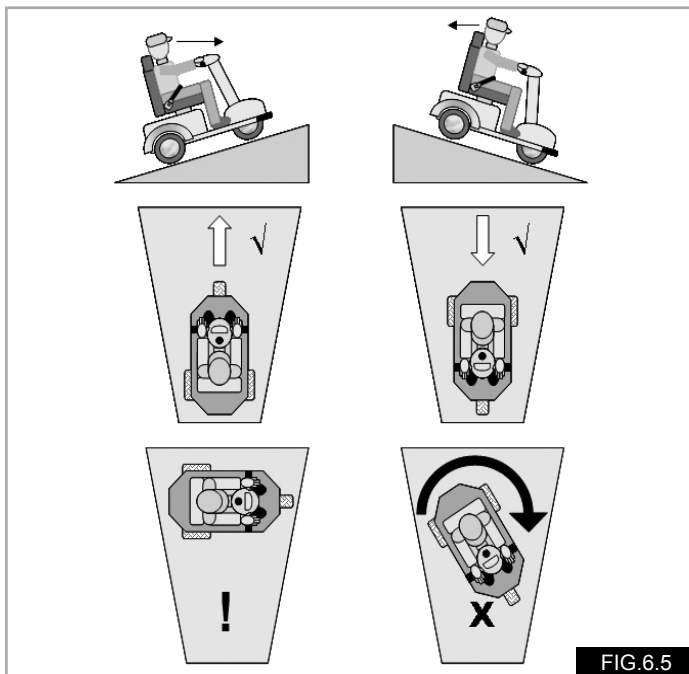
DANGER!

- If the scooter gathers speed, release the control lever to slow down, or stop completely.
- Start off again slowly and do not allow speed to increase.
- Make sure the scooter is in drive mode as this ensures that the automatic braking system is active.
- Climbing or descending a slope with the automatic brakes disengaged is very dangerous and is not recommended.
- Always reduce your speed when turning corners, particularly when travelling down slopes.
- Disregarding this advice could lead to your scooter tipping over.
- Do not traverse across the face of a slope in excess of 10° - 1 in 6, (S700) or 8° - 1 in 7, (S425).
- Disregarding this advice could result in your scooter tipping.

6.8 SLOPE CLIMBING

(FIG.6.5).

- Where possible always travel up slopes or ramps directly facing the slope of the hill.
- When driving up or down a very long hill, it is a good idea to rest for a moment to break the journey up. This will aid performance and allow the scooter motor to cool down.
- Do not traverse across the face of a slope in excess of 10° - 1 in 6, (S700) or 8° - 1 in 7, (S425).
- Always reduce your speed to the minimum setting when reversing down hills.
- Do not attempt to drive along with the wheels at different levels, e.g. along the footpath and road simultaneously.



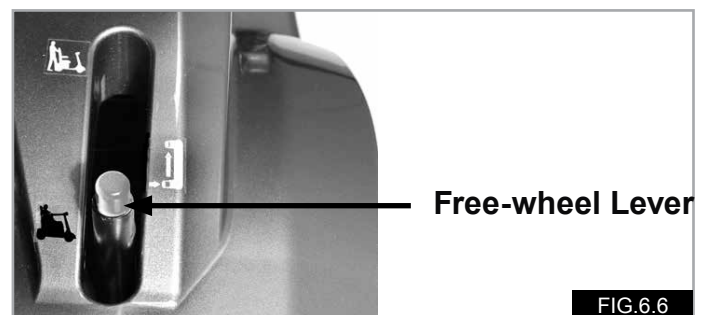
6.9 FREE-WHEEL DEVICE:

DANGER!

Please also refer to Section 4.7

- Do not sit on the scooter when free-wheel mode is activated.
- Do not attempt to drive the scooter when free-wheel mode is active.
- Never allow the scooter to be pushed in free-wheel mode by other persons when you are still on board.
- Do not activate free-wheel mode when the scooter is stopped or parked on a significant slope.
- Never attempt to activate free-wheel mode while you are still on board the scooter.

Push the red button down and push the lever forward in the free-wheel position. If you wish to push the scooter with the motors off, you should follow this procedure. When the levers are pushed backwards, the drive wheels will automatically connect with the propulsion mechanism and the red button will return to its locked position. (FIG.6.6).



6.10. TIRE PRESSURE:

It is important to check inflation pressure regularly, along with the state of wear of the tires. The maximum pressure recommended for the wheels should be up to :

S700 = 2.7 bar (40 P.S.I.)
S425 = 2.7 bar (40 P.S.I.)

For further information on tires please refer to Section 18.2 and 18.3.

DANGER!

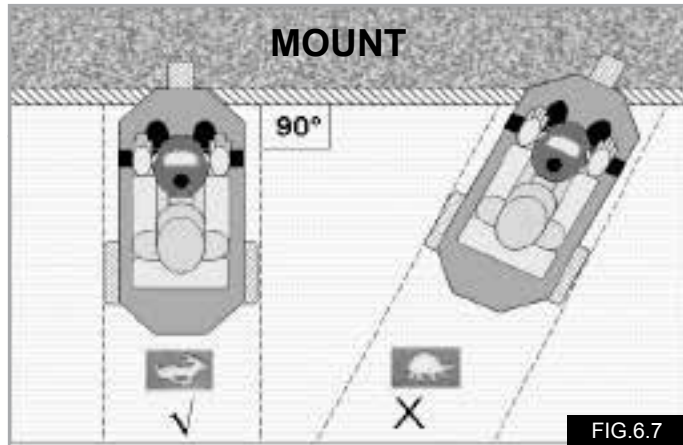
Never inflate the tires with a service station air pump. It is recommended that you use a manual pump or a pump fitted with a pressure regulator (manometer).

6.11 MOUNTING A CURB OR STEP:

The scooter is capable of mounting and dismounting curbs and obstacles up to 50 mm (2"), for the S425 and 100 mm (4") for the S700.

Remember when climbing curbs to drive forwards and face the curb at 90°, (FIG.6.7).

Approach the curb or step from a minimum of 500 mm, select a medium to high speed setting and drive up without stopping.

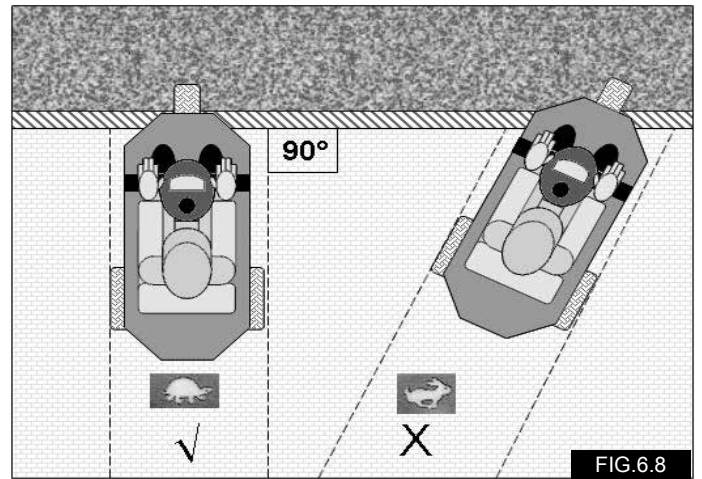


6.12 DISMOUNTING A CURB OR STEP:

To dismount a curb, face the curb at 90°, but select a low speed setting.

Move forward and slowly allow your scooter to drop gently, front wheel(s) first from the curb.

The rear stabilizing wheels may make contact with the curb when dismounting this is normal, (FIG.6.8).



6.13 USING NEAR WATER:

Take extra care when using your scooter near open water. Canal tow paths, beaches, quay sides and river banks can be hazardous.

DANGER!

- Do not travel along a sloping surface leading to an open waters edge.
- Keep a distance of at least one scooter length from an open waters edge whenever possible.
- Beware of hidden obstacles such as tree roots, drain covers and mooring rings as these may cause loss of control if you hit them unexpectedly.
- Use a low speed setting.
- Never reverse towards open water.
- Do not drive up or down steep slopes located near an open waters edge.
- Give way to pedestrians on canal tow paths and footpaths.
- Sound the horn to let other people know you are there.
- Never try to maneuver around pedestrians if it takes you too close to the waters edge.
- Avoid deep sand, gravel, mud and wet grassy slopes.
- Take extra care on windy days as loose clothing such as capes or blankets can suddenly fly up and may foul the controls or temporarily block your view.
- Do not get close to open water during a storm.
- When stationary, switch the scooter OFF at the key.
- Observe all local by laws, rules and regulations.

CAUTION!

- Always clean your scooter thoroughly if it has been exposed to mud, sand, salt or other contaminants.
- Do not use a high pressure washer, (see Section 11).

7.1 SCOOTER CONTROL CONSOLE

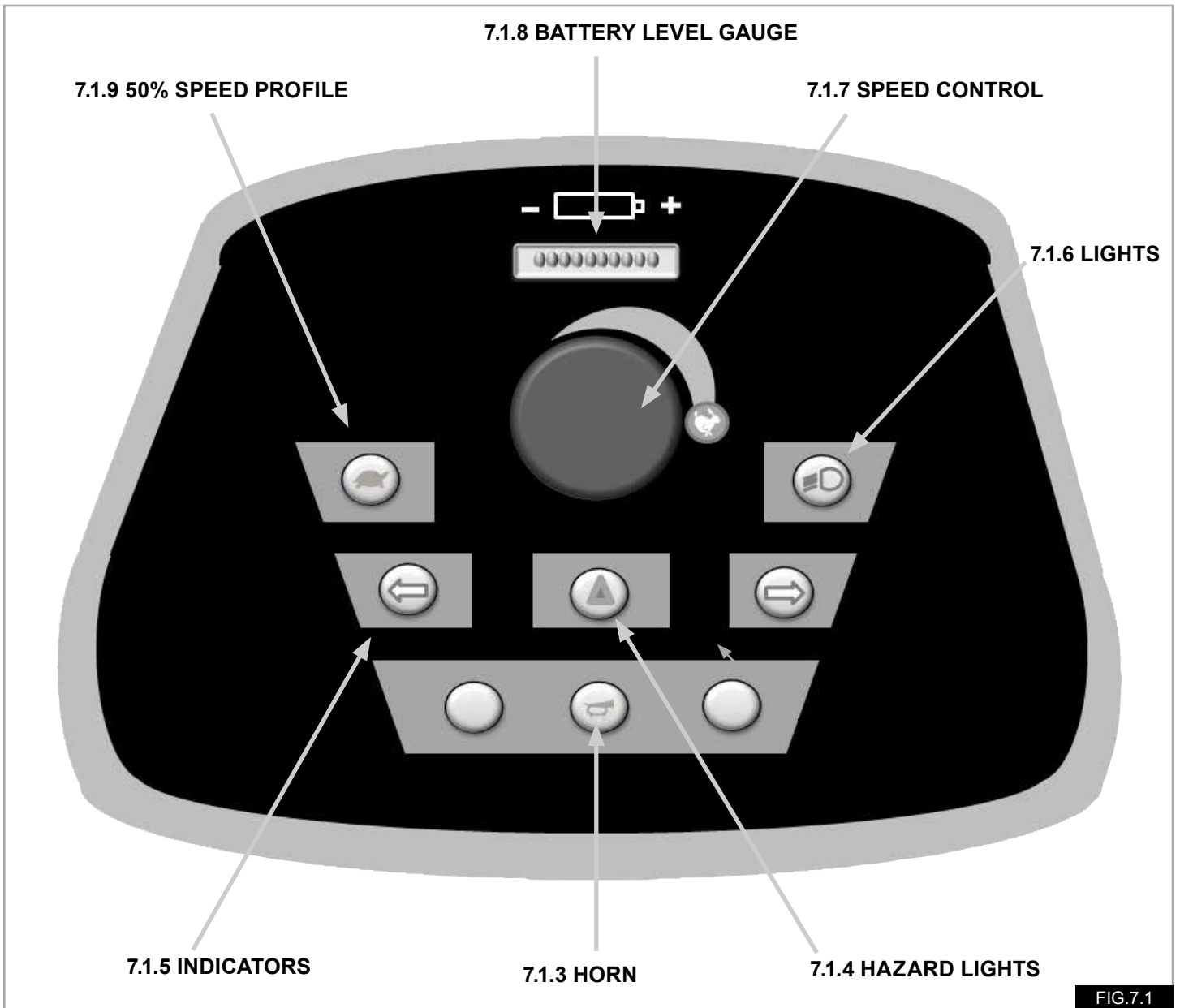
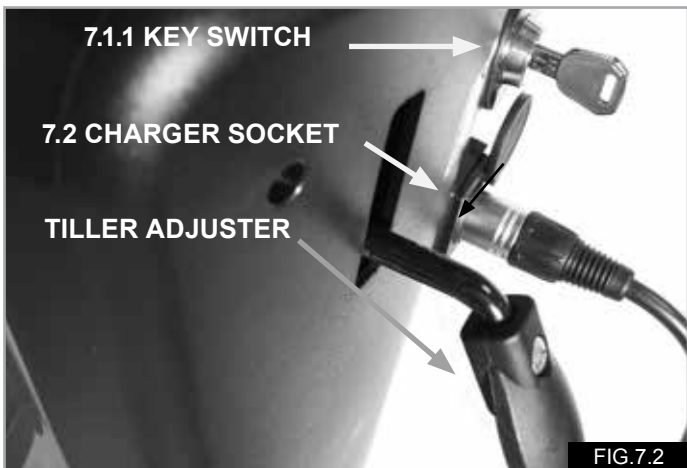


FIG.7.1



7.1.1 ON/OFF KEY SWITCH

The ON/OFF key switch applies power to the control system electronics, which in turn supply power to the scooter motor.

- To turn ON insert the key vertically and turn 90 degrees clockwise.
- To turn OFF scooter, turn key back to vertical position and remove, (FIG.7.2).

WARNING!

- Do not use the ON/OFF key switch to stop the scooter unless there is an emergency. (If you do you may shorten the life of the scooter drive components).
- To avoid unexpected or unintentional movement of the scooter, and to conserve battery power, it is recommended that the key switch is switched OFF when stationary or not being used.

7.1.2 CONTROL LEVER (WIG-WAG)

Located by handle bar grips. Your speed and forward and reverse motion is controlled via the Wig-Wag.

Gently pull with the right hand or push with the left thumb to move the scooter in a forward motion. The amount of movement applied to the Wig-Wag also proportionally controls the speed of the scooter.

The left hand or right thumb moves the scooter in a reverse motion and also controls the speed of the scooter in reverse.

The lever will return by itself when released, and you will stop gently. Braking is engaged when the Wig-Wag is released, (FIG.7.3).

WARNING!

The factory default setting is described above. Be aware that it is possible the throttle operation could be reversed through programming, particularly if you are a second user.

When stopping, the high visibility rear LED braking lights will illuminate. These also function when the scooter lights are turned on.

NOTE: Forward and reverse functions can be swapped over from right hand operation to left hand operation, via programming. Please consult your authorized Sunrise dealer.

WARNING!

It is important that you stop the scooter before you change direction from forward to reverse.

Always turn the scooter control system off via the key switch before you transfer in or out of the scooter.

7.1.3 HORN

The horn will sound while this button is depressed.

7.1.4 HAZARD LIGHTS

With the scooter ON, the front and rear LED indicators will flash simultaneously when this button is pressed.

The visual indicators on the direction buttons on the keypads will also illuminate and the horn will sound. Press the button again to switch the hazard lights off.

7.1.5 INDICATORS

Pressing the button will illuminate the front and rear LED indicators in a flashing pattern indicating you are turning the scooter. On the keypad the visual indicator LED will flash and the horn will sound. The front indicator pods have a special extended lens that can be seen from most

driving positions.

To turn off the indicators press the button again.

7.1.6 LIGHTS

Pressing the button will turn on the front LED headlight, and the rear LED lights

NOTE: If the lights are inadvertently left on after use, removing the ON/OFF key will extinguish the lights automatically.

WARNING!

Ensure that the lights and indicators are functioning correctly and all of the lenses are clean, before using the scooter at night or during poor visibility.

7.1.7 SPEED CONTROL

This allows you to pre-set your desired scooter speed. Turn the dial counter-clockwise to slow for very gentle operation. Turn it clockwise to increase your speed to maximum.

Remember that only with practice will you become a competent driver. Find a safe, hazard free environment to practice controlling the scooter and familiarize yourself with the controls and functions.

WARNING!

For the safety of the operator and other pedestrians, Sunrise Medical recommends that while driving on footpaths and other pedestrian walkways, the scooter pre-set speed should be set to less than 4 mph/6 kph.

7.1.8 Battery Level:

This indicates the average amount of charge you have in the batteries. Green indicates fully charged batteries with reducing charge to the red indicator. Red indicates warning and less than half-charged batteries, (7.1.9). Please be aware that the meter reading will fluctuate when accelerating from start or traveling uphill, this is normal. The reading is more accurate when the scooter is operating on flat level ground.

7.1.9 50% Speed Profile:

(Tortoise Button)

This button, changes the speed of the scooter to a pre-set 50% of maximum speed and reduces the acceleration and deceleration.

This is ideal when travelling indoor or within confined spaces.

To return to normal driving, press the button again, (FIG.7.1).

When this mode is active, the scooter speed can also be reduced further by using the speed control dial.

7.2 CHARGING SOCKET:

WARNING!

The charging socket should only be used for connecting the scooter battery charger plug to the scooter.

The charging socket should not be used to supply power for any other device.

Connection of unapproved electrical devices may damage the control system or compromise the EMC performance of the scooter.

Always put the socket cover back over the charging socket when the battery charger plug has been removed, (FIG.7.4).

Please see Section 9.0 for more details about charging.

7.3 PROGRAMMING:

When the scooter leaves the factory, the parameters of the controller are set to accommodate most driving styles and preferences. However, the scooter control system is very versatile and will allow certain functions to be reprogrammed.

If required, the programming socket, (located in the main controller), will enable an approved Sunrise Medical authorized dealer to reprogram your scooter.

Your approved Sunrise Medical authorized dealer can also gain useful service information via the programming socket, from the scooter's on board diagnostics facility. To programme the controller a special programming device is required, (hand-held or PC software), which is only available to your Sunrise Medical authorized dealer.

DANGER!

- Programming the scooter is only allowed via authorized personnel trained by Sunrise Medical.
- Incorrect controller settings could cause driving outside the safe limits and could result in damage or injury.

NOTE: Sunrise Medical does not accept responsibility for damages / injuries which result from unexpected movement or stopping of the scooter due to inappropriate programming or unauthorized use of the scooter.



7.4 OPERATING THE CONTROLS:

If you are new to driving a scooter, it is a good idea to practice in a clear, safe space on a sound level surface. Put the key in its slot, but do not turn the scooter on. Board the scooter by following the instructions in Section 4.16.

7.5 BASIC DRIVING TECHNIQUES:

Make sure you are properly seated and can comfortably reach all the controls on the scooter.

1. Set the speed control to its lowest speed.
2. Turn the key clockwise (90 degrees) to turn the scooter on.
3. On the tiller, gently operate the Wig-Wag as described earlier, (FIG.7.3). You will gently accelerate. Release and you will gently stop. Practice these two basic functions until you get used to them.
4. Steering the scooter is easy and logical. Just be sure to remember to get wide clearance when turning so that the rear wheels clear any obstacle.
5. Short-cutting a pavement corner can cause the back wheel to go off the pavement, causing problems, if the corner is very rough. Avoid this at all times by steering an exaggerated curve around the obstacle.
6. When steering in a tight spot, such as entering a doorway or when turning around, stop the scooter and then turn the handlebar to where you want to go, then apply power gently. This will make the scooter turn tightly. It is also recommended that the pre-set speed is set to a slower setting to aid control in tight spots.

DANGER!

Reversing requires extra attention as the field of vision is restricted.

NOTE: Using the right thumb or left fingers to operate the Wig-Wag will reverse the scooter. The horn will sound to alert that you are reversing the scooter.

DANGER!

It is advisable that during the first few **sessions** of operating your scooter that the area around you is clear of obstacles and pedestrians. Before operating your scooter, ensure the seat height has been adjusted to your satisfaction, and the tiller angle has been set for optimum safety and comfort.

DANGER!

- When using your scooter on public walkways and footpaths, always be aware of pedestrians and situations which might require extra care.
- Be especially vigilant around young children and pets.
- Remember, when driving in public places drive with caution and regard for others at all times.
- When manoeuvring in confined areas, including shops, ensure the minimum speed is selected.
- If you leave your scooter unattended, ensure that it does not obstruct pedestrians or other road users.
- Remember to keep the key with you at all times for your safety and security.
- For the safety of the operator and other pedestrians, Sunrise Medical recommends that while driving on footpaths and other pedestrian walkways, the scooter preset speed should be set to less than 4 mph/6 kph.

7.6 BRAKING:

To stop the scooter simply release the Wig-Wag, while keeping your hands on the handlebar. Two types of braking will automatically operate in sequence:

- Automatic regenerative braking, which slows the scooter to a standstill.
- Automatic parking brake which will operate as the scooter comes to a stop. The automatic parking brake holds the scooter in position, even if you are on a hill.

NOTE: This is a two stage process and is not instantaneous. First the scooter slows down and stops, then the parking brake comes on. When starting off again the parking brake will release automatically. If the throttle is momentarily engaged and released, the parking brake will release and then engage again in approximately 1/2 a wheel turn.

7.7 SECONDARY PARKING BRAKE

(FIG.7.5).

Your scooter is fitted with a secondary parking brake. If the free-wheel position is engaged the secondary parking brake can be operated by pulling the hand brake lever, (A), on the left hand side of the tiller. This engages the secondary brake on the rear wheels to prevent unintentional movement while in free-wheel mode, (drive disengaged).

Before attempting to push the scooter in free-wheel mode, release the secondary parking brake by pulling back the small thumb lever, (B).

DANGER!

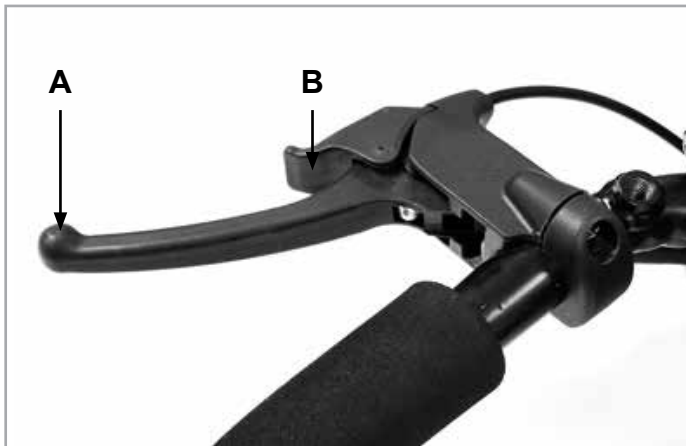
- After completing any maneuvers in free-wheel mode, always re-engage drive mode by moving the free-wheel lever to the drive position.
- Do not use the secondary parking brake to slow the scooter down during the normal driving process.

7.8 EMERGENCY BRAKING - KEY SWITCH

In the unlikely event of an unwanted movement of the scooter, turning the key switch OFF will cause the scooter to come to an immediate stop. Though very effective, emergency braking is extremely abrupt and must never be used in normal use.

7.9 SWITCHING OFF

The scooter must always be switched off at the ON/OFF key switch.



8.0 Troubleshooting - Display

8.1 BATTERY DISPLAY GUIDE:

(FIG.7.6).

Always consult your Sunrise Medical authorized dealer when a diagnostic fault has appeared on your scooter display.

The battery gauge indicates the status of the control system as well as the charge remaining in your batteries.

Battery Gauge is steady:

This indicates that everything is OK and the display is showing the battery charge level.

NOTE: The number of LED lights will vary under different load conditions such as going uphill etc. This is normal. More accurate readings are obtained when travelling on flat, level surfaces.

Battery Gauge flashes One or more LED lights:

Scooter Fault-The LED battery gauge displays the fault as a series of flashing LEDs.

The flashing LEDs indicate the control system safety circuits have operated and the control system has been prevented from moving the scooter.

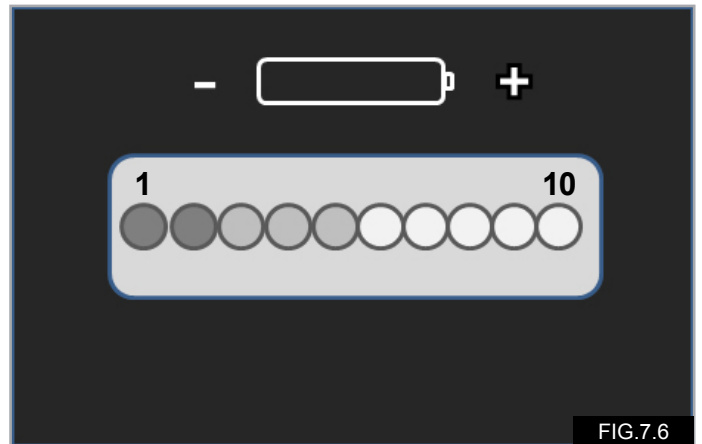


FIG.7.6

8.2 SELF HELP GUIDE:

NUMBER OF LEDS FLASHING	POSSIBLE CAUSE	SOLUTION
2	Low battery voltage	The battery needs charging or there is a bad connection on the battery. Check the connections to the battery. If the connections are good, try charging the battery.
3	High battery voltage	An excessive voltage has been applied to the system. This is usually caused by a poor battery connection. Check the battery connections. Check that you are using the charger supplied with your scooter or an approved replacement.
5	Solenoid brake trip	The motor brake has a bad connection. Check the motor brake and motor connections. Make sure all the system connections are secure.
6	Throttle trip	A throttle trip is indicated. Make sure that the throttle is in the neutral position before switching on the scooter.
7	Throttle trip	A throttle trip is indicated. Make sure that the throttle is in the neutral position before switching on the scooter.
8	Motor disconnected	The motor has a bad connection. Check all the connections and leads between the motor and power module. Check the position of the free-wheel lever.
9	Possible Controller Trip	Check all plugs and sockets.
10 + Beep	Free-wheel Activated	The free-wheel lever is activated and the motor brake disengagement mechanism is operated. Check the position of the free-wheel lever and select DRIVE. Switch OFF and back ON again to clear the fault.

What to do next?

- Switch the scooter off.
- Check that none of the plugs and sockets have become loose or disconnected.
- Check the condition of the battery and charge them if necessary.
- If you can't find the problem, try the self help guide above.
- Switch the scooter on again and try to drive the scooter.

WARNING!

- If the safety circuits continue to operate, switch off and do not try to use the scooter.
- Contact your Sunrise Medical authorized dealer.

Other Drive Faults:

Slow or sluggish movement:

If the scooter does not travel at full speed or does not respond quickly enough and the battery condition is good, check the maximum speed setting.

If adjusting the speed setting does not remedy the problem then there may be a non hazardous fault.

No Drive:


Charger Connected?

The system is being inhibited from driving. This may be because the battery charger is connected. Disconnect the charger.

Consult your Sunrise Medical authorized dealer.

9.0 Batteries and Charging

WARNING!

 Please read the Owner's Manual supplied with the charger carefully. The general procedures and effects for the interference with the scooter and the batteries remain valid.

- Do not smoke near batteries.
- Do not expose any part of the battery to direct heat (i.e. naked flame, gas fire).
- When charging always place your charger on a hard surface in a room with good ventilation.
- You should not charge your batteries in outdoor conditions.

9.1. BATTERY & CHARGER SPECIFICATION:

Batteries:

S425 = 24 V (2x12 V) / 55 Ah.,

Gel or AGM Type-maintenance-free

S700 = 24 V (2x12 V) / 75 Ah.,

Gel or AGM Type-maintenance-free

Dimensions:

Please see Technical Specifications.

NOTE: Optional batteries with different capacities are available.

Dimensions:

Please see Technical Specifications.

Charger:

Connector: 3 pin "Neutrik" type

Charger: 24V d.c. 8 A Cyclic, (S700-S425).

WARNING!

Only use the charger supplied with your scooter to charge the batteries fitted to your scooter.

9.2 ELECTRICAL FUSES:

To prevent the scooter from becoming overloaded, fuses been built into the battery looms. The fuses automatically isolate the battery from the scooter wiring and control systems in the event of an electrical short circuit. If you suspect that the fuses have blown, contact your Sunrise Medical authorized dealer as soon as possible, who will carry out a full diagnostic to determine the cause of the original fault.

WARNING!

- Do not attempt to change the fuses yourself.
- Do not attempt to by-pass the fuse as this would be very dangerous. If you suspect a fault, contact your Sunrise Medical authorized dealer as soon as possible.

9.3 BATTERIES

For all warnings and the detailed removal process please refer to Section 5.3 Batteries.

9.4 GENERAL BATTERY INFORMATION

The design of batteries used in mobility products is significantly different to the batteries used to start a car for example.

Car batteries are designed to release a large amount of power over a short period of time, while mobility batteries (commonly called deep cycle batteries) release their power evenly, over a long period of time.

Commonly two 12 volt batteries are used together in a mobility product, giving a total voltage of 24 volts.

The size of the battery (e.g. its available power) is expressed in amps per hour e.g. 75 Ah. The higher the number, the bigger the battery size, weight and, potentially, the greater the distance you can travel.

Sunrise Medical only fit as standard sealed maintenance-free mobility batteries into these types of scooters.

9.5 MAINTENANCE-FREE BATTERIES:

The batteries that are recommended for use with your scooter are Gel or AGM type batteries where the electrolyte is held in Absorbed Glass Matt and sealed in the battery case. As the name implies no maintenance is required other than regular charging.

These are similar to "gel" type batteries. For air transport please ensure the batteries are IATA approved.

9.6 BATTERY CARE:

Over the years, battery technology has moved forward but, unfortunately, some of the advice given on battery care has not.

This has resulted in a number of confused and at times contradictory instructions on the 'best' way to care for your batteries.

This section will help to dispel some of these myths and legends.

Below is set out a battery care plan for maintenance-free batteries. This has been agreed between Sunrise Medical and the battery manufacturers, to enable you to get the best out of your batteries. If a different care plan is followed, this may result in lower than expected performance from your mobility vehicle.

9.7 MAINTENANCE-FREE BATTERY CARE PLAN:

Only use an approved Sunrise Medical charger compatible with the vehicle to be charged.

- With normal daily use, your batteries should be charged every night, regardless of the amount of use your mobility device has had during the day.
- If you use your scooter only occasionally (once per week or less), the batteries must be fully charged at least once per week. The batteries should be fully charged the night before you plan to use your scooter.
- Do not interrupt the charging cycle.
- If your mobility device is not required for use, it should remain connected to the charger until required. This will not damage your batteries, as long as the mains socket/plug is left switched on. Turning the mains socket/plug off, but leaving the mains cable plugged in will eventually deplete your battery charge.
- Do not top up the charge of your batteries during the day. Wait until the evening for a full overnight charge.
- As a general rule, maintenance-free batteries take longer to fully charge than wet lead acid batteries.
- Charge the batteries for at least 8 hours to ensure a full charge.

- The battery terminals need to be checked regularly for signs of corrosion. If any corrosion is apparent, then clean the terminals completely (a wire brush is ideal) and re-grease the terminal using Vaseline petroleum jelly, not ordinary grease. Ensure that the terminal nut and bolt, cable clip and exposed cable are completely covered with jelly.
- Following all the points above should result in a healthier battery, greater range for the vehicle user and a longer life for your batteries.
- Spent batteries may be returned to your Sunrise Medical Dealer or your local recycling depot equipped to dispose of batteries.

9.8 GENERAL CHARGER INFORMATION:

The external charger has been designed to charge two 12 V Gel or AGM type batteries connected in series (= 24 V).

9.9 CHARGER SPECIFICATION:

⚠ WARNING!

Only use cyclic chargers designed for mobility batteries, Gel or AGM type, with a maximum output not exceeding 24V/10A.



For more information about the charger operation, consult the instructions provided with the charger.

NOTE: If the charger is not connected to the scooter, it does not output charge voltage.

⚠ WARNING!

It is possible that the charger's metallic box may slightly raise in temperature due to use.

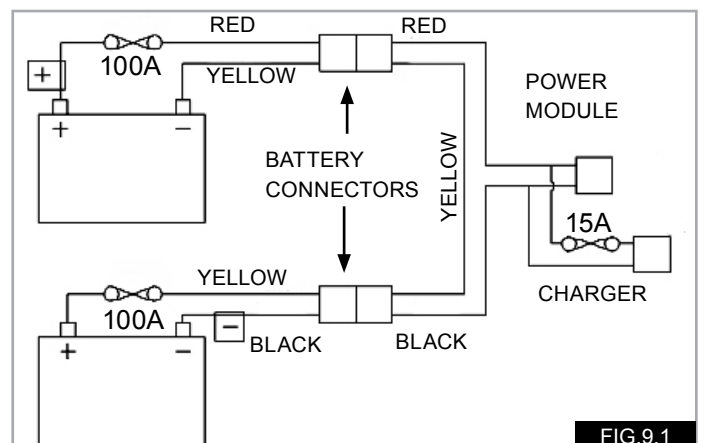


FIG.9.1

9.10 CHARGER SAFETY FEATURES:

The charger has features that prevent hazards or accidents occurring as a result of connecting batteries the wrong way round, overheating caused by fault conditions or attempting to charge wrong voltage batteries.

WARNING!

- Always replace fuses with the same type and size of fuse as specified.
- Fitting of different fuses can result in damage to the charger or failure of the charger to operate properly.
- If your charger has been specified for use in Canada, it will contain a CSA approved three prong grounded plug which does not have a fuse.

9.11 PROCEDURE FOR CONNECTING THE CHARGER AND CHARGING:

The scooter can be charged via the charger socket on the rear of the tiller panel. FIG.9.2

- Ensure the scooter is switched off.
- First, connect the charger to the scooter.
- Then, connect the charger to the mains supply by means of the mains plug and switch on.
- The RED LED will illuminate to show that the power is ON, (FIG.9.3).
- The RED LED flashes to show a fault.
- The YELLOW LED will illuminate to show the batteries are charging, (FIG.9.3).
- The YELLOW LED flashes to show incorrect or no battery connected.
- The GREEN LED will illuminate when the charge cycle is complete, (FIG.9.3).

CAUTION!

- Do not leave the charger connected to the battery with the mains disconnected or switched off. This could result in damage to your battery being caused by deep discharge over a period of time.
- Always switch off at the mains before disconnecting the charger from the scooter.

WARNING!

- If the RED LED flashes, switch the charger off at the mains supply and contact your Sunrise Medical authorized dealer.

9.12 CHARGER SAFETY AND CAUTION NOTES:

WARNING!

- The charger is designed for indoor use. Do not use outdoors or expose to rain, snow, spray or moisture.
- When buying replacement batteries or charger always consult your Sunrise Medical service agent.
- To reduce the risk of damage to electric plug and cord, pull by the plug rather than the cord when disconnecting the charger.
- Make sure the cord is located so that it will not be stepped on, tripped over or otherwise subjected to damage or stress or cause a trip hazard.
- A mains extension cord should not be used unless absolutely necessary.
- Use of an improper extension cord could result in a risk of fire and electric shock.
- If any extension cord must be used, make sure the pins on the plug of the extension cord are the same number, size and shape as those of the plug on the charger and that the extension cord is properly wired and in good electrical condition.

NOTE: The scooter can remain safely on charge for a couple of weeks. When the scooter is not to be used for a long period of time, first charge the batteries fully and then disconnect them from the scooter. Store as close to room temperature as is possible.



9.13 THE RANGE OF YOUR VEHICLE:

The range figures are calculated in accordance with international standard test, ISO 7176-part 4, Wheelchair Energy Consumption Theoretical Range.

This test is intended to provide a standard method by which different manufacturers can measure/calculate the range using the same test method and allow purchasers to make direct comparisons about the range of different scooter models.

This test is carried out in controlled conditions with new, fully charged batteries, on a level test surface and a user weight of 100 kg.

The theoretical maximum range is as follows:

S425 = 25 km

S700 = 35 km

These values should be seen as a theoretical maximum and will be affected, (most likely reduced), if any single, or combination of factors listed in Section 9.15 occur.

9.14 THE MAXIMUM POTENTIAL RANGE OF YOUR VEHICLE:

Based on industry benchmark potential range figures for similar products and battery sizes, the maximum potential range of your vehicle is listed as below:

S425 – 42 km

S700 – 55 km

These values should be seen as a maximum potential range and will be affected, (most likely reduced), if any single, or combination of factors listed in Section 9.15 occur.

9.15 FACTORS THAT AFFECT THE POTENTIAL RANGE OF YOUR VEHICLE:

- User weight more or less than 100 kg.
- Batteries whose charge, age and condition is less than perfect.
- The terrain/surface is difficult e.g. Very hilly, sloping, muddy, loose, rough or consisting of gravel, grass, or snow and ice.
- The scooter regularly climbs curbs.
- The ambient temperature is very hot or very cold.
- Incorrect tire pressures in one or more tires.
- Lots of start/stop journeys.
- Use of additional powered options e.g. lights and indicators.

NOTE:

- The battery size used on each scooter should provide sufficient range for the majority of user requirements.
- Enhanced driving techniques, such as avoiding curbs and using paths instead of open ground, may assist in improving the available range.
- Correctly charging the batteries on a daily basis will also assist in improving range and battery life.

10.0 Adjustments

WARNING!

- Only undertake adjustments on your scooter if you are qualified to do so.
- Serious injury or damage can occur if adjustments are not carried out correctly.
- If you are unsure please contact your Sunrise Medical dealer for assistance.

10.1 SEAT HEIGHT ADJUSTMENT

- Remove the battery cover to access the seat height adjustment bolts.
- Remove the seat stem fixing bolt (FIG.10.1)
- The seat height can be adjusted to a range of 50 mm.
- When the desired position is reached, replace the bolt through the seat stem hole and tighten to a torque of 25 Nm.



10.3 PROGRAMMING:

When the scooter leaves the factory, it is programmed to best suit the general needs of our customers. This is a generic or default programme. However, if any alterations are required, then you should contact your dealer, where a specialist can reprogramme the scooter to fine tune it to your needs.

NOTE: A programmer or a PC-based software program with the appropriate connecting lead are required to program the wheelchair.

DANGER!

- Never attempt to programme the scooter yourself.
- Programming the controller of the scooter is only allowed through authorized personnel trained by Sunrise Medical.
- Incorrect controller settings could cause a driving profile outside the safe limits and could result in damage or injury.

11.0 Cleaning

11.1 CLEANING GENERAL:

WARNING!

Ensure the controller is switched off before cleaning.

- The scooter should be wiped over once per week with a slightly damp (not wet) cloth.
- Make sure that you dry all parts of your scooter if it becomes wet or damp after cleaning or if it is used in a wet or damp atmosphere.
- It is important that should the scooter be used by more than one person it is cleaned thoroughly to ensure there is no cross infection.
- You should use a proprietary disinfectant for this task. Please pay attention to the manufacturer's instructions of the disinfectant you are using.
- It is important to test the disinfectant on a small area first to ensure it is acceptable to use.
- Inspect the upholstery/seating for tears, dents, wearing or slackening of upholstery particularly near to metal as this could result in poor posture or lower levels of comfort and pressure relief.

11.2 CLEANING SEATING:

All parts/accessories, such as crutch holders, should be cleaned with a damp cloth.

The headrest, armrests, lap belts should be cleaned with a damp cloth.

CAUTION!

Do not use a hose or a pressure or steam washer to clean your scooter.

11.3 CLEANING CONTROL SYSTEM:

Clean the control system and the keypad with a cloth dampened with diluted detergent. Be careful not to use excessive water or force when cleaning the control keypad.

CAUTION

Never use abrasive or spirit based inflammable cleaners.

12.0 Shipping and Storage

12.1 STORAGE TEMPERATURE & HUMIDITY:

Storage Temperature: Min: -40°C Max: 65°C

Relative Humidity (non-condensing): Min: 5% Max: 95%

CAUTION!

- Before you travel, please contact the appropriate carrier.
- The travel operator will be able to supply details of any special requirements/instructions.

12.2 USING YOUR SCOOTER ON THE TRAIN:

If you wish to use your scooter on the train, we recommend that you contact the train operator in advance when planning your journey. Railway carriages have provision for a "wheelchair" space where you can sit on your scooter during the journey. Please note that the overall length of your scooter may be greater than the available length of the "wheelchair" space in the railway carriage.

When planning your journey, you should check with the train operator that there will be suitable boarding access available to allow you to access the railway carriage and the intended "wheelchair" space on entering and leaving the train and there is suitable access onto the platform. We recommend you check with the train operator that ; the boarding access is suitable for the combined mass of your scooter and the occupant; the slope of the access is not greater than the maximum safe slope of the scooter; any steps or risers are no greater than the maximum height of the scooter obstacle climbing height; there is adequate turning space within the access area to the train and on the train.

Most train operators will provide assistance provided that arrangements have been made in advance. We suggest you have your Owner's Manual ready when planning your journey and contact them.

12.3 OTHER TRANSPORT REQUIREMENTS:

The scooter may be transported by road, rail, sea or air as luggage.

Before you travel, please contact the appropriate carrier or travel operator. You may be asked to provide certain information about the scooter such as the scooter mass and overall dimensions. This information can be found in the relevant model tables in Section 15.1.

If the scooter is transported by air, the batteries may need to be removed as the batteries supplied are not IATA approved for air travel. Your dealer can assist in supplying batteries that are IATA approved.

If transporting the scooter by road as luggage, it may need to be secured to prevent unintended movement into other vehicle passengers in the event of a sudden stop or placed in a space reserved for luggage. Your scooter can be secured by attaching suitable restraints to the front and rear bumpers as shown on the figure below.

WARNING!

Do not sit in your scooter when it is transported as luggage.



12.4 REMOVAL OF PARTS BEFORE TRAVELLING:

Information on the removal of some parts before travelling, should your travel operator or the carrier require this, can be found in this manual which you should take with you, as follows;

How to remove the seat; Section 5.1

How to disconnect and remove the batteries; Section 5.3

How to disconnect the drive; Section 4.7,

You should also ensure that any detachable parts e.g. basket, crutches etc. are secured with your scooter or separately packed and labelled so they do not get lost during loading or unloading.

12.5 USING A HOIST TO LIFT YOUR SCOOTER:

Your scooter WITHOUT OCCUPANT can be lifted using two suitably rated straps. An "H" frame constructed of a minimum of 4"x 4" timber sections should be used.

⚠CAUTION!

1. The approximate maximum mass of the largest scooter S700 is 150 kg so each strap should be rated to 150 kg. The hoist and "H" frame, should also be capable of lifting the maximum mass of the scooter.
2. The scooter should be switched off before hoisting and the keys removed.
3. The straps must be located as shown in FIG.12.1 and 12.2 below. DO NOT attempt to lift the scooter using any other points such as the seat or tiller.
4. Ensure the straps are the same length and are placed evenly so that the scooter is lifted evenly.
5. Never attempt to lift the scooter with an occupant seated.

6. Place the front strap along the length of the front "H" frame strut, ensuring the strap has even lengths either side.
7. Repeat the process for the rear "H" frame strut, ensuring the straps have equal lengths.
8. Attach the straps to the hoist and follow the hoist manufacturer's instruction to raise and lower the scooter to the desired position.
9. Remove the straps and replace the keys on completion of the maneuver.

⚠WARNING!

Never lift/hoist the scooter with the occupant sitting in the seat.

Relevant sections in this Owner's Manual:

- Ensure that any detachable parts are secured with your scooter or separately packed and labelled so they do not get lost during loading and unloading.
- Take this Owner's Manual with you.
- The carrier will need to refer to the following sections.
- How to remove the seat, (Section 5.1).
- How to disconnect the batteries, (Section 5.3).
- How to disconnect the drive, (Section 4.7).

12.6 MEDIUM TO LONG TERM STORAGE:

When storing your scooter for long periods of time (in excess of one week), follow these simple instructions: Fully charge the wheelchair for at least 24 hours. Disconnect the batteries.

⚠CAUTION!

Never store your scooter for medium to long periods of time:

- Outside.
- In direct sunlight, (plastic parts may discolour).
- Near a source of direct heat.
- In a damp environment.
- In a cold environment.
- With the batteries connected, (even if the controller is switched off).

Avoiding all of the above will minimize battery deep cycle discharge and extend battery lifetime.

When returning the scooter to use, please reconnect the batteries/battery boxes and charge the scooter for at least 24 hours before using again.

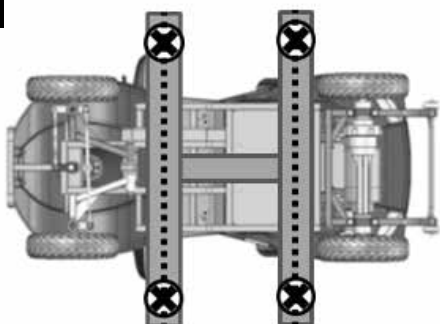
12.7 WEIGHT OF DETACHABLE PARTS

PART	WEIGHT kg
SEAT	35
FRONT BASKET	0.9
BATTERY BOX LID	1.1
ARMREST	1.0
HEAD REST	0.7

FIG.12.1



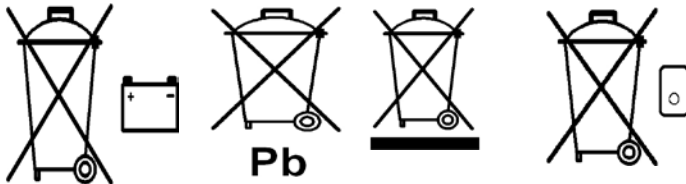
FIG.12.2



13.0 Disposal

The symbols below mean that, in accordance with local laws and regulations, your product should be disposed of separately from household waste. When this product reaches the end of its life, take it to the local collection point designated by local authorities. The separate collection and recycling of your product at the time of disposal will help conserve natural resources and ensure that it is recycled in a manner that protects the environment.

NOTE: Ensure you are the legal owner of the product prior to arranging for the product disposal in accordance with the above.



14.0 Torque Settings

⚠ WARNING!

- Do not attempt to dismantle and/or reassemble the scooter on an engineering level, or fit any replacement parts or accessories if you are not qualified/authorized to do so.
- Always consult your approved Sunrise Medical servicing agent.

The torque information supplied below will enable normal routine maintenance tasks to be performed, (please also see Section 18).

GENERAL TORQUE SETTINGS	
DESCRIPTION	TORQUE VALUE
M3 POZI PAN	2-3 Nm
M4 POZI PAN	3-4 Nm
M5 SKT HD CAP	4-5 Nm
M5 POZI PAN	4-5 Nm
M6 HEX HD	9-10 Nm
M6 BUTT HD	9-10 Nm
M6 SKT HD CAP	9-10 Nm
M8 HEX HD	15-20 Nm
M8 SKT HD CAP	15-20 Nm
M8 SKT BUTT HD	15-20 Nm
M10 HEX HD	20-25 Nm
M10 SKT BTT HD	20-25 Nm
SPECIFIC TORQUE SETTINGS	
Front Wheel Axle Bolt	32 Nm
Rear Wheel Hub Studs	25 Nm
Seat Stem Height Bolts	20 Nm

15.0 Specification Sheets (EN 12184 & ISO 7176-15)

Sunrise Medical Canada Inc.
237 Romina Drive, Unit 3
Concord, ON
L4K 4V3
Phone: 1-800-263-3390
Fax: 1-800-561-5834
www.SunriseMedical.ca

Operating temp: -25°C to 50°C

Storage temp: -40°C to 65°C

Moisture resistance: IPX4

No restrictions on humidity and air pressure.

Maximum occupant mass:
S425 = 150 kg, S700 = 160 kg

The Fortress S-series scooters conform to the following standards:

- requirements and test methods for static, impact and fatigue strengths (ISO 7176-8)
- power and control systems for electric wheelchairs requirements and test methods (ISO 7176-14)
- climatic test in accordance with ISO 7176-9
- requirements for resistance to ignition in accordance with ISO 7176-16
- the product is specified as a Class B, (S425), Class C, (S700), power product
- all materials used on this product conform to EN1021 parts 1 and 2

NOTE:

- See charts on following pages.
- Measurements of upholstered parts are approximate. All other measurements may be subject to change.

⚠ CAUTION!

This scooter has not been tested to ISO 7176-19 for use as a seat when travelling in a vehicle.

15.2 MODEL: FORTRESS S425



ISO 7176-15	MIN.	MAX.	COMMENTS
OVERALL LENGTH	1345 mm	1345 mm	STANDARD CONFIGURATION
OVERALL WIDTH	655 mm	655 mm	STANDARD CONFIGURATION
TOTAL MASS (WITH BATTERIES)	117 kg	117 kg	STANDARD CONFIGURATION
MASS OF THE HEAVIEST PART	-	35 kg	SEAT
STATIC STABILITY DOWNHILL	-	8°	150 KG USER
STATIC STABILITY UPHILL	-	8°	150 KG USER
STATIC STABILITY SIDEWAYS	-	8°	150 KG USER
ENERGY CONSUMPTION (MAX. RANGE)	-	25 km	TO ISO 7176-4 (SEE SECTION 9.13)
DYNAMIC STABILITY UPHILL	-	8°-18%	150 KG USER
OBSTACLE CLIMBING	-	50 mm	STANDARD CONFIGURATION
RAMP TRANSITION	8°	8°	WITHOUT HIGH CENTERING
MAX. SPEED FORWARD		12 kph/8 mph	STANDARD CONFIGURATION
MIN. BRAKE DISTANCE FROM MAX. SPEED	-	4 m	WITH STANDARD PROGRAMMING
MAX. SPEED REVERSE	-	50%	% OF FORWARD SPEED
EFFECTIVE SEAT DEPTH		490 mm	STANDARD CONFIGURATION
EFFECTIVE SEAT WIDTH		490 mm	STANDARD CONFIGURATION
SEAT SURFACE HEIGHT	447 mm	497 mm	TO SCOOTER FLOOR (3 POSITIONS)
BACK REST ANGLE	-70°	60°	FROM VERTICAL
BACK REST HEIGHT		525 mm	STANDARD CONFIGURATION
FORE / AFT SEAT ADJUSTMENT		+100 mm	FROM REAR MOST POSITION
SEAT WEIGHT WITH SLIDE		35 kg	STANDARD CONFIGURATION
TOP OF ARM REST TO SEAT		230 mm	ARM REST SET AT 90°
MIN. TURNING RADIUS		3.03 m	STANDARD CONFIGURATION
MIN. TURN BETWEEN WALLS		1.98 m	STANDARD CONFIGURATION
NOMINAL BATTERY VOLTAGE	24V	24V	TWO 12V BATTERIES
REVERSING WIDTH	1.98 m		
ADDITIONAL SPECIFICATIONS	MIN.	MAX.	COMMENTS
MAXIMUM POTENTIAL RANGE		42 km	INDUSTRY BENCHMARK (SECTION 9.15)
CONTROLLER CUT-OFF VOLTAGE	16V		DRIVE STOPS
BATTERY CAPACITY	55Ah	55Ah	SEE OPTIONS
BATTERY FUSIBLE LINKS	-	100A	IN-LINE FUSE ON EACH BATTERY
BATTERY CHARGER LOOM FUSIBLE LINK	-	15A	
BATTERY CHARGER	8A	8A	AUTOMATIC CYCLIC
MAX. CURB HEIGHT		50 mm	
GROUND CLEARANCE		60 mm	
REAR SUSPENSION TRAVEL		11 mm	UNLADEN
FRONT SUSPENSION TRAVEL		23 mm	UNLADEN
REAR WHEEL DRIVE	-	-	4 WHEEL SCOOTER
SCOOTER PUSH FORCE		100N	IN FREE-WHEEL
CRASH TESTED		NO	
TIRE PRESSURE		40psi	

15.3 MODEL: FORTRESS S700



ISO 7176-15	MIN.	MAX.	COMMENTS
OVERALL LENGTH	*1500 mm	*1500 mm	STANDARD CONFIGURATION
OVERALL WIDTH	657 mm	657 mm	STANDARD CONFIGURATION
TOTAL MASS (WITH BATTERIES)	145.5 kg	145.5 kg	STANDARD CONFIGURATION
MASS OF THE HEAVIEST PART	-	35 kg	SEAT
STATIC STABILITY DOWNHILL	-	10°	160 KG USER
STATIC STABILITY UPHILL	-	10°	160 KG USER
STATIC STABILITY SIDEWAYS	-	10°	160 KG USER
ENERGY CONSUMPTION (MAX. RANGE)	-	35 km	TO ISO 7176-14 (SEE SECTION 9.13)
DYNAMIC STABILITY UPHILL	-	10°-18%	160 KG USER
OBSTACLE CLIMBING	-	100 mm	STANDARD CONFIGURATION
RAMP TRANSITION	18°	18°	WITHOUT HIGH CENTERING
MAX. SPEED FORWARD		15 kph	STANDARD CONFIGURATION
MIN. BRAKE DISTANCE FROM MAX. SPEED	-	6 m	WITH STANDARD PROGRAMMING
MAX. SPEED REVERSE	-	50%	% OF FORWARD SPEED
EFFECTIVE SEAT DEPTH		490 mm	STANDARD CONFIGURATION
EFFECTIVE SEAT WIDTH		490 mm	STANDARD CONFIGURATION
SEAT SURFACE HEIGHT	450 mm	500 mm	TO SCOOTER FLOOR (3 POSITIONS)
BACK REST ANGLE	-70°	60°	FROM VERTICAL
BACK REST HEIGHT		525 mm	STANDARD CONFIGURATION
FORE / AFT SEAT ADJUSTMENT		+30 mm	FROM REAR MOST POSITION
SEAT WEIGHT WITH SLIDE		35 kg	STANDARD CONFIGURATION
TOP OF ARM REST TO SEAT		230 mm	ARM REST SET AT 90°
MIN. TURNING RADIUS		2950 mm	STANDARD CONFIGURATION
MIN. TURN BETWEEN WALLS		2250 mm	STANDARD CONFIGURATION
NOMINAL BATTERY VOLTAGE	24V	24V	TWO 12V BATTERIES
REVERSING WIDTH	2250 mm		
ADDITIONAL SPECIFICATIONS	MIN.	MAX.	COMMENTS
MAXIMUM POTENTIAL RANGE		55 km	INDUSTRY BENCHMARK (SECTION 9.15)
CONTROLLER CUT-OFF VOLTAGE	16V		DRIVE STOPS
BATTERY CAPACITY	55Ah	75Ah	SEE OPTIONS
BATTERY FUSIBLE LINKS	-	100A	IN-LINE FUSE ON EACH BATTERY
BATTERY CHARGER LOOM FUSIBLE LINK	-	15A	
BATTERY CHARGER		8A	AUTOMATIC CYCLIC
MAX. CURB HEIGHT		100 mm	
GROUND CLEARANCE	100 mm	130 mm	
REAR SUSPENSION TRAVEL		50 mm	UNLADEN
FRONT SUSPENSION TRAVEL		40 mm	UNLADEN
REAR WHEEL DRIVE	-	-	4 WHEEL SCOOTER
SCOOTER PUSH FORCE		100N	IN FREE-WHEEL
CRASH TESTED		NO	
TIRE PRESSURE		40psi	

* Exceeds recommended dimensions.

16.0 Guarantee

SUNRISE MEDICAL guarantees this product for two years as from the date indicated on the invoice, receipt or delivery note. This warranty covers parts only.

In warranty claims the user must submit the product and the purchase invoice as proof of delivery date.

This warranty does not cover:

NORMAL WEAR AND TEAR, e.g. on upholstery, tires, inner tubes, rims, wheels, fabric, etc. With respect to motors and gearboxes, a change in operating noise does not constitute a failure since all will exhibit a change in operating noise due to aging.

ACCIDENTS, e.g. bent structures, scratches, flat tires, etc.

IMPROPER USE and damage caused by users who weigh more than the weight limit indicated in the Owner's Manual.

LACK OF MAINTENANCE and failure to follow the conservation instructions in the Owner's Manual.

MODIFICATIONS or REPAIRS carried out by persons not authorized by Sunrise Medical.

PRODUCTS WITH NO INVOICE OR SERIAL NUMBER (when appropriate).

Life Expectancy

We estimate a life expectancy of 5 years for this product, provided that:

It is used in strict accordance with the intended use as set out in this document.

All service and maintenance requirements are met.

The estimated life expectancy can be exceeded if the product is carefully used and properly maintained.

The life expectancy can also be considerably reduced by extreme or incorrect usage.

The fact that we estimate a life expectancy for this product does not constitute an additional warranty.

Servicing Agents Only:

Any parts required should be obtained directly from Sunrise Medical. Do not use unauthorized parts or carry out unauthorized modifications.

DEALER STAMP

17.0 Service Advice/History

This section is designed to assist you in keeping a record of any service and repairs to your scooter. The service agent will complete this section and return the manual to you.

NOTE: Please contact your local Sunrise Medical approved servicing agent for any warranty, service or repair work required.

Model				
Serial Number				
Year	1	2	3	4
Service dates				
Controller				
On/Off switch				
Output plug				
Operation				
Dynamic braking				
Programmable configuration				
Batteries				
Physical Damage				
Connections				
Discharge tests				
Wheels/Tires				
Wear				
Pressure				
Bearings				
Wheel nuts				
Motors				
Wiring				
Noises				
Connections				
Brakes				
Brushes				
Free-wheel Device				
Chassis				
Condition				
Steering				
Upholstery				
Seat				
Back				
Armrests				
Electrical Parts				
Condition of loom				
Connections				
Lights & Indicators				
Test run				
Forward				
Reverse				
Emergency stop				
Left Turn				
Right Turn				
Up/Down slope				
Over obstacle				
Parking brake				

18.0 Service and Maintenance

After performing any maintenance or repairs on the scooter you must make sure that it is functioning correctly before it is used.

- Visually inspect the scooter to make sure its parts are correctly positioned and attached to the scooter and all fasteners are sufficiently tightened.
- Make sure that the seat is correctly fitted and adjusted.
- Switch on the scooter – Does the battery gauge flash? This signifies that there is a fault in the electronic system.
- Refer to section 8.0 for basic troubleshooting.
- Perform the parking brake check.
- Operate all of the electric options, including lights and indicators to make sure that they work correctly.
- Drive the scooter to make sure the scooter performs as it did before.

WARNING!

- If you are in any doubt about the performance requirements of your scooter contact your Sunrise Medical authorized dealer.
- Only carry out the maintenance tasks listed below together with any general cleaning.
- Do not attempt any task you are not sure of.

18.1 RE-USE

The scooter is suitable for re-use by a second owner. Accessories can be quickly and easily removed/fitted and seating adjustments can be made to suit a second owner.



Please give this Owner's Manual to the second user.

NOTE: The warranty is not transferable.

Maintenance and Inspection Schedule	Daily	Weekly	Quarterly	Six month	Annually
Check battery level indicator and charge if necessary.	*				
Check the control levers on the tiller are not bent or damaged.	*				
Ensure all removable parts are securely fastened.	*				
Check lap strap for wear and make sure the buckle is operational.	*				
Check the parking brake clicks on and off.		*			
Check tires and inflate if required.		*			
Ensure any visible nuts and bolts are tight.		*			
Ensure all cables and connectors are sound and are tidy and out of the way.		*			
Clean the scooter and upholstery regularly with a damp cloth and dry thoroughly.		*			
Battery terminal inspection – Remove any corrosion and apply Vaseline.			*		
Check upholstery, seating, headrests, arm pads for wear and check seat removal and refitting.				*	
Complete inspection, safety check and service should be made by a Sunrise Medical authorized dealer.					*

18.2 WHEEL REMOVAL

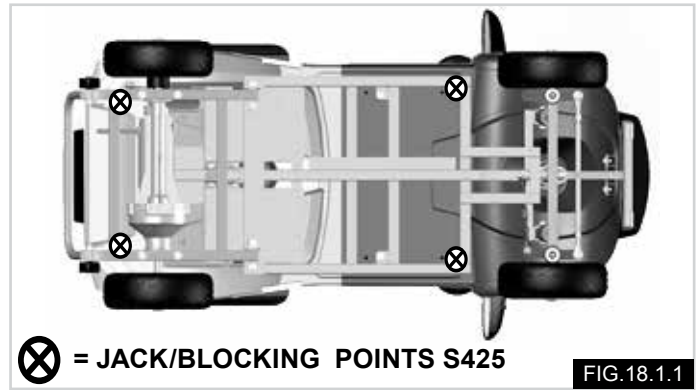
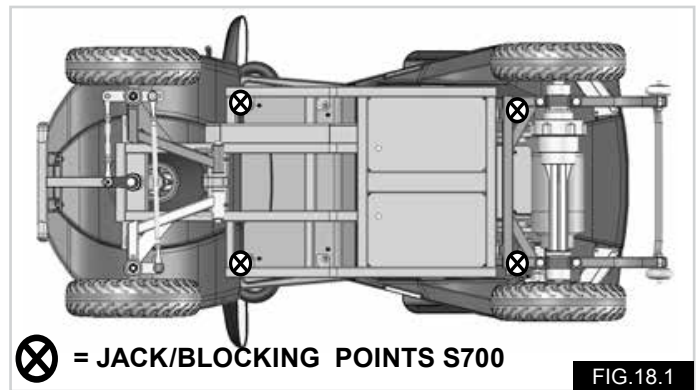
WARNING!

- It is not usually practical to try to repair a puncture in situ at the site of the occurrence. Sunrise Medical suggests that you call for help to remove the scooter either directly to an approved service agent, or to a safe place for collection by the approved agent at a later time.
- If you are in any doubt about the servicing requirements of your scooter contact your Sunrise Medical authorized dealer.
- Do not attempt any task you are not sure of.
- Do not attempt a puncture repair if the scooter has stopped in an unsafe area. Move the scooter to a safe area away from traffic and other hazards.
- Do not attempt a puncture repair in busy pedestrian areas.
- Do not attempt a puncture repair if the scooter is causing an obstruction.
- If you are using a jack or other equipment, always follow the user instructions given in the related Owners' Manual or User Instructions.
- Be aware that the scooter may fall off the jack at any time.
- Keep hands and feet clear of the scooter when it is on the jack.
- Do not stand the jack on uneven surfaces.
- Always use a support block or stand in conjunction with the jack.
- The scooter must be in drive mode with the power switched OFF and the keys removed, before jacking any wheel off the ground.
- Do not raise more than one wheel off the ground at any one time.

NOTE: Reverse the following procedures to refit the wheels unless otherwise stated.

18.2.1 S-SERIES FRONT WHEEL REMOVAL

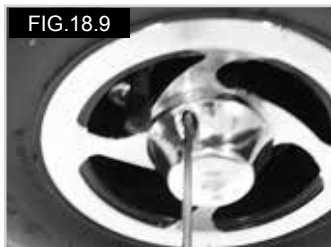
- Use a small Phillips screw driver to undo the two screws securing the hub cover and remove it, (FIG.18.2)
- Use a 6 mm Allen key/driver to loosen the nut, but do not remove it yet, (FIG.18.3).
- Elevate the front wheel by placing a jack under the relevant jack points, (FIG.18.1-18.1.1),
- When elevated, back up the jack with solid blocks to increase stability, (FIG.18.4).
- Use a 6 mm Allen key/driver or your fingers to remove the nut, (FIG.18.5).
- Do not lose the washers, (FIG.18.6).
- Withdraw the wheel off the tapered shaft, (FIG.18.7).
- The front wheel assembly is shown in FIG.18.8.



18.2.3 S-SERIES REAR WHEEL REMOVAL

NOTE: Points 1 and 2 and also 7 and 8 apply to the right hand wheel only and are not required for the left hand wheel.

1. Remove the seat, (Section 5.1).
2. Remove the battery cover, (Section 5.3).
3. Use a small Phillips screw driver to undo the two screws securing the hub cover and remove it, (FIG.18.9)
4. Use a 6 mm Allen key/driver to loosen the nut, but do not remove it yet, (FIG.18.10).
5. Elevate the rear wheel by placing a jack under the relevant jack points, (FIG.18.1),
6. When elevated, back up the jack with solid blocks to increase stability, (FIG.18.11).
7. Locate the two screws securing the brake caliper and undo the screws using a 5 mm Allen key, (FIG.18.12).
8. Remove the brake caliper, (FIG.18.13).
9. Use a 6 mm Allen key/driver or your fingers to remove the nut, (FIG.18.14).
10. Withdraw the wheel off the tapered shaft. (FIG.18.15).
11. Withdraw the drive key from the tapered shaft. (FIG.18.16).
12. The rear, right hand wheel assembly is shown in FIG.18.17.



18.3 CHANGING THE INNER TUBE (ALL)

- Ensure any remaining air is expelled by pressing the valve with a small screwdriver and squeezing the tire.
- Use a 6 mm Allen key/driver to undo the rim studs.
- Lift the outer rim off.
- Lift the tire of the inner rim.
- Gently get hold of the inner tube just behind the valve.
- Carefully feed the tube out of the tire.

To refit:

- Place the tube inside the tire and rest it on the outer rim.
- Align the valve stem with the cut out on the rim.
- Face the valve stem outward.
- Place the inner rim over the tire, tube and outer rim.
- Align the cut out to fit over the valve stem and match it up to the cut out in the outer rim.
- Make sure the stud mounts are in line on both rims.
- Tighten the studs evenly using the opposites sequence, going around once to close the rims and then again to tighten fully, taking care not to pinch the tube.
- Slowly inflate to the appropriate pressure.

WARNING!

- Do not use high pressure air delivery systems such as those found on garage forecourts, to inflate the scooter tires.
- Always use a new inner tube.

18.4 CHECKING THE TIRES

Check the tires at least once a week for signs of wear and damage.

Check for:

- Excessive wear on the tire tread.
- Uneven wear over the surface of the tire.
- Cuts or holes in the tire tread.
- Cuts or holes in the tire walls.
- Sharp objects stuck in the tire.
- Tire pressures.
- Tire studs/nuts are tight.
- Damage to wheel rims.
- Foreign materials/contaminants. (FIG.18.40-18.41)

WARNING!

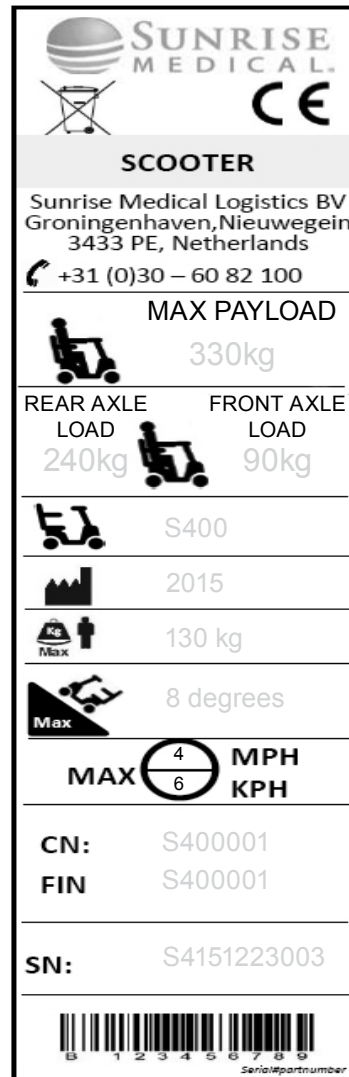
- Put the scooter in drive, switch the scooter off and remove the key before carrying out the checks.
- Never use the scooter if the tires are found to be defective after carrying out the above checks.
- Wear protective gloves if you have to physically touch the tires or undercarriage and afterwards wash your hands thoroughly.


18.5 WHEEL SIZES

S425	Wheel Size
Front	12 Inches / 30 cm
Rear	12 Inches / 30 cm
S700	Wheel Size
Front	13 Inches / 33 cm
Rear	13 Inches / 33 cm

19.0 Nameplate

The nameplate is located on the seat post of the scooter, as well as on a label in the Owner's Manual. The nameplate indicates the exact model designation and other technical specifications. Please provide the following pieces of information whenever you have to order replacement parts or to file a claim:




SUNRISE MEDICAL 


SCOOTER


Sunrise Medical Logistics BV
Groningenhaven, Nieuwegein
3433 PE, Netherlands
+31 (0)30 – 60 82 100


MAX PAYLOAD
330kg

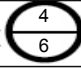
REAR AXLE LOAD	240kg	FRONT AXLE LOAD	90kg
----------------	-------	-----------------	------

 S400

 2015


 Max 130 kg

 Max 8 degrees

MAX  **MPH**
KPH

CN: S400001
FIN: S400001

SN: S4151223003


Serial#partnumber

NOTE: The above serial number diagram is an example only. Actual weights and numbers will vary according to product type.

Due to our policy of continuous improvement in the design of our wheelchairs, product specifications may vary slightly from the examples illustrated. All weight/dimensions and performance data are approximate and provided solely for guidance.

Sunrise Medical complies with the EU Medical Devices Directive 93/42/EEC

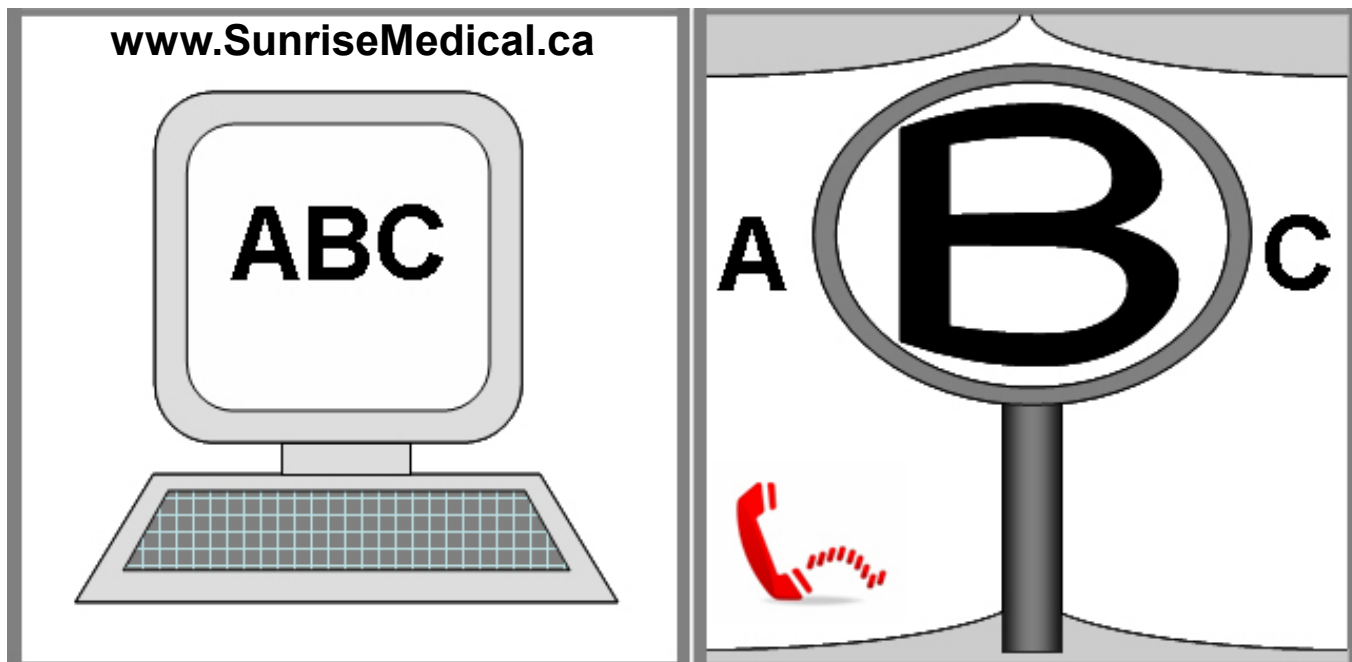


All wheelchairs must be used in accordance with the manufacturer's guidelines.

Manufactured by:

Sunrise Medical B.V.
Groningenhaven 18-20
3433 PE NIEUWEGEIN
The Netherlands
T: +31 (0)30 – 60 82 100
F: +31 (0)30 – 60 55 880
E: info@sunrisemedical.nl
www.SunriseMedical.nl





Si vous souffrez de déficience visuelle, ce document peut être consulté en format PDF sur www.SunriseMedical.ca

Pour de plus amples informations sur les spécifications, options et accessoires, reportez-vous au bon de commande.

Toutes les informations peuvent être modifiées sans préavis.

N'hésitez pas à contacter Sunrise Medical pour toute question.

 **DANGER!**

SI VOUS AVEZ BESOIN D'UN TEXTE AVEC DES POLICES DE CARACTÈRE, SUNRISE MEDICAL VOUS RECOMMANDE FORTEMENT DE PASSER UN EXAMEN CLINIQUE DE LA VUE AVANT D'UTILISER CE PRODUIT.

Cela n'affecte en aucun cas votre garantie.

À toute fin de communication officielle, ce produit peut être identifié au moyen du numéro de série indiqué sur l'étiquette apposée sur le montant du siège du scooter. et également par une seconde étiquette, indiquant le numéro de série, présente dans le manuel d'utilisation.

Chère cliente, cher client,

Vous avez choisi un produit de SUNRISE MEDICAL de grande qualité. Nous nous en réjouissons.

Ce manuel d'utilisation vous fournira de nombreux conseils et suggestions de sorte que votre scooter deviendra pour vous un partenaire familial digne de confiance.

Notre objectif est que vous soyez satisfait de nos services. Sunrise Medical s'attache à améliorer en permanence ses produits. Ainsi, des modifications quant à la forme, à la technique et à l'équipement peuvent être apportées à notre gamme de produits. Aucune réclamation ne pourra donc être adressée au sujet des informations et illustrations de ce manuel d'utilisation.

Le système de gestion de SUNRISE MEDICAL est certifié ISO 9001, ISO 13485 et ISO 14001.



En sa qualité de fabricant, SUNRISE MEDICAL, déclare que les scooters sont conformes à la directive 93/42/CEE telle que modifiée par 2008/47/CEE.

Adressez-vous à notre service après-vente SUNRISE MEDICAL, compétent et agréé, pour toute question concernant l'utilisation, la maintenance ou la sécurité de votre scooter.

En l'absence de revendeur près de chez vous ou si vous avez des questions, contactez-nous par courrier ou par téléphone (vous trouverez nos coordonnées au dos du manuel aussi).

Distribué par:

Sunrise Medical Canada Inc.
237 Romina Drive, Unit 3
Concord, ON
L4K 4V3
Phone: 1-800-263-3390
Fax: 1-800-561-5834
www.SunriseMedical.ca

Terme	Définition
DANGER!	Indication d'un risque potentiel de blessures sérieuses ou de mort en cas de non-respect des consignes
AVERTISSEMENT!	Indication d'un risque potentiel de blessure en cas de non-respect des consignes
ATTENTION!	Indication que le matériel peut être endommagé si le conseil fourni n'est pas suivi
REMARQUE:	Conseil d'ordre général ou pratique recommandée
	Se rapporter à un document connexe
	Ce véhicule n'a pas été soumis aux essais de collision. Cette étiquette est également apposée sur le châssis arrière du scooter, à proximité des roulettes antibascule.
	Arrimer le véhicule à l'aide de sangles pendant le transport. Ne pas rester sur le scooter lors du déplacement à bord d'un véhicule.
	Guide de démarrage rapide

1.

2.

22217029

Guide de démarrage rapide

Voir les sections:

5.0 Enlèvement du siège

5.3 Batteries

Coller ici l'étiquette du numéro de série

Utilisation

Usage prévu du scooters :

Ils sont prévus pour une utilisation dans les lieux publics et dans les endroits similaires en présence de trottoirs et d'allées piétonnes, et sur des sols à surface dure et ferme. Toujours respecter les limites sécurisées pour les pentes et le franchissement des obstacles.

Ils peuvent être utilisés sur la route en conformité avec la réglementation routière nationale. Ils sont prévus pour l'usage personnel d'utilisateurs ayant des difficultés à se déplacer ou à mobilité réduite.

La charge maximale de l'utilisateur, (poids de l'utilisateur ainsi que tout accessoire éventuellement embarqué) est indiquée sur la plaque signalétique apposée sur le montant du siège.

La garantie n'est valable que si le produit est utilisé dans les conditions spécifiées et pour l'usage pour lequel il est prévu. N'apporter aucune modification au scooter sans autorisation préalable. Utiliser exclusivement des pièces et accessoires approuvés.

La durée de vie prévue pour ce scooter est de cinq années. Veuillez n'utilisez ET n'installez aucun composant tiers sur le scooter, à moins qu'ils n'aient été formellement approuvés par Sunrise Medical.

Champ d'application

De par son alimentation électrique, sa manoeuvrabilité et son système de freinage automatique, ce scooter est adapté aux personnes ayant une mobilité réduite suite, par exemple, à :

- Des douleurs articulaires et/ou rigidité dues, entre autres, à de l'arthrite ou à des rhumatismes
- Une respiration difficile due à des complications respiratoires ou cardiaques.
- Des difficultés à se déplacer suite à un infarctus
- Certains cas d'obésité

Il faut prendre ce qui suit en considération en ce qui concerne la mise à disposition du scooter et de toutes les options spécifiques disponibles :

- La taille de l'utilisateur, son poids, y compris la répartition du poids corporel.
- Le poids de tous les éléments transportés ou rangés dans le scooter doit être ajouté au poids de l'utilisateur et ils ne doivent pas dépasser tous ensemble la charge maximale du scooter.
- La constitution physique et psychologique de l'utilisateur.
- L'âge de l'utilisateur, ses conditions de vie et l'environnement dans lequel le scooter va être utilisé, par exemple : à proximité du domicile et dans la zone d'utilisation prévue.

En cas de doute, consultez un professionnel de la santé pour éviter d'exposer l'utilisateur à tout risque inconsidéré. Une évaluation des risques peut être requise dans certaines circonstances.

Sunrise Medical est certifié ISO9001, garantie d'une qualité irréprochable à toutes les étapes du développement et de la fabrication de ce scooter.



Important:

N'utilisez pas votre scooter avant d'avoir lu et compris les informations contenues dans ce manuel.

Caracéristiques

Caractéristiques des scooters Fortress S-Series :

De par leur conception modulaire, leur simplicité et les nombreux ajustements possibles, les scooters Fortress S-Series permettent un entretien, un recyclage et une remise en état simplifiés.

Dans le cadre d'une initiative d'amélioration continue de produit, Sunrise Medical se réserve le droit de modifier les spécifications et le modèle sans préavis. En outre, certaines fonctions et options disponibles ne sont pas compatibles avec toutes les configurations du scooter. Toutes les dimensions suivantes sont approximatives et sujettes à des modifications.

1. Panneau de commande
2. Accélérateur Wig-Wag
3. Siège réglable
4. Accoudoirs rabattables
5. Levier de débrayage
6. Couvercle bac batterie
7. Roues en alliage
8. Marchepied
9. Pare-chocs avant
10. Panier
11. Éclairage LED



Sommaire

Avant-propos	46
Explication des étiquettes / Définitions des termes	47
Utilisation	48
Champ d'application	48
Caractéristiques	49
Sommaire	50
1.0 Votre scooter	50
2.0 Comment utiliser ce manuel	51
3.0 Explication des étiquettes / Définitions	51
4.0 Sécurité	52
5.0 Assemblage & Options	58
6.0 Après l'utilisation de votre scooter	64
7.0 Système de commande du scooter	68
8.0 Dépannage - Affichage	72
9.0 Batteries et recharge	74
10.0 Réglages	77
11.0 Nettoyage	78
12.0 Livraison et stockage	78
13.0 Enlèvement	80
14.0 Serrage dynamométrique	80
15.0 Feuilles produit (EN 12184 et ISO 7176-15)	80
16.0 Garantie	83
17.0 Révisions / Historique	83
18.0 Révision et entretien	84
19.0 Plaque signalétique	87

REMARQUE : Pour toute question relative à l'utilisation, à l'entretien ou à la sécurité de votre scooter, contactez votre revendeur agréé Sunrise Medical. Si vous ne connaissez aucun revendeur dans votre région ou si vous avez des questions supplémentaires, vous pouvez écrire ou téléphoner à :

Distribué par:

Sunrise Medical Canada Inc.
237 Romina Drive, Unit 3
Concord, ON
L4K 4V3
Phone: 1-800-263-3390
Fax: 1-800-561-5834
www.SunriseMedical.ca

REMARQUE: Il vous est conseillé de noter dans l'encadré ci-dessous les coordonnées de votre service après-vente.
En cas de panne, contactez-le en lui donnant autant d'informations que possible sur la nature de la panne de sorte qu'il puisse vous aider efficacement et rapidement.

ADRESSE / SCEAU DU REVENDEUR



1.0 Votre scooter

1.1 INFORMATIONS PRODUIT:

Chez Sunrise Medical, nous voulons que vous profitiez pleinement de votre scooter Sterling S-Series. Le présent manuel d'utilisation vous permettra de vous familiariser avec le scooter et ses caractéristiques. Vous y trouverez des conseils pour une utilisation quotidienne, des consignes d'entretien faciles, des informations sur nos normes de qualité rigoureuses, ainsi que les conditions de garantie.

Votre scooter vous aura été livré prêt à l'emploi ; de nombreux accessoires sont disponibles pour votre scooter. Si vous souhaitez en savoir plus à ce sujet, n'hésitez pas à contacter votre revendeur agréé Sunrise Medical.

Votre scooter vous parviendra dans un excellent état, après avoir subi un contrôle rigoureux avant de quitter notre usine. Si vous suivez les conseils fournis sur l'entretien et le nettoyage de votre scooter, celui-ci gardera un aspect impeccable et vous donnera entière satisfaction.

Ce scooter a été conçu pour votre confort et votre sécurité, mais aussi pour durer. Il a fait l'objet d'études et de tests approfondis, menés par notre équipe de spécialistes.

Il s'adresse aux personnes de tous âges ayant des difficultés à marcher sur de longues distances ou pendant de longues durées. Le scooter est prévu pour une utilisation en intérieur (S425), dans les centres commerciaux et à l'extérieur (modèle S700). Il convient pour des utilisateurs de 160 kg (S700), et 150 kg (S425). Une variation au niveau du poids du chargement peut affecter les performances. Le scooter est prévu pour être conduit sur sentiers et sur routes pavées ou goudronnées, mais il ne convient pas pour une conduite dans la boue, l'eau, la neige ou sur des surfaces accidentées. Si vous n'êtes pas sûr que ce scooter électrique convient bien à vos besoins, n'hésitez pas à contacter votre revendeur agréé Sunrise Medical pour obtenir plus de précisions avant de l'utiliser.

REMARQUE : L'utilisation de votre scooter sur les trottoirs et les routes peut être soumise aux exigences légales du code de la route national et/ou des lois en vigueur relatives à la circulation routière



Si vous souhaitez procéder à divers petits réglages sur votre fauteuil, il est très important de vous référer à la section correspondante dans votre manuel d'utilisation. Veuillez consulter le manuel technique ou votre revendeur Sunrise Medical pour des ajustements plus complexes.

REMARQUE: Sunrise Medical vous conseille vivement de vous renseigner sur les différentes polices d'assurance proposées aux utilisateurs de scooter.

2.0 Comment utiliser ce manuel

2.1 INTRODUCTION:

Il est possible que les scooters illustrés et décrits dans le présent manuel ne soient pas complètement identiques au modèle que vous avez acheté. Toutefois, toutes les instructions fournies dans le présent manuel sont valables pour votre matériel, malgré les éventuelles différences minimales.

REMARQUE: Le fabricant se réserve le droit de modifier sans préavis les poids, mesures et autres données techniques indiquées dans le présent manuel. Tous les chiffres, dimensions et capacités indiqués dans ce manuel sont approximatifs et ne constituent pas des caractéristiques.

2.2 GARANTIE:

Si il vous plaît compléter la carte de garantie et la retourner pour enregistrer votre produit.

2.3 CONDITIONS DE GARANTIE- RÉPARATION SERVICE

APRÈS-VENTE:


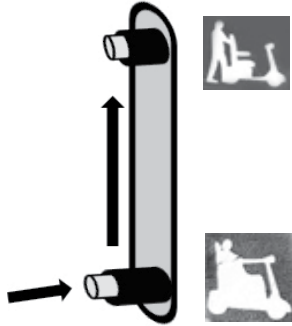

- 1) Tout travail de réparation ou de remplacement devra être effectué par un revendeur/technicien de service après-vente agréé Sunrise Medical.
- 2) Si votre scooter venait à nécessiter une attention particulière, vous devez, pour faire jouer la garantie en vertu de ce contrat, signaler immédiatement toute anomalie au service après-vente Sunrise Medical désigné, en précisant la nature de l'anomalie. Si vous vous trouvez dans une localité autre que celle du service après-vente Sunrise Medical désigné, le travail pourra, en vertu des conditions de la garantie, être effectué par un autre service après-vente désigné par le fabricant.
- 3) Si une pièce quelconque de votre scooter nécessite une réparation ou un remplacement du fait d'un vice de fabrication ou de matériel dans les vingt-quatre mois (6 mois pour les batteries) suivant la date à laquelle le scooter a été remis à l'acheteur d'origine, et à condition qu'il soit resté en possession de cette même personne, les pièces concernées seront remplacées (ou réparées) gratuitement. Si vous ne connaissez pas votre service après-vente le plus proche : veuillez contacter Sunrise Medical, à l'aide des coordonnées indiquées à la page précédente.
- 4) Toute pièce réparée ou remplacée bénéficiera de la garantie pour le reste de la période de garantie applicable au scooter.
- 5) Les pièces changées après la période de garantie seront couvertes pour une période supplémentaire de douze mois.
- 6) Les pièces d'usure (consommables) n'entrent généralement pas dans le cadre de la garantie, à moins que ces composants aient manifestement subi une usure exagérée résultant directement d'un vice de fabrication. Il s'agit, en autres, des toiles, des pneus, des chambres à air, des batteries, balais de moteur, etc.
- 7) Les conditions de garantie susmentionnées s'appliquent à toutes les pièces des scooters, pour les modèles achetés à plein tarif.
- 8) Dans des conditions normales, la garantie ne saurait être appliquée si le scooter nécessite une réparation

ou un remplacement pour l'une des raisons suivantes

- Le scooter, ou l'une de ses pièces, n'a pas été entretenu conformément aux recommandations du fabricant, telles qu'indiquées dans le Manuel de l'utilisateur et/ou le Manuel technique, ou des pièces autres que celles spécifiées pour ce matériel ont été utilisées.
 - Le scooter, ou l'une de ses pièces, a été endommagé suite à une négligence, un accident ou une utilisation inadéquate.
 - Le scooter, ou l'une de ses pièces, a été transformé ou une réparation a été entreprise avant d'en avoir notifié le service après-vente.
- 9) La garantie n'est valable que si le produit est utilisé dans les conditions spécifiées et pour l'usage pour lequel il est prévu.
 - 10) La garantie n'inclut pas le coût de la main d'œuvre pour réparer, enlever ou installer une pièce.

La durée de vie anticipée de ce produit est de 5 années.

3.0 Explication des étiquettes / Définitions

ETIQUETTE	SIGNIFICATION
	Cette étiquette indique le numéro du modèle, le numéro de série, le poids maximal et les détails du fabricant.
	Cette étiquette indique la position du levier de la roue libre. ROUE LIBRE ↕ CONDUITE
	Cette étiquette indique l'emplacement du commutateur ON et OFF pour le scooter et l'avertissement « veuillez lire le mode d'emploi ».

4.0 Sécurité

Si vous suivez les instructions de ce manuel, vous profiterez de nombreuses années d'utilisation sans problèmes.

4.1 AVERTISSEMENTS GÉNÉRAUX:

AVERTISSEMENT!

- Le modèle S700 est essentiellement prévu pour une utilisation à l'extérieur et est plus large que le modèle S425. En raison de ces dimensions élargies, lorsque vous utilisez le S700 à l'intérieur d'un bâtiment, veillez à ce que le bâtiment soit doté d'issues de secours adaptées et assez larges pour permettre le passage de votre scooter.
- Ce scooter peut être utilisé sur la route, assurez-vous que le code de la route local et les exigences médicales (telles que la vue) sont compris et respectés.
- Les données de chargement se réfèrent toujours à la présence d'une personne utilisatrice.
- Le scooter est autorisé pour être utilisé par une personne.
- N'utilisez pas votre scooter tout en étant sous l'influence néfaste d'alcool, de drogues ou pendant des périodes de maladies sévères/chroniques.
- Veillez à observer constamment tous les règlements du code de la route applicables aux piétons et à l'usager de la route.
- Assurez-vous toujours que votre scooter est éteint avant d'y prendre place ou d'en descendre.
- Vous devez toujours pouvoir atteindre facilement les commandes à partir d'une position confortable. Faites attention à votre posture. C'est un élément essentiel pour votre confort et votre bien-être.
- Faites toujours en sorte que l'on puisse vous voir de loin, surtout si vous utilisez votre scooter de nuit.
- Allumez les feux de signalisation du scooter de sorte que l'on puisse vous voir, de jour comme de nuit, dans des conditions de faible éclairage.
- Le scooter a été développé pour répondre aux besoins de la majorité des utilisateurs. Si une évaluation des risques personnels engendre des besoins spécifiques, il se peut que le scooter soit adapté et/ou reprogrammé.
- Ne laissez pas les enfants ni quiconque utiliser votre scooter.
- Ne soulevez pas le scooter en l'attrapant par des pièces amovibles, comme les repose-jambes, accoudoirs, etc.
- N'empruntez pas des côtes si le scooter est équipé de l'un des accessoires suivants : sacoche arrière, porte-fauteuil arrière, porte-ambulateur arrière, support pour bouteille d'oxygène. Ils pourraient déstabiliser le scooter.
- N'essayez pas de monter ou de descendre un escalator ou des escaliers.

ATTENTION!

4.2 CARACTÉRISTIQUES ET OPTIONS:

Certaines des options présentées dans ce manuel peuvent ne pas être disponibles dans votre pays et certaines caractéristiques peuvent être limitées (par ex. vitesse maximale, poids maximal de l'utilisateur, etc.).



Ces limites sont indiquées sur le bon de commande, dans le manuel technique et dans le présent manuel d'utilisation. Pour de plus amples informations, contacter le revendeur Sunrise Medical le plus proche.

DANGER!

4.3 VÉRIFICATIONS PRÉLIMINAIRES:

- Vérifiez toujours que Drive est sélectionné avant de mettre le scooter en mouvement.
- Le scooter émet un avertissement audible lorsque la roue libre est sélectionnée et ne permettra pas au scooter de se mettre en route.
- Évitez de tenter de manoeuvrer l'appareil à vitesse maximale.
- Si vous devez brusquement tourner, ralentissez d'abord en relâchant le levier de contrôle ou l'élément de contrôle de la vitesse, c'est très important si vous descendez une colline.
- Si vous ne ralentissez pas pendant une manoeuvre, votre scooter peut se retourner.
- Assurez-vous toujours que votre scooter ne soit pas sous tension avant d'y prendre place ou d'en descendre.
- Vérifiez toujours que l'on puisse vous voir clairement, surtout si vous utilisez votre scooter dans des conditions de faible visibilité.

4.4 FREINAGE D'URGENCE :

AVERTISSEMENT!

Si vous mettez la clé en position OFF pendant le déplacement du scooter, le moteur est coupé et le freinage est appliqué immédiatement. Cette méthode d'arrêt n'est pas recommandée sauf en cas d'urgence, étant extrêmement subite.

ATTENTION!

Une utilisation régulière du système de freinage d'urgence risque d'endommager le scooter.

4.5 PNEUS :

Les pneus d'un scooter sont sujets à l'usure en fonction de la fréquence d'utilisation du scooter. Vérifiez-les régulièrement, en particulier en termes de pression de gonflage, conformément aux instructions de service de ce manuel.

La pression de chaque pneu devrait être de :

SS425 = 2,7 bar (40 P.S.I.)

S700 = 2,7 bar (40 P.S.I.).

Reportez-vous à la section 5.26 pour des informations sur le bandage plein.

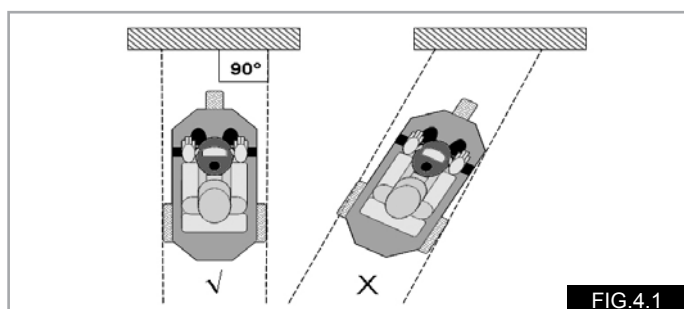
DANGER!

Ne gonflez jamais les pneus par une pompe à air de station service. Il est recommandé d'utiliser une pompe manuelle ou un manomètre.

4.6 TROTTOIRS, (FIG. 4.1):

DANGER!

- Faites attention aux autres véhicules et aux piétons lorsque vous montez sur le bord du trottoir.
- Ne franchissez pas des trottoirs d'une hauteur supérieure à 50 mm (modèle S425) ou 100 mm (modèle S700).
- Montez et descendez toujours des bords des trottoirs en faisant attention et en faisant directement face à la bordure.
- N'essayez ni de monter ni de descendre les trottoirs en marche arrière.
- Ne tentez jamais de descendre un trottoir d'une hauteur de plus de 50 mm
- Ne tentez pas la montée d'un trottoir élevé, d'une pente raide ou d'un carrossage à cause du risque de chute ou du basculement du scooter.
- Ne tentez pas l'escalade d'un trottoir à proximité d'une bouche d'égout, de surfaces inégales, ou d'un revêtement de graviers.
- Ne tentez pas l'escalade ni la descente d'un trottoir à un angle oblique. N'approchez qu'à un angle de 90° avec un élan d'au moins 500 mm. (20")
- Ne tentez pas de monter/descendre des trottoirs si le scooter est équipé de l'un des accessoires suivants : sacoche arrière, porte-fauteuil arrière, portedéambulateur arrière, porte-bouteille d'oxygène. Ils pourraient déstabiliser le scooter.



4.7 TRANSPORT À BORD D'UN VÉHICULE:

Ce scooter n'est pas prévu pour servir de siège à bord d'un véhicule.



N'a pas été soumis à un essai de collision

DANGER!

Un scooter arrimé dans un véhicule n'assurera pas le même niveau de sécurité que les sièges du véhicule. Il est toujours recommandé que l'utilisateur soit transféré au siège du véhicule.

REMARQUE: Pour le transport routier, ferroviaire, maritime ou aérien, reportez-vous à la Section 12, Expédition et stockage.

4.8 DISPOSITIF DE ROUE LIBRE, (FIG. 4.2):

Le scooter a deux modes de mouvement :

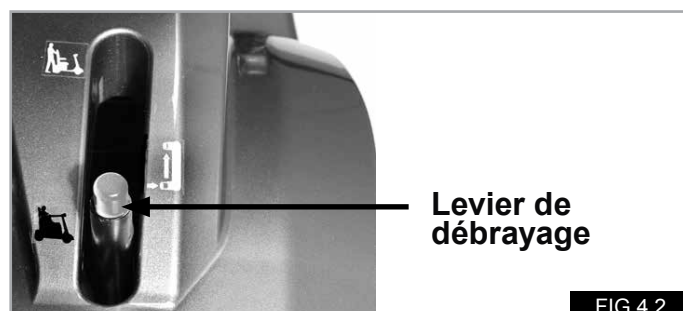
Conduite ou Roue libre.

- DRIVE = Tous les mouvements, y compris le freinage, sont contrôlés exclusivement en utilisant le système de contrôle électronique.
- ROUE LIBRE = Le déplacement est manuel, à savoir induit par la poussée ou la gravité (nids de poule, bordures de trottoirs, côtes ou descentes, etc.).

Enfoncez le bouton rouge et poussez le levier vers le haut pour régler le scooter en mode Roue libre (FIG. 4.2).

DANGER!

- Utilisez uniquement la fonction de roue libre pour pousser le scooter manuellement d'un endroit à l'autre.
- N'oubliez pas qu'en mode Roue libre, le scooter est dépourvu de système de freinage.
- En sélectionnant la roue libre, vous entendrez un klaxon d'avertissement audible provenant du klaxon du scooter.
- Pour des raisons de sécurité, le scooter ne peut plus être déplacé par le biais du levier de commande.
- N'activez pas le mécanisme de roue libre lorsque vous êtes à bord du scooter.
- Seule une personne ayant la force et la capacité à manoeuvrer complètement le scooter en roue libre est habilitée à utiliser le mécanisme de roue libre.
- Remettez toujours le scooter en position de conduite.
- Vérifiez toujours que la conduite est engagée avant d'utiliser le scooter.
- Ne désengagez jamais la roue libre sur ou à proximité d'une pente.
- Ne laissez personne vous pousser ou remorquer lorsque le scooter est en roue libre.



AVERTISSEMENT!

4.9 CEM - DISPOSITIFS DE TRANSMISSION

Si vous souhaitez utiliser une radio émettrice/réceptrice, un talkie-walkie, une bande de fréquence amateur CB, un système de communication mobile et autres dispositifs de transmission, vous devez d'abord immobiliser le véhicule, puis couper le contact. L'utilisation d'un téléphone sans fil, portable ou cellulaire, y compris les kits mains-libres, est autorisée, mais si vous constatez un fonctionnement anormal du scooter, vous devez immédiatement l'immobiliser et couper le contact.

REMARQUE : Les systèmes électriques du scooter peuvent causer des interférences avec les systèmes d'alarmes de certains magasins.

DANGER!

4.10 VIRAGES BRUSQUES :

Il est déconseillé de prendre des virages prononcés à vive allure. Avant de négocier un virage, réduisez la vitesse à l'aide de votre panneau de commande de vitesses. Ceci est primordial surtout lorsque vous vous trouvez dans une pente. À défaut, vous risquez de faire basculer le scooter.

DANGER!

4.11 CHARGE MAXIMALE:

- Le poids combiné de l'utilisateur, des options et accessoires, et des éventuels objets transportés ne doit jamais dépasser le poids total indiqué à la Section 1.1.
- Ne faites jamais de musculation à bord de votre scooter. Si vous dépassez cette limite, vous risquez d'endommager le siège, le châssis ou les fixations de votre scooter, ce qui pourrait entraîner de graves blessures, pour vous ou toute autre personne.
- Dépasser le poids limite rendra la garantie caduque.
- Ne suspendez jamais des sacs de provisions au guidon car ils peuvent se balancer et engendrer une perte de contrôle de direction.

4.12 SURFACES CHAUDES OU FROIDES :

AVERTISSEMENT!

Après une utilisation prolongée, les moteurs produisent de la chaleur, laquelle est dégagée à travers le carter extérieur.

- Ne retirez pas le capot arrière de batterie du blocmoteur pendant les 30 minutes qui suivent l'arrêt du scooter.
- Ne touchez pas le carter pendant au moins 30 minutes après avoir éteint le scooter. Cela lui laissera le temps de refroidir.
- Non seulement les moteurs peuvent s'échauffer pendant le fonctionnement du scooter, mais la toile intérieure et les accoudoirs peuvent également devenir chauds au soleil.
- N'oubliez pas que par temps très froid, les pièces métalliques exposées peuvent représenter un risque de brûlures par le froid, particulièrement si l'on a les mains mouillées.

4.13 PRUDENCE SUR LA ROUTE :

Veillez faire extrêmement attention aux piétons et aux autres usagers de la route.

DANGER!

- N'oubliez pas que les chauffeurs de voitures ou de camions ne s'attendent certainement pas à voir un scooter descendre d'un trottoir en marche arrière.
- S'il y a le moindre danger, ne prenez pas le risque de traverser la route.
- Lorsque vous traversez des routes, veuillez le faire le plus rapidement possible ; il peut y avoir du trafic.
- Soyez visible ! Portez toujours quelque chose de clair tel que des vêtements réfléchissants la lumière, un tabard réflecteur ou une veste lumineuse à la lumière du jour.
- Nous recommandons l'utilisation d'un drapeau de sécurité afin de rendre l'utilisateur plus visible.
- Pendant la nuit, lorsqu'il fait sombre ou avec une faible visibilité, utilisez toujours les phares, particulièrement lorsque vous conduisez sur la route.
- Respectez toutes les règles pour les piétons et le trafic.
- N'oubliez pas que sur la route, vous faites partie du trafic ; sur les trottoirs et lorsque vous traversez la route, vous êtes un piéton.
- Lorsque vous roulez sur la route, ne vous engagez pas dans des rues à sens unique dans le mauvais sens, utilisez le trottoir avec le contrôle de la vitesse réglé sur la vitesse adéquate (moins de 4 mph-6kph).
- Ne suspendez pas de sacs sur le guidon ou le levier d'ajustement du guidon.

4.14 CONDITIONS DÉFAVORABLES:

DANGER!

- Vous devez savoir que lorsque vous utilisez votre scooter dans des conditions défavorables, telles que sur des surfaces couvertes d'herbe mouillée, de boue, givre, neige ou sur des surfaces glissantes, l'adhérence et la traction de votre scooter peuvent être réduites. Nous vous recommandons de toujours agir avec la plus grande vigilance dans ces conditions, surtout en pentes, car votre scooter pourrait perdre de sa stabilité ou glisser et vous blesser.

DANGER!

Évitez de porter des vêtements amples ou longs lorsque vous utilisez un scooter ou un fauteuil roulant électrique. Les organes mobiles, comme les roues, peuvent être potentiellement dangereux, voire mortels, si un vêtement vient à se prendre dedans.

REMARQUE: Des variations climatiques extrêmes peuvent déclencher le mécanisme d'auto-protection du système de commande. Si tel est le cas, ce dernier s'arrêtera provisoirement afin d'éviter d'endommager des composants électroniques de votre scooter.

4.15 RAMPES:

DANGER!

- Si vous utilisez une rampe d'accès, assurez-vous que celle-ci est en état de supporter à la fois le poids du scooter et votre propre poids.
- Avant d'utiliser une rampe d'accès, vérifiez qu'elle est stable et correctement installée.
- Vous devez toujours monter sur une rampe en marche avant et avec prudence.
- Assurez-vous que la rampe est adaptée à l'usage que vous souhaitez en faire.
- Angle d'inclinaison maximum de la rampe : S700 = 10° (18%), S425 = 8° (14%)
- Respectez toutes les instructions fournies avec la rampe.
- N'oubliez pas que les accessoires attachés au scooter peuvent affecter la stabilité générale.
- N'utilisez pas de rampe d'accès si le scooter est équipé de l'un des accessoires suivants : sacoche arrière, porte-fauteuil arrière, porte-déambulateur arrière, porte-bouteille d'oxygène. Ils pourraient déstabiliser le scooter.

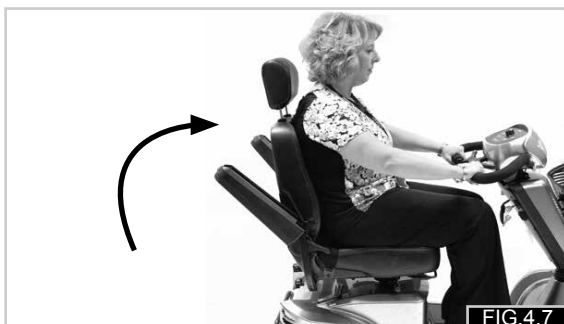
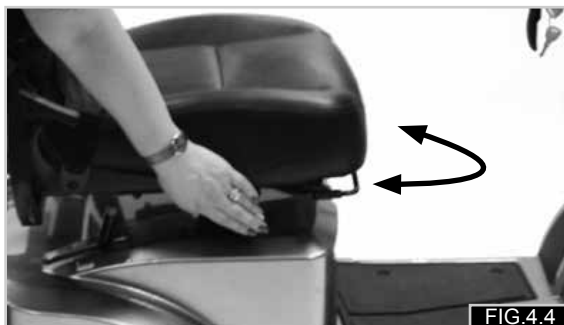
4.16 MONTER ET DESCENDRE D'UN SCOOTER

Monter à bord du du scooter

1. Assurez-vous que la clé de contact est sur la position Arrêt.
2. Mettez-vous sur le côté du scooter et levez l'accoudoir le plus proche, (FIG. 4.3).
3. Poussez le levier de rotation du siège vers l'avant et tournez le siège jusqu'à ce qu'il soit face à vous, (FIG.4.4 - 4.5).
4. Assurez-vous que le siège est verrouillé en toute sécurité dans sa position.
5. Installez-vous confortablement dans le siège (FIG.4.6).
6. Poussez le levier de rotation du siège vers l'avant et tournez le siège jusqu'à ce qu'il soit vers l'avant (FIG.4.7).
7. Assurez-vous que le siège est verrouillé en toute sécurité dans sa position et que l'accoudoir est rabattu, (FIG. 4.8).
8. Assurez-vous que vos pieds sont placés fermement sur la tôle de plancher du scooter et que vous pouvez atteindre toutes les commandes confortablement,(FIG. 4.8).

Descendre du scooter

1. Mettez votre scooter à l'arrêt complet.
2. Assurez-vous que la clé de contact est sur la position Arrêt.
3. Poussez le levier de rotation du siège vers l'avant et tournez le siège jusqu'à ce que vous soyez en face du côté du scooter, (FIG. 4.6).
4. Assurez-vous que le siège est verrouillé en toute sécurité dans sa position et que vos deux pieds sont sur le sol.
5. Sortez prudemment du siège et placez-vous à côté de votre scooter, (FIG. 4.3).
6. Dans cette position, vous pouvez quitter le siège ou le retourner pour qu'il soit vers l'avant.



4.17 ROULETTES ANTI-BASCULE:

AVERTISSEMENT!

- Avant d'utiliser le scooter, assurez-vous que les roulettes anti-bascule sont installées.
- Avant d'utiliser votre scooter, vérifiez que les roulettes anti-bascule ne sont pas endommagées, ni usées.
- Les accompagnateurs doivent impérativement connaître l'emplacement des roulettes anti-bascule pour éviter de se prendre les pieds en dessous et de se blesser.
- Ne permettez pas à des adultes ou à des enfants de prendre place sur les roulettes anti-bascule, ou sur toute autre partie du scooter, parce que cela pourrait faire perdre sa stabilité au scooter.

4.18 UTILISATION EN PENTE:

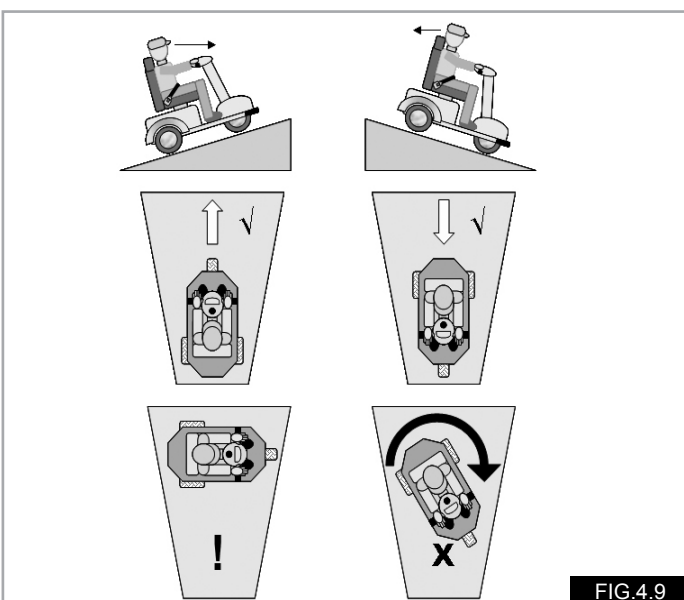
Votre scooter a été conçu et testé pour être utilisé sur une pente maximale de : S700 = 10° (18%) S425 = 8° (14%).

Afin d'améliorer la stabilité, penchez-vous vers l'avant lorsque vous montez une côte. Mettez le siège dans sa position la plus basse et le plus possible vers l'avant et mettez le dossier droit.

Lorsque vous descendez une pente, asseyez-vous dans une position droite ou inclinez légèrement le dossier pour compenser.

AVERTISSEMENT !

- Ne dépassez pas une pente maximale de : S700 = 10° S425 = 8°.
- Arrêtez-vous et remettez le dossier en position droite avant de monter une pente. Le non-respect de cette recommandation pourrait déstabiliser votre scooter.
- Si vous ne connaissez pas le comportement de votre scooter en pente, n'essayez pas de monter ou de descendre une pente/un trottoir. Empruntez un autre chemin.
- Lorsque c'est possible, montez et descendez les pentes en faisant directement face à la pente, (FIG.4.9).
- Ne tentez jamais de faire demi-tour sans vous arrêter lorsque vous montez ou descendez des pentes raides, (FIG. 4.9).
- N'oubliez pas que les accessoires attachés au scooter peuvent affecter la stabilité générale.



4.19 PENTES : MONTÉES :

Lorsque vous montez une pente, gardez le faire en mouvement si c'est sécurisé de le faire.

Manoeuvrez en utilisant doucement le guidon et en faisant des mouvements d'accélération. Le siège doit être placé dans sa position la plus basse et le plus possible vers l'avant et le dossier doit être bien droit.

AVERTISSEMENT!

- Si vous devez vous arrêter dans une montée, redémarrez tout doucement.
- Évitez les accélérations ou les freinages soudains.
- Évitez les virages raides.
- N'oubliez pas que la distance d'arrêt peut être plus longue lorsque vous êtes en pente.

4.20 PENTES : DESCENTES :

AVERTISSEMENT!

- Dans les descentes, il est important de ne pas laisser le scooter gagner trop de vitesse et dépasser sa vitesse normale.
- Il faut procéder lentement dans les pentes inclinées (vitesse inférieure à 5 km/h) et vous arrêter si vous craignez de perdre la descente.
- Si le scooter prend de la vitesse, relâchez le levier de contrôle pour arrêter tout mouvement vers l'avant, ensuite redémarrez doucement et ne permettez pas à la vitesse d'augmenter au-delà d'un niveau confortable.

4.21 CEINTURE SOUS-ABDOMINALE (SI NÉCESSAIRE) :

Avant d'utiliser votre scooter, assurez-vous que la ceinture sous-abdominale soit mise et réglée correctement avant utilisation.

La ceinture sous-abdominale est mise en place dans le scooter comme cela est illustré dans les photos, (FIG.4.10 - 4.15). Il est important que la ceinture soit fixée correctement et ne soit pas tournée.

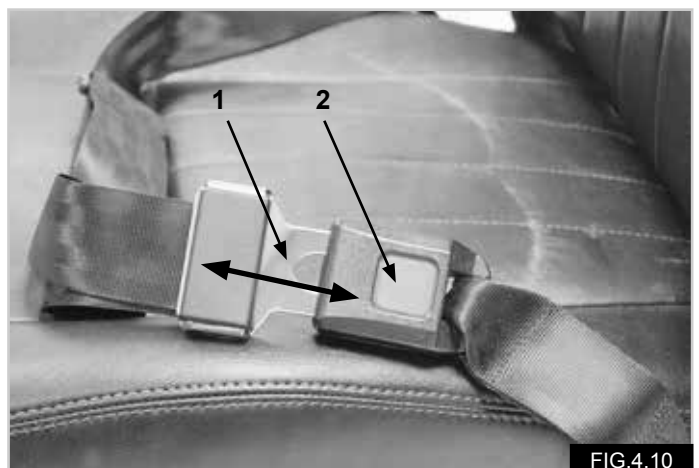
Pour verrouiller la ceinture :

Tirez la boucle au dessus de votre abdomen et poussez-la fermement dans la fente du récepteur, (1).

Assurez-vous qu'il n'y a pas de matériau excédentaire, et que la ceinture à une tension correcte. (FIG. 4.10)

Pour retirer la ceinture :

Appuyez sur le bouton rouge 'PRESS' pour relâcher la ceinture, (2), (FIG. 4.10).



DANGER!

- La ceinture sous-abdominale est fixée de façon à ce que les sangles reposent à un angle d'environ 45° et empêchent le haut du corps de glisser du siège (FIG.4.11).
- La ceinture sous-abdominale ne convient pas pour une utilisation lorsque le scooter et l'occupant sont transportés dans un véhicule.
- La ceinture sous-abdominale doit être contrôlée quotidiennement afin de s'assurer que l'ajustage est correct et que son fonctionnement n'est pas altéré par des éléments divers ou par l'usage.
- Ne pas s'assurer que la ceinture sous-abdominale est attachée en toute sécurité ou bien réglée avant l'utilisation peut provoquer des blessures graves à l'utilisateur. Ex. une sangle trop lâche peut permettre à l'utilisateur de glisser dans le siège et d'engendrer un risque d'étouffement.

Entretien:

- Vérifiez régulièrement l'état de la ceinture et des composants de retenue afin de détecter l'apparition d'éventuels signes d'endommagement ou de déchirure.
- Remplacez la ceinture, si nécessaire.
- Nettoyez la ceinture sous-abdominale avec de l'eau chaude savonneuse et attendez qu'elle sèche.
- La ceinture sous-abdominale doit permettre d'avoir facilement un espace de la largeur d'une main entre le corps et la ceinture, (FIG. 4.12).
- Sunrise Medical recommande aussi que l'ajustement de la ceinture soient vérifiés quotidiennement afin de réduire les risques de réajustement de la ceinture à une longueur excessive causés par inadvertance par l'utilisateur final.
- Si vous avez des doutes au sujet de l'utilisation et de la manipulation de la ceinture demandez l'assistance de votre professionnel de la santé, de votre revendeur, de votre aide-soignant ou de votre tierce personne.

Pour votre confort, la ceinture sous-abdominale doit être attachée correctement au scooter. Si vous n'êtes pas certain de la fixation ou du fonctionnement de cette option, veuillez contacter votre revendeur Sunrise Medical agréé.



FIG.4.12



FIG.4.13



FIG.4.14

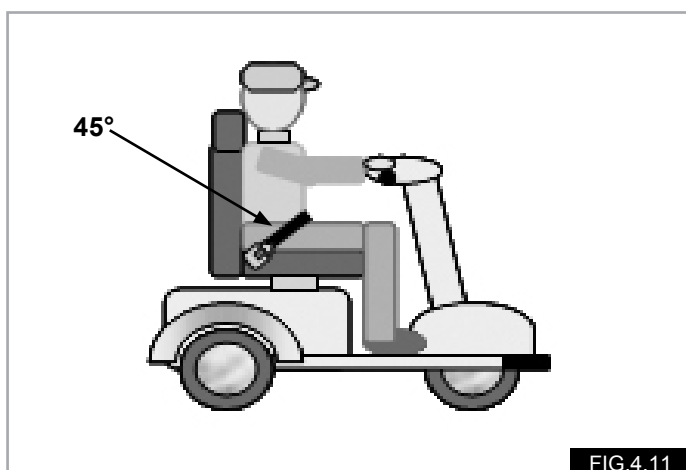


FIG.4.11

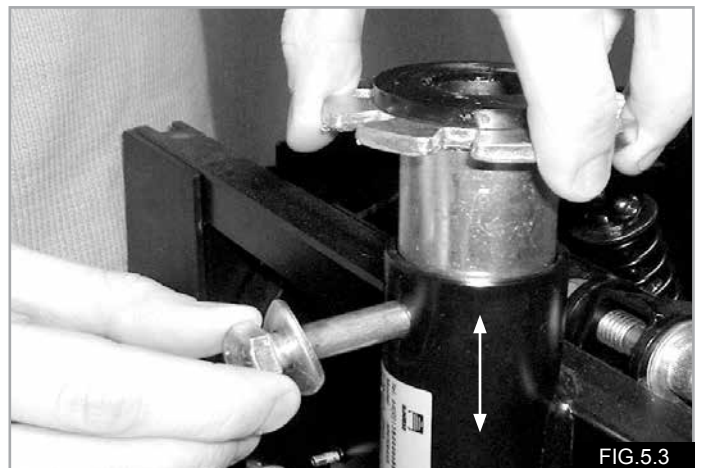


FIG.4.15

4.22 CONTRÔLE DE SÉCURITÉ

AVERTISSEMENT!

- Le poids combiné de l'utilisateur et des éventuels objets transportés ne doit jamais dépasser le poids total indiqué à la Section 1.1.
- Avant d'utiliser le scooter, assurez-vous qu'il n'est pas en roue libre et que l'intégralité des contrôles fonctionne correctement.
- En cas de dysfonctionnement constaté, faites réparer ou réinitialiser le scooter. Votre revendeur peut vous aider à identifier l'anomalie et à y remédier.
- Vérifiez que vos batteries sont bien chargées. Renoncez à toute utilisation si batterie faible. Il se peut que le scooter s'arrête subitement, de manière inattendue.
- Sachez qu'à chaque fois que vous montez ou descendez de votre scooter, il y a toujours un bref instant où celui-ci ne se trouve pas sous vous.
- Soyez extrêmement vigilant lorsque vous reculez. En cas de heurt du scooter à un obstacle, vous pouvez en perdre le contrôle ou chuter.
- N'utilisez jamais votre scooter en pente, à moins d'être sûr que vous pourrez en garder le contrôle.
- Lorsque vous vous déplacez, assurez-vous toujours que le dossier est droit et que le siège est face à l'avant.
- Soulevez toujours le scooter en saisissant des parties fixes, non amovibles du châssis.
- Ne court-circuitez jamais aucune connexion électrique, au risque de provoquer une explosion.
- N'utilisez pas le scooter si l'un des pneus est endommagé ou trop/trop peu gonflé.
- Lorsque vous utilisez un téléphone mobile, vous devez arrêter le scooter.
- Ne fumez pas lorsque vous êtes à bord du scooter.
- Si vous faites une pause, mais que vous restez assis dans le scooter pour une période plus longue qu'un simple moment, arrêtez le scooter en tournant la clé de contact.



5.0 Assemblage & Options

5.1 RÉGLAGES DU SIÈGE

AVERTISSEMENT!

Respectez toujours les bonnes techniques de levage lorsque vous soulevez des composants de plus de 10 kg. (22 lbs.)

Accoudoirs relevables, (FIG. 5.1). En l'attrapant par la partie avant, relevez l'accoudoir pour pouvoir monter et descendre facilement de votre scooter.

Réglage de la largeur de l'accoudoir, (FIG. 5.1). Desserrez les deux molettes (A) et écartez les accoudoirs à la largeur désirée. Resserrez les molettes (A) fermement.



Retrait des accoudoirs (FIG. 5.1).

Desserrez les deux molettes (A) et écartez les accoudoirs complètement de sorte à les sortir de leur tube de logement. Conservez-les en lieu sûr.

Levier de rotation du siège (FIG. 5.2) : Ce levier se trouve sous le siège, à droite. Poussez-le vers l'avant pour permettre au siège de tourner sur 360 degrés et relâchez-le pour verrouiller le siège dans la position désirée de 45 degrés.

Réglage de la hauteur du siège : (FIG. 5.3) Le siège peut être ajusté en hauteur, et 3 hauteurs sont possibles. Dévissez délicatement le boulon et glissez le montant à la position désirée. Resserrez le boulon à un couple de 25 Nm.

Mécanisme de glissement (FIG. 5.4) : Cela permet un glissement vers l'avant et vers l'arrière du siège. Soulevez le levier situé sous le siège, à droite, et à l'aide de vos jambes et de votre corps, déplacez le siège dans la position désirée. Relâchez ensuite le levier.

Enlèvement du siège (FIG. 5.5 - 5.8)

1. Poussez le levier de rotation du siège vers l'avant et pivotez le siège à 45°.
2. Placez-vous derrière le siège, soulevez les accoudoirs et pliez le dossier vers l'avant en soulevant le levier d'ajustement du dossier.
3. Placez vos mains de chaque côté de l'assise, poussez le levier de rotation du siège vers l'avant et soulevez le siège verticalement en gardant votre dos bien droit. Pliez les genoux si c'est nécessaire.

AVERTISSEMENT!

Le siège pèse lourd (35 kg). Faites-vous aider.



FIG.5.6



FIG.5.7

5.2. ROULETTES ANTI-BASCULE:

Elles sont mises en place en usine et ne doivent pas être enlevées. L'assemblage anti-bascule est vissé sur le châssis arrière du scooter, (FIG. 5.8).

AVERTISSEMENT!

N'utilisez jamais votre scooter s'il n'est pas équipé des roulettes anti-bascule!




FIG.5.5



FIG.5.8

5.3 BATTERIES:

 Lisez la section 9.0 de ce manuel pour obtenir des informations complémentaires sur la batterie et le chargement.

DANGER!

- Ne fumez pas à proximité des batteries. N'exposez jamais la batterie à une source de chaleur directe (comme par exemple, une flamme, ou un chauffage à gaz).
- Ne tentez pas de changer vous-même les fusibles.
- Ne tentez pas de faire une déviation du fusible, très dangereuse et pourrait provoquer un incendie.
- Si vous soupçonnez un défaut, contactez votre revendeur agréé Sunrise Medical le plus rapidement possible.
- Veillez à ne pas court-circuiter les bornes de batterie. N'oubliez pas que les outils, les bijoux, etc. peuvent être des éléments conducteurs et s'ils entrent en contact avec les terminaux de la batterie, ils peuvent causer des brûlures graves et/ou une explosion!
- Assurez-vous que les capuchons des bornes de la batterie sont en place.
- Les batteries sont lourdes. Utilisez des techniques de soulèvement correctes lorsque vous les enlevez du scooter.
- Pour lever les batteries, aidez-vous toujours des poignées ou sangles.
- Remettez toujours en place l'outil de retenue après avoir remis en place ou remplacé les batteries.

Retrait des batteries:

1. Déposez le siège (FIG. 5.5 - 5.8 page précédente)
2. Retirez le capot du compartiment à batteries. Pour cela, dévissez les trois molettes et soulevez le capot. Remarque : débranchez les fiches des feux arrière (FIG. 5.9 - 5.10)
3. Tirez séparément les deux moitiés des connecteurs en plastique de la batterie, (FIG. 5.11).
4. Si vous remplacez les batteries ou les gaines de batterie, enlevez le capuchon des bornes et déconnectez les bornes de la batterie à l'aide d'une clé à écrous de 11 mm (FIG. 5.12).
5. Retirez ou desserrez les sangles de retenue de la batterie.
6. Pliez les genoux alors que la batterie est positionnée juste en face de vous, reposez vos avant-bras sur vos genoux pour avoir un certain soutien (FIG. 5.13).
7. Saisissez la poignée de la batterie des deux mains (FIG. 5.13).
8. Soulevez verticalement en redressant vos jambes, et en gardant le dos droit (FIG. 5.14).
9. Placez la batterie dans un endroit sûr, tout en gardant le dos droit et en pliant les genoux lorsque vous vous abaissez.

Poids de la batterie:

Type de batterie		Poids kg
55 Ah à 20 hrs.	S425	18,0
75 Ah à 20 hrs.	S700	24,6



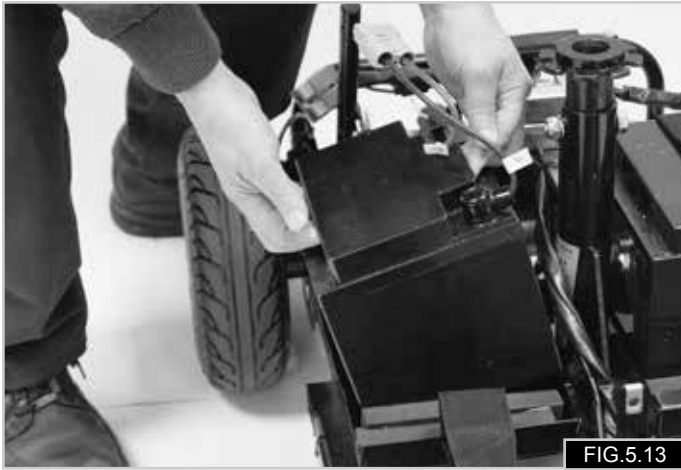


FIG. 5.13



FIG. 5.15

5.5 FEUX ET CLIGNOTANTS:

Avant FIG. 5.16

Arrière FIG. 5.17

Assurez-vous que l'éclairage et les clignotants fonctionnent correctement et que les verres sont propres avant l'utilisation en extérieur de nuit.

REMARQUE: Les phares montés sur le scooter comprennent des lampes LED. Elles sont très efficaces et fiables, ce qui signifie qu'il n'y a aucune « ampoule » à changer. Si un phare devait être endommagé, veuillez contacter votre agent de service Sunrise Medical local agréé pour tout service et toute réparation nécessaire et ressortant de la garantie.



FIG. 5.14

5.4 PORTE-CANNE/PORTE-BÉQUILLE (Non-inclus) FIG. 5.15

AVERTISSEMENT!

- Assurez-vous que le porte-canne est solidement fixé au dos du siège.
- Assurez-vous que la canne ne gêne pas les mécanismes du scooter.
- Assurez-vous que la canne ne dépasse pas latéralement de votre scooter.
- N'essayez pas de retirer la canne lorsque le scooter est en mouvement.
- Vous devez toujours être à l'arrêt et débrancher les commandes avant d'essayer de retirer la canne. Cela évitera de mettre le scooter en marche de façon accidentelle.



FIG. 5.16



FIG. 5.17

5.6 HOUSSE POUR SIÈGE:

Cette housse en option assure une protection supplémentaire du siège (FIG. 5.18).

⚠ AVERTISSEMENT!

Vérifiez que la housse est correctement placée, qu'elle n'empêche pas l'accès aux commandes du scooter et qu'elle n'entre pas en contact avec les organes mobiles du scooter.

5.7 APPUI-TÊTE:

L'appui-tête est fourni de série et fixé au siège. Pour en régler la hauteur, enfoncez le bouton situé au bas de la tige gauche et levez ou abaissez l'appui-tête jusqu'à ce qu'il s'enclenche dans l'encoche la plus proche de la hauteur désirée. Pour retirer l'appui-tête, enfoncez le même bouton et sortez l'appui-tête complètement de ses tubes de logement (FIG. 5.19).

5.8 SAC DE RANGEMENT ARRIÈRE:

Le sac s'attache au dos du siège. Il sert au rangement d'objets et d'articles en tout genre. Suivez les consignes d'installation fournies avec le sac (FIG. 5.20).

⚠ AVERTISSEMENT!

- Charge maximale = 10 kg.
- Le poids du conducteur et des bagages ne doit pas dépasser le poids maximum du scooter.
- N'empruntez pas des côtes lorsque cet accessoire est en place car il pourrait déstabiliser le scooter.

5.9 PORTE-FAUTEUIL/AMBULATEUR ARRIÈRE:

Cet accessoire permet de transporter un fauteuil roulant ou un dispositif d'aide à la marche. Il se fixe au support arrière situé au dos du siège. Suivez les consignes d'installation fournies avec le support (FIG. 5.21).

⚠ AVERTISSEMENT!

- Charge maximale = 15 kg.
- Le poids du conducteur et des bagages ne doit pas dépasser le poids maximum du scooter.
- Soyez conscient que les accessoires attachés augmentent l'empreinte effective du scooter.
- Redoublez de vigilance lorsque vous manœuvrez si votre scooter transporte un Rollator, un cadre de marche ou un fauteuil.
- Assurez-vous que la charge est correctement sécurisée avant de vous déplacer.
- Soyez conscient que la charge que vous transportez peut cacher les lumières arrière sur le scooter. Si tel est le cas,
- utilisez le trottoir, surtout lorsqu'il fait nuit.
- N'empruntez pas des côtes lorsque cet accessoire est en place car il pourrait déstabiliser le scooter.



FIG.5.18



FIG.5.19



FIG.5.20



FIG.5.21

5.10 PROTECTION POUR LE SCOOTER ET PROTECTION POUR LES JAMBES:

Ces options assurent une protection supplémentaire du scooter et de l'utilisateur lorsqu'il pleut (FIG. 5.22).

⚠️ AVERTISSEMENT!

Vérifiez que les protections sont correctement installées, qu'elles n'empêchent pas l'accès aux commandes du scooter et qu'elles n'entrent pas en contact avec les organes mobiles du scooter.

5.11 SUPPORT POUR BOUTEILLE D'OXYGÈNE:

Le support pour bouteille d'oxygène (A) se fixe au dossier à l'aide des sangles d'attache fournies. Le support est conçu pour accepter une bouteille de 4,0 kg, (FIG. 5.23).

⚠️ AVERTISSEMENT!

- Lorsque vous prenez de l'oxygène, respectez tous les règles de sécurité relatives à l'utilisation d'oxygène.
- N'entrez pas dans des zones dans lesquelles des flammes nues peuvent être utilisées.
- Ne pas fumer.
- N'utilisez pas d'appareils de transmission comme des téléphones mobiles, etc.
- N'empruntez pas des côtes lorsque cet accessoire est en place car il pourrait déstabiliser le scooter.

5.12 RÉTROVISEURS:

Votre scooter est doté de rétroviseurs. Pour les régler, prenez place sur le scooter et ajustez le rétroviseur de sorte à obtenir la meilleure visibilité possible derrière vous. Réglez les rétroviseurs de manière à obtenir une vision optimale des deux côtés du scooter (FIG. 5.23).

⚠️ ATTENTION!

Les rétroviseurs sont dotés d'un joint articulé à l'intérieur de leur tige. Veillez à ne pas forcer excessivement lorsque vous les réglez.

Pour retirer un rétroviseur, à l'aide d'une clé de 14 mm, desserrez le boulon de retenue, attrapez la tige du rétroviseur et tournez dans le sens anti-horaire jusqu'à ce que le rétroviseur se détache du guidon. Pour remettre le rétroviseur en place, inversez la procédure et serrez le boulon de retenue à un couple de 10-15 Nm, (FIG. 5.23).

5.13 BANDAGES PLEINS:

Les bandages pleins sont disponibles en option. Les bandages pleins offrent une plus grande sécurité pour l'utilisateur parce qu'ils ne peuvent pas crever.

REMARQUE: Les bandages pleins ont pour effet de produire une conduite plus ferme, (FIG. 5.24).



FIG.5.22



FIG.5.23



FIG.5.24

5.14 HOUSSE DE PROTECTION DU SCOOTER:

La housse est destinée à protéger votre scooter pendant les périodes d'entreposage à l'extérieur (FIG. 5.25).

⚠️ AVERTISSEMENT!

N'utilisez, ni ne déplacez jamais le scooter lorsqu'il est recouvert de la housse.

5.15 KIT DE RECHARGE EXTERNE:

Le kit de recharge externe permet de charger des batteries de secours pour votre scooter.

⚠️ AVERTISSEMENT!

Avant de charger les batteries, lisez attentivement la section du présent manuel relative à la recharge.

5.16 HEAVY DUTY SUSPENSION KIT: (S425 MODEL ONLY)

Le kit de suspension renforcé permet une conduite plus ferme à bord de votre scooter. Il est conseillé de faire installer le kit par votre revendeur Sunrise Medical.



FIG.5.25

6.0 Après l'utilisation de votre scooter

⚠️ AVERTISSEMENT!

- Certaines pièces sont lourdes. Adoptez toujours des techniques de levage appropriées.
- Si vous n'êtes pas certain de savoir lever ou retirer certains éléments ou effectuer toute autre tâche nécessitant un effort physique, faites appel à une personne en mesure de l'effectuer, qui vous aidera, ou contactez le revendeur Sunrise Medical le plus proche.

6.1 PRÉPARATION AU TRANSPORT:

Retirez les batteries comme décrit en Section 5.3. Pour lever les batteries, utilisez les poignées du berceau de sangle autour des batteries. Assurez-vous que le siège est enlevé (Section 5.1) ou plié et que la barre est pliée dans sa position la plus basse.

6.2 RÉUTILISATION DE VOTRE SCOOTER:

Suivez la procédure en sens inverse ;
Remplacez les batteries.

⚠️ AVERTISSEMENT!

- Ne soulevez jamais le scooter par les accoudoirs, le siège ou la barre, vous pourriez endommager l'utilisateur ou le scooter.

6.3 INCLINAISON DU DOSSIER DU SIÈGE:

⚠️ AVERTISSEMENT!

- Prenez garde lorsque vous ajustez l'angle d'inclinaison du dossier car il peut tomber vers l'arrière ou blesser l'utilisateur ou le scooter.
- Lorsque vous réglez l'inclinaison du dossier, faites attention de ne pas vous coincer les doigts.

L'angle d'inclinaison du dossier est ajusté par le levier présenté à la FIG. 6.1



FIG.6.1

6.4 POSITION DU SIÈGE:

Le siège du scooter peut être ajusté vers l'avant ou vers l'arrière. Le levier d'ajustement se trouve sur la droite en dessous de l'avant du siège. Tirez le levier vers le haut et utilisez vos jambes et votre corps pour vous déplacer dans la position désirée et relâchez le levier, (FIG. 6.2).



FIG.6.2

⚠ DANGER!

Votre scooter peut éventuellement être doté d'une butée installée en usine, destinée à limiter l'amplitude de mouvement de votre siège. Ne la retirez pas. Cette butée est là pour veiller à la stabilité de votre scooter lorsque vous vous déplacez en côtes ou en pentes.

6.5 RÉGLAGE DE LA PROFONDEUR/ANGLE D'INCLINAISON DE L'ACCOUDOIR:

Les accoudoirs du scooter peuvent être ajustés au niveau de l'angle pour un plus grand confort de l'utilisateur. Le boulon d'ajustement (1) se trouve en-dessous de l'accoudoir. Tournez le boulon pour augmenter ou diminuer l'angle d'inclinaison de l'accoudoir (FIG. 6.3). La profondeur de l'accoudoir se règle à l'aide des 2 boulons situés sous la manchette.



Fig.6.3

6.6 RÉGLAGE DU GUIDON:

⚠ DANGER!

- N'ajustez pas la barre lorsque le scooter est en action car vous pourriez être grièvement blessé en cas de perte de contrôle.
- N'utilisez pas la poignée d'ajustement de la barre pour tenir ou transporter des éléments tels que des sacs, etc.
- Assurez-vous que vos doigts ou d'autres éléments ne se trouvent pas à proximité de la barre inférieure lorsque vous faites des ajustements. Vous pourriez vous blesser grièvement en raison d'un coincement.

L'angle de la barre peut être ajusté pour monter et descendre du scooter et pour avoir une position de conduite confortable.

1. Tirez et levez le levier vers le haut.
2. Tenez le guidon et appuyez ou tirez la barre dans la position désirée.
3. Relâchez le levier.

La barre contient un montant au gaz pour aider à ajuster la position de la barre, (FIG. 6.4).



FIG.6.4

6.7 PENTES:

Veillez également vous reporter à la Section 4.20. Les consignes suivantes expliquent comment manoeuvrer correctement sur des rampes et pentes raides, en particulier en cours de descente (FIG. 6.5, page suivante).

⚠ DANGER!

- Il est conseillé de réduire votre vitesse dans les descentes, en particulier en marche arrière.
- Nous vous recommandons fortement de mettre le dossier de votre siège en position droite pendant les manoeuvres sur des pentes.
- Si vous arrêtez dans une inclinaison, redémarrez tout doucement et si nécessaire penchez-vous vers l'avant afin de faire contrepoids et d'empêcher le roue avant de se lever.
- Dans les descentes, il est important de ne pas laisser le scooter gagner trop de vitesse et dépasser sa vitesse normale. En effet, le plus sûr est de descendre lentement les pentes raides et de s'arrêter immédiatement en cas de doute quant à la maîtrise de la direction.
- N'empruntez pas des côtes si le scooter est équipé de l'un des accessoires suivants : sacoche arrière, porte-fauteuil arrière, porte-ambulateur arrière, support pour bouteille d'oxygène. Ils pourraient déstabiliser le scooter.

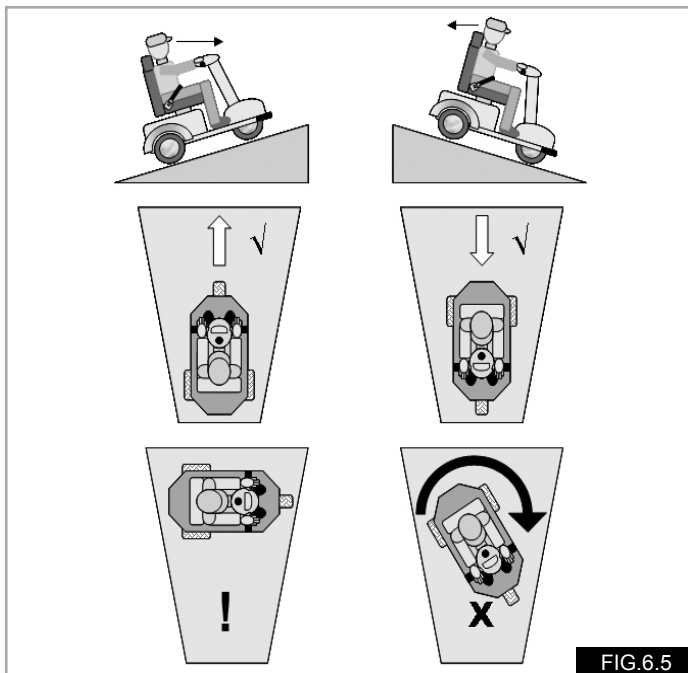
DANGER!

- Si le scooter accélère, relâchez le levier de contrôle pour ralentir ou arrêtez-vous complètement.
- Redémarrez lentement et ne laissez pas la vitesse augmenter.
- Assurez-vous que le scooter est en mode de conduite car cela garantit que le système de freinage automatique est actif.
- Monter ou descendre une pente avec les freins automatiques qui ne sont pas actifs est très dangereux et ce n'est pas recommandé.
- Veillez à ralentir si vous devez prendre un virage, en particulier dans les descentes.
- A défaut, vous risquez de faire basculer le scooter.
- Ne traversez pas une pente ayant une inclinaison de plus de 10° (S700) ou 8° (S425).
- Le non-respect de cette consigne peut entraîner le basculement du scooter.

6.8 MONTER UNE PENTE

(FIG. 6.5).

- Lorsque cela est possible, montez ou descendez les pentes ou les rampes directement de face.
- Lorsque vous montez ou descendez une pente très longue, il est recommandé de faire une pause pour interrompre le trajet. Cela va améliorer les performances et permettre au moteur du scooter de refroidir.
- Ne traversez pas une pente ayant une inclinaison de plus de 10° (S700) ou 8° (S425).
- Ralentissez toujours au maximum et utilisez prudemment la marche arrière dans les descentes.
- N'essayez pas de conduire le scooter lorsque les deux roues ne sont pas au même niveau, par exemple, si elles sont simultanément sur le trottoir et sur la chaussée.



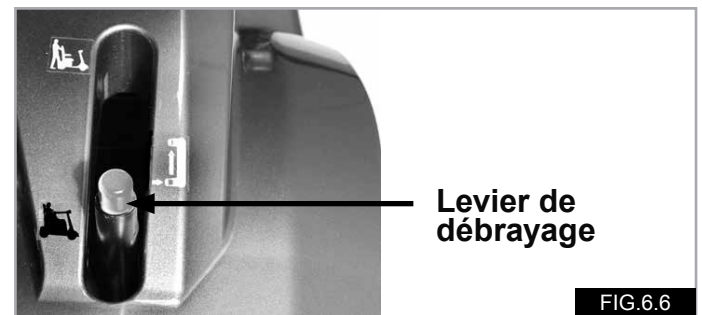
6.9 DISPOSITIF DE ROUE LIBRE:

DANGER!

Veillez également vous reporter à la Section 4.7.

- Ne vous asseyez pas sur le scooter lorsque le mode de roue libre est activé.
- N'essayez pas de conduire le scooter lorsque le mode de roue libre est activé.
- N'autorisez jamais d'autres personnes de pousser le scooter en mode de roue libre lorsque vous êtes toujours à bord.
- N'activez pas le mode de roue libre lorsque le scooter est arrêté ou garé sur une pente significative.
- Ne tentez jamais d'activer le mode de roue libre lorsque vous êtes toujours à bord du scooter.

Enfoncez le bouton rouge et poussez le levier en position haute pour régler le scooter en mode Roue libre. Si vous souhaitez pousser le scooter, moteur éteint, vous devez suivre cette procédure. Une fois le levier revenu à la position basse de conduite, chaque roue motrice se connecte automatiquement au mécanisme de propulsion et le bouton rouge revient en position verrouillée. (FIG.6.6).



6.10. PRESSION DES PNEUS:

Il est important de vérifier régulièrement la pression de gonflage, ainsi que l'état d'usure des pneus. La pression maximale recommandée pour les roues doit être de :
S700 = 2,7 bar (40 P.S.I.)
S425 = 2,7 bar (40 P.S.I.)
Pour de plus amples informations à propos des pneus, veuillez vous reporter aux Sections 18.2 et 18.3.

DANGER!

Ne gonflez jamais les pneus par une pompe à air de station service. Il est recommandé d'utiliser une pompe manuelle ou un manomètre.

6.11 FRANCHISSEMENT D'UN TROTTOIR OU D'UNE MARCHE:

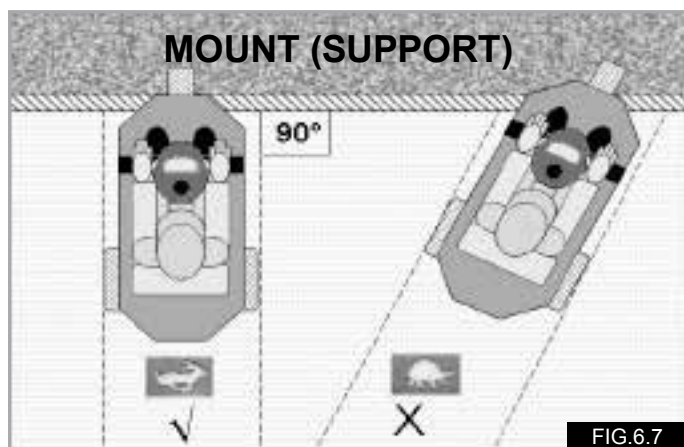
Le scooter est capable de monter et de descendre des trottoirs et des obstacles d'une hauteur de 50 mm pour le modèle S425 et de 100 mm pour le S700. Lorsque vous montez sur des bordures de trottoirs, n'oubliez pas de rouler vers l'avant et de faire face à la bordure dans un angle de 90°, (FIG. 6.7).

Approchez-vous de la bordure du trottoir ou de la marche pour être à minimum 500 mm, sélectionnez une vitesse moyenne ou élevée et roulez sans vous arrêter. Si vous vous pencher en avant, cela va également maximiser votre stabilité.

REMARQUE: Les utilisateurs plus lourds devront paramétrer une vitesse plus élevée.

⚠ AVERTISSEMENT !

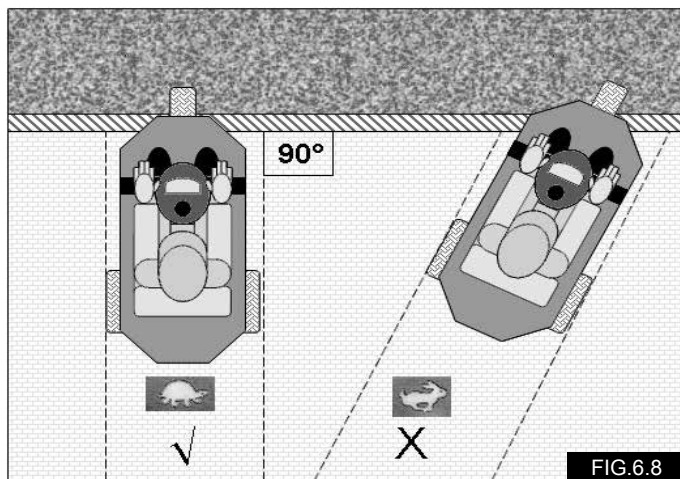
- La procédure et la vitesse d'approche peuvent varier selon les caractéristiques du scooter et les roues utilisées.
- Des pneus sous-gonflés peuvent entraîner une perte de contrôle lors du franchissement des trottoirs, et endommager le scooter. FIG. 6.7



6.12 DESCENDRE D'UNE BORDURE DE TROTTOIR OU D'UNE MARCHE:

Pour descendre d'une bordure de trottoir, faites face à la bordure dans un angle de 90°, mais sélectionnez une vitesse plus faible.

Avancez et faites lentement descendre votre scooter de la bordure du trottoir, les roues avant en premier lieu. Les roues de stabilisation arrière peuvent entrer en contact avec la bordure du trottoir lors de la descente, c'est normal, (FIG. 6.8).



6.13 UTILISATION DU SCOOTER À PROXIMITÉ DE L'EAU:

Faites extrêmement attention lorsque vous utilisez votre scooter à proximité d'une étendue d'eau. Les chemins de halage, les plages, les quais et les berges des rivières peuvent être dangereux.

⚠ DANGER!

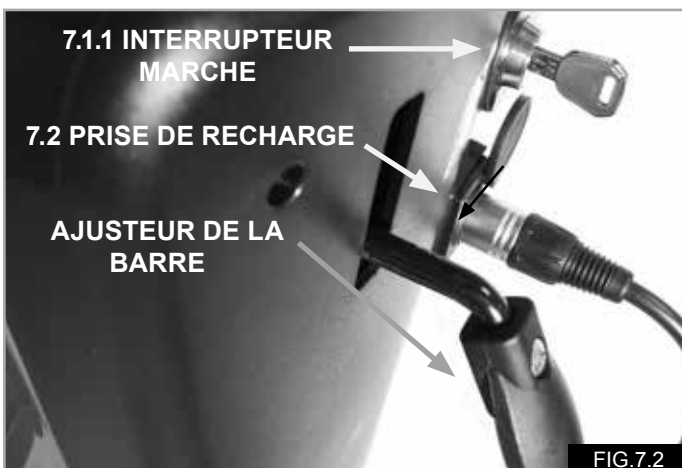
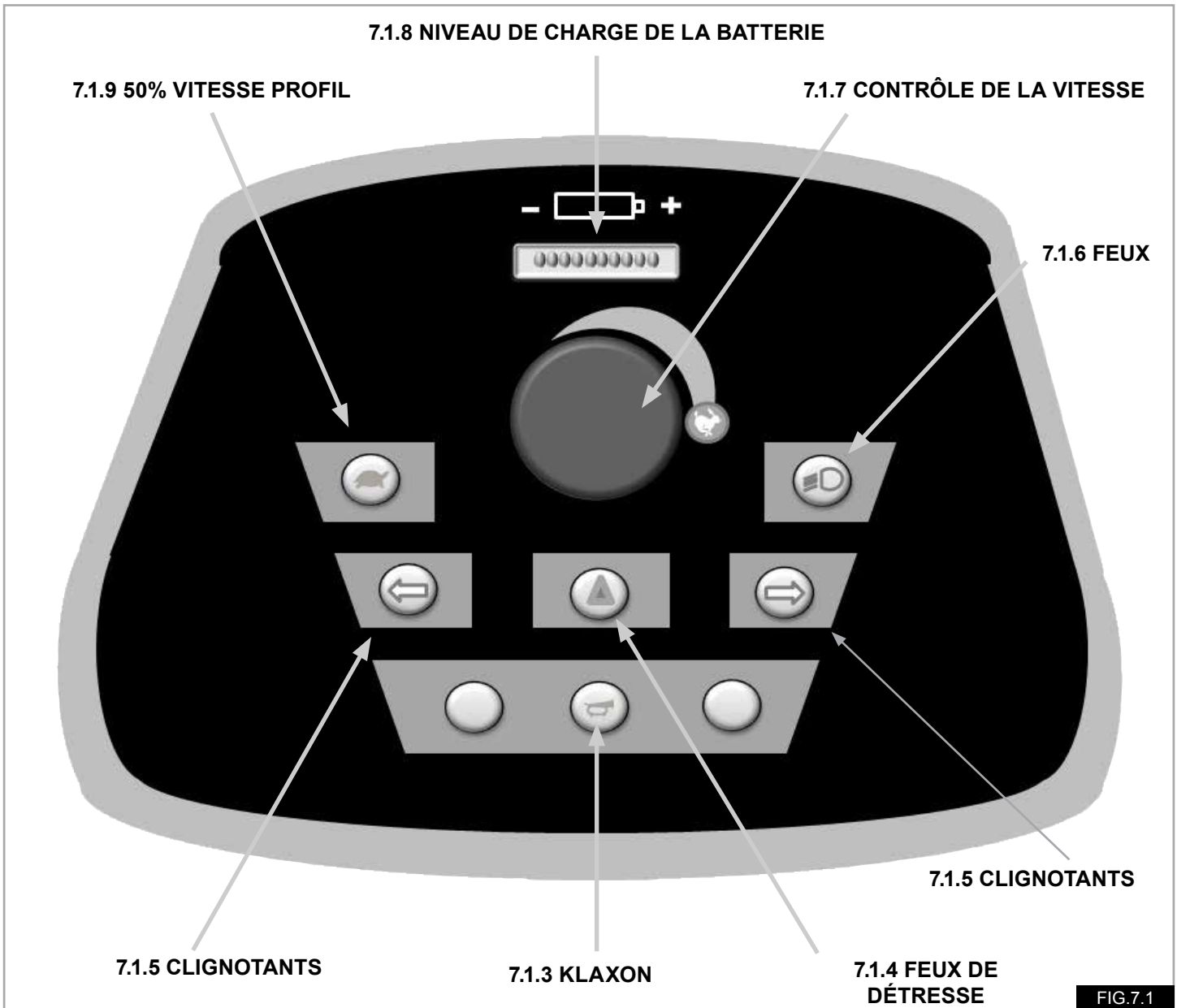
- Ne vous déplacez pas le long d'une surface glissante qui donne sur un plan d'eau.
- Gardez une distance d'au moins une longueur de scooter à partir d'une berge lorsque c'est possible.
- Faites attention aux obstacles dissimulés tels que les racines des arbres, les plaques d'égouts et les anneaux d'amarrage car ils peuvent donner lieu à une perte de contrôle si vous les touchez soudainement.
- Utilisez votre scooter à faible vitesse.
- Ne faites jamais marche arrière à proximité d'un plan d'eau.
- Ne montez ou ne descendez jamais des pentes raides à proximité de plans d'eau.
- Laissez-passer les piétons sur les chemins de halage et les trottoirs.
- Faites retentir votre klaxon pour indiquer votre présence.
- Ne tentez jamais de faire des manoeuvres autour de piétons si vous vous rapprochez beaucoup trop du bord de l'eau.
- Évitez les pentes sablonneuses, avec du gravier, de la boue et de l'herbe mouillée.
- Faites extrêmement attention lorsqu'il y a du vent parce que les vêtements amples tels que les capes et les manteaux peuvent soudainement s'envoler et vous faire perdre le contrôle ou entraver temporairement votre vue.
- Ne vous rapprochez pas d'un plan d'eau pendant une tempête.
- Lorsque vous êtes stationnaire, arrêtez le scooter en enlevant la clé.
- Respectez tous les règlements et réglementations locaux.

⚠ ATTENTION!

- Nettoyez toujours votre scooter dans les moindres détails s'il a été exposé à de la boue, du sable, du sel ou d'autres contaminants.
- N'utilisez pas de nettoyeur à haute pression, (voir la Section 11).

7.0 Système de commande du scooter

7.1 SYSTÈME DE COMMANDE DU SCOOTER



7.1.1 INTERRUPTEUR MARCHÉ/ARRÊT

L'interrupteur Marche/Arrêt alimente les composants électroniques du système de commande, qui à leur tour alimentent le moteur du scooter.

- Pour mettre en marche, insérez la clé verticalement et tournez-la sur 90 degrés dans le sens des aiguilles d'une montre.
- Pour arrêter votre scooter, remettez la clé en position verticale et enlevez-la, (FIG. 7.2).

AVERTISSEMENT!

- N'utilisez pas l'interrupteur Marche/Arrêt pour immobiliser le scooter, sauf en cas d'urgence. (Ceci aurait pour effet de réduire la vie des composants électroniques de votre scooter).
- Pour éviter tout mouvement imprévu ou involontaire du scooter et pour conserver la batterie, il est recommandé d'arrêter votre scooter lorsqu'il est stationnaire ou lorsqu'il n'est pas utilisé.

7.1.2 LEVIER DE CONTRÔLE (WIG-WAG)

Situé à proximité de la potence de guidons. La vitesse et le déplacement vers l'avant ou vers l'arrière sont contrôlés par l'intermédiaire du levier de contrôle wig wag.

Tirez doucement avec votre main droite ou avec le pouce gauche pour déplacer le scooter vers l'avant.

Plus le mouvement appliqué sur le levier de contrôle est prononcé, plus la vitesse augmente proportionnellement. La main gauche ou le pouce droit fait déplacer le scooter vers l'arrière et contrôle la vitesse du scooter en marche arrière.

Le levier se remettra de lui-même en place lorsqu'il sera relâché et vous vous arrêterez en douceur. Le frein est engagé lorsque le Wig-Wag est relâché, (FIG. 7.3).

AVERTISSEMENT!

Les réglages par défaut d'usine sont décrits ci-dessus. N'oubliez pas qu'il est possible que le fonctionnement de la pédale d'accélérateur soit inversé par la programmation du scooter, particulièrement si vous êtes un deuxième utilisateur.

Lorsque vous vous arrêtez, les feux de freinage LED arrière très visibles vont s'allumer. Ces feux fonctionnent également lorsque les feux du scooter sont allumés.

REMARQUE: Les fonctions d'avance et de renversement du sens de la marche peuvent changer de place et passer de la main droite à la main gauche, par l'intermédiaire de la programmation. Veuillez consulter votre revendeur Sunrise agréé.

AVERTISSEMENT!

Il est important d'arrêter votre scooter avant de passer du mode marche avant au mode marche arrière. Éteignez toujours le système de contrôle du scooter par l'intermédiaire de la serrure avant de monter ou de descendre du scooter.

7.1.3 KLAXON

Le klaxon retentit tant que le bouton est maintenu enfoncé.

7.1.4 FEUX DE DÉTRESSE

Lorsque le scooter est en marche, les clignotants LED avant et arrière vont clignoter simultanément lorsque vous appuyez sur ce bouton.

Les clignotants visuels sur les boutons de direction sur les claviers vont également s'allumer.

Appuyez à nouveau sur le bouton pour éteindre les feux de détresse.

7.1.5 CLIGNOTANTS

Si vous appuyez sur le bouton, vous allez allumer les clignotants LED avant et arrière dans un clignotement qui va indiquer que vous tournez le scooter. Sur le cadran, le voyant LED clignote. La coque des clignotants avant possède une lentille extra large qui permet d'être vu depuis tous les angles de conduite.

Pour éteindre les clignotants, appuyez à nouveau sur le bouton.

7.1.6 FEUX

Si vous appuyez sur le bouton, vous allez allumer le phare LED avant, et les phares LED arrière.

REMARQUE: Si vous laissez les lumières allumées par inadvertance après avoir utilisé le scooter, elles vont automatiquement s'éteindre lorsque vous enlèverez la clé Marche/Arrêt.

AVERTISSEMENT!

Assurez-vous que les phares et les clignotants fonctionnent correctement et que toutes les glaces sont propres avant d'utiliser le scooter pendant la nuit ou lorsqu'il y a une faible visibilité.

7.1.7 CONTRÔLE DE LA VITESSE

Il vous permet de déterminer au préalable la vitesse désirée pour votre scooter.

Tournez le cadran dans le sens inverse des aiguilles d'une montre pour ralentir et avoir un fonctionnement en douceur. Tournez-le dans le sens des aiguilles d'une montre pour augmenter votre vitesse au maximum. Sachez que seules l'expérience et la pratique feront de vous un conducteur compétent. Trouvez un environnement sûr et sans danger où vous entraîner à utiliser le scooter et vous familiariser aux commandes et fonctions.

AVERTISSEMENT!

Pour la sécurité de l'utilisateur et des autres piétons, Sunrise Medical recommande que la vitesse déterminée au préalable du scooter soit inférieure à 4 mph/6kph lorsqu'on conduit sur des trottoirs et d'autres sentiers réservés aux piétons.

7.1.8 Niveau de la batterie:

Il indique le chargement moyen de vos batteries. Vert signifie des batteries tout à fait chargées avec une réduction de la charge en direction du clignotant rouge. Rouge indique un avertissement et moins de la moitié du chargement des batteries, (FIG. 7.1.9). N'oubliez pas que la lecture du compteur va varier lorsque vous accélérerez ou lorsque vous monterez une pente, c'est tout à fait normal. La lecture est beaucoup plus précise lorsque le scooter fonctionne sur un sol plat.

7.1.9 50% Vitesse Profil:

(Bouton Tortue)

Ce bouton modifie la vitesse du scooter qui passe au pourcentage prédéfini de 50 % de la vitesse maximale et réduit l'accélération et la décélération.

C'est idéal lorsqu'on voyage à l'intérieur ou dans des espaces confinés.

Pour revenir en conduite normale, appuyez à nouveau sur le bouton, (FIG. 7.2.4).

Lorsque ce mode est activé, la vitesse du scooter peut également être davantage réduite à l'aide du bouton Tortue.

7.2 PRISE DE RECHARGE:

AVERTISSEMENT!

La douille de chargement doit seulement être utilisée pour connecter la prise du chargeur de la batterie du scooter au scooter.

La douille de chargement ne doit pas être utilisée pour fournir du courant à un autre appareil.

Le branchement de tout autre appareil électrique non approuvé sur cette douille aura pour effet d'endommager le système de commande ou d'influer sur la performance EMC du scooter.

Remettez toujours la capuche de la douille sur la prise de chargement lorsque la prise du chargeur de la batterie a été enlevée.

(FIG. 7.4).

Reportez-vous à la Section 9.0 pour de plus amples détails à propos du chargement.

7.3 PROGRAMMATION:

Lorsque le scooter quitte l'usine, les paramètres du contrôleur sont réglés pour prendre en compte la plupart des styles et des préférences de conduite. Cependant, le système de contrôle du scooter est très souple et va permettre de reprogrammer certaines fonctions. En cas de nécessité, la fiche de programmation peut permettre à un revendeur Sunrise Medical agréé de reprogrammer votre scooter.

Votre revendeur Sunrise Medical agréé peut également obtenir des informations de services très utiles par l'intermédiaire de la douille de programmation, à partir du dispositif de diagnostic qui se trouve à bord du scooter. Pour programmer le boîtier de commande, vous devez utiliser un périphérique de programmation spécial (logiciel de poche ou de PC) disponible exclusivement auprès de votre revendeur Sunrise Medical agréé.

DANGER!

- Seul le personnel autorisé et formé par Sunrise Medical peut programmer le scooter.
- Des paramètres de boîtier de commande erronés peuvent être à l'origine d'une conduite dangereuse et, par conséquent, de blessures et de dommages.

REMARQUE: Sunrise Medical rejette toute responsabilité en cas de dommages consécutifs à un arrêt ou mouvement imprévu du scooter consécutif à une programmation inappropriée ou une utilisation inadaptée du scooter.



FIG.7.4

7.4 UTILISATION DES COMMANDES:

Si c'est la première fois que vous conduisez un scooter, il vaut mieux vous entraîner dans un lieu clair et sécurisé et sur une surface propre. Mettez la clé dans sa serrure, mais ne mettez pas le scooter en marche.

Montez sur le scooter en suivant les instructions de la Section 4.16.

7.5 TECHNIQUES DE CONDUITE ÉLÉMENTAIRES:

Assurez-vous d'être correctement assis et de pouvoir atteindre confortablement toutes les commandes du scooter.

1. Mettez le contrôle de la vitesse à la vitesse la plus faible.
2. Tournez la clé dans le sens des aiguilles d'une montre (90 degrés) pour mettre le scooter en marche.
3. Utilisez le levier d'accélérateur Wig-Wag comme décrit précédemment. Accélérez légèrement, puis relâchez le levier pour vous arrêter en douceur. Exercez-vous jusqu'à ce que vous soyez familiarisé avec ces deux manœuvres élémentaires.
4. La conduite du scooter est simple et logique. Veillez à disposer de suffisamment d'espace mort dans les virages pour éviter tout obstacle avec les roues arrière.
5. Si vous coupez le virage d'un trottoir, la roue arrière risque d'être dans le vide, en particulier si ce virage est abrupt. Évitez toujours ce genre de manœuvre périlleuse en contournant l'obstacle le plus possible.
6. Lorsque vous devez manœuvrer dans un espace très restreint, par exemple pour passer une porte ou faire demi-tour, arrêtez le scooter et tournez le guidon dans la direction que vous souhaitez emprunter, puis accélérez lentement. Votre scooter tourne légèrement. Il est également conseillé de réduire la vitesse prédéfinie pour un meilleur contrôle dans les espaces confinés.

DANGER!

Le renversement du sens de la marche nécessite une attention supplémentaire étant donné que le champ de vision est restreint.

REMARQUE: L'utilisation du pouce droit ou des doigts gauches pour faire fonctionner le Wig-Wag va renverser le sens de la marche du scooter.

DANGER!

Veillez à éviter les obstacles et les piétons lors de vos premiers essais de conduite du scooter.

Avant d'utiliser votre scooter, assurez-vous que la hauteur du siège vous convient et que l'inclinaison du guidon vous garantit sécurité et confort.

DANGER!

- Lorsque vous conduisez votre scooter sur un trottoir, prêtez une attention toute particulière aux piétons et soyez très vigilant,
- Soyez extrêmement vigilant pour les jeunes enfants et les animaux.
- Conduisez prudemment et avec égard pour autrui en toutes circonstances, en particulier dans les lieux publics.
- Pour les manœuvres effectuées dans les espaces confinés, par exemple dans les magasins, pensez à sélectionner la vitesse minimale.
- Si vous laissez votre scooter sans surveillance, assurez-vous qu'il n'empêche pas des piétons ou d'autres usagers de la route de passer.
- N'oubliez pas de garder la clé sur vous à tout moment pour votre sécurité et sûreté.
- Pour la sécurité de l'utilisateur et des autres piétons, Sunrise Medical recommande que la vitesse déterminée au préalable du scooter soit inférieure à 4 mph/6kph lorsqu'on conduit sur des trottoirs et d'autres sentiers réservés aux piétons.

7.6 FREINAGE:

Pour arrêter le scooter, relâchez le levier Wig-Wag tout en gardant vos mains sur le guidon. Deux types de freinage vont automatiquement s'activer en séquence :

- Le freinage automatique par récupération qui ralentit et arrête le scooter.
- Le frein de stationnement automatique qui va fonctionner lorsque le scooter va s'arrêter. Le frein de stationnement automatique garde le scooter en position, même si vous êtes sur une pente.

REMARQUE: C'est un processus en deux étapes et il n'est pas instantané. Tout d'abord le scooter ralentit et s'arrête, ensuite le frein de stationnement entre en action. Lors du redémarrage, le frein de stationnement va se relâcher automatiquement. Si l'accélérateur est momentanément engagé et relâché, le frein de stationnement va se relâcher et s'activer à nouveau approximativement après un demi-tour de roue.

7.7 FREIN DE STATIONNEMENT SECONDAIRE

(FIG.7.5).

Votre scooter est doté d'un frein de stationnement secondaire. Si le mode Roue libre est sélectionné, le frein de stationnement secondaire peut être activé en actionnant le levier de frein à main (A) situé sur la gauche du guidon. Le frein secondaire est alors enclenché sur les roues arrière afin d'éviter tout déplacement involontaire lorsque le scooter est mode Roue libre (mode Conduite désactivé)

Avant de pousser un scooter placé en mode Roue libre, actionnez le petit levier (B) afin de relâcher le frein de stationnement secondaire.

DANGER!

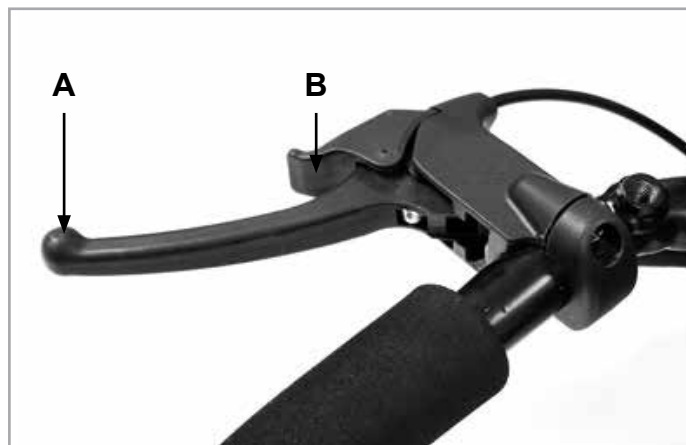
- Après avoir effectué les manoeuvres souhaitées en mode Roue libre, pensez à toujours ré-enclencher le mode Conduite. Il suffit pour cela de faire revenir le levier de débrayage en position Conduite.
- N'utilisez pas le frein de stationnement secondaire pour ralentir le scooter en déplacement.

7.8 FREINAGE D'URGENCE - CLÉ DE CONTACT

Dans l'hypothèse peu probable d'un déplacement involontaire du scooter, tournez la clé de contact sur OFF pour immédiatement immobiliser le scooter. Le freinage d'urgence est très efficace mais aussi très brusque. Il est recommandé de ne l'utiliser qu'en situation d'urgence.

7.9 ARRÊTER

Veillez à toujours couper le contact du scooter avec l'interrupteur de marche/arrêt.



8.0 Dépannage - Affichage

8.1 GUIDE D'AFFICHAGE DE LA BATTERIE:

(FIG.7.6).

Consultez toujours votre revendeur Sunrise Medical agréé lorsqu'un problème diagnostique s'affiche sur l'écran de votre scooter.

L'indicateur de batterie indique l'état du système de commande, ainsi que le niveau de charge restant.

Indicateur de batterie allumé en continu:

Cela indique que tout fonctionne normalement et présente le niveau de charge de la batterie.

REMARQUE : Le nombre de voyants LED allumés varie selon les conditions d'utilisation, par ex. ascension d'une côte, etc. Ceci est normal. L'indication la plus fiable est obtenue lorsque le scooter se déplace sur une surface plane.

Un ou plusieurs voyants LED de l'indicateur de batterie clignotent :

Anomalie - Pour signaler la présence d'une anomalie, l'indicateur de batterie fait clignoter les voyants LED. Les voyants LED clignotants indiquent que les circuits de sécurité du système de commande ont été activés ; le système de commande ne peut pas faire avancer le scooter.

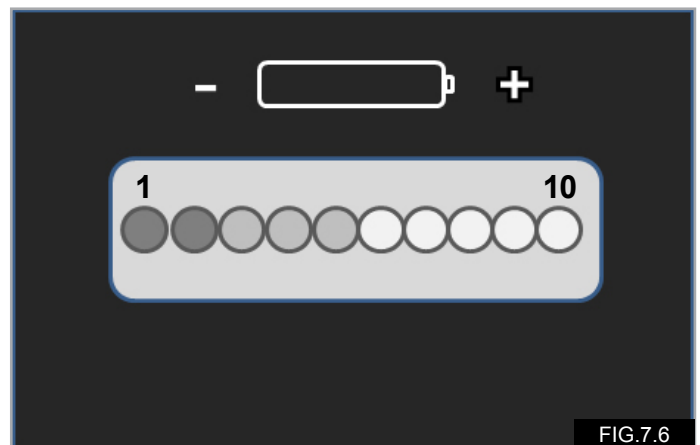


FIG.7.6

8.2 GUIDE DE DÉPANNAGE:

NOMBRE DE VOYANTS LED CLIGNOTANT	CAUSE POSSIBLE	SOLUTION
2	Tension faible des batteries	Les batteries nécessitent d'être rechargées ou problème de connexion. Vérifiez les connexions de la batterie. Si les connexions ne présentent rien d'anormal, rechargez la batterie.
3	Tension élevée	Le système reçoit une tension excessive. Ceci est généralement dû à un problème de connexion des batteries. Vérifiez les connexions des batteries. Vérifiez que vous utilisez le chargeur fourni avec votre scooter ou un autre chargeur approuvé.
5	Problème de solénoïde de freinage	Problème de connexion du frein moteur. Vérifiez les connexions du frein moteur et du moteur. Vérifier toutes les connexions du système.
6	Problème de levier d'accélérateur	Problème avec le levier d'accélérateur. Vérifier que le levier est au "point mort" avant d'allumer le scooter.
7	Problème de levier d'accélérateur	Problème avec le levier d'accélérateur. Vérifier que le levier est au "point mort" avant d'allumer le scooter.
8	Déconnexion du moteur	Problème de connexion du moteur. Vérifiez toutes les connexions et les câbles reliant le moteur au module d'alimentation. Vérifiez la position du levier de débrayage.
9	Problème éventuellement lié au boîtier de commande	Vérifier toutes les fiches et les prises
10 + Bips sonores	Mode Roue libre activé	Le mode Roue libre est activé et le mécanisme de désenclenchement du frein moteur est actionné. Vérifiez la position du levier de débrayage et positionnez-le sur CONDUITE. Mettez le scooter hors tension, puis à nouveau sous tension pour éliminer l'anomalie.

Étape suivante?

- Arrêtez le scooter.
- Vérifiez si l'une des prises ne s'est pas détachée ou déconnectée.
- Vérifiez l'état de la batterie et chargez-la si nécessaire.
- Si vous ne parvenez pas à identifier le problème, reportez-vous au guide de dépannage ci-dessus.
- Redémarrez le scooter et essayez de le conduire.

AVERTISSEMENT!

- Si les circuits de sécurité continuent de s'activer, éteignez le scooter et cessez de l'utiliser.
- Contactez votre revendeur agréé Sunrise Medical.

Autres anomalies de conduite:

Réaction et déplacement lents du scooter:

Si le scooter n'avance pas à pleine vitesse ou s'il met un temps avant de répondre à vos commandes alors que l'autonomie de la batterie est suffisante, vérifiez quelle est la vitesse maximale dans le profil.

Si après avoir modifié la vitesse, le problème persiste, cela peut indiquer la présence d'une anomalie sans danger.

Conduite impossible:


Chargeur branché au scooter ?

Le système ne parvient pas à faire avancer le scooter. Vérifier que le chargeur n'est pas branché au scooter. Débranchez le chargeur.

Contactez votre revendeur agréé Sunrise Medical.

9.0 Batteries et recharge

AVERTISSEMENT!

 Lisez attentivement le manuel d'utilisation fourni avec le chargeur. Les procédures générales et les effets d'interférence avec le scooter et les batteries restent valides.

- Ne pas fumer à proximité des batteries.
- N'exposez jamais les batteries à une source de chaleur directe (comme par exemple, une flamme, ou un chauffage à gaz).
- Lorsque vous rechargez les batteries, placez le chargeur sur une surface plane et stable dans un endroit bien aéré.
- Ne rechargez pas vos batteries à l'extérieur.

9.1. SPÉCIFICATIONS BATTERIE ET CHARGEUR:

Batteries:

S425 = 24 V (2x12 V) / 55 Ah., Type AGM sans entretien
S700 = 24 V (2x12 V) / 75 Ah., Type AGM sans entretien
Gel or AGM Type-maintenance-free

Dimensions:

Veillez vous reporter aux caractéristiques techniques.

REMARQUE: Des batteries avec différentes capacités sont disponibles en option.

Dimensions :

Veillez vous reporter aux caractéristiques techniques.

Chargeur:

Connecteur : 3 broches type "Neutrik"

Chargeur : 24 V d.c. 8 A Cyclique (S700-S425).

AVERTISSEMENT!

Utilisez exclusivement le chargeur livré avec votre scooter pour recharger les batteries.

9.2 FUSIBLES ÉLECTRIQUES:

Pour éviter une surcharge du scooter, des fusibles ont été construits dans les gaines de batterie. Les fusibles isolent automatiquement la batterie des systèmes de câblage et de commande du scooter en cas de court-circuit électrique.

Si vous soupçonnez un éclatement des fusibles, contactez votre revendeur agréé Sunrise Medical dès que possible afin qu'il effectue un diagnostic complet pour déterminer la cause initiale de l'anomalie.

AVERTISSEMENT!

- Ne tentez pas de changer vous-même les fusibles.
- Ne tentez pas de faire une déviation du fusible, très dangereuse. Si vous soupçonnez un défaut, contactez votre revendeur agréé Sunrise Medical le plus rapidement possible.

9.3 BATTERIES

Pour tous les avertissements et le processus d'enlèvement détaillé, veuillez vous reporter à la Section "5.3 Batteries".

9.4 INFORMATIONS D'ORDRE GÉNÉRAL SUR LES BATTERIES

La conception des batteries utilisées pour les véhicules de mobilité est radicalement différente de celles utilisées pour démarrer les voitures.

Les batteries de voiture sont conçues pour produire une grande quantité d'énergie sur une courte période, tandis que les batteries de mobilité (souvent appelées batteries à décharge poussée) libèrent leur énergie uniformément et sur une longue période.

Généralement, les véhicules de mobilité sont équipés de deux batteries de 12 volts, soit une tension totale de 24 volts.

La capacité des batteries, (c'est-à-dire la puissance disponible) s'exprime en ampères par heure, par exemple 75 Ah. Plus le chiffre est élevé, plus la capacité, le poids et l'autonomie de la batterie sont élevés et plus la distance pouvant être parcourue est grande. Sunrise Medical équipe ces types de scooters exclusivement avec des batteries sans entretien.

9.5 BATTERIES SANS ENTRETIEN:

Les batteries fournies avec votre scooter sont de type AGM. L'électrolyte est largement absorbé dans la fibre de verre et contenu dans l'enceinte de la batterie. Comme son nom l'indique, cette batterie ne nécessite aucun entretien, si ce n'est de la recharger régulièrement. Elles sont similaires aux batteries de type Gel. Les batteries n'ont pas été testées pour le transport aérien et ne sont pas homologuées IATA.

9.6 UTILISATION DES BATTERIES:

Au fil des ans, la technologie des batteries a certes évolué, mais les conseils d'utilisation n'ont pas pour autant suivi.

Ceci a eu pour conséquence d'engendrer bon nombre de confusions, voire de contradictions quant aux instructions d'utilisation des batteries.

Cette section vous aidera à dissiper certains de ces mythes et légendes.

Vous trouverez ci-dessous diverses recommandations relatives à l'utilisation des batteries. Ces recommandations ont été convenues entre Sunrise Medical et le fabricant de batteries pour vous permettre d'optimiser la capacité de vos batteries. Le non-respect de ces consignes risque de nuire aux performances de votre véhicule de mobilité.

9.7 RECOMMANDATIONS POUR LES BATTERIES SANS ENTRETIEN:

N'utilisez qu'un chargeur Sunrise Medical agréé compatible avec le véhicule à recharger.

- Rechargez vos batteries toutes les nuits, indifféremment de l'utilisation faite de votre véhicule de mobilité pendant la journée.
- N'interrompez pas le cycle de recharge.
- Il est conseillé de laisser votre fauteuil branché au chargeur pendant les périodes de non-utilisation. Ceci n'endommagera pas les batteries, dans la mesure où le chargeur est lui-même branché au secteur. Ne laissez pas votre fauteuil branché au chargeur si lui-même n'est pas branché. Cela aura pour effet de finalement décharger vos batteries.
- Ne rechargez pas vos batteries durant la journée entre deux trajets. Attendez le soir pour effectuer une recharge complète pendant la nuit.
- En règle générale, les batteries ne nécessitant pas d'entretien sont plus longues à recharger que les batteries "humides" au plomb.
- Chargez les batteries pendant au moins 8 heures pour garantir une charge pleine.

- Inspectez régulièrement les bornes des batteries afin de détecter toute trace éventuelle de corrosion. S'il y en a, nettoyez soigneusement les bornes (avec une brosse métallique si possible) et passez de la graisse sur les bornes. Il ne s'agit pas de graisse ordinaire, mais d'une graisse industrielle. Assurez-vous que l'écrou et le boulon des bornes, le clip de fixation du câble et le câble exposé soient complètement enduits de graisse.
- Le respect des conseils énumérés ci-dessus permettra de prolonger la durée de vie de vos batteries et les distances pouvant être parcourues, vous procurant ainsi un plus grand confort.
- Les batteries en fin de vie peuvent être rapportées à Sunrise Medical, à votre vendeur Sunrise Medical ou au centre de recyclage le plus proche pour procéder à leur élimination.

9.8 INFORMATIONS GÉNÉRALES SUR LE CHARGEUR:

Le chargeur externe a été conçu pour recharger deux batteries gel ou AGM de 12 volts connectées en série (= 24 V).

9.9 SPÉCIFICATIONS CHARGEUR:

⚠ AVERTISSEMENT!

Utilisez uniquement des chargeurs cycliques conçus pour des batteries de mobilité, du type GEL ou AGM, avec une puissance maximale ne dépassant pas 24V/10A.



Pour de plus amples informations sur le fonctionnement du chargeur, consultez les instructions qui l'accompagnent.

REMARQUE: Si le chargeur n'est pas connecté au scooter, aucune tension de charge n'est émise.

⚠ AVERTISSEMENT!

Il est possible que la boîte métallique du chargeur montre une légère montée de température due à son utilisation.

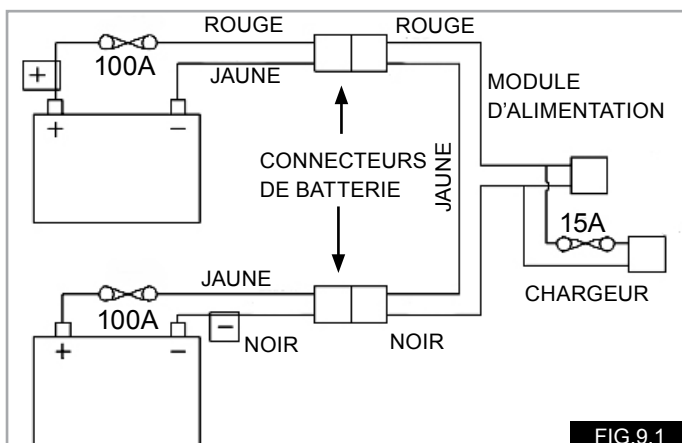


FIG.9.1

9.10 SÉCURITÉ DES CHARGEURS:

Le chargeur est doté de caractéristiques prévenant tout risque d'accident susceptible de survenir à la suite d'un mauvais branchement des batteries, d'une surchauffe résultant d'un emplacement du chargeur dans un endroit contre-indiqué ou d'une recharge des batteries à une tension autre que celle indiquée.

⚠️ AVERTISSEMENT!

- Remplacez toujours avec un fusible du type et de la taille indiqués.
- L'installation de fusibles différents pourrait endommager le chargeur ou empêcher le chargeur de fonctionner correctement.
- Si votre chargeur a été adapté pour un usage au Canada il va contenir une puce à trois proxy approuvé par le CSA.

9.11 PROCÉDURE DE CONNEXION DU CHARGEUR ET DE RECHARGE:

Le scooter peut être rechargé par l'intermédiaire de la prise du chargeur à l'arrière du panneau de la barre.
FIG.9.2

- Assurez-vous que le scooter est éteint.
- Connectez d'abord le chargeur au scooter.
- Branchez le chargeur au secteur et allumez-le.
- Le LED ROUGE va s'allumer pour montrer que le courant est activé, (FIG. 9.3).
- Le voyant LED ROUGE clignote, indiquant la présence d'une anomalie.
- Le LED JAUNE va s'allumer pour montrer que les batteries sont en cours de chargement, (FIG. 9.3).
- Le voyant JAUNE clignote, indiquant l'absence de batterie ou que la batterie branchée n'est pas compatible.
- Le voyant LED VERT s'allume lorsque la charge est terminée (FIG. 9.3).

⚠️ ATTENTION!

- Ne laissez pas le chargeur branché à la batterie lorsque la prise est débranchée ou lorsque le chargeur est éteint. Une décharge poussée sur une longue période de temps risquerait d'endommager votre batterie.
- Éteignez toujours le réseau électrique avant de déconnecter le chargeur du scooter.

⚠️ AVERTISSEMENT!

- Si le voyant ROUGE clignote, débranchez le chargeur de la prise secteur et contactez votre revendeur Sunrise Medical agréé.

9.12 CONSIGNES DE SÉCURITÉ RELATIVES AU CHARGEUR:

⚠️ AVERTISSEMENT!

- Le chargeur est prévu pour une utilisation à l'intérieur. Ne l'utilisez pas à l'extérieur et ne l'exposez pas à la pluie, à la neige, à l'arrosage ni à l'humidité.
- Si vous souhaitez acheter une batterie de recharge ou un chargeur, demandez conseil à votre service après-vente Sunrise Medical.
- Pour éviter d'endommager la prise et le cordon, veillez à toujours débrancher le chargeur en attrapant la prise elle-même et non pas le cordon.
- Assurer-vous d'avoir placé le cordon d'alimentation dans un endroit où personne ne risque de trébucher dessus, de l'abîmer ou où il peut représenter un risque.
- N'utilisez une rallonge qu'en cas d'extrême nécessité.
- L'utilisation d'une rallonge inadéquate peut provoquer un incendie ou une électrocution.
- Si vous devez utiliser une rallonge, vérifiez que les broches sur la prise de la rallonge correspondent en nombre, taille et forme aux broches de la prise du chargeur ; vérifiez également que la rallonge est correctement câblée et en bon état électrique.

REMARQUE: Le scooter peut rester en toute sécurité en chargement pendant plusieurs semaines. Lorsque le scooter ne doit pas être utilisé pendant une longue période de temps, rechargez d'abord entièrement les batteries et ensuite déconnectez-les du scooter. Rangez-le le plus possible à température ambiante.



FIG.9.2



FIG.9.3

9.13 AUTONOMIE DE VOTRE VÉHICULE:

L'autonomie est calculée selon le test de la norme ISO 7176, Partie 4 relative à la consommation d'énergie des fauteuils roulants.

Ce test est destiné à fournir une méthode standard permettant à différents fabricants de mesurer/ calculer l'autonomie en appliquant le même test. Les consommateurs peuvent alors comparer directement l'autonomie de plusieurs modèles de scooter.

Ce test a été réalisé dans des conditions contrôlées avec des batteries neuves et entièrement chargées, sur une surface plane et avec un utilisateur pesant 100 kg.

L'autonomie maximale théorique est la suivante :

S425 = 25 km

S700 = 35 km

Les chiffres avancés doivent être considérés comme des valeurs maximales théoriques. Celles-ci changeront (pour des valeurs probablement inférieures) en présence de l'un des facteurs énumérés à la Section 9.15 :

9.14 AUTONOMIE POTENTIELLE MAXIMALE DE VOTRE VÉHICULE:

Sur la base des valeurs d'autonomie de référence pour des produits et taille de batteries similaires, l'autonomie potentielle maximale de votre véhicule est comme suit :

S425 – 42 km

S700 – 55 km

Ces chiffres doivent être considérés comme des valeurs maximales théoriques. Celles-ci changeront (pour des valeurs probablement inférieures) en présence de l'un des facteurs énumérés à la section 9.15 :

9.15 FACTEURS SUSCEPTIBLES D'AVOIR UN IMPACT SUR L'AUTONOMIE DE VOTRE VÉHICULE:

- Poids de l'utilisateur supérieur ou inférieur à 100 kg.
- Batteries dont l'état de charge, l'ancienneté et l'état général n'est pas parfait.
- Le terrain/la surface est difficile, par ex. terrain vallonné, en pente, boueux, accidenté, présence de gravillons, d'herbe, de glace ou de neige.
- Le scooter franchit régulièrement des trottoirs.
- La température ambiante est soit très élevée, soit très basse.
- Mauvaise pression d'un ou de plusieurs pneus.
- Nombreux démarrages et arrêts consécutifs.
- Utilisation d'options supplémentaires électriques, notamment les feux et les clignotants.

REMARQUE:

- La taille de la batterie utilisée sur le scooter doit permettre une autonomie suffisante pour la majorité des besoins de l'utilisateur.
- L'adoption d'une conduite intelligente, à savoir éviter de franchir des trottoirs et emprunter les allées goudronnées plutôt que les chemins en terre, peut augmenter l'autonomie du véhicule.
- La recharge quotidienne des batteries conforme aux consignes énoncées permettra également de prolonger l'autonomie et la durée de vie de la batterie.

10.0 Réglages

⚠ AVERTISSEMENT!

- Ne réalisez des ajustements sur votre scooter que si vous êtes qualifié pour le faire.
- Des blessures ou des dommages graves peuvent être causés si les ajustements ne sont pas réalisés correctement.
- Si vous n'êtes pas certain, veuillez contacter votre revendeur Sunrise Medical pour de l'assistance.

10.1 RÉGLAGE DE LA HAUTEUR DU SIÈGE

- Enlevez le capuchon des batteries pour avoir accès aux boulons d'ajustement de la hauteur du siège.
- Enlevez le boulon de fixation du siège (FIG. 10.1)
- La hauteur du siège peut être adaptée dans une tranche de 50 mm.
- Une fois la position désirée obtenue, remplacez le boulon dans l'orifice, puis serrez à un couple de 25 Nm.



FIG.10.1

10.3 PROGRAMMATION:

Lorsque le scooter quitte l'usine, il est programmé pour correspondre au mieux aux besoins généraux de nos clients. Il s'agit d'un programme générique ou par défaut. Cependant, si des modifications sont nécessaires, vous devez contacter votre revendeur, et un spécialiste peut reprogrammer le compteur pour correspondre à vos besoins.

REMARQUE: La programmation du fauteuil nécessite un programmeur ou logiciel adapté avec connexion adéquate.

⚠ DANGER!

- Ne tentez jamais de programmer vous-même le scooter.
- Seul le personnel autorisé formé par le personnel qualifié autorisé par Sunrise Medical est autorisé à programmer le boîtier de commande du scooter.
- Des paramètres de boîtier de commande erronés peuvent être à l'origine d'une conduite dangereuse et, par conséquent, de blessures et de dommages.

11.0 Nettoyage

11.1 NETTOYAGE GÉNÉRAL:

AVERTISSEMENT!

Assurez-vous que l'appareil est éteint avant le nettoyage.

- Essuyez le scooter une fois par semaine à l'aide d'un chiffon légèrement humide, mais non mouillé.
- Pensez à essuyer toutes les parties du scooter s'il est mouillé ou humide après l'avoir nettoyé ou s'il a pris l'eau ou l'humidité pendant que vous l'utilisez.
- Ceci est particulièrement important pour éviter tout risque de contamination si plusieurs personnes utilisent le même scooter.
- Utilisez à cette fin un désinfectant breveté. Suivez bien les consignes du fabricant du désinfectant de votre choix.
- Inspectez la toile/assise pour vérifier qu'elle n'est pas déchirée, entaillée, usée ou détendue, en particulier à proximité des armatures en métal, ce qui peut provoquer chez l'utilisateur une mauvaise posture ou un piètre niveau de confort.

11.2 NETTOYAGE DU SIÈGE:

Toutes les parties/accessoires comme les porte-béquilles doivent être nettoyés avec un chiffon humide. Nettoyez l'appui-tête, les accoudoirs, les sangles sousabdominales à l'aide d'un chiffon humide.

ATTENTION!

Ne nettoyez jamais votre scooter avec un tuyau d'arrosage ou un jet d'eau à pression.

11.3 SYSTÈME DE NETTOYAGE DES COMMANDES:

Nettoyez le système de commande et le clavier à l'aide d'un chiffon humecté d'un détergent dilué. Veillez à ne pas utiliser trop d'eau ou à forcer lorsque vous nettoyez le clavier de contrôle.

ATTENTION

N'utilisez jamais de détergents abrasifs ou à base d'alcool.

12.0 Livraison et stockage

12.1 HUMIDITÉ ET TEMPÉRATURE DE STOCKAGE:

Température d'entreposage : Min : -40°C à Max : 65°C
Humidité relative (hors condensation) : Min : 5% Max : 95%

ATTENTION!

- Avant d'entreprendre votre voyage, contactez le transporteur.
- L'organisateur vous fournira les données relatives à toute condition/instruction particulière.

12.2 UTILISATION DU SCOOTER À BORD D'UN TRAIN:

Si vous souhaitez utiliser votre scooter à bord d'un train, contactez préalablement la compagnie ferroviaire afin de planifier au mieux votre déplacement. Certains wagons sont dotés d'espaces prévus pour les fauteuils roulants. Vous pouvez rester assis sur votre scooter pendant le voyage. À noter cependant, que la longueur totale de votre scooter peut dépasser la longueur disponible pour les fauteuils roulants dans le wagon.

Avant le départ, vérifiez auprès de la compagnie ferroviaire la présence d'un accès adapté pour accéder au quai et monter à bord du wagon et que l'espace disponible à l'intérieur est suffisant. Nous vous recommandons de vous renseigner auprès de la compagnie ferroviaire sur les aspects suivants : l'accès pour monter à bord est adapté pour le poids combiné du scooter et de l'occupant ; l'inclinaison des rampes d'accès n'est pas supérieure à l'angle d'inclinaison maximum prévu pour le scooter ; les marches ou contremarches ne sont pas supérieures à la hauteur maximale autorisée pour le franchissement d'obstacles ; la présence de suffisamment d'espace de braquage dans la zone d'accès et à bord du train.

En général, les compagnies ferroviaires se feront un plaisir de vous prêter assistance dans la mesure où elles auront été informées de votre présence. Pensez à vous munir du manuel d'utilisation de votre scooter lorsque vous planifiez votre déplacement et contactez la compagnie ferroviaire.

12.3 CONSIGNES RELATIVES AU TRANSPORT DU VÉHICULE À TRAVERS D'AUTRES MODES DE TRANSPORT:

Le scooter peut être transporté par route, chemin de fer, voie maritime ou aérienne, comme un bagage. Avant d'entreprendre votre voyage, contactez le transporteur ou l'organisateur du voyage. Vous devrez éventuellement fournir certaines informations sur le scooter, notamment son poids et ses dimensions. Vous trouverez ces informations dans le tableau correspondant à la Section 15.1.

Si vous voyagez en avion, les batteries pourront devoir être retirées car les batteries fournies avec le scooter ne sont pas homologuées IATA pour le transport aérien. Votre revendeur pourra vous procurer des batteries homologuées IATA.

Pour le transport routier, arrimez le scooter pour éviter tout déplacement accidentel et blessure aux autres occupants du véhicule en cas d'arrêt brusque, ou placez-le dans l'espace réservé aux bagages. Pour arrimer votre scooter, fixez les systèmes de retenue aux pare-chocs avant et arrière, comme illustré ci-dessous.

AVERTISSEMENT!

Ne restez pas assis sur votre scooter pendant son transport à bord d'un véhicule dans l'espace réservé aux bagages.



12.4 RETRAIT DE PIÈCES AVANT LE TRANSPORT:

Vous trouverez ci-dessous des informations sur le retrait de certaines pièces éventuellement exigé par le transporteur ou l'organisateur de votre voyage. Emportez avec vous votre manuel d'utilisation.

Comment enlever le siège, Section 5.1 (page 14)

Comment déconnecter et retirer les batteries, Section 5.3

Comment déconnecter le système de commande, Section 4.7

Vérifiez que les parties amovibles du scooter, comme le panier, les béquilles, etc. sont solidement fixées ou emballées séparément et étiquetées pour éviter qu'elles ne soient égarées pendant le chargement ou le déchargement.

12.5 UTILISATION D'UN ÉLÉVATEUR POUR SOULEVER LE SCOOTER:

Vous pouvez soulever votre scooter INOCCUPÉ à l'aide de deux sangles adaptées à cet effet. Un cadre en "H" construit à partir de sections en bois de 10 x 10 cm.

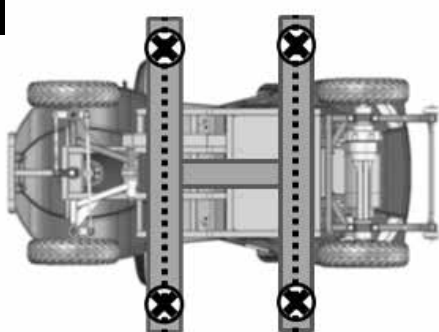
⚠ ATTENTION!

1. Le poids maximum approximatif du plus gros scooter (modèle S700) est 150 kg, ainsi chaque sangle doit avoir une capacité de 150 kg. L'élévateur et le cadre en "H" doivent être capables de soulever le poids du scooter.
2. Avant le levage, le scooter doit être éteint et la clé retirée de l'interrupteur de contact.
3. Les sangles doivent être positionnées aux emplacements indiqués ci-dessous aux Fig. 12.1 et 12.2. N'attachez PAS les sangles à d'autres endroits, comme le guidon ou le siège.
4. Veillez à ce que les sangles aient la même longueur et soient placées symétriquement, de sorte que le scooter ne soit pas incliné.
5. Ne soulevez jamais le scooter avec un utilisateur à son bord.
6. Positionnez la sangle avant le long du mât avant de la structure en "H", en veillant à ce que la sangle ait la même longueur des deux côtés.
7. Répétez la procédure pour l'arrière. Veillez à ce que les sangles soient de la même longueur à l'avant et à l'arrière.

FIG.12.1



FIG.12.2



8. Fixez les sangles à l'élévateur et suivez les consignes d'utilisation fournies par le fabricant de l'élévateur pour élever et abaisser le scooter à l'emplacement désiré.
9. Retirez les sangles et insérez les clés à la fin de la manoeuvre.
6. Place the front strap along the length of the front "H" frame strut, ensuring the strap has even lengths either side.
7. Repeat the process for the rear "H" frame strut, ensuring the straps have equal lengths.
8. Attach the straps to the hoist and follow the hoist manufacturer's instruction to raise and lower the scooter to the desired position.
9. Remove the straps and replace the keys on completion of the maneuver.

⚠ WARNING!

Ne soulevez/élevez jamais le scooter avec l'occupant à bord.

Sections pertinentes à consulter dans le présent manuel d'utilisation:

- Vérifiez que les parties amovibles du scooter sont solidement fixées ou emballées séparément et étiquetées pour éviter qu'elles ne soient égarées pendant le chargement et le déchargement.
- Emportez ce manuel avec vous.
- Le transporteur devra consulter les sections suivantes.
- Comment enlever le siège, (Section 5.1).
- Comment déconnecter les batteries, (Section 5.3).
- Comment déconnecter la commande, (Section 4.7).

12.6 ENTREPOSAGE À MOYEN ET LONG TERME:

Lorsque vous entreposez votre scooter pendant des périodes prolongées (plus d'une semaine), suivez les instructions suivantes :

Rechargez complètement les batteries du fauteuil pendant au moins 24 heures.
Débranchez les batteries.

⚠ ATTENTION!

Ne rangez jamais votre scooter pendant des périodes de temps moyennes à longues :

- À l'extérieur.
- À la lumière directe, (les composants en plastique peuvent se décolorer).
- À proximité d'une source de chaleur directe.
- Dans un environnement humide.
- Dans un environnement froid.
- Avec les batteries branchés (même si le boîtier de commande est éteint).

En respectant les consignes ci-dessus, vous éviterez les cycles de décharge complets des batteries et prolongerez la durée de vie des batteries.

Lors de la première remise en service du scooter; rebranchez les batteries/blocs batteries et rechargez le scooter pendant au moins 24 heures avant de le réutiliser.

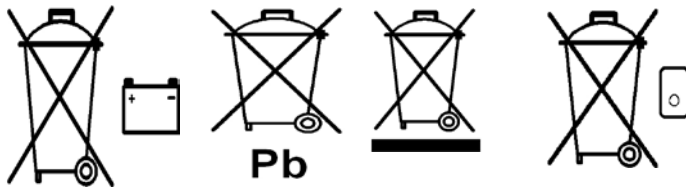
12.7 POIDS DES PIÈCES DÉTACHABLES

PIÈCE	POIDS kg
SIÈGE	35
PANIER AVANT	0.9
COUVERCLE DU COMPARTIMENT À BATTERIE	1.1
ACCOUDOIR	1.0
APPUI-TÊTE	0.7

13.0 Enlèvement

Le symbole ci-dessous signifie que votre produit doit être mis au rebut séparément de vos autres déchets ménagers, conformément aux réglementations et lois locales. Lorsque le produit atteint la fin de son cycle de vie, veuillez l'emporter aux points de ramassage conçus à cet effet par les autorités locales. Le ramassage séparé et le recyclage de votre produit au moment de l'enlèvement aideront à préserver les ressources naturelles et à s'assurer qu'il est recyclé d'une manière respectueuse de l'environnement.

REMARQUE: Assurez-vous que vous êtes le propriétaire légal du produit avant d'arranger le plan enlèvement de ce produit conformément aux réglementations ci-dessus.



14.0 Serrage dynamométrique

⚠ AVERTISSEMENT!

- N'essayez pas de démonter et/ou de rassembler le scooter au niveau de l'ingénierie, ou de fixer des pièces de remplacement ou des accessoires si vous n'êtes pas qualifié/autorisé à le faire.
- Consultez toujours votre agent de service Sunrise Medical agréé.

Les informations relatives à la puissance réelle fournies ci-dessous permettront des missions de maintenance routinière normales (veuillez également consulter la section 18).

SERRAGE DYNAMOMÉTRIQUE GENERAL	
DESCRIPTION	VALEUR DE LA PUISSANCE RÉELLE
M3 POZI PAN	2-3 Nm
M4 POZI PAN	3-4 Nm
M5 SKT HD CAP	4-5 Nm
M5 POZI PAN	4-5 Nm
M6 HEX HD	9-10 Nm
M6 BUTT HD	9-10 Nm
M6 SKT HD CAP	9-10 Nm
M8 HEX HD	15-20 Nm
M8 SKT HD CAP	15-20 Nm
M8 SKT BUTT HD	15-20 Nm
M10 HEX HD	20-25 Nm
M10 SKT BTT HD	20-25 Nm
SERRAGES DYNAMOMÉTRIQUES SPÉCIFIQUES	
Front Wheel Axle Bolt	32 Nm
Rear Wheel Hub Studs	25 Nm
Seat Stem Height Bolts	20 Nm

15.0 Feuilles produit (EN 12184 et ISO 7176-15)

Sunrise Medical Canada Inc.
237 Romina Drive, Unit 3
Concord, ON
L4K 4V3
Phone: 1-800-263-3390
Fax: 1-800-561-5834
www.SunriseMedical.ca

Temp. de service: -25°C to 50°C

Temp. d'entreposage: -40°C to 65°C

Résistance à l'humidité: IPX4

Aucune restriction concernant l'humidité et la pression d'air.

Poids maximum de l'utilisateur:

S425 = 150 kg, S700 = 160 kg

Les scooters Fortress S-series sont conformes aux normes suivantes :

- Exigences et méthodes d'essai pour la résistance statique, la résistance aux chocs et la résistance à la fatigue (ISO 7176-8)
- Systèmes d'alimentation et de commande des fauteuils roulants électriques – exigences et méthodes d'essai (ISO 7176-14)
- Essai climatique conformément à ISO 7176-9
- Exigences en matière de résistance à l'inflammation des parties rembourrées conformément à ISO 7176-16
- Le produit appartient à la catégorie B des produits motorisés (S425) et catégorie C (S700)
- Tous les matériaux utilisés sur ce produit sont conformes à la norme EN1021, parties 1 et 2

NOTE:

- Voir les tableaux aux pages suivantes.
- Les mesures des pièces recouvertes sont approximatives. Toutes les dimensions sont sujettes à modification.

⚠ ATTENTION!

Ce scooter n'a pas été testé pour la norme ISO 7176-19 relative à la présence d'un occupant sur le scooter pendant son transport à bord d'un véhicule motorisé.

15.2 MODÈLE: FORTRESS S425



ISO 7176-15	MIN.	MAX.	COMMENTAIRES
LONGUEUR TOTALE	1345 mm	1345 mm	CONFIGURATION STANDARD
LARGEUR TOTALE	655 mm	655 mm	CONFIGURATION STANDARD
POIDS TOTAL (AVEC BATTERIES)	117 kg	117 kg	CONFIGURATION STANDARD
POIDS DE LA PIÈCE LA PLUS LOURDE	-	35 kg	SIÈGE
STABILITÉ STATIQUE EN DESCENTE	-	8°	UTILISATEUR DE 150 KG
STABILITÉ STATIQUE EN CÔTE	-	8°	UTILISATEUR DE 150 KG
STABILITÉ STATIQUE DE CÔTÉ	-	8°	UTILISATEUR DE 150 KG
CONSUMMATION D'ÉNERGIE (FOURCHETTE MAX.)	-	25 km	POUR LA NORME ISO 7176-4 (VOIR SECTION 9.13)
STABILITÉ DYNAMIQUE EN CÔTE	-	8°-18%	UTILISATEUR DE 150 KG
MONTÉE D'OBSTACLE	-	50 mm	CONFIGURATION STANDARD
TRANSITION AVEC UNE RAMPE	8°	8°	SANS CENTRAGE ÉLEVÉ
VITESSE MAX. MARCHÉ AVANT		12 kph/8 mph	CONFIGURATION STANDARD
DISTANCE DE FREINAGE MINIMALE EN VITESSE MAX.	-	4 m	AVEC UNE PROGRAMMATION STANDARD
VITESSE MAX. MARCHÉ ARRIÈRE	-	50%	% DE LA VITESSE VERS L'AVANT
PROFONDEUR UTILE DU SIÈGE		490 mm	CONFIGURATION STANDARD
LARGEUR UTILE DU SIÈGE		490 mm	CONFIGURATION STANDARD
HAUTEUR DE LA SURFACE DU SIÈGE	447 mm	497 mm	AU PLANCHER DU SCOOTER (3 POSITIONS)
ANGLE DU DOSSIER	-70°	60°	À LA VERTICALE
HAUTEUR DU DOSSIER		525 mm	CONFIGURATION STANDARD
AJUSTEMENT DU SIÈGE VERS L'AVANT/ARRIÈRE		+100 mm	DEPUIS LA POSITION LA PLUS EN ARRIÈRE
POIDS DU SIÈGE AVEC LA GLISSIÈRE		35 kg	CONFIGURATION STANDARD
DESSUS DE L'ACCOUDOIR AU SIÈGE		230 mm	ACCOUDOIR RÉGLÉ À 90°
RAYON DE BRAQUAGE MIN.		3.03 m	CONFIGURATION STANDARD
BRAQUAGE MIN. ENTRE DEUX MURS		1.98 m	CONFIGURATION STANDARD
TENSION NOMINALE DE LA BATTERIE	24V	24V	DEUX BATTERIES DE 12V
LARGEUR REQUISE POUR FAIRE MARCHÉ ARRIÈRE	1.98 m		
SPÉCIFICATIONS SUPPLÉMENTAIRES	MIN.	MAX.	COMMENTAIRES
AUTONOMIE POTENTIELLE MAXIMALE		42 km	RÉFÉRENCE DE L'INDUSTRIE (SECTION 9.15)
CONTRÔLEUR DE LA TENSION FINALE	16V		FIN DE LA CONDUITE
CAPACITÉ DE LA BATTERIE	55Ah	55Ah	VOIR OPTION
LIENS FUSIBLES DE LA BATTERIE	-	100A	FUSIBLE EN LIGNE SUR CHAQUE BATTERIE
LIEN FUSIBLE DE LA GAINÉ ISOLANTE DU CHARGEUR DE BATTERIES	-	15A	
CHARGEUR DE BATTERIES	8A	8A	AUTOMATIQUE ET CYCLIQUE
HAUTEUR MAX. DU TROTTOIR		50 mm	
GARDE AU SOL		60 mm	
SUSPENSION ARRIÈRE		11 mm	A VIDE
SUSPENSION AVANT		23 mm	A VIDE
ROUE MOTRICE PROPULSION	-	-	SCOOTER 4 ROUES
FORCE DE POUSSÉE DU SCOOTER		100N	EN ROUE LIBRE
ESSAIS DE CHOC		NON	
PRESSIION DES PNEUS		40psi	



ISO 7176-15	MIN.	MAX.	COMMENTS
LONGUEUR TOTALE	*1500 mm	*1500 mm	CONFIGURATION STANDARD
LARGEUR TOTALE	657 mm	657 mm	CONFIGURATION STANDARD
POIDS TOTAL (AVEC BATTERIES)	145.5 kg	145.5 kg	CONFIGURATION STANDARD
POIDS DE LA PIÈCE LA PLUS LOURDE	-	35 kg	SIÈGE
STABILITÉ STATIQUE EN DESCENTE	-	10°	UTILISATEUR DE 160 KG
STABILITÉ STATIQUE EN CÔTE	-	10°	UTILISATEUR DE 160 KG
STABILITÉ STATIQUE DE CÔTÉ	-	10°	UTILISATEUR DE 160 KG
CONSUMMATION D'ÉNERGIE (FOURCHETTE MAX.)	-	35 km	POUR LA NORME ISO 7176-14 (VOIR SECTION 9.13)
STABILITÉ DYNAMIQUE EN CÔTE	-	10°-18%	UTILISATEUR DE 160 KG
MONTÉE D'OBSTACLE	-	100 mm	CONFIGURATION STANDARD
TRANSITION AVEC UNE RAMPE	18°	18°	SANS CENTRAGE ÉLEVÉ
VITESSE MAX. MARCHÉ AVANT		15 kph	CONFIGURATION STANDARD
DISTANCE DE FREINAGE MINIMALE EN VITESSE MAX.	-	6 m	AVEC UNE PROGRAMMATION STANDARD
VITESSE MAX. MARCHÉ ARRIÈRE	-	50%	% DE LA VITESSE VERS L'AVANT
PROFONDEUR UTILE DU SIÈGE		490 mm	CONFIGURATION STANDARD
LARGEUR UTILE DU SIÈGE		490 mm	CONFIGURATION STANDARD
HAUTEUR DE LA SURFACE DU SIÈGE	450 mm	500 mm	AU PLANCHER DU SCOOTER (3 POSITIONS)
ANGLE DU DOSSIER	-70°	60°	À LA VERTICALE
HAUTEUR DU DOSSIER		525 mm	CONFIGURATION STANDARD
AJUSTEMENT DU SIÈGE VERS L'AVANT/ARRIÈRE		+30 mm	DEPUIS LA POSITION LA PLUS EN ARRIÈRE
POIDS DU SIÈGE AVEC LA GLISSIÈRE		35 kg	CONFIGURATION STANDARD
DESSUS DE L'ACCOUDOIR AU SIÈGE		230 mm	ACCOUDOIR RÉGLÉ À 90°
RAYON DE BRAQUAGE MIN.		2950 mm	CONFIGURATION STANDARD
BRAQUAGE MIN. ENTRE DEUX MURS		2250 mm	CONFIGURATION STANDARD
TENSION NOMINALE DE LA BATTERIE	24V	24V	DEUX BATTERIES DE 12V
LARGEUR REQUISE POUR FAIRE MARCHÉ ARRIÈRE	2250 mm		
SPÉCIFICATIONS SUPPLÉMENTAIRES	MIN.	MAX.	COMMENTAIRES
AUTONOMIE POTENTIELLE MAXIMALE		55 km	RÉFÉRENCE DE L'INDUSTRIE (SECTION 9.15)
CONTRÔLEUR DE LA TENSION FINALE	16V		FIN DE LA CONDUITE
CAPACITÉ DE LA BATTERIE	55Ah	75Ah	VOIR OPTION
LIENS FUSIBLES DE LA BATTERIE	-	100A	FUSIBLE EN LIGNE SUR CHAQUE BATTERIE
LIEN FUSIBLE DE LA GAINÉ ISOLANTE DU CHARGEUR DE BATTERIES	-	15A	
CHARGEUR DE BATTERIES		8A	AUTOMATIQUE ET CYCLIQUE
HAUTEUR MAX. DU TROTTOIR		100 mm	
GARDE AU SOL	100 mm	130 mm	
SUSPENSION ARRIÈRE		50 mm	A VIDE
SUSPENSION AVANT		40 mm	A VIDE
ROUE MOTRICE PROPULSION	-	-	SCOOTER 4 ROUES
FORCE DE POUSSÉE DU SCOOTER		100N	EN ROUE LIBRE
ESSAIS DE CHOC		NO	
PRESSION DES PNEUS		40psi	

* Dépasse les dimensions recommandées.

16.0 Garantie

SUNRISE MEDICAL garantit ce produit pour deux ans à compter de la date indiquée sur la facture, le reçu et la note de livraison. Pour tous les produits contenant des batteries, la batterie est garantie pendant 6 mois. Cette garantie ne couvre que les pièces détachées.

Pour formuler une réclamation, l'utilisateur doit présenter le produit et la facture d'achat en tant que preuve de la date de livraison.

Sont exclus de cette garantie:

L'USURE NATURELLE, par exemple, la toile, les pneus, les chambres à air, les jantes, les roues, etc.

LES ACCIDENTS, les structures courbées, rayures, pneus crevés, etc.

UN USAGE INADÉQUAT et les dommages dus à un poids de l'utilisateur supérieur à la limite indiquée dans le manuel d'utilisation.

UN MANQUE D'ENTRETIEN et le non suivi des instructions de conservation fournis dans le manuel d'utilisation.

LES MODIFICATIONS ou RÉPARATIONS effectuées par des personnes non-agrèées par Sunrise Medical.

PRODUITS NON ACCOMPAGNÉS DES FACTURES NI NUMÉROS DE SÉRIE (si nécessaire).

Durée de vie

Nous estimons que la durée de vie de 5 ans pour ce produit, à condition que :

Il soit utilisé conformément à son usage prévu indiqué dans le présent document.

Tous les impératifs d'entretien et de maintenance sont respectés.

La durée de vie estimée peut être dépassée si le produit est soigneusement utilisé et bien entretenu.

Elle peut également être considérablement réduite en cas d'usage extrême ou incorrect.

Le fait que nous estimons une certaine durée de vie pour ce produit ne constitue aucunement une garantie supplémentaire.

Note au service après-vente:

Toute pièce de rechange doit impérativement être fournie directement par Sunrise Medical. N'utilisez pas de pièces non autorisées et ne procédez à aucune modification n'ayant pas été préalablement approuvée.

TAMPON DU REVENDEUR

17.0 Révisions / Historique

Cette section a pour but de vous aider à tenir un journal des révisions et des réparations de votre scooter. Le technicien ayant effectué le travail remplira cette section et vous rendra le manuel.

REMARQUE: Si vous devez faire jouer la garantie, effectuer une révision ou procéder à une réparation, contactez votre service après-vente agréé Sunrise Medical.

Modèle				
Numéro de série				
Année	1	2	3	4
Dates des révisions				
Boîtier de commande				
Bouton Marche/Arrêt				
Fiche de sortie				
Fonctionnement				
Freinage rhéostatique				
Configuration de programmation				
Batteries				
Détérioration				
Connexions				
Tests de décharge				
Roues/Pneus				
Usure				
Pression				
Roulements				
Écrous de roue				
Moteurs				
Câblage				
Bruit				
Connexions				
Freins				
Charbons				
Dispositif de roue libre				
Châssis				
État				
Direction				
Toile				
Siège				
Dossier				
Accoudoirs				
Modèles électriques				
État de la gaine				
Connexions				
Eclairage et clignotants				
Test de roulement				
Avant				
Marche arrière				
Arrêt d'urgence				
Virage à gauche				
Virage à droite				
Montée/Descente				
Franchissement d'obstacles				
Frein de stationnement				

18.0 Révision et entretien

Après avoir nettoyé ou réparé le scooter, vous devez toujours vérifier son bon fonctionnement avant de l'utiliser.

- Inspectez visuellement le scooter pour vous garantir que ses éléments sont correctement positionnés et fixés au scooter et que toutes les fixations sont suffisamment serrées.
- Assurez-vous que le siège est correctement monté et réglé.
- Démarrez le scooter – L'indicateur de niveau de la batterie clignote-t-il ? Cela signifie qu'il y a une anomalie dans le système électronique.
- Reportez-vous à la section 8.0 pour obtenir des informations sur le dépannage.
- Effectuez le test du frein de stationnement.
- Activez toutes les options électriques, y compris les feux et les clignotants pour vérifier qu'ils fonctionnent bien.
- Conduisez le scooter pour vous assurer qu'il réalise les mêmes performances qu'auparavant.

AVERTISSEMENT!

- En cas de doute sur les niveaux de performance de votre scooter, contactez votre revendeur agréé Sunrise Medical.
- Réalisez uniquement les missions d'entretien énumérées ci-dessous lors de tout nettoyage général.
- Ne vous lancez pas dans une mission que vous n'êtes pas certain de réaliser correctement.

18.1 RÉUTILISATION

Le scooter peut être transféré à un nouveau propriétaire. Les accessoires se laissent aisément retirer/installer et les réglages d'assise peuvent être adaptés au nouveau propriétaire.



Pensez à remettre le Manuel d'utilisation au nouveau propriétaire.

REMARQUE: La garantie n'est pas transférable.

Programme d'entretien et d'inspection	Quotidien	Hebdomadaire	Trimestriel	Tous les six mois	Annuel
Si nécessaire, vérifiez l'indicateur de charge de la batterie et le chargeur.	*				
Vérifiez que les leviers de commande sur la barre ne sont pas courbés ou endommagés	*				
Vérifiez que toutes les pièces mobiles sont solidement fixées.	*				
Inspectez la ceinture pelvienne pour détecter tout éventuel signe d'usure et vérifiez que la boucle fonctionne bien.	*				
Vérifiez que le frein de stationnement se serre et se desserre.		*			
Vérifiez les pneus et gonflez-les si nécessaire.		*			
Assurez-vous que tous les écrous et les boulons sont serrés.		*			
Vérifiez que les câbles et connecteurs sont en bon état, qu'ils ne sont pas emmêlés et qu'ils ne gênent pas.		*			
Nettoyez régulièrement le scooter et le rembourrage.		*			
Inspectez les bornes des batteries – Enlevez la corrosion et appliquez de la graisse.			*		
Vérifiez les garnitures, l'assise, l'appui-tête, les manchettes afin de détecter tout signe d'usure et vérifiez la dépose et l'installation du siège.				*	
Inspection complète, contrôle de sécurité et révision effectués par un revendeur agréé Sunrise Medical.					*

18.2 RETRAIT DE LA ROUE

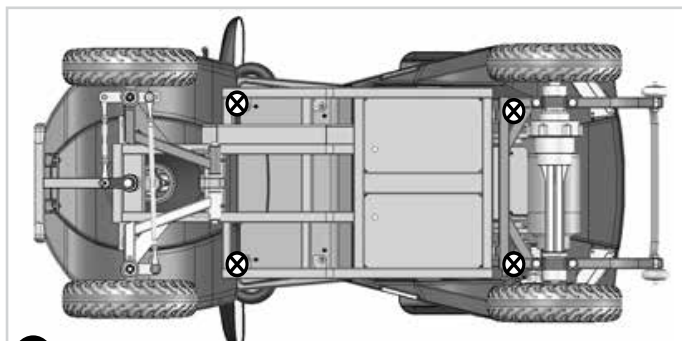
⚠ AVERTISSEMENT!

- Il n'est pas pratique de tenter de réparer une crevaison à l'endroit où elle est survenue. Sunrise Medical vous conseille de les appeler pour vous aider à enlever le scooter soit directement vers un agent de services agréé soit vers un lieu sûr pour qu'il soit repris par l'agent agréé à un moment ultérieur.
- En cas de doute sur les niveaux de performance de votre scooter, contactez votre revendeur agréé Sunrise Medical.
- Ne vous lancez pas dans une mission que vous n'êtes pas certain de réaliser correctement.
- N'essayez pas de réparer une crevaison si le scooter s'est arrêté dans une zone peu sécurisée. Déplacez le scooter vers une zone sécurisée, à distance du trafic et des autres risques.
- N'essayez pas de réparer une crevaison dans des zones fort empruntées par les piétons.
- N'essayez pas de réparer une crevaison si le scooter est responsable d'une obstruction.
- Si vous utilisez un cric ou un autre équipement, respectez toujours les instructions données dans le mode d'emploi connexe.
- N'oubliez pas que le scooter peut tomber du cric à tout moment.
- Gardez vos mains et vos pieds à distance du scooter lorsqu'il se trouve sur le cric.
- Ne placez pas le cric sur des surfaces inégales.
- Utilisez toujours un bloc de support avec le cric.
- Le scooter doit être en mode de conduite et éteint et les clés doivent être enlevées, avant de le faire monter sur le cric.
- Ne soulevez pas plus d'une roue à la fois.

REMARQUE: Pour remonter les roues, suivez les procédures suivantes en sens inverse, sauf si le contraire est indiqué.

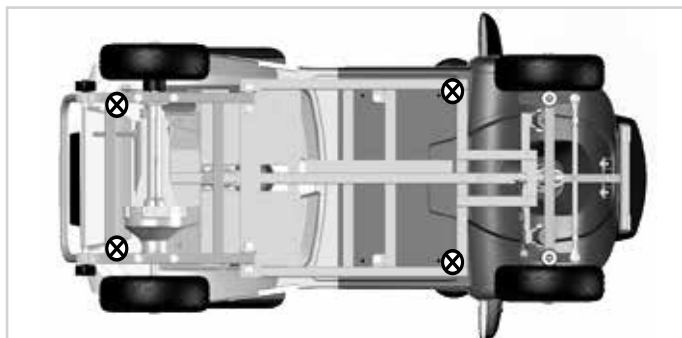
18.2.1 DÉPOSE DE LA ROUE AVANT DU SCOOTER S-SERIES

- À l'aide d'un petit tournevis cruciforme, dévissez et retirez les deux vis de retenue de l'enjoliveur (FIG.18.2)
- À l'aide d'une clé hexagonale de 6 mm/pilote, desserrez l'écrou, mais ne le retirez pas encore à ce stade (FIG. 18.3).
- Surélevez la roue avant en plaçant un cric en dessous des points pertinents pour le cric, (FIG. 18.1- 18.1.1),
- Lorsqu'il est surélevé, soutenez le cric avec des blocs solides pour renforcer la stabilité, (FIG. 18.4).
- Retirez l'écrou à l'aide d'une clé hexagonale de 6 mm/pilote ou avec vos doigts (FIG. 18.5).
- Conservez précieusement les rondelles (FIG. 18.6).
- Dégagez la roue de l'essieu conique (FIG. 18.7).
- La roue avant et ses composants sont présentés à la FIG. 18.8.



⊗ = CRIC/POINTS DE BLOCAGE S700

FIG.18.1



⊗ = CRIC/POINTS DE BLOCAGE S425

FIG.18.1.1



FIG.18.2



FIG.18.3



FIG.18.4



FIG.18.5



FIG.18.6



FIG.18.7



FIG.18.8

18.2.3 DÉPOSE DE LA ROUE ARRIÈRE DU SCOOTER S-SERIES

REMARQUE: Les étapes 1 et 2, ainsi que 7 et 8 concernent la roue droite uniquement et ne sont pas requises pour la roue gauche.

1. Retirez le siège (Section 5.1)
2. Enlevez le cache du compartiment à batterie (Section 5.3).
3. À l'aide d'un petit tournevis cruciforme, dévissez et retirez les deux vis de retenue de l'enjoliveur (FIG.18.9)
4. À l'aide d'une clé hexagonale de 6 mm/pilote, desserrez l'écrou, mais ne le retirez pas encore à ce stade (FIG. 18.10).
5. Surélevez la roue arrière en plaçant un cric sous les emplacements prévus à cet effet (FIG. 18.1).
6. Lorsqu'il est surélevé, renforcez le cric avec des cales solides pour une plus grande stabilité (FIG.18.11).
7. Repérez les deux vis de retenue de l'étrier de frein, puis dévissez-les à l'aide d'une clé hexagonale de 5 mm (FIG. 18.12).
8. Enlevez l'étrier de frein (FIG. 18.13).
9. Retirez l'écrou à l'aide d'une clé hexagonale de 6 mm/pilote (FIG. 18.14).
10. Dégagez la roue de l'essieu conique (FIG. 18.15).
11. Retirez la clé de l'essieu conique (FIG. 18.16).
12. La roue arrière droite et ses composants sont présentés à la FIG. 18.17.

FIG.18.17



18.3 CHANGEMENT DE LA CHAMBRE À AIR (TOUS LES MODÈLES)

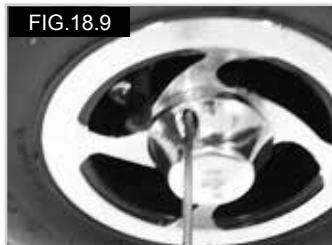
- Faites bien sortir tout l'air de la chambre à air en appuyant sur la valve à l'aide d'un petit tournevis et en serrant le pneu.
- À l'aide d'une clé hexagonale/pilote de 6 mm, dévissez les goujons de retenue de la jante.
- Dégagez la jante extérieure du pneu.
- Enlevez le pneu de la jante.
- Attrapez délicatement la chambre à air interne, juste derrière la valve.
- Sortez délicatement la chambre à air du pneu.

Pour réinstaller:

- Placez la chambre à air à l'intérieur du pneu et faites-la reposer sur la jante externe.
- Alignez le lambeau de la chambre à air sur la jante.
- Orientez l'embout de la chambre à air vers l'extérieur.
- Placez la jante interne par-dessus le pneu, la chambre à air et la jante externe.
- Alignez l'orifice avec l'embout de la chambre à air et avec l'orifice de la jante externe.
- Vérifiez que les goujons sont alignés avec les deux jantes.
- Serrez uniformément les goujons dans l'ordre opposé, en faisant un premier tour pour fermer les goujons, puis un deuxième tour pour les serrer en veillant à ne pas pincer la chambre à air.
- Gonflez lentement à la pression appropriée.

⚠ AVERTISSEMENT!

- Pour gonfler les pneus du scooter, n'utilisez pas de systèmes d'air comprimé à haute pression, tels que ceux utilisés par les garagistes.
- Utilisez toujours une nouvelle chambre à air.



18.4 VÉRIFIEZ L'ÉTAT DES PNEUS

Vérifiez les pneus au moins une fois par semaine pour voir s'ils présentent des signes d'usure et de détérioration.

Vérifiez:

- Une usure excessive de la bande de roulement.
 - Une usure inégale sur la surface du pneu.
 - Des découpures ou des trous dans la bande de roulement.
 - Des découpures ou des trous dans les parois du pneu.
 - Des objets acérés coincés dans le pneu.
 - Pression des pneus.
 - Les goujons/douilles du pneu sont serrés.
 - Des détériorations au niveau des jantes.
 - Des matériaux/contaminants étrangers.
- (FIG. 18.40 - 18.41)

⚠ AVERTISSEMENT!

- Mettez le scooter en mouvement, éteignez le scooter et enlevez la clé avant de réaliser les vérifications.
- N'utilisez jamais le scooter si les pneus sont considérés comme défectueux après avoir réalisé les vérifications ci-dessus.
- Portez des gants de protection si vous devez toucher physiquement les pneus ou le train roulant et lavez-vous les mains correctement par la suite.

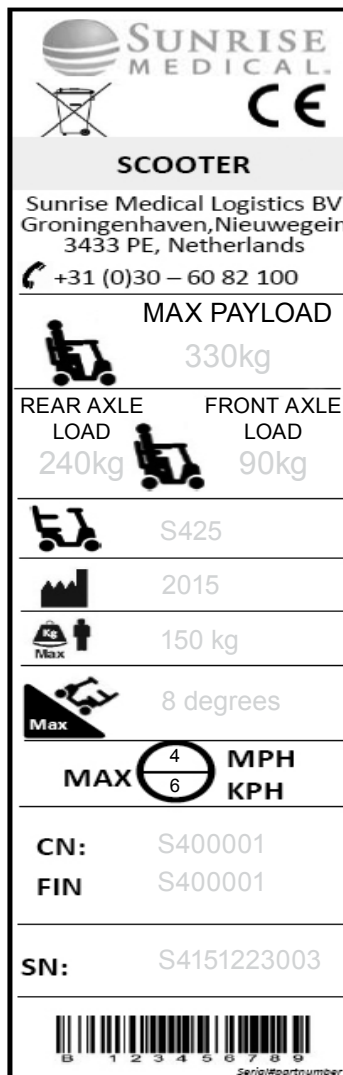
18.5 TAILLES DES ROUES

S425	Taille de la roue
Avant	12 pouces / 30 cm
Arrière	12 pouces / 30 cm
S700	Taille de la roue
Avant	13 pouces / 33 cm
Arrière	13 pouces / 33 cm



19.0 Plaque signalétique

La plaque signalétique est située sur le siège du scooter, ainsi que sur une étiquette dans le mode d'emploi. La plaque indique la dénomination exacte du modèle et fournit diverses informations techniques. Pour une commande de pièces de rechange ou une réclamation, indiquez SVP les informations suivantes



REMARQUE: L'étiquette reproduite ci-dessus est fournie à titre d'exemple. Les poids et numéros varient selon le type de produit.

En raison de notre politique d'amélioration continue dans la conception de nos fauteuils roulants, les spécifications des produits peuvent légèrement différer des exemples illustrés dans le présent manuel. Toutes les valeurs relatives aux poids et aux dimensions et les données de performance sont approximatives et fournies à titre d'information uniquement.

Les fauteuils de Sunrise Medical sont fabriqués conformément à la directive 93/42/CEE relative aux dispositifs médicaux.



Tous les fauteuils roulants doivent être utilisés conformément aux instructions du fabricant.

Manufactured by:

Sunrise Medical B.V.
Groningenhaven 18-20
3433 PE NIEUWEGEIN
The Netherlands
T: +31 (0)30 - 60 82 100
F: +31 (0)30 - 60 55 880
E: info@sunrisemedical.nl
www.SunriseMedical.nl

Sunrise Medical GmbH & Co. KG
Kahlbachring 2-4
69254 Malsch/Heidelberg
Deutschland
Tel.: +49 (0) 7253/980-0
Fax: +49 (0) 7253/980-222
www.SunriseMedical.eu
Místní:
Web: www.medicco.cz
e-mail: info@medicco.cz
tel: 800 900 809

PT-keskus Oy,
Koivuhaantie 2-4, 01510 Vantaa,
Suomi
Puh 020 7912 740
Fax 020 7912 759,
ptkeskus@ptkeskus.fi

Türkiye Tek Yetkili Temsilcisi - İthalatçı -
Yetkili Servis İstasyonu:
Destek Rehabilitasyon Teknolojileri Ltd.
Şti.
Cevizlidere Mah., Gökkuşuğu Cad.,
No:23/B, Balgat,
Çankaya – Ankara
Tel: (312) 430 0900
info@destek-r.com.tr

Sunrise Medical Pty. Ltd.
6 Healey Circuit, Huntingwood, NSW
2148,
Australia
Phone: 9678 6600,
Orders Fax: 9678 6655,
Admin Fax: 9831 2244.
Australia
www.sunrisemedical.com.au

Distributed by:
Sunrise Medical Canada Inc.
237 Romina Drive, Unit 3
Concord, ON
L4K 4V3
Phone: 1-800-263-3390
Fax: 1-800-561-5834
www.SunriseMedical.ca

Sunrise Medical GmbH & Co. KG
Kahlbachring 2-4
69254 Malsch/Heidelberg
Deutschland
Tel.: +49 (0) 7253/980-0
Fax: +49 (0) 7253/980-222
www.SunriseMedical.de

Sunrise Medical
Thorns Road
Brierley Hill
West Midlands
DY5 2LD
England
Phone: 0845 605 66 88
Fax: 0845 605 66 89
www.SunriseMedical.co.uk

Sunrise Medical S.L.
Polígono Bakiola, 41
48498 Arrankudiaga – Vizcaya
España
Tel.: +34 (0) 902142434
Fax: +34 (0) 946481575
www.SunriseMedical.es

Sunrise Medical Poland
Sp. z o.o.
ul. Elektronowa 6,
94-103 Łódź
Polska
Telefon: + 48 42 275 83 38
Fax: + 48 42 209 35 23
E-mail: pl@sunrisemedical.de
Sunrise-Medical.pl

Sunrise Medical B.V.
Groningenhaven 18-20
3433 PE NIEUWEGEIN
The Netherlands
T: +31 (0)30 – 60 82 100
F: +31 (0)30 – 60 55 880
E: info@sunrisemedical.nl
www.SunriseMedical.nl

Sunrise Medical S.A.S
ZAC de la Vrillonnerie
17 Rue Mickaël Faraday
37170 Chambray-Lès-Tours
Tel : + 33 (0) 247554400
Fax : +30 (0) 247554403
www.sunrisemedical.fr

Sunrise Medical S.r.l.
Via Riva, 20 – Montale
29122 Piacenza
Italia
Tel.: +39 0523 573111
Fax: +39 0523 570060
www.SunriseMedical.it

Sunrise Medical AG
Lückhalde 14
3074 Muri/Bern
Schweiz/Suisse/Svizzera
Fon +41 (0)31 958 3838
Fax +41 (0)31 958 3848
www.SunriseMedical.ch

Sunrise Medical AS
Dynamitveien 14B
1400 SKI
Norway
Telef: +47 66963800
Faks: +47 66963880
www.SunriseMedical.no

Sunrise Medical AB
Box 9232
400 95 Göteborg
Sweden
Tel: +46 (0)31 748 37 00
Fax: +46 (0)31 748 37 37
www.SunriseMedical.sv



22217042
Owner's Manual CA (Canada)

