

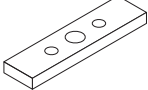
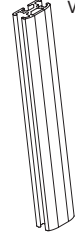
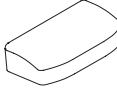

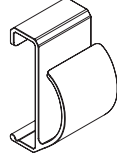
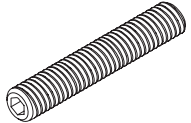



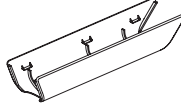
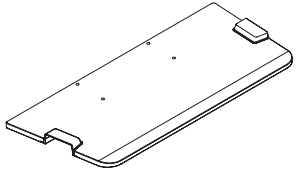




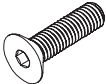
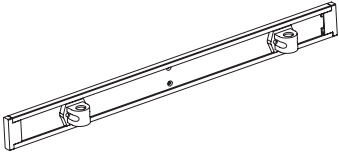
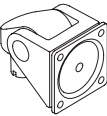
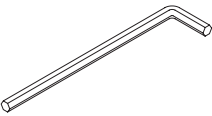
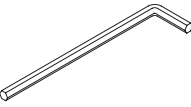
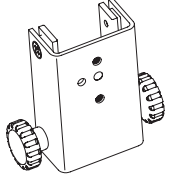
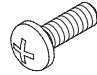

CAUTION:

Mechanism can rise quickly with no equipment in place. User equipment must be properly installed, prior to height adjustment. Failure to do so may result in personal injury and/or property damage.

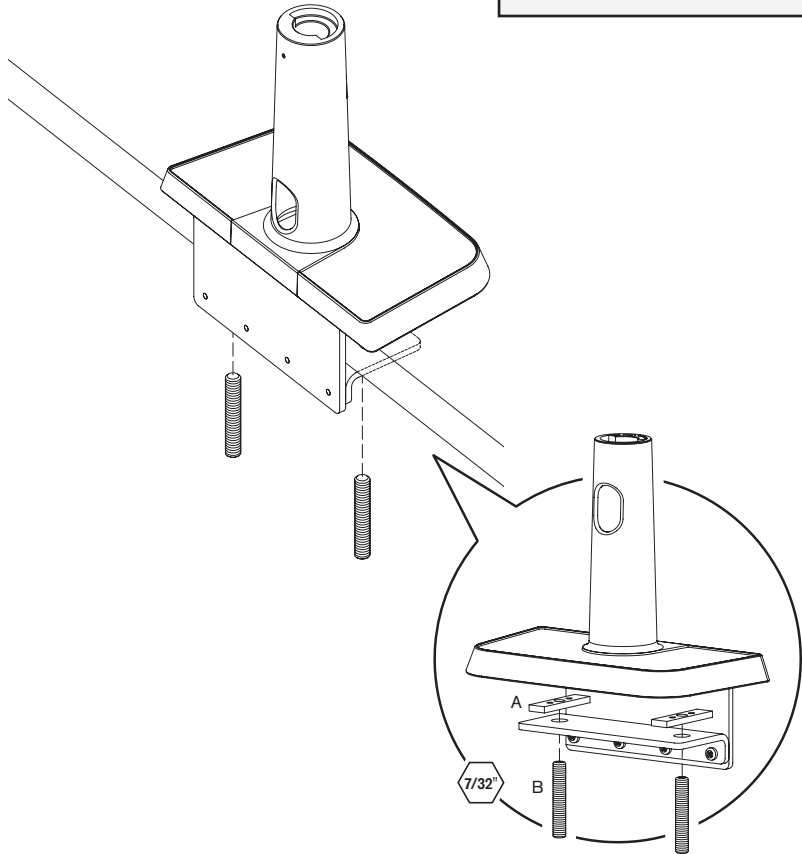
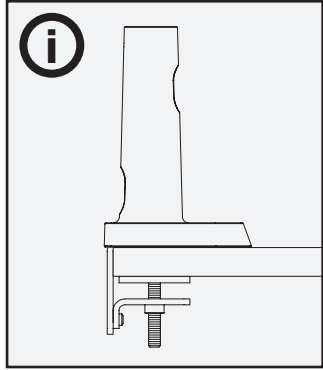


Winston Lift™ Dual

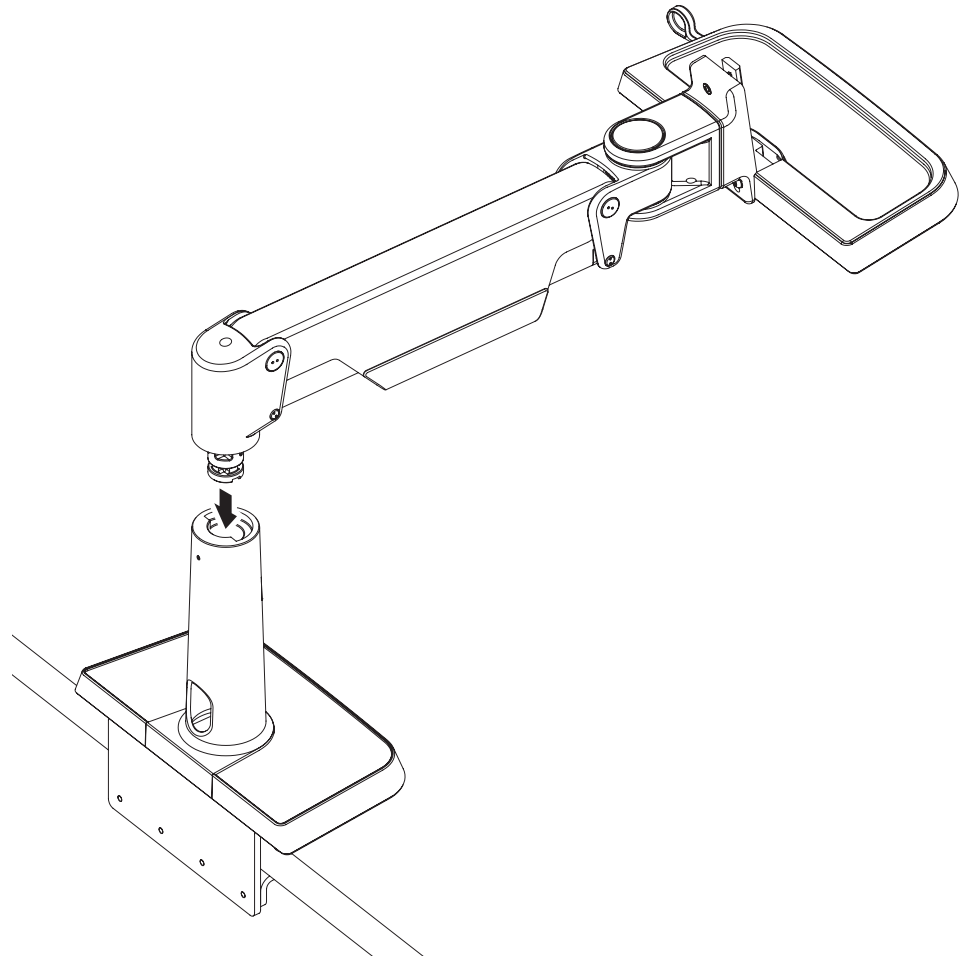
Parts List

<p>A Rectangular Spacer 2x 701544</p> 	<p>F Vertical Column 1x 113389</p> 	<p>K Column Cap 1x 113496</p> 	<p>P Dog Washer 2x 111230-603</p> 	<p>U Cable Clip 2x 112082</p> 
<p>B 1/2-13 x 3" Socket Set Screw 2x 701126</p> 	<p>G 3mm Allen Wrench 1x 701313</p> 	<p>L 10-32 x 3/8" PhPHS (4-pack) 2x 702281</p> 	<p>Q 10-32 x 1/2" FHSCS 2x 711240</p> 	<p>V Cable Manager 1x 113842</p> 
<p>C Work Surface 1x 413878-WHT (white) 413878-BLK (black)</p> 	<p>H M5 x 10 mm Screws 2x 713966</p> 	<p>M 75/100 mm VESA Adapter 2x 105587</p> 	<p>R 1/8" Allen Wrench 1x 701312</p> 	<p>W 4mm Allen Wrench 1x 709877</p> 
<p>D M8 Screws 4x 714262</p> 	<p>I Horizontal Beam 1x 414818</p> 	<p>N Standard Monitor Tilter 2x 405397</p> 	<p>S 7/32" Allen Wrench 1x 701127</p> 	
<p>E 5mm Allen Wrench 1x 710838</p> 	<p>J Monitor Bracket 1x 414250</p> 	<p>O M4 x 12mm PhPHS (4-pack) 2x 702096</p> 	<p>T 3/32" Allen Wrench 1x 700146</p> 	

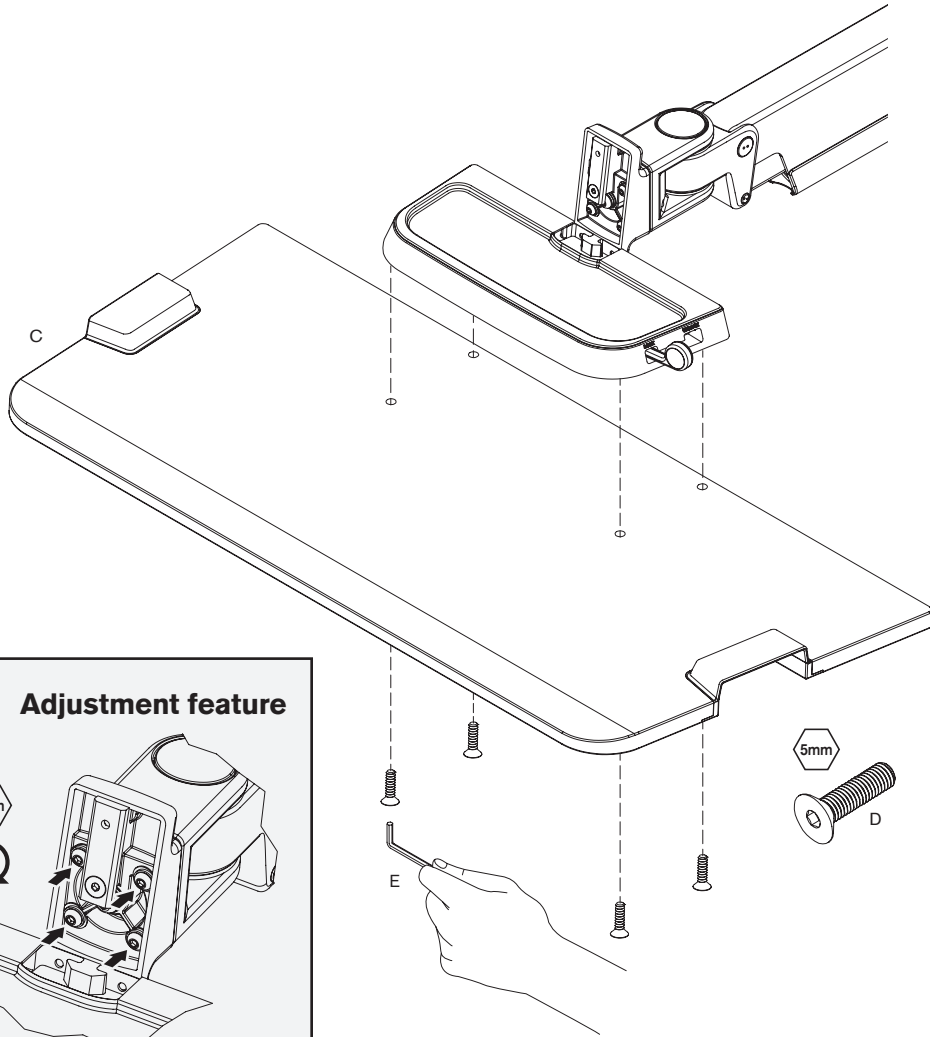
1



2



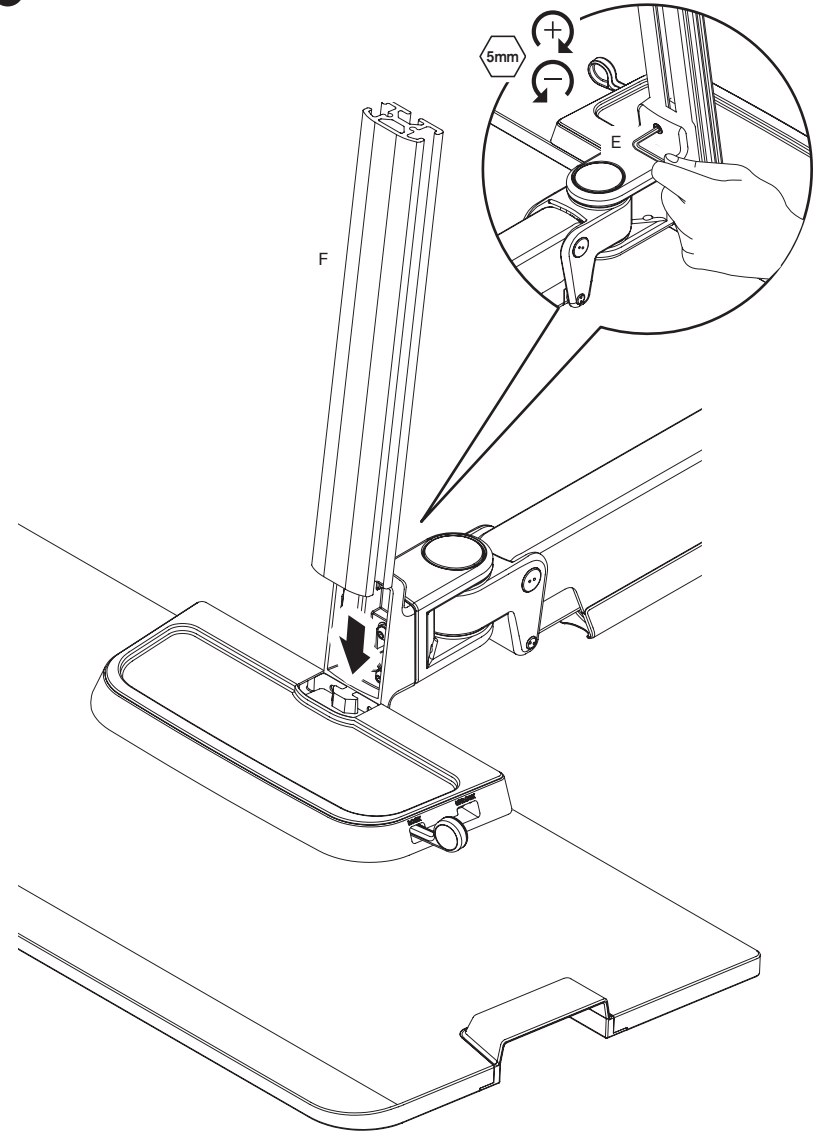
3



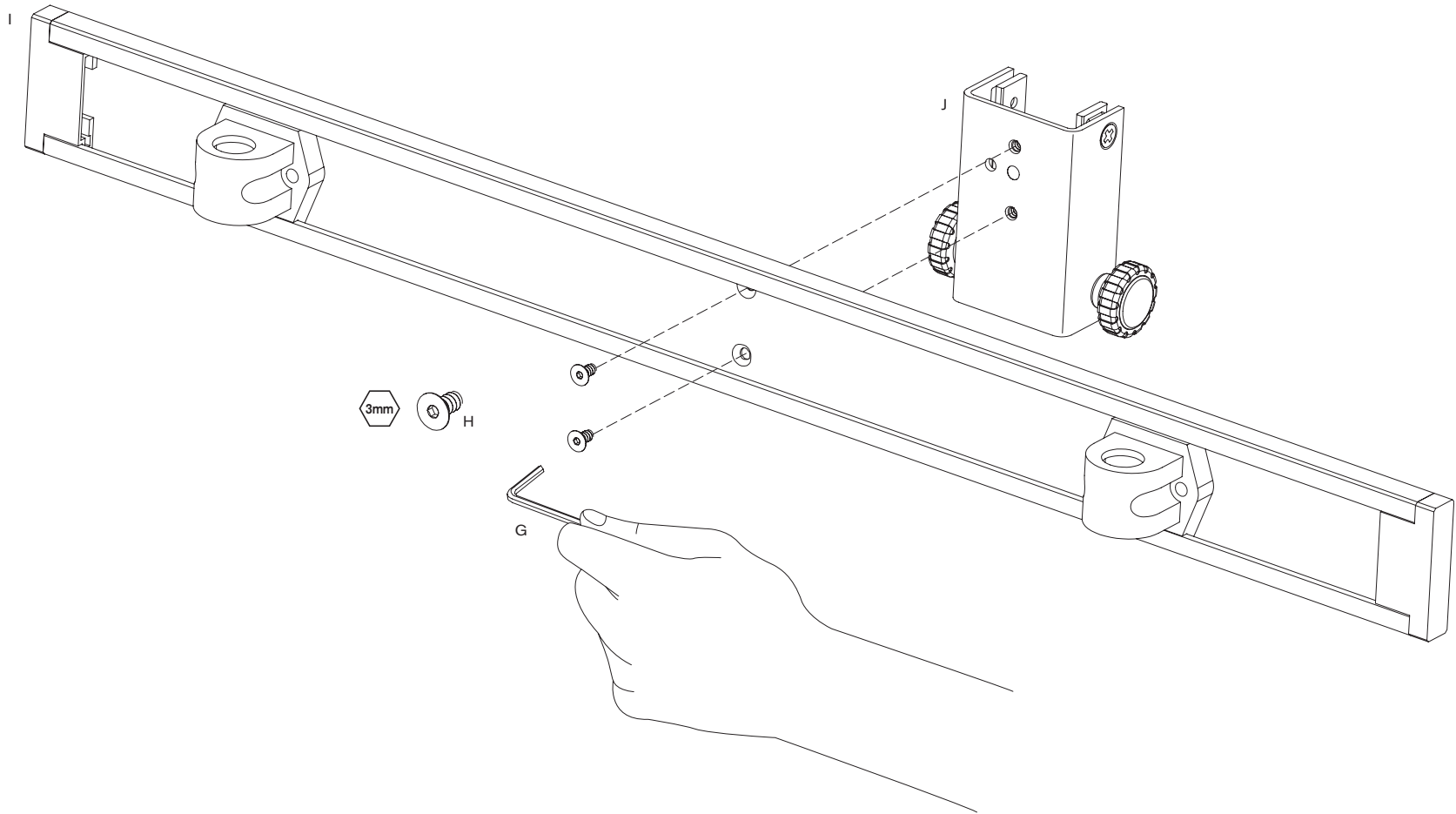
i Adjustment feature

Left-right tilt work surface adjustment can be made by tightening the (4) outer hex head screws with a 4mm Allen Wrench (item W).

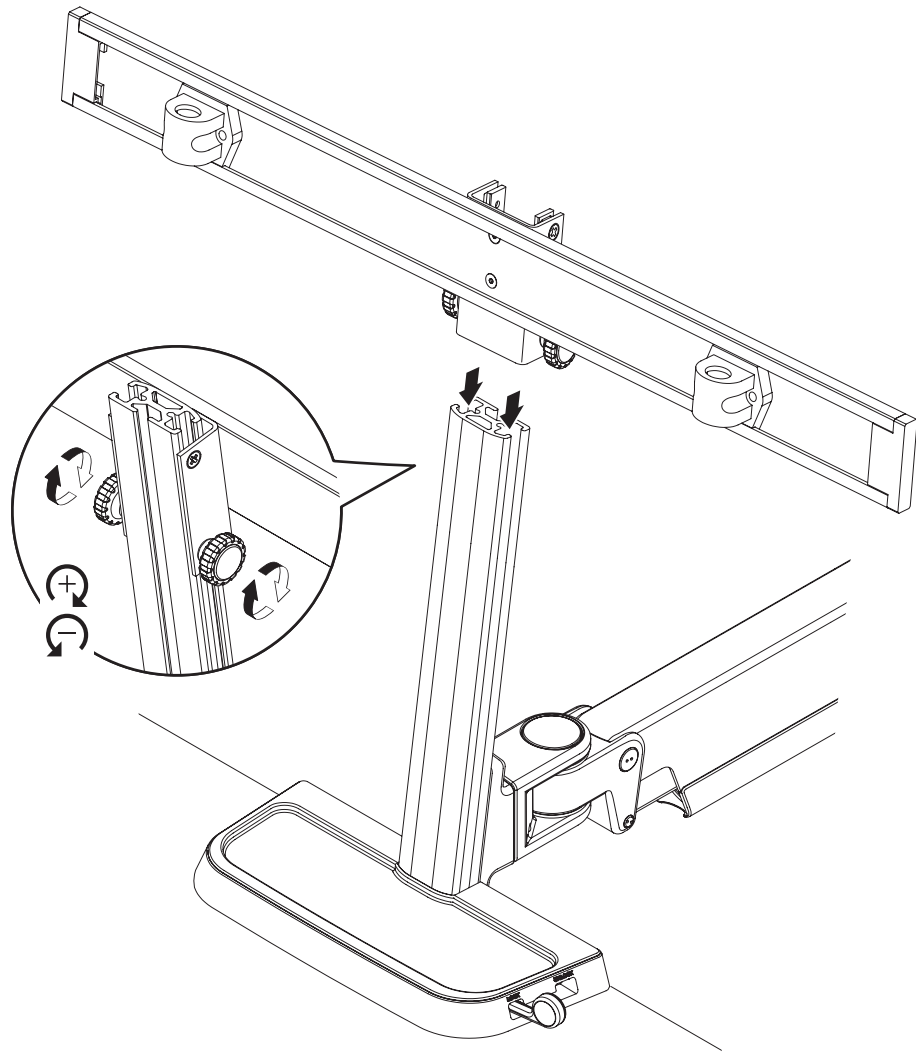
4



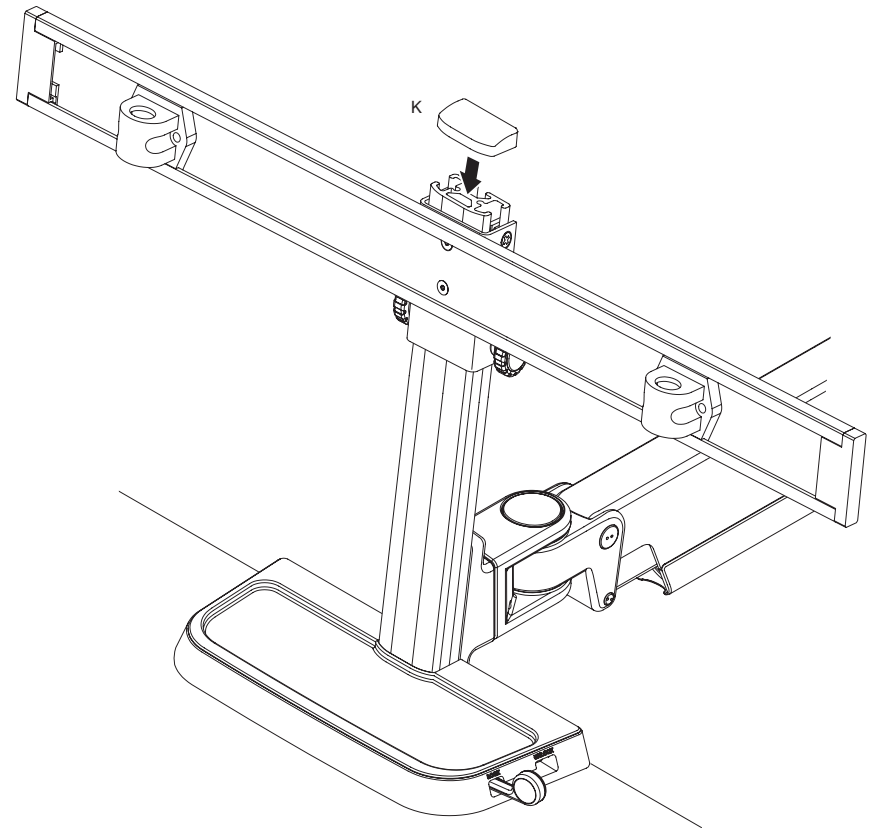
5



6

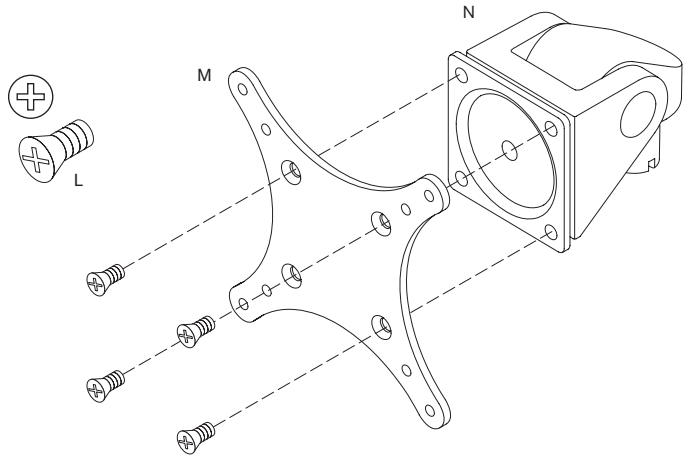


7



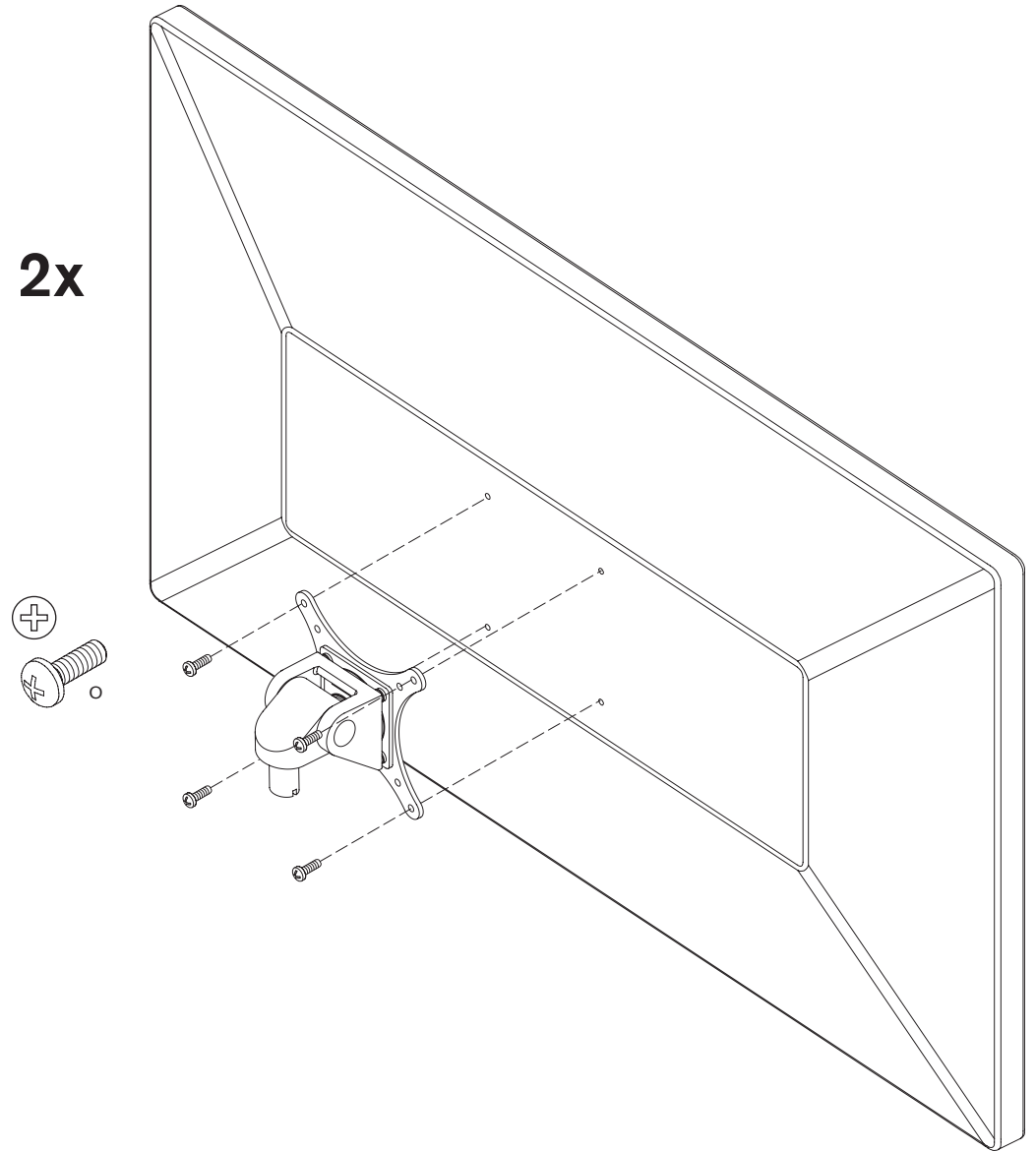
8

2x

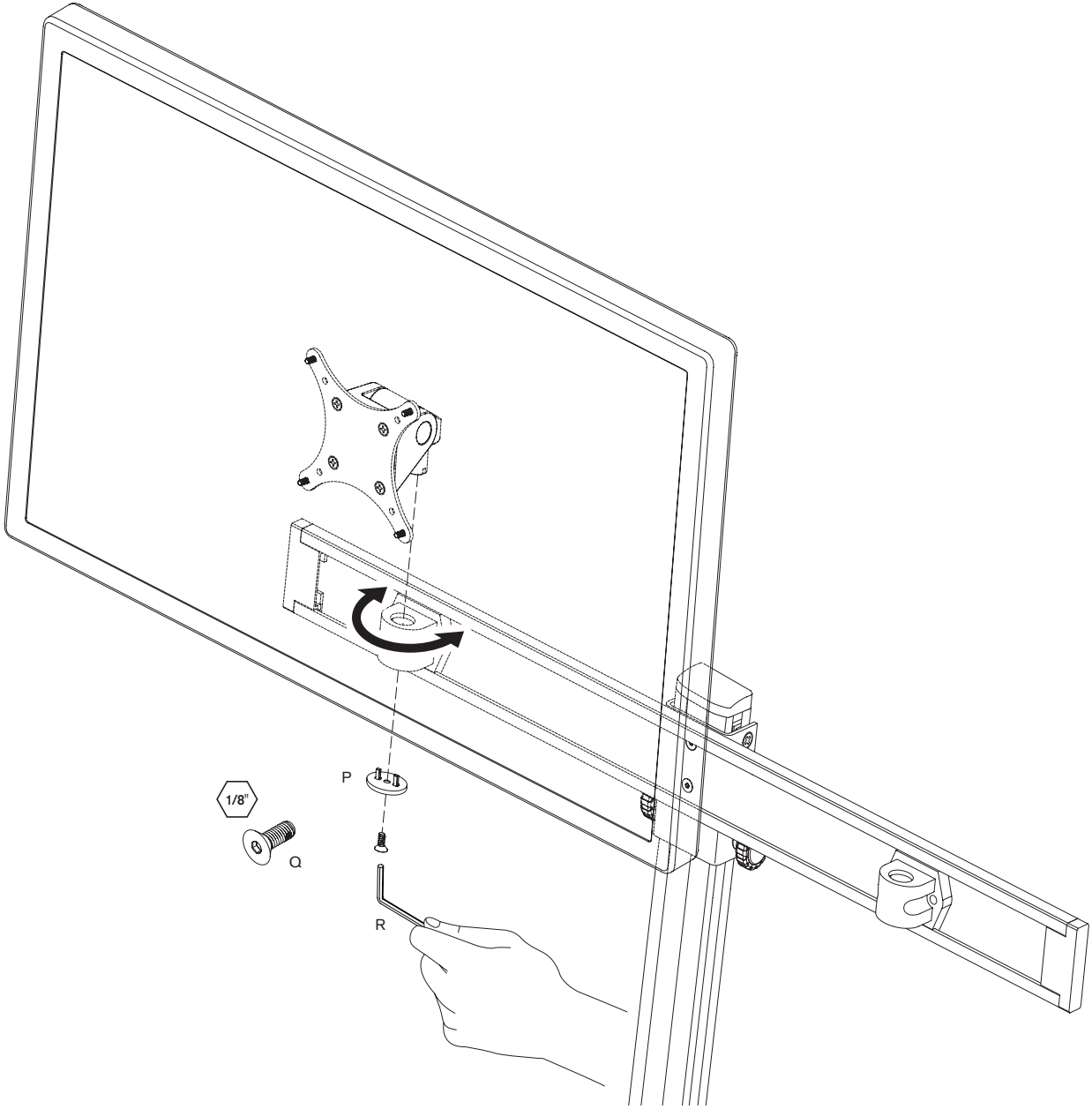


9

2x



2x

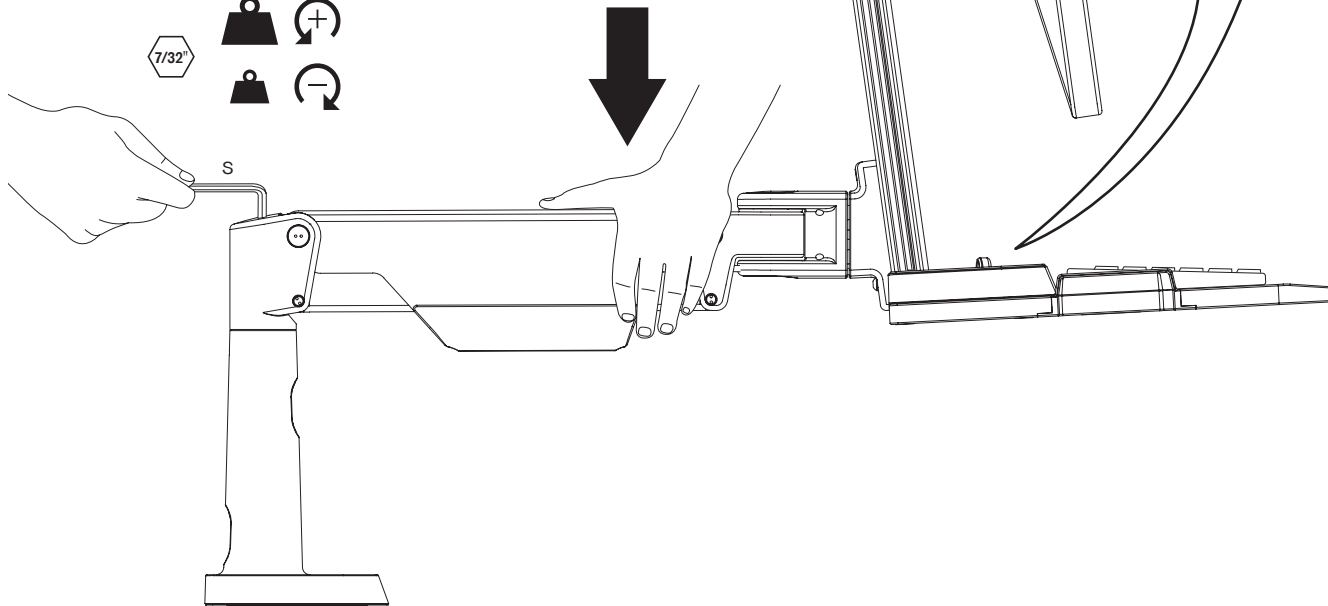
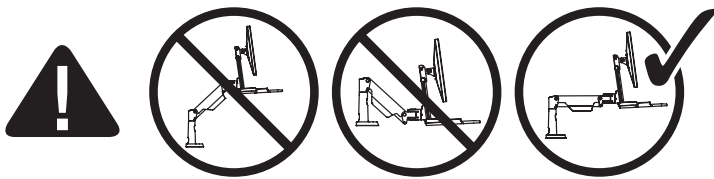
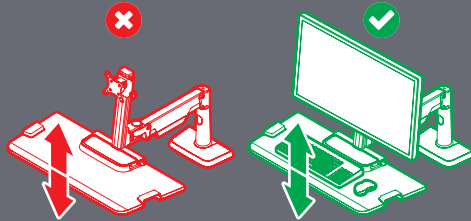


11

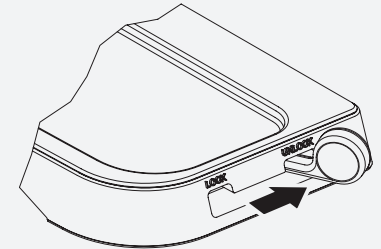


CAUTION:

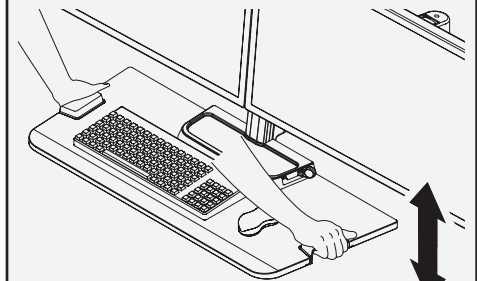
Mechanism can rise quickly with no equipment in place. User equipment must be properly installed, prior to height adjustment. Failure to do so may result in personal injury and/or property damage.



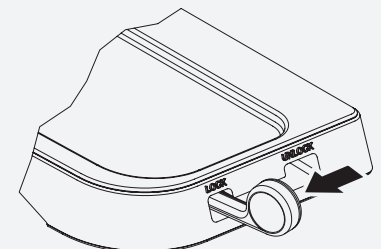
Height adjustment



Slide lever into "unlock" position.

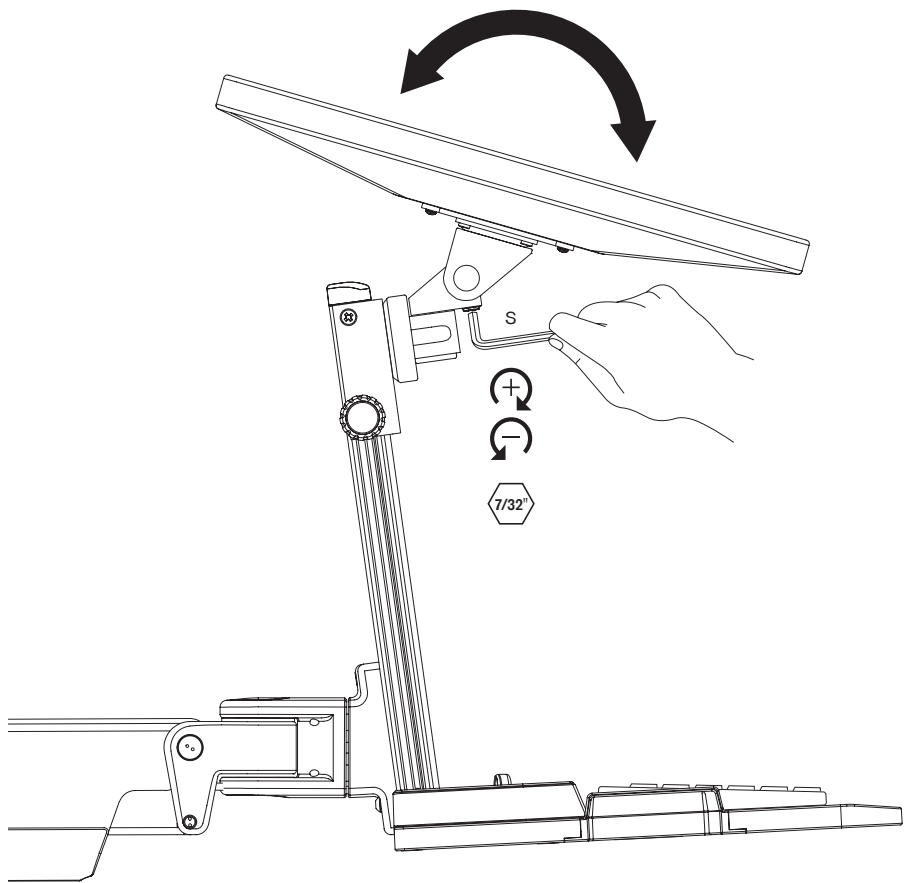


Raise/lower to desired height.



Slide lever into "lock" position for maximum stability.

12



13

