

STEP 1 | COLUMN Page 3

STEP 2 | MOUNT Page 4

STEP 3 | WORK SURFACE Page 5

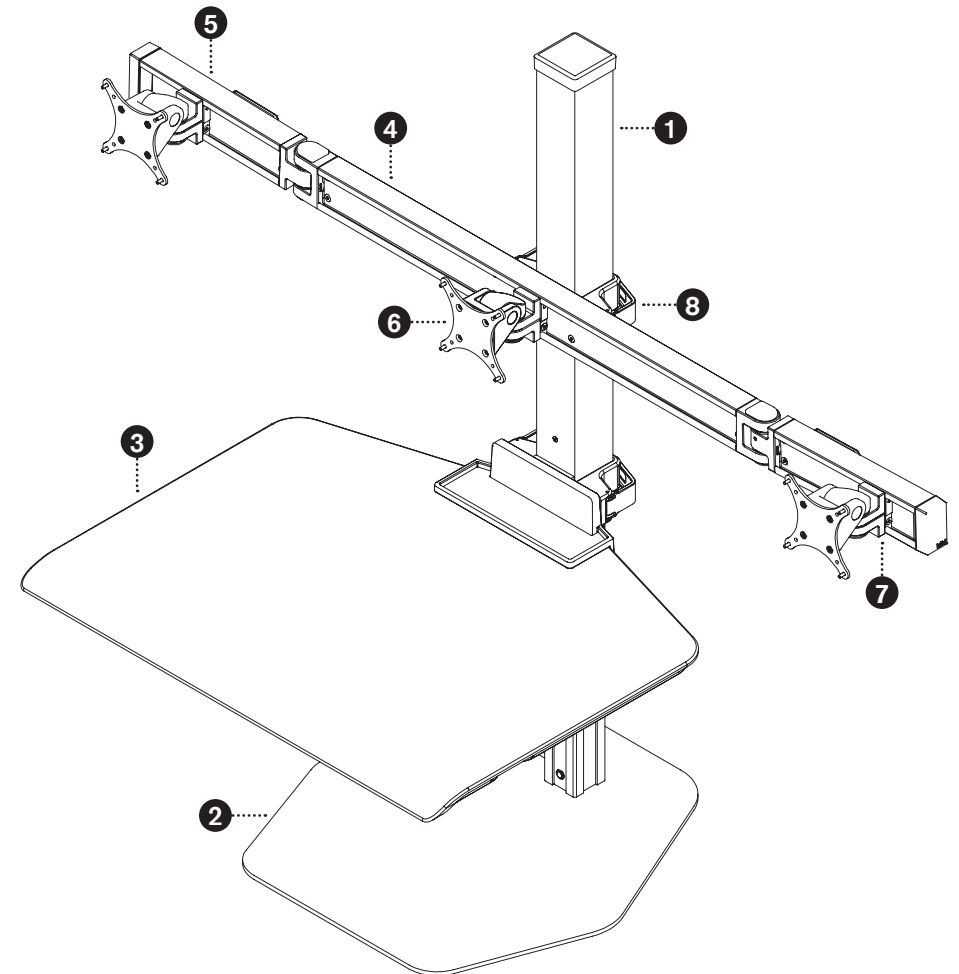
STEP 4 | CENTER BEAM Page 6

STEP 5 | EXTENSION BEAMS Page 7

STEP 6 | MONITOR TILTER Page 8

STEP 7 | MONITOR CUPS Page 9

STEP 8 | CABLE MANAGEMENT Page 10



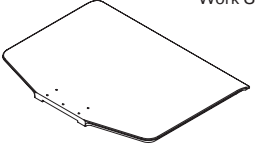
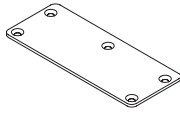
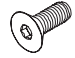
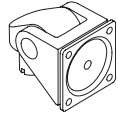
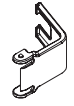
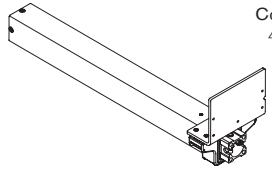
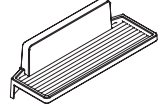
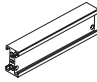
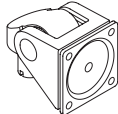


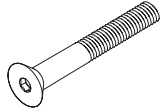
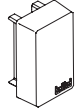
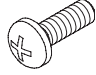

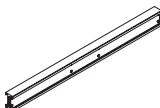

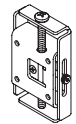
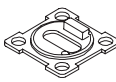
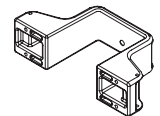
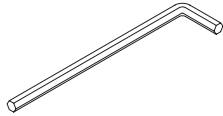
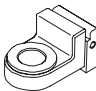
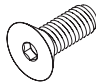


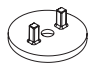
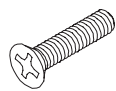
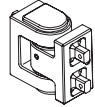
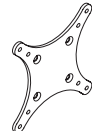

NOTE: Depending on your Winston Workstation® configuration, you may not receive all the parts shown within this instruction booklet.

Installation may require two people.

Depending on your Winston Workstation® configuration, **you may not receive all parts** shown below.

WNST-3 & WNST-4

Winston Workstation® Triple & Quad | Parts List

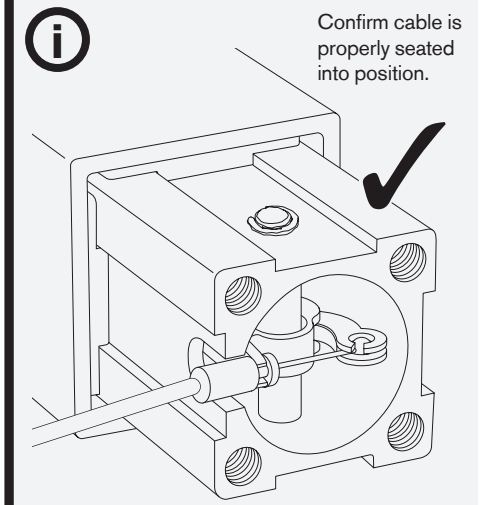
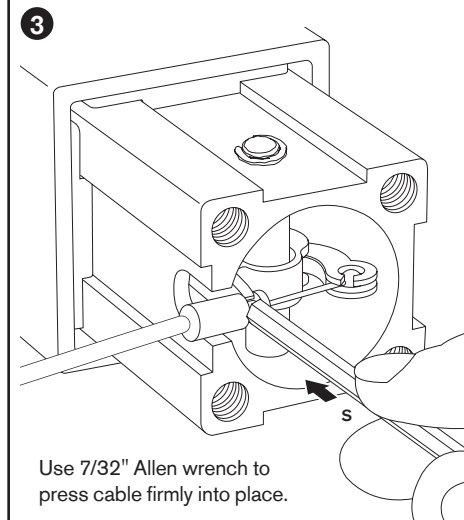
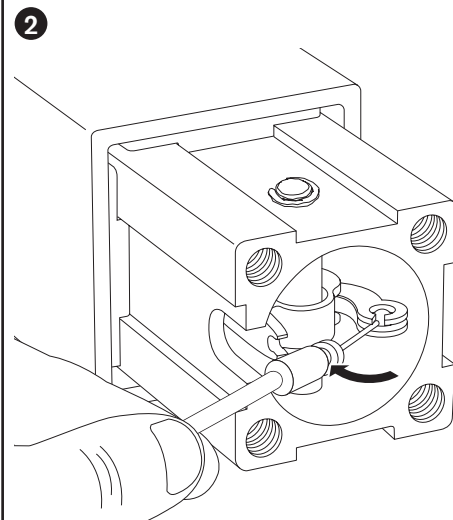
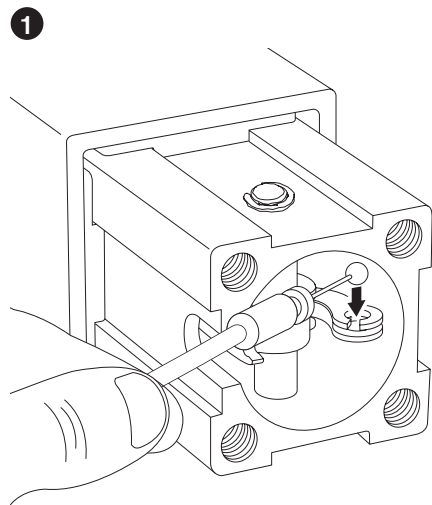
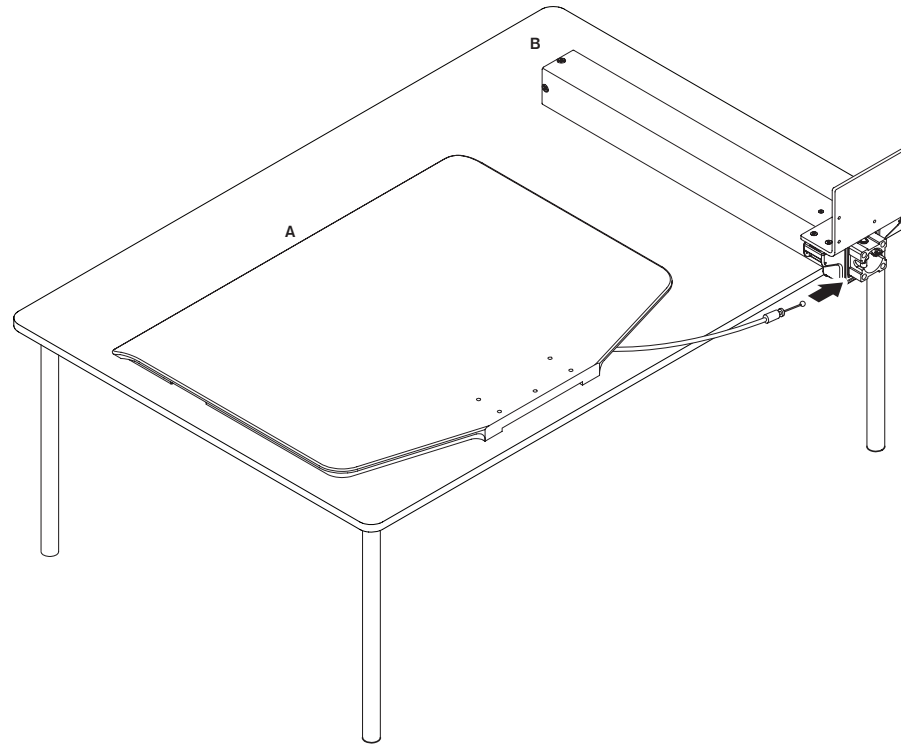
<p>A</p>  <p>Work Surface 111435</p>	<p>H</p>  <p>Top Plate 111736</p>	<p>O</p>  <p>10-32 x 9/16" FHSCS 711438</p>	<p>V</p>  <p>Standard Monitor Tilter 405397</p>	<p>CC</p>  <p>Column Cable Clip 111203-708</p>
<p>B</p>  <p>Column 411470</p>	<p>I</p>  <p>Utility Tray 113025</p>	<p>P</p>  <p>Extension Beam (10" or 20") 111099-10 or 111099-20</p>	<p>W</p>  <p>HD Monitor Tilter (optional) 407747</p>	<p>DD</p>  <p>Extension Beam Cable Clip 111252</p>
<p>C</p>  <p>Felt Pad 111464</p>	<p>J</p>  <p>FHSCS 10-32 x 1-1/2" 711101</p>	<p>Q</p>  <p>End Cap 111159-708</p>	<p>X</p>  <p>M4 x 12mm PhPHS 702096</p>	
<p>D</p>  <p>Freestanding Base 111248</p>	<p>K</p>  <p>Center Beam (10" or 30") 111098-10 or 111098-30</p>	<p>R</p>  <p>1/8" Allen Wrench 701312</p>	<p>Y</p>  <p>Fine Tune Adjust 8473</p>	
<p>E</p>  <p>Cable Retainer 111735</p>	<p>L</p>  <p>Column Clamp 111040</p>	<p>S</p>  <p>7/32" Allen Wrench 701127</p>	<p>Z</p>  <p>Monitor Cup 411351</p>	
<p>F</p>  <p>3/8-16 x 1" FHSCS 701124</p>	<p>M</p>  <p>Column Cap 111275-708</p>	<p>T</p>  <p>10-32 x 3/8" PhPHS 702281</p>	<p>AA</p>  <p>Dog Washer 111230-603</p>	
<p>G</p>  <p>Screws 713273</p>	<p>N</p>  <p>Hinge 411491</p>	<p>U</p>  <p>75/100 mm VESA Adapter 105587</p>	<p>BB</p>  <p>10-32 x 1/2" FHSCS 711240</p>	

STEP 1

COLUMN

IMPORTANT: Do not pull excessively on cable – doing so may result in accidental actuation of column.

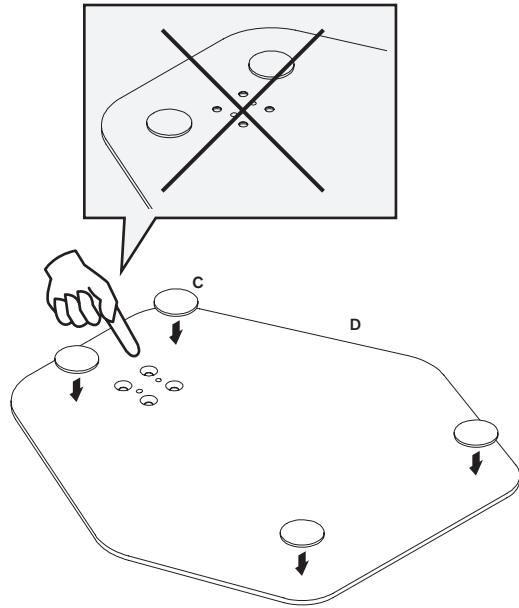
CAUTION: Do not press height adjust button until unit is fully assembled.



STEP 2

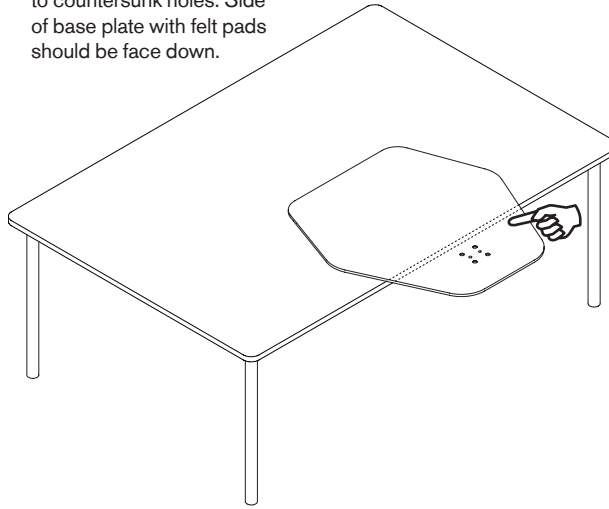
MOUNT

1



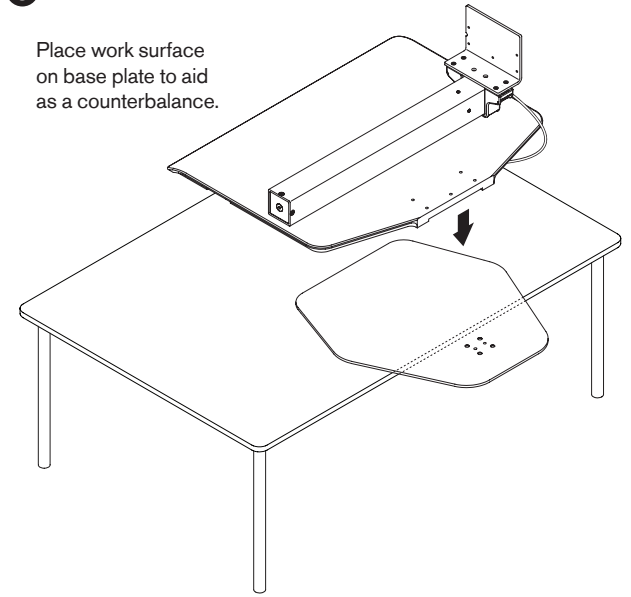
2

Hang base plate over edge of work surface to allow access to countersunk holes. Side of base plate with felt pads should be face down.

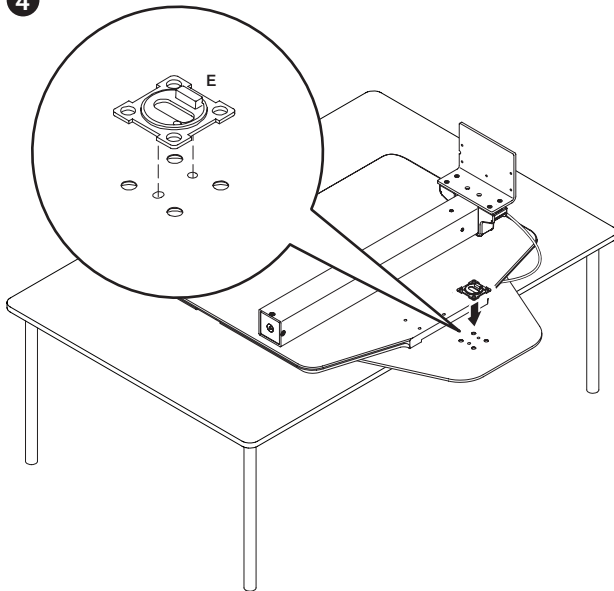


3

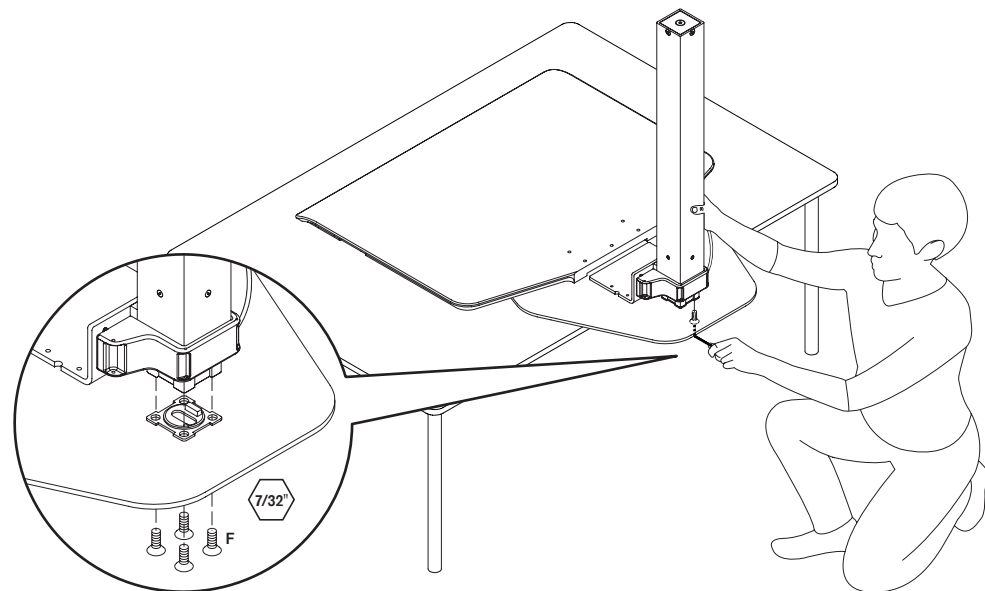
Place work surface on base plate to aid as a counterbalance.



4



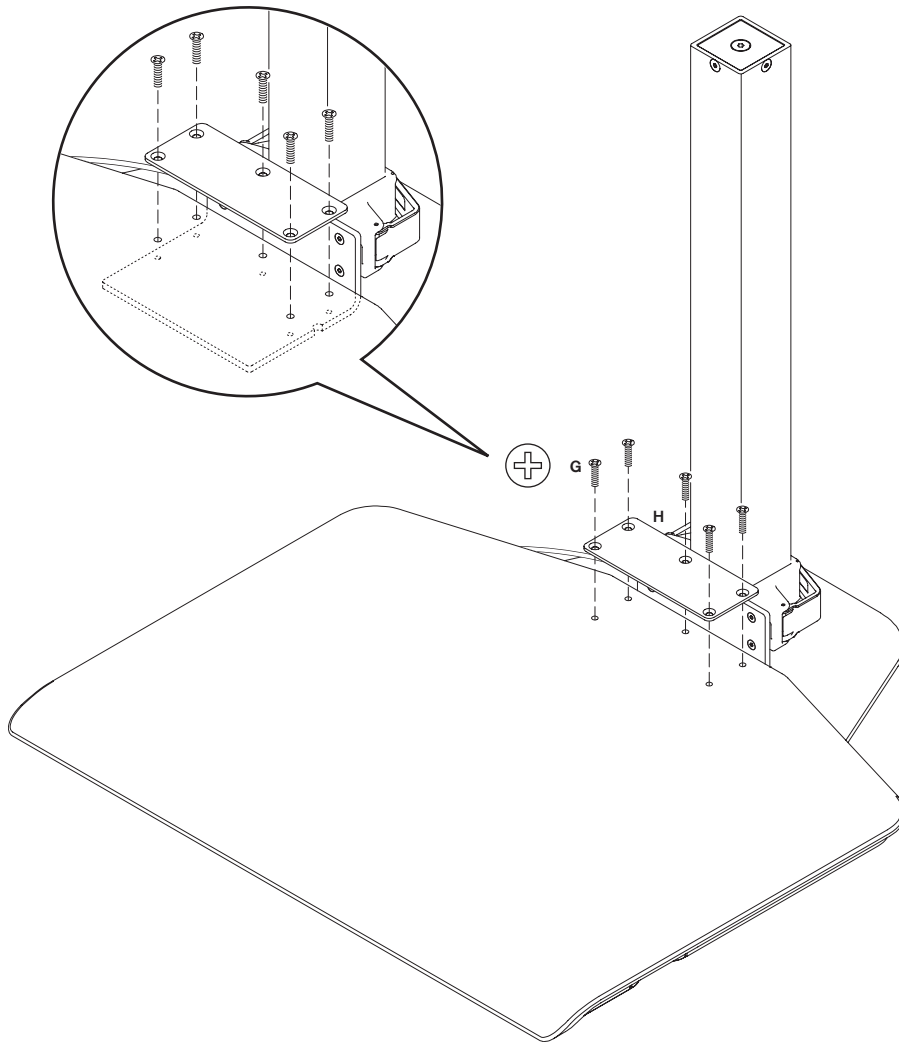
5



STEP 3

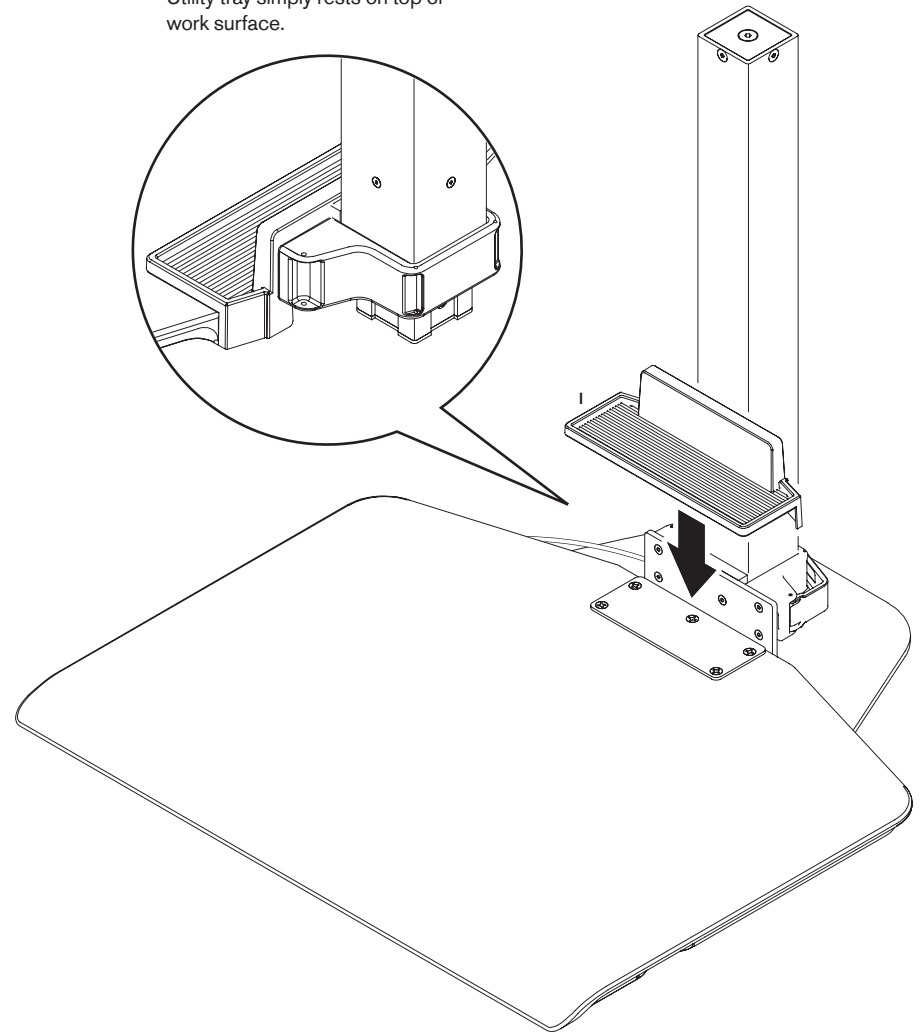
WORK SURFACE

1



2

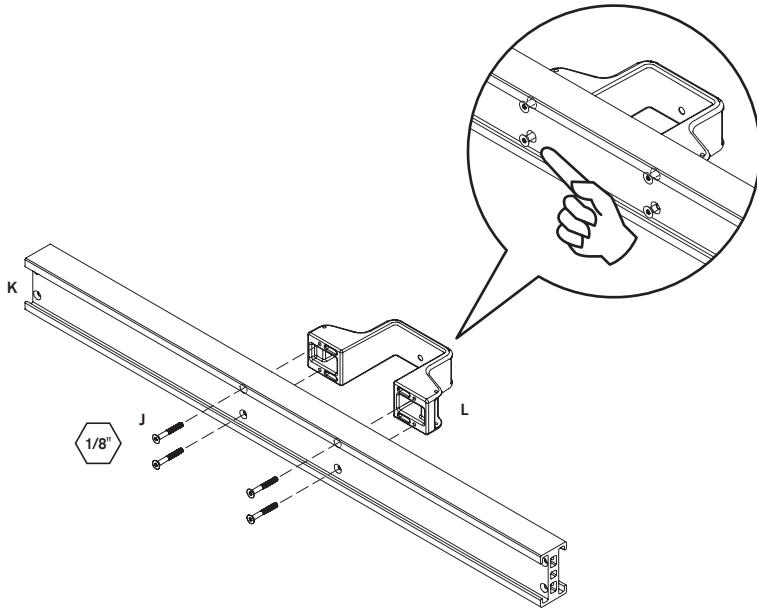
Slide utility tray onto work surface.
Utility tray simply rests on top of
work surface.



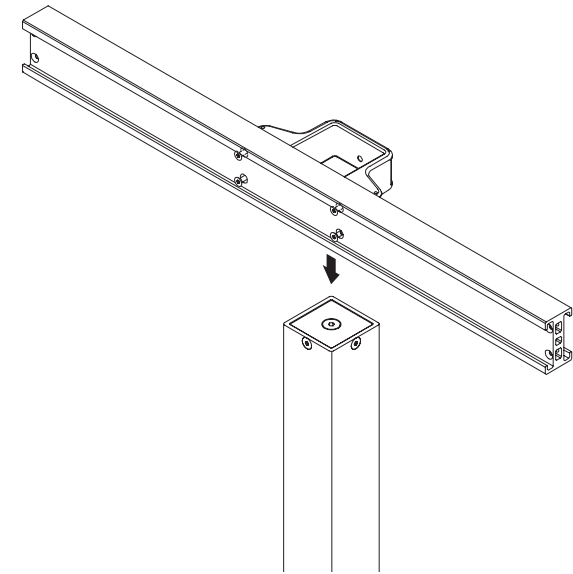
STEP 4

CENTER BEAM

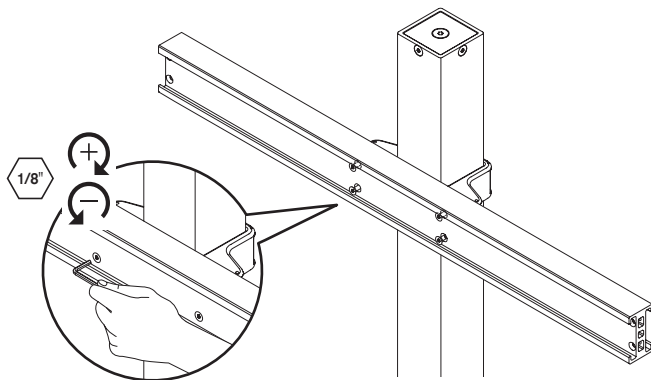
1



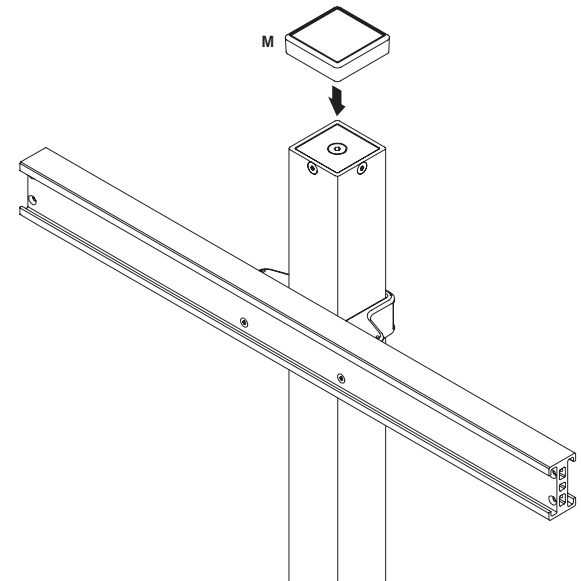
2



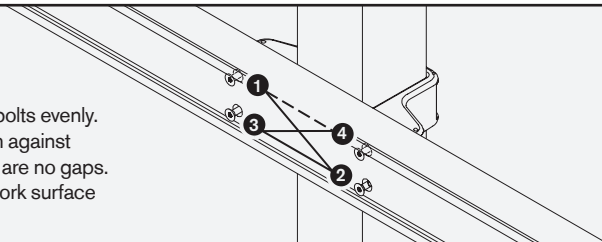
3



4

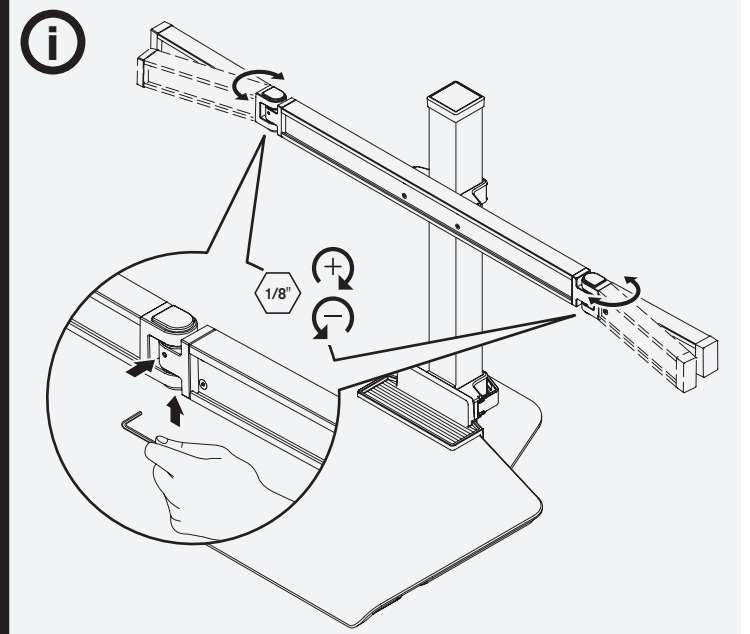
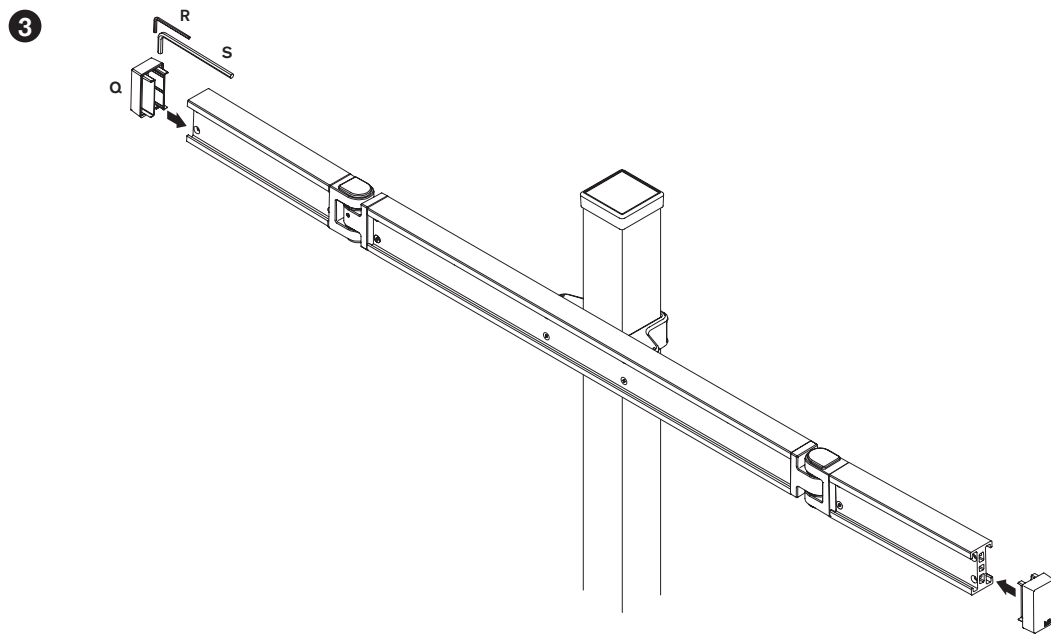
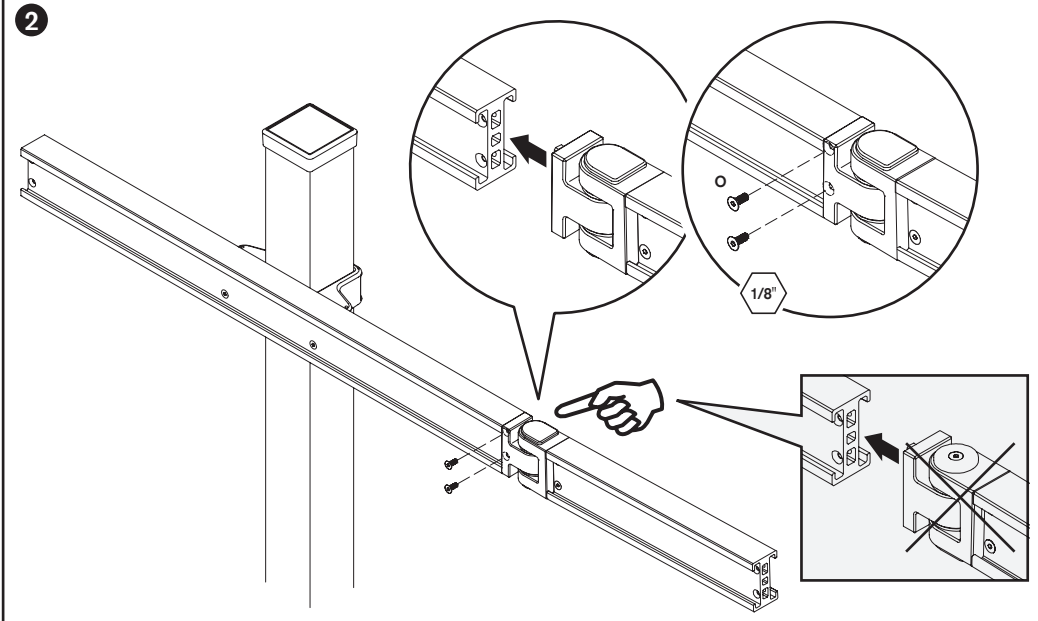
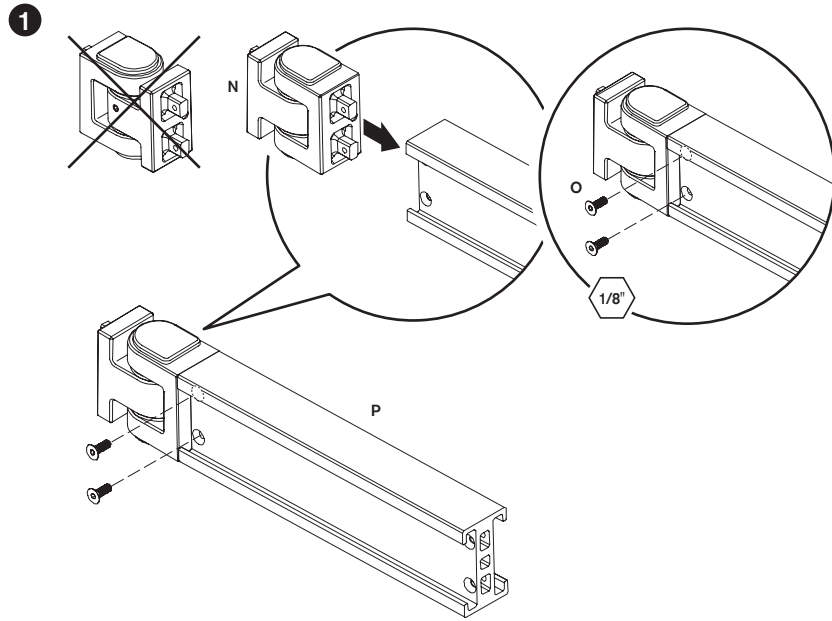


IMPORTANT: Tighten bolts evenly. The beam should sit flush against the column, ensure there are no gaps. Also, it is important the work surface clamp is level.



STEP 5

EXTENSION BEAMS

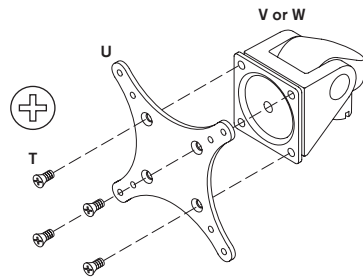


STEP 6

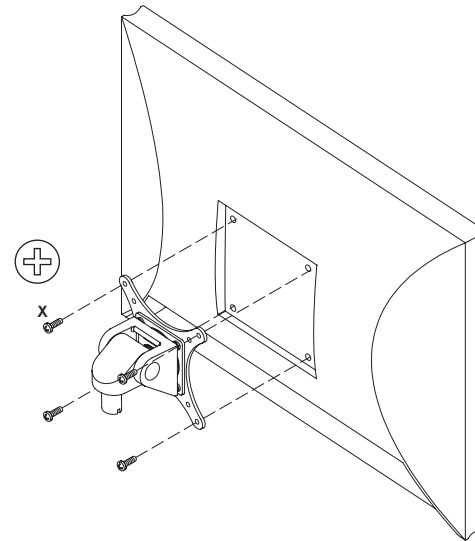
MONITOR TILTER

STANDARD TILTER & SPRING TILTER

1

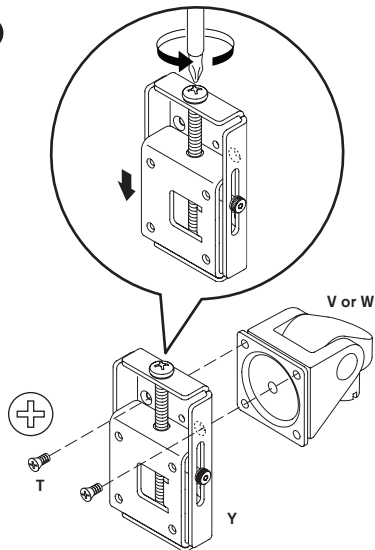


2

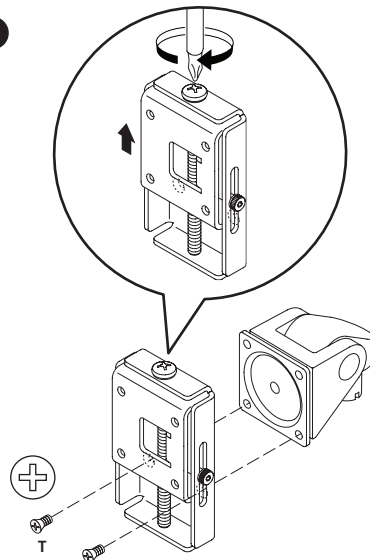


FINE TUNE HEIGHT ADJUST TILTER

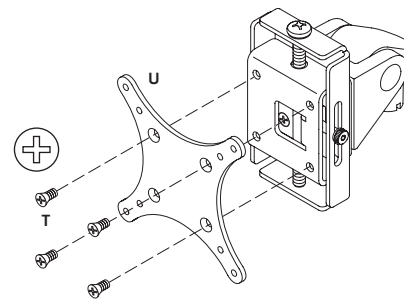
1



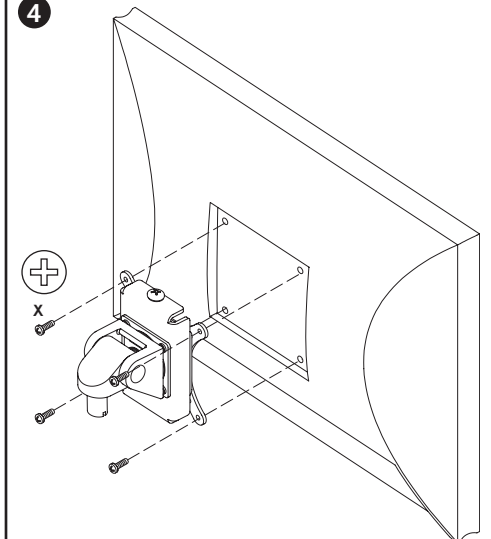
2



3



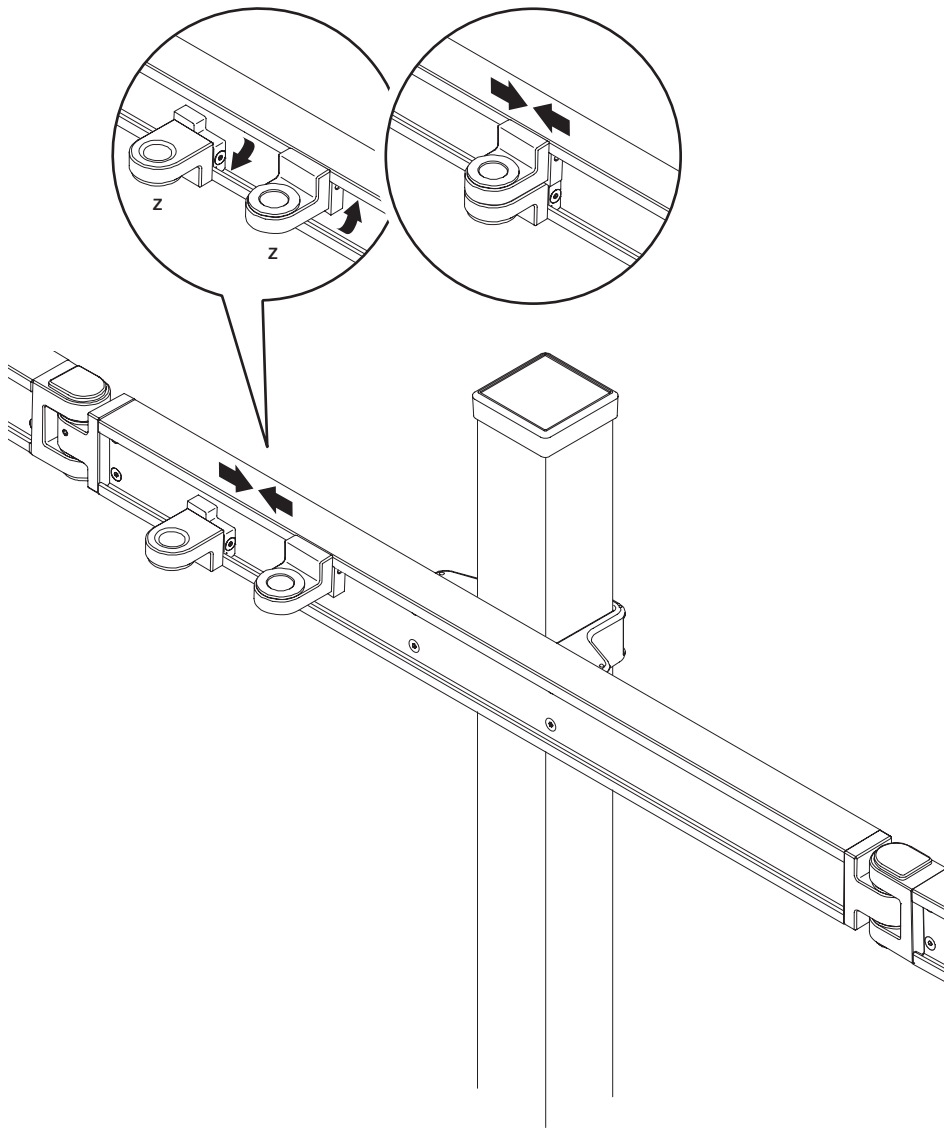
4



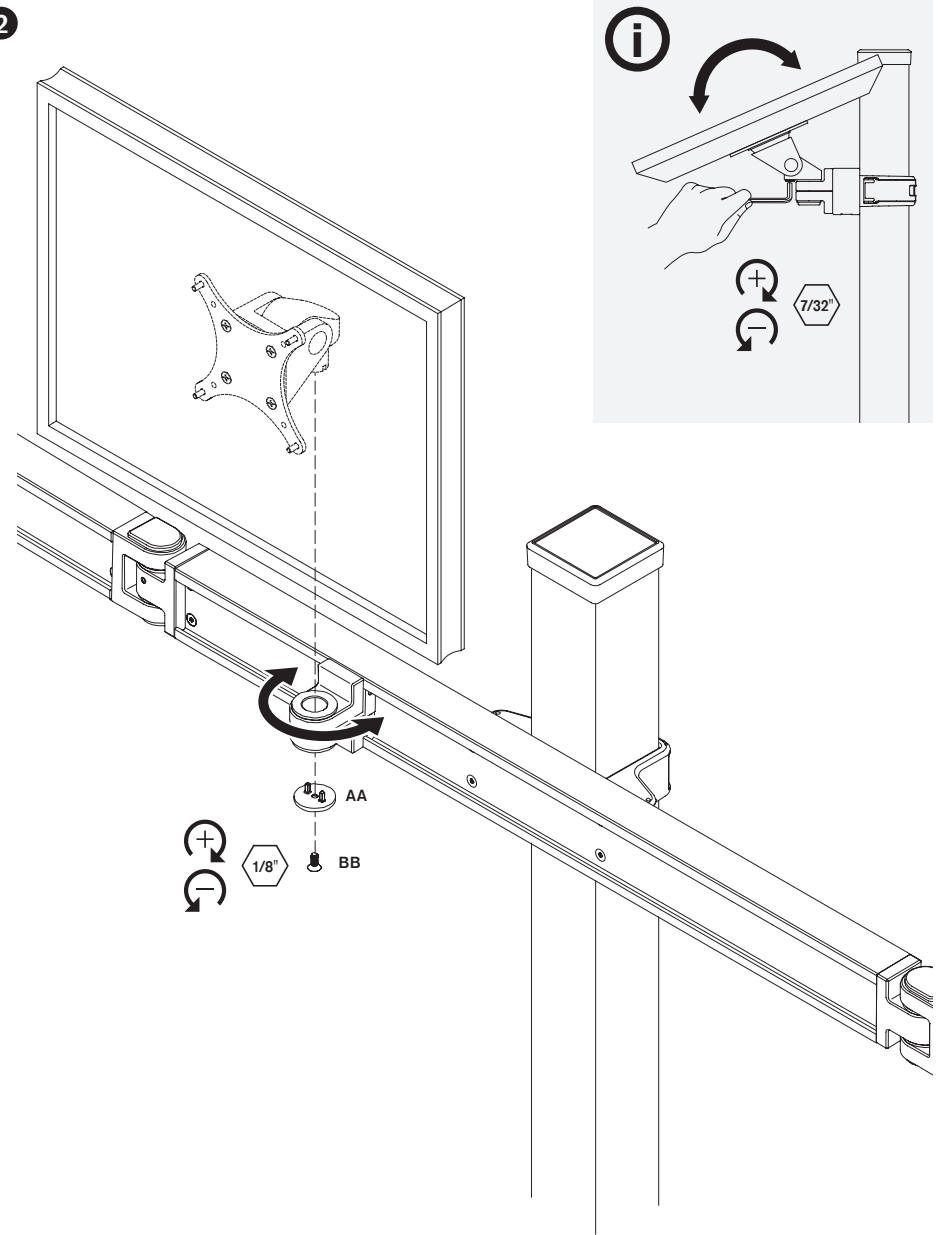
STEP 7

MONITOR CUPS

1



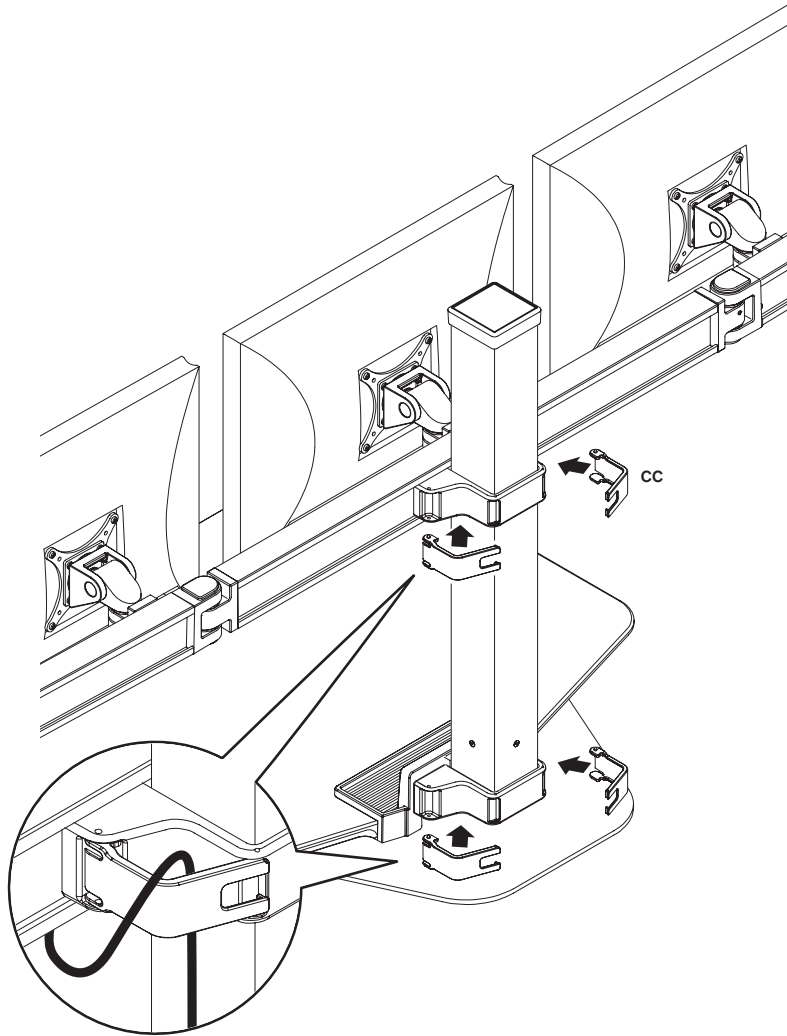
2



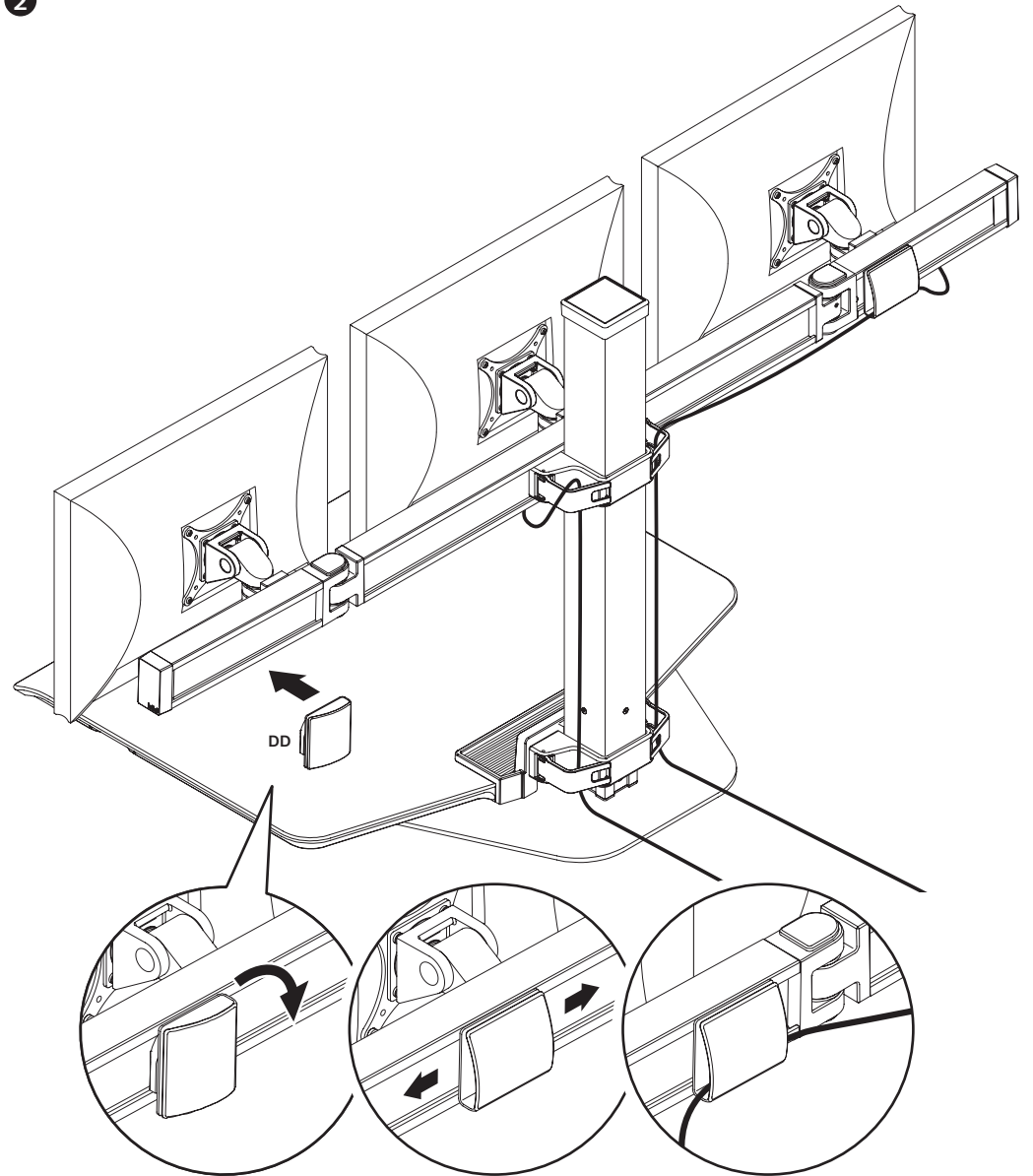
STEP 8

CABLE MANAGEMENT

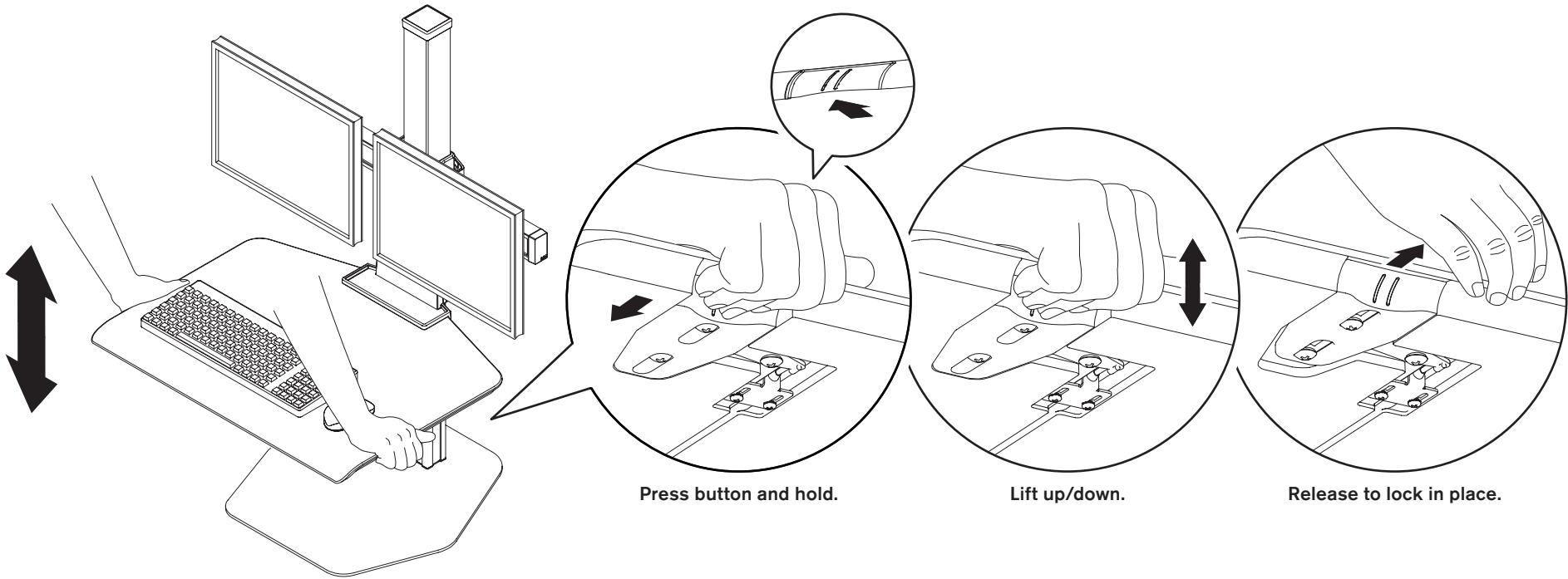
1



2



HEIGHT ADJUSTMENT



i **Is your height adjust button not working?**
If so, make the adjustments below.

- 1 Slide workstation so that the work surface hangs over desk edge to allow access to underneath the work surface.
- 2 Loosen the two screws as shown.
- 3 Slide bracket in the direction shown and tighten screws.
- 4 Test height adjust button – readjust by repeating the steps above as necessary.

