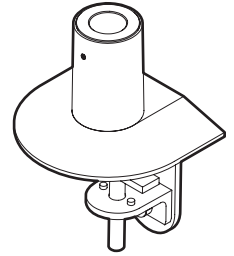


# FLEXMOUNT® 8318

## Installation Instructions



### Desk Clamp

- 1
- 2
- 3

### Thru-Desk

#### 8318-CUP

#### 8318-THRU

### Wall Mount

- 1
- 2

\* Hardware not included.

### Reverse Wall Mount

#### 8318-WALL

- 1
- 2

\* Hardware not included.

### Grommet Hole

- 1
- 2
- 3

> 2.5"

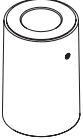
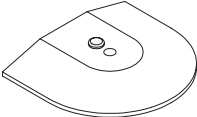
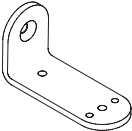
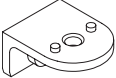
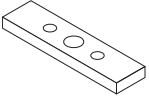
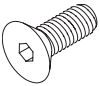
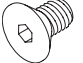
### Side Bolt

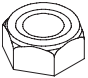
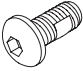
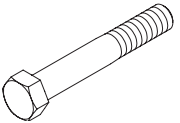
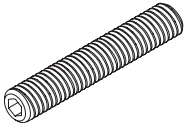
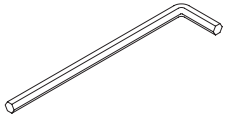

- 1
- 2

\* Hardware not included.

# FLEXMOUNT® 8318

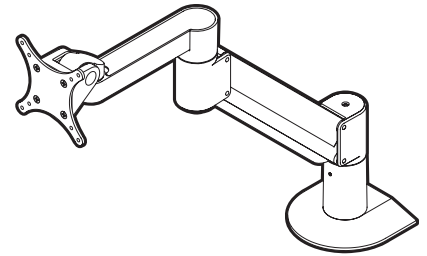
## Parts List

ITEM	DESCRIPTION / PART NO.	QUANTITY
A 	Mount Column 407602	1
B 	Base Plate 8321	1
C 	Large "L" Bracket 702828	1
D 	Small "L" Bracket 111728	1
E 	Rectangular Spacer 701544	1
F 	3/8-16 x 1-1/4" Flat Socket Cap Screw 701855	1
G 	3/8-16 x 1/2" BHSCS 702898	1

ITEM	DESCRIPTION / PART NO.	QUANTITY
H 	3/8-16 Nylon Stop Nut 701418	1
I 	3/8-16 x 7/8" Button Socket Cap Screw 701122	1
J 	3/8-16 x 2-1/2" Hex Head Bolt 700268	1
K 	1/2-13 x 3" Socket Set Screw 701126	1
L 	7/32" Allen Wrench 701127	1
M 	3/32" Allen Wrench 700146	1

# iLIFT™

## Installation Instructions



**1**

**2**

**3**

\* Apple VESA® Mount Adapter Kit (sold separately).

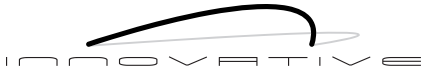
**4**

**5**

**6**

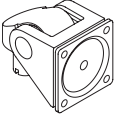

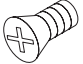
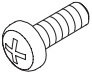
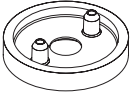

**7**

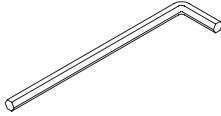

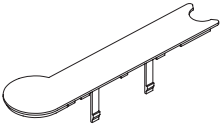
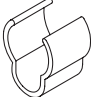
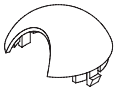
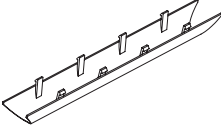
**8**



# iLIFT™

## Parts List

ITEM	DESCRIPTION / PART NO.	QUANTITY
A	 <b>Spring-Assisted Monitor Tilter</b> 407747	1
B	 <b>75/100mm VESA® Adapter Plate</b> 105587	1
C	 <b>10-32 x 3/8" Phillips Flat Head Screw</b> 702281 (4-pack)	1
D	 <b>M4 x 12mm Phillips Pan Head Screw</b> 702096 (4-pack)	1
E	 <b>Dog Washer</b> 105189	1
F	 <b>10-32 x 3/8" FPhMS w/Lock Patch</b> 705198	1

ITEM	DESCRIPTION / PART NO.	QUANTITY
G	 <b>7/32" Allen Wrench</b> 701127	1
H	 <b>3/32" Allen Wrench</b> 700146	1
I	 <b>Forearm Cap</b> 109597-708	1
J	 <b>Cable Clip</b> 104533	1
K	 <b>Endcap Bumper</b> 702829	1
L	 <b>Cable Cap</b> 109344	1