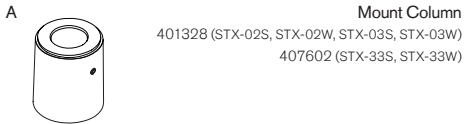
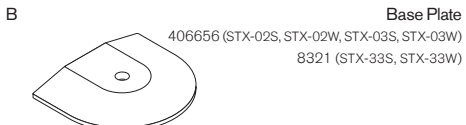


STAXX™

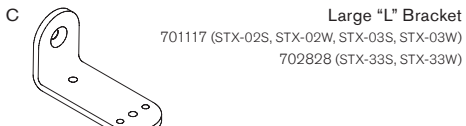
Parts List



A **Mount Column**
401328 (STX-02S, STX-02W, STX-03S, STX-03W)
407602 (STX-33S, STX-33W)



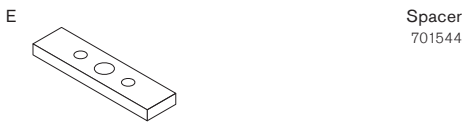
B **Base Plate**
406656 (STX-02S, STX-02W, STX-03S, STX-03W)
8321 (STX-33S, STX-33W)



C **Large "L" Bracket**
701117 (STX-02S, STX-02W, STX-03S, STX-03W)
702828 (STX-33S, STX-33W)



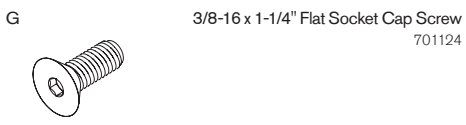
D **Small "L" Bracket**
111728



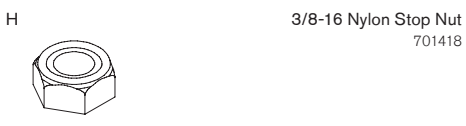
E **Spacer**
701544



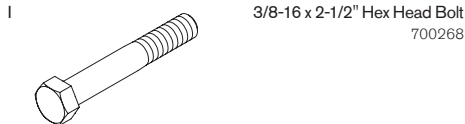
F **3/8-16 x 1/2" BHSCS**
702898



G **3/8-16 x 1-1/4" Flat Socket Cap Screw**
701124



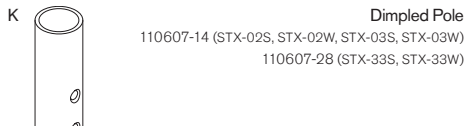
H **3/8-16 Nylon Stop Nut**
701418



I **3/8-16 x 2-1/2" Hex Head Bolt**
700268



J **1/2-13 x 3" Socket Set Screw**
701126



K **Dimpled Pole**
110607-14 (STX-02S, STX-02W, STX-03S, STX-03W)
110607-28 (STX-33S, STX-33W)



L **Stackable Mount**
413054



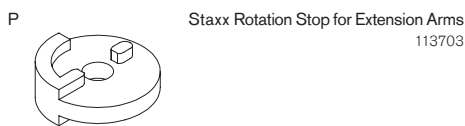
M **Pole Collar**
113332



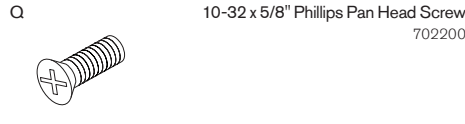
N **Pole Clip**
113449



O **Bushing Adapter**
112945



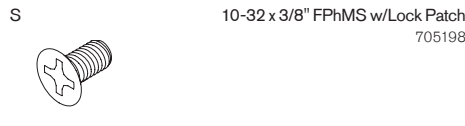
P **Staxx Rotation Stop for Extension Arms**
113703



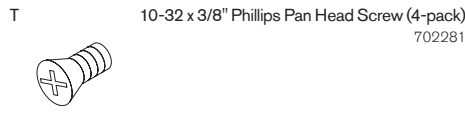
Q **10-32 x 5/8" Phillips Pan Head Screw**
702200



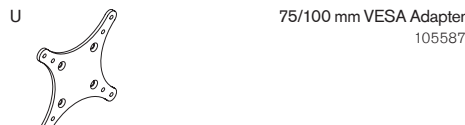
R **Dog Washer**
105189



S **10-32 x 3/8" FPhMS w/Lock Patch**
705198



T **10-32 x 3/8" Phillips Pan Head Screw (4-pack)**
702281



U **75/100 mm VESA Adapter**
105587



V **Monitor Tilter**
405397



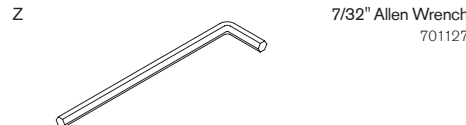
W **M4 x 12mm Phillips Pan Head Screw (4-pack)**
702096



X **Cable Clip**
104533



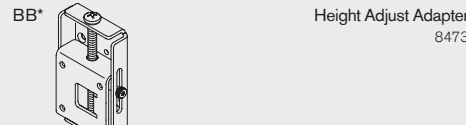
Y **Pole Cap**
105195



Z **7/32" Allen Wrench**
701127



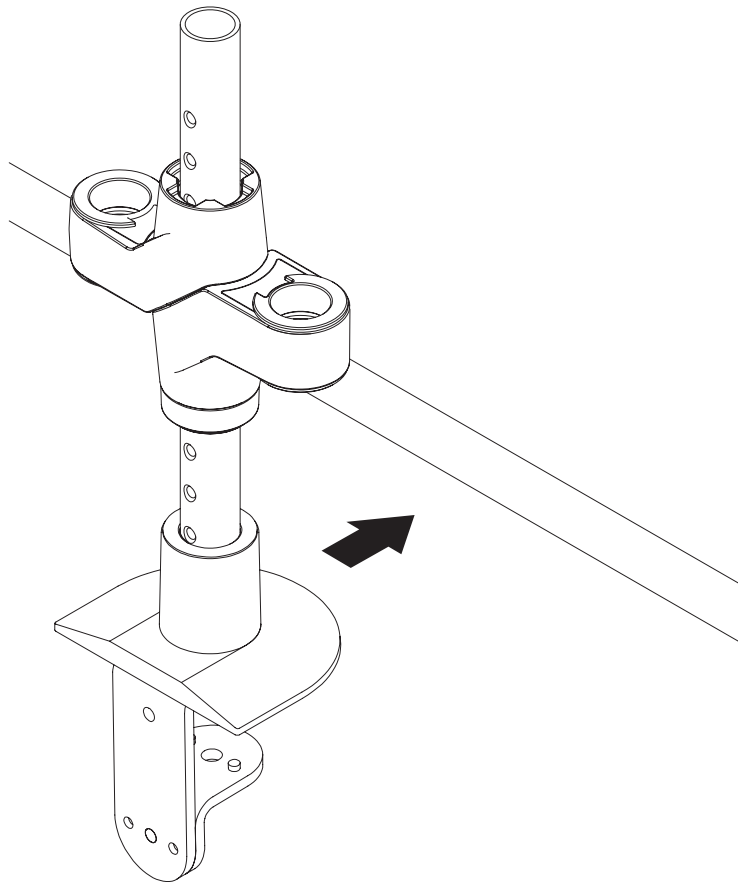
AA **3/32" Allen Wrench**
700146



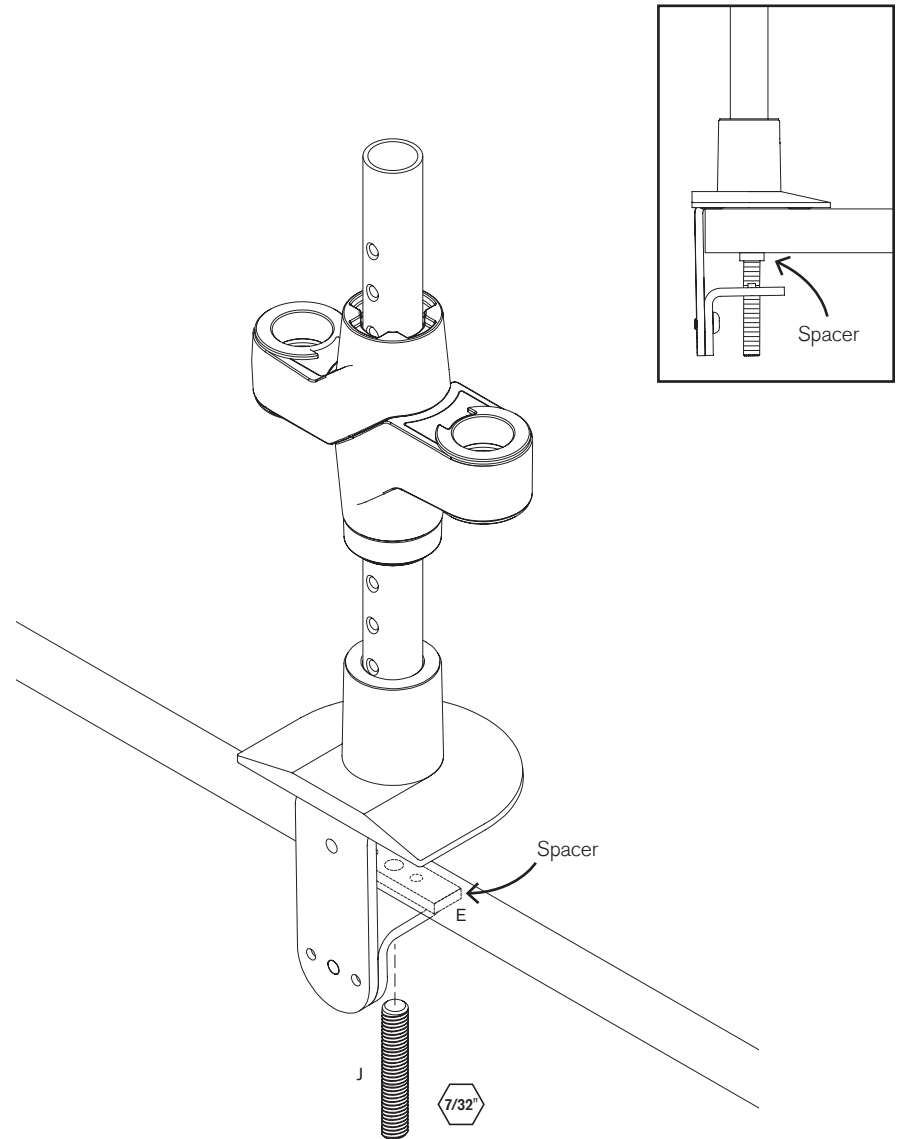
BB* **Height Adjust Adapter**
8473

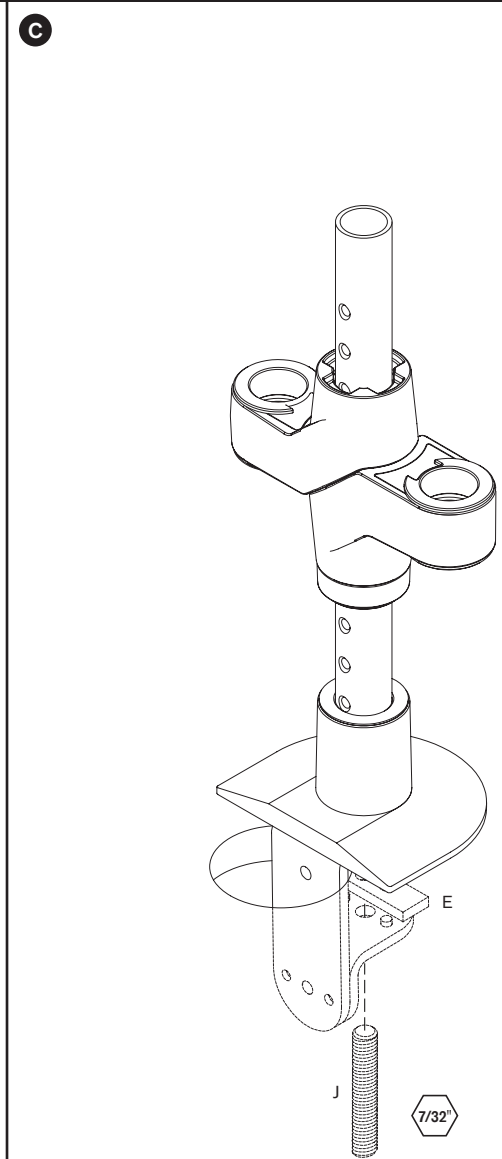
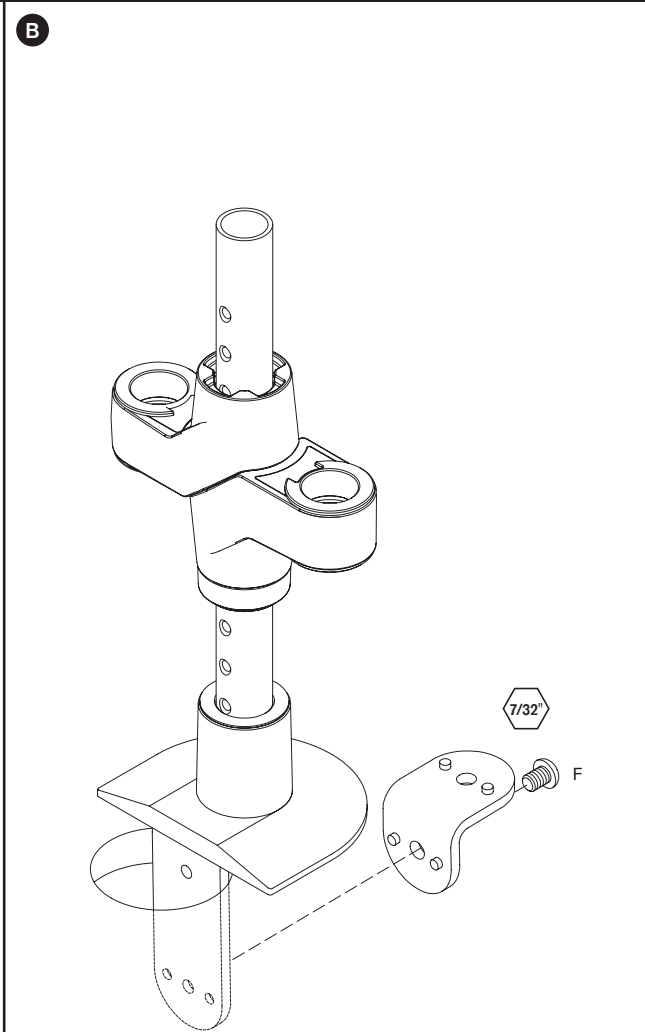
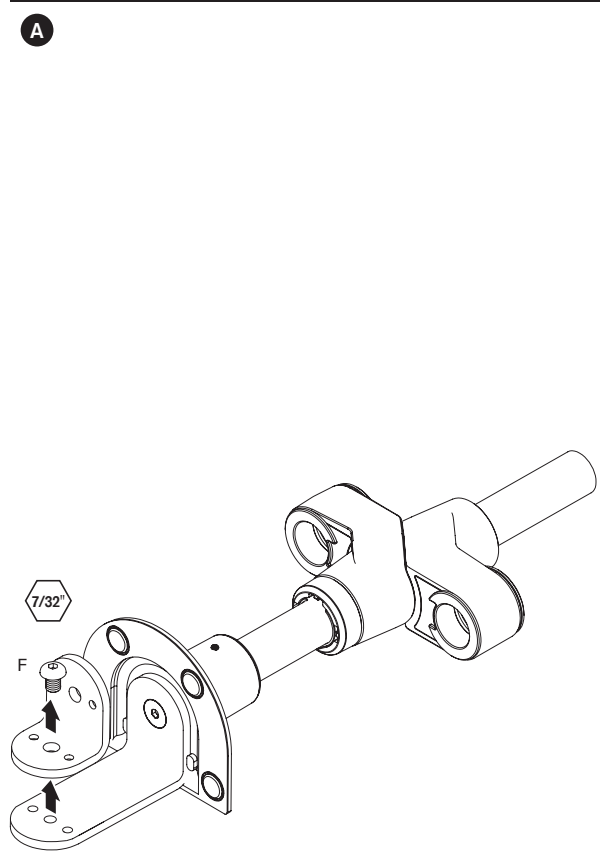
*** Included with STX-03S, STX-03W, STX-33S, STX-33W only.**

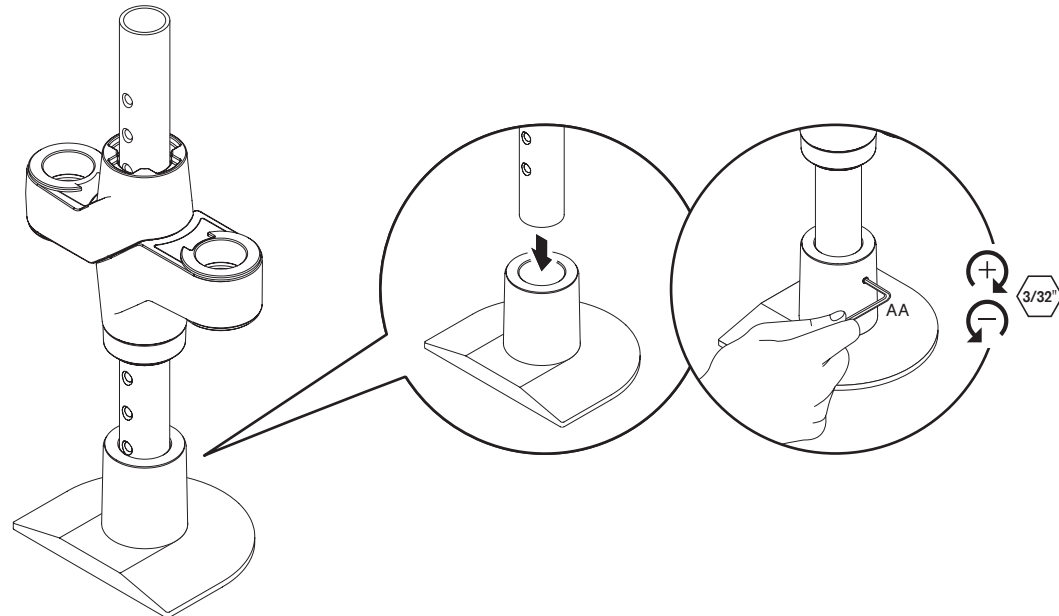
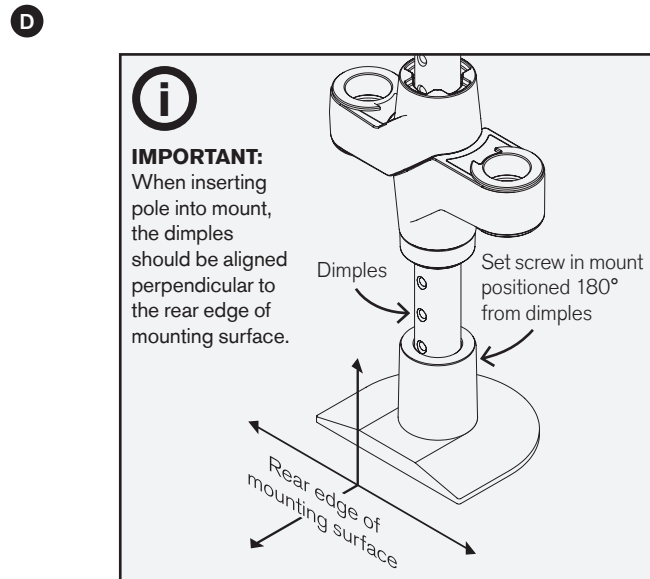
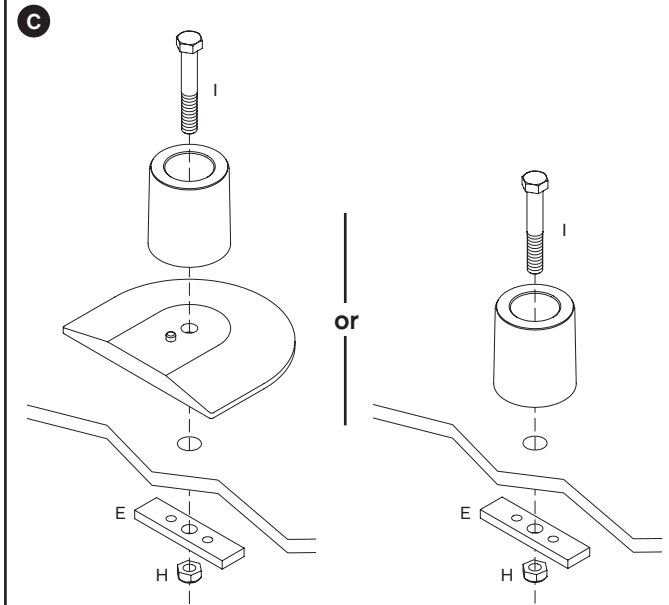
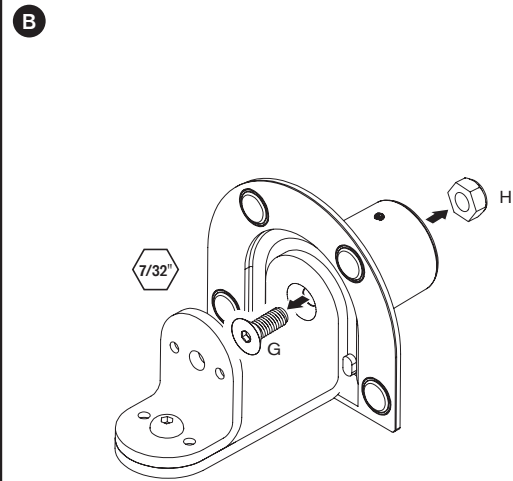
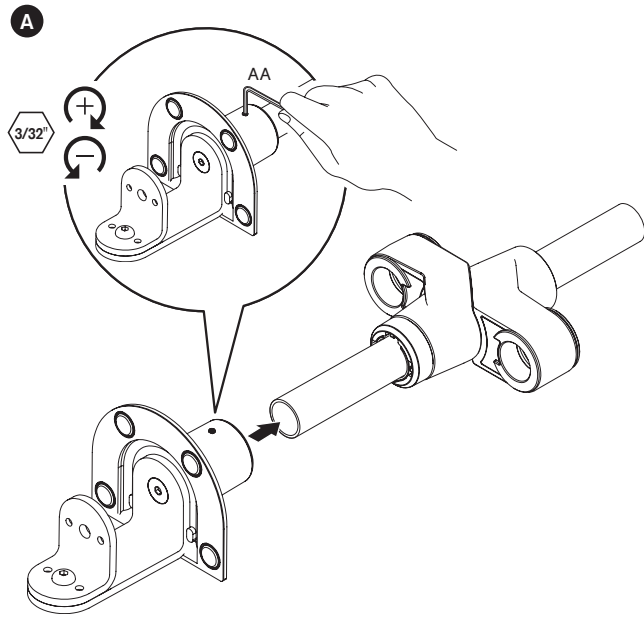
A



B

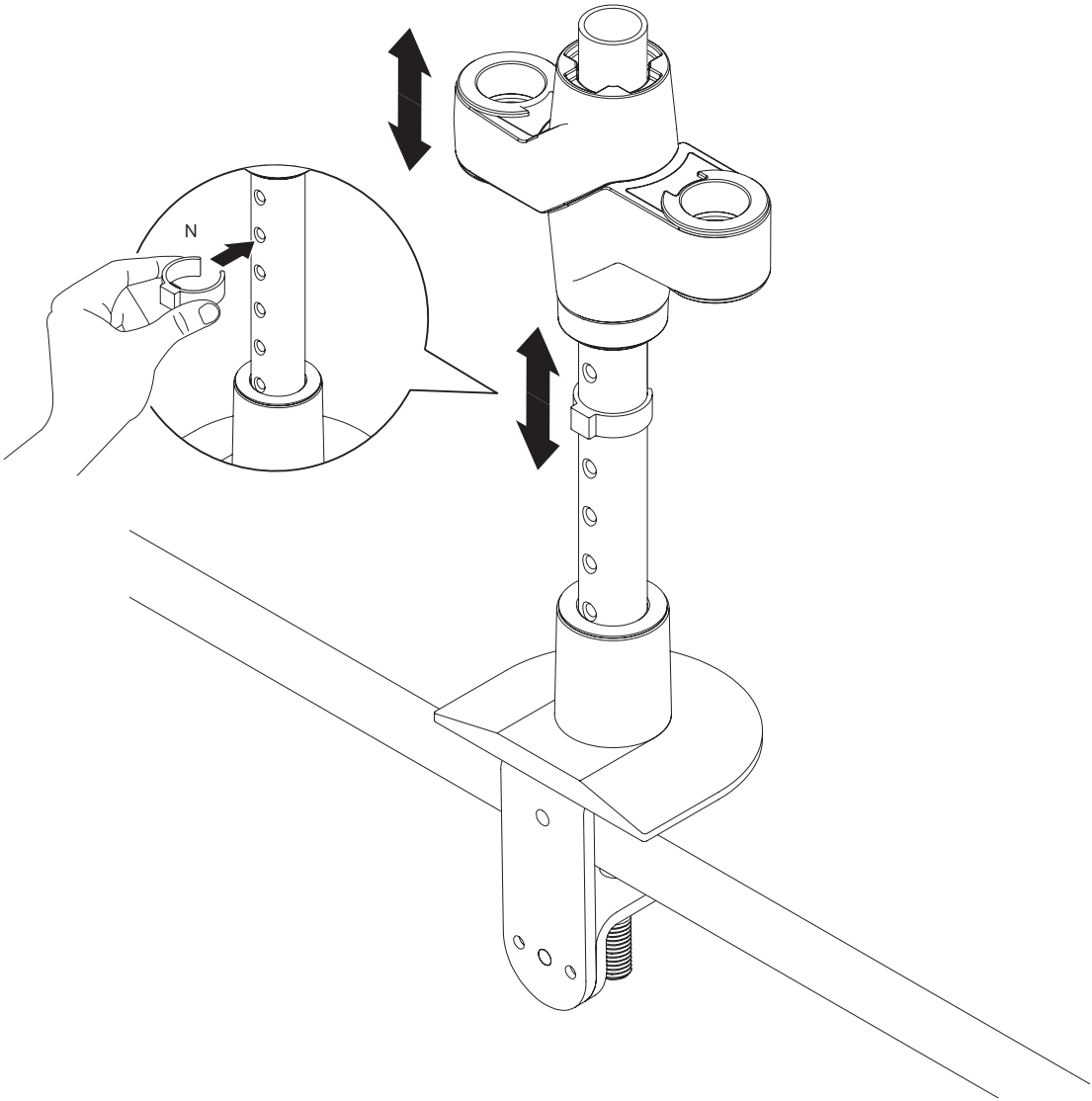




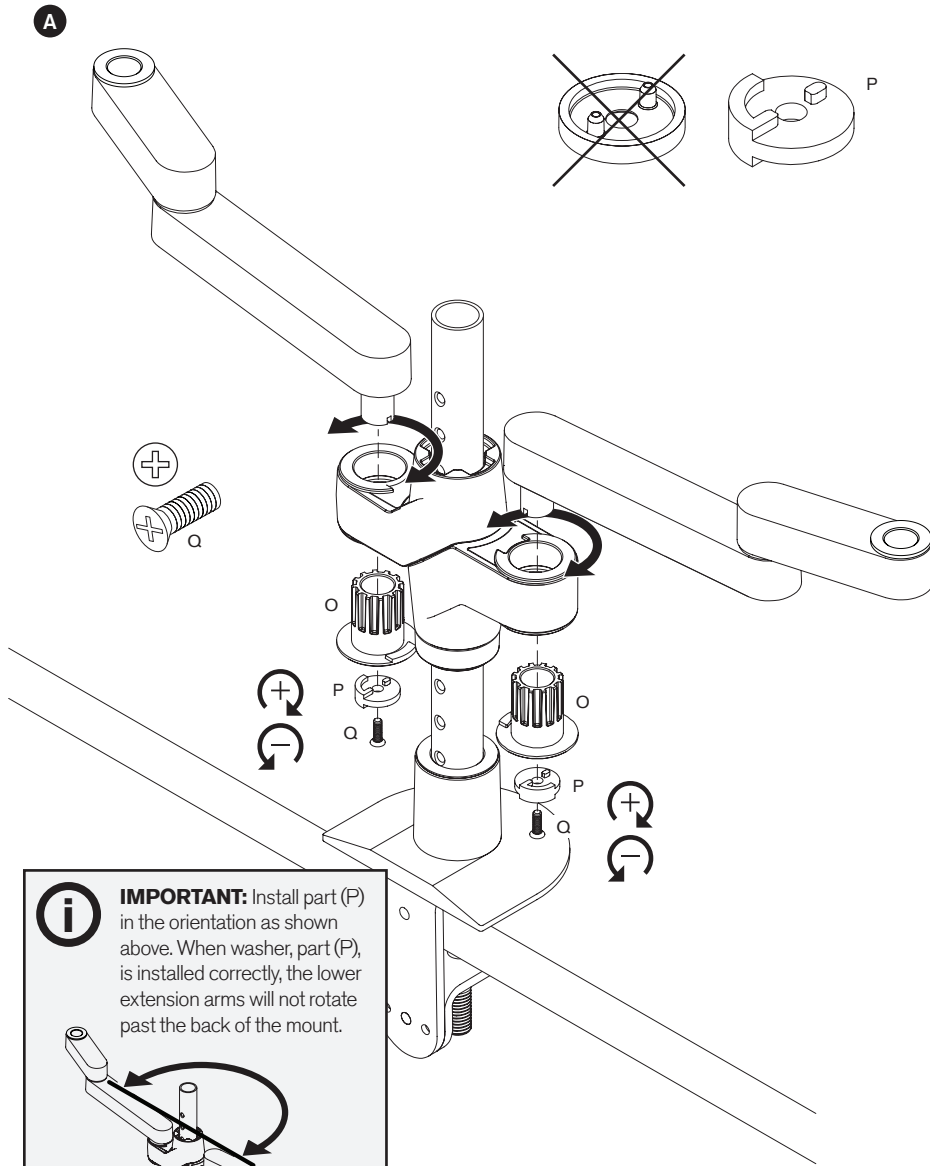


2 | ADJUST MONITOR HEIGHT

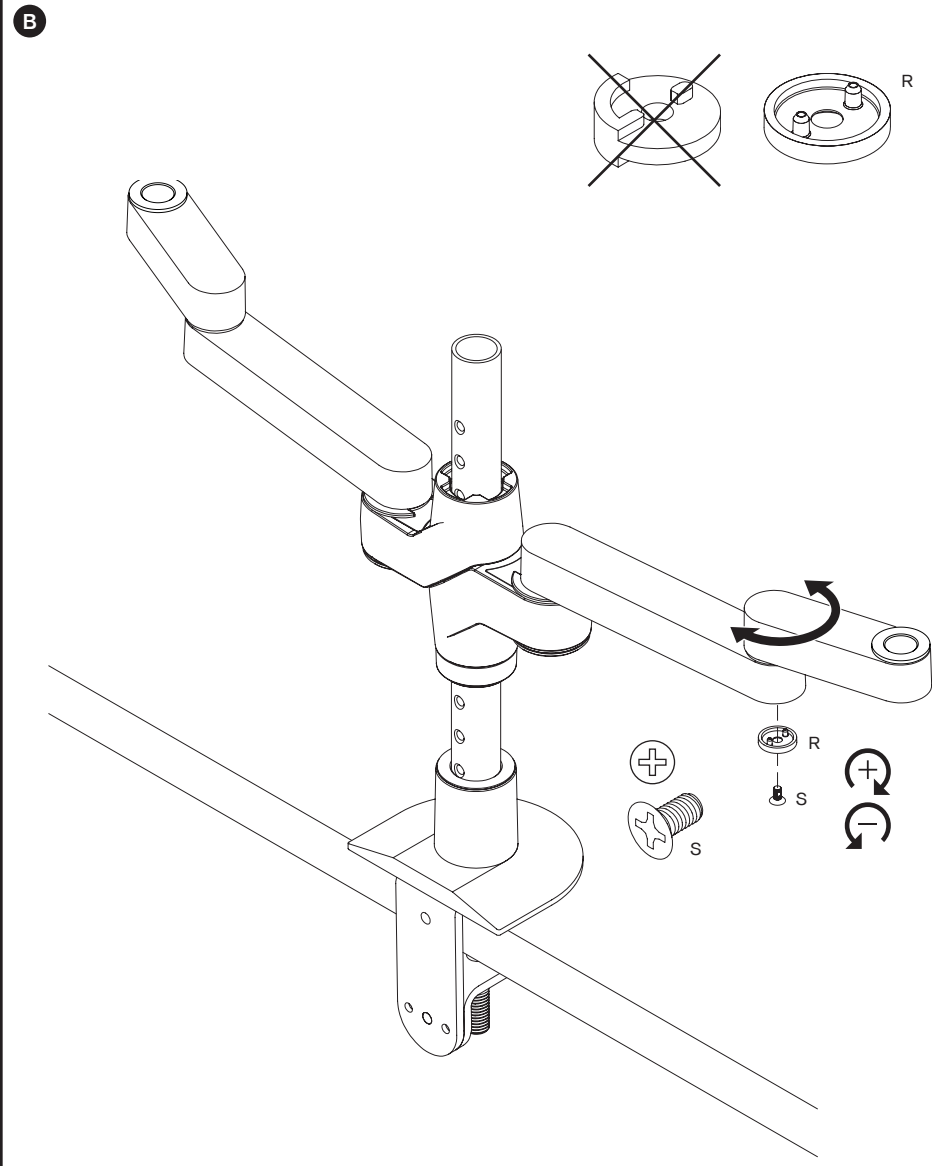
A



3 | EXTENSION ARMS

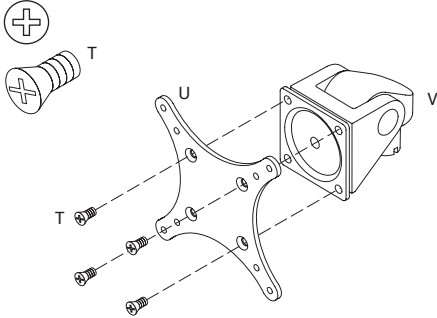


i **IMPORTANT:** Install part (P) in the orientation as shown above. When washer, part (P), is installed correctly, the lower extension arms will not rotate past the back of the mount.

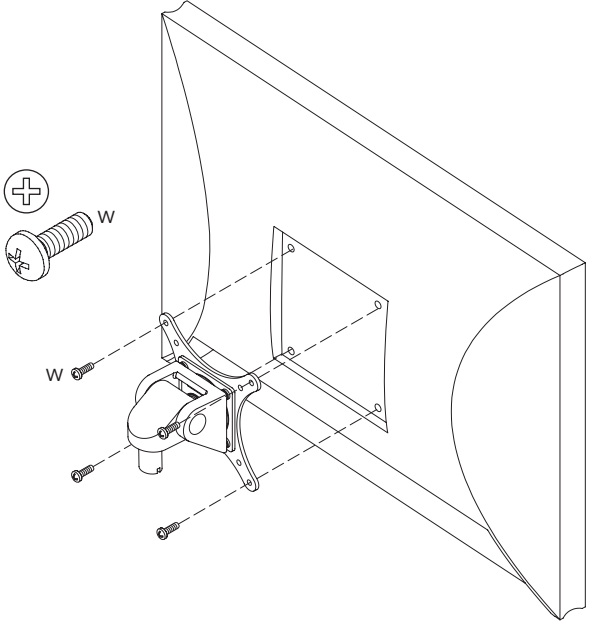


4 | MONITOR FILTER

A

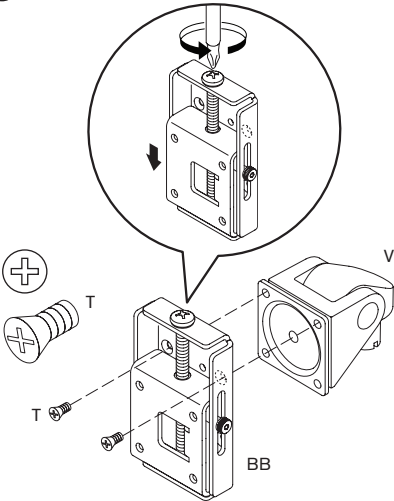


B

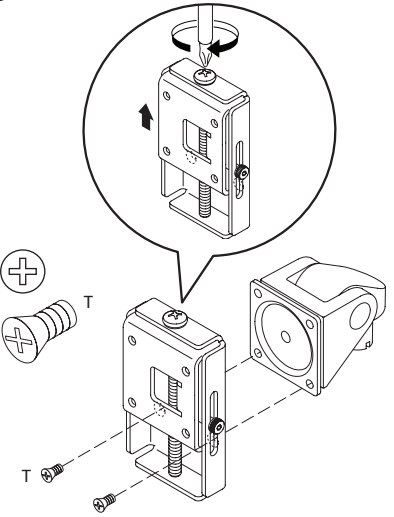


ARE YOU INSTALLING: STX-03S, STX-03W, STX-33S, STX-33W?
IF NOT, PLEASE CONTINUE TO NEXT STEP.

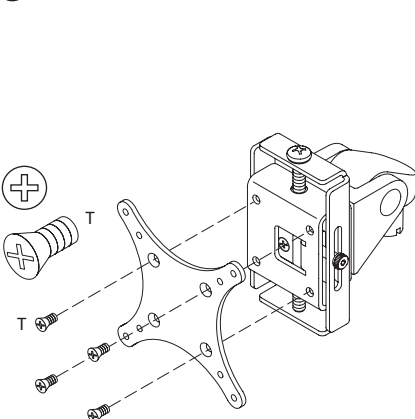
C



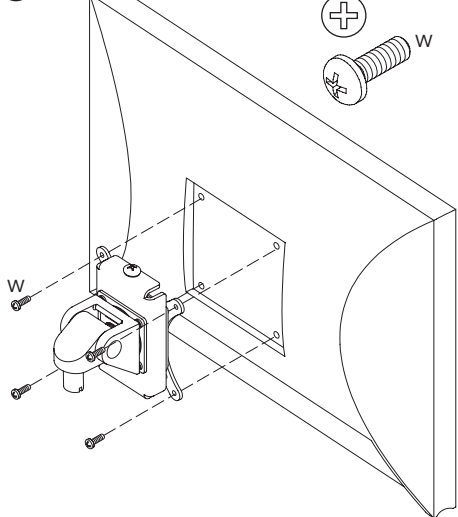
D



E

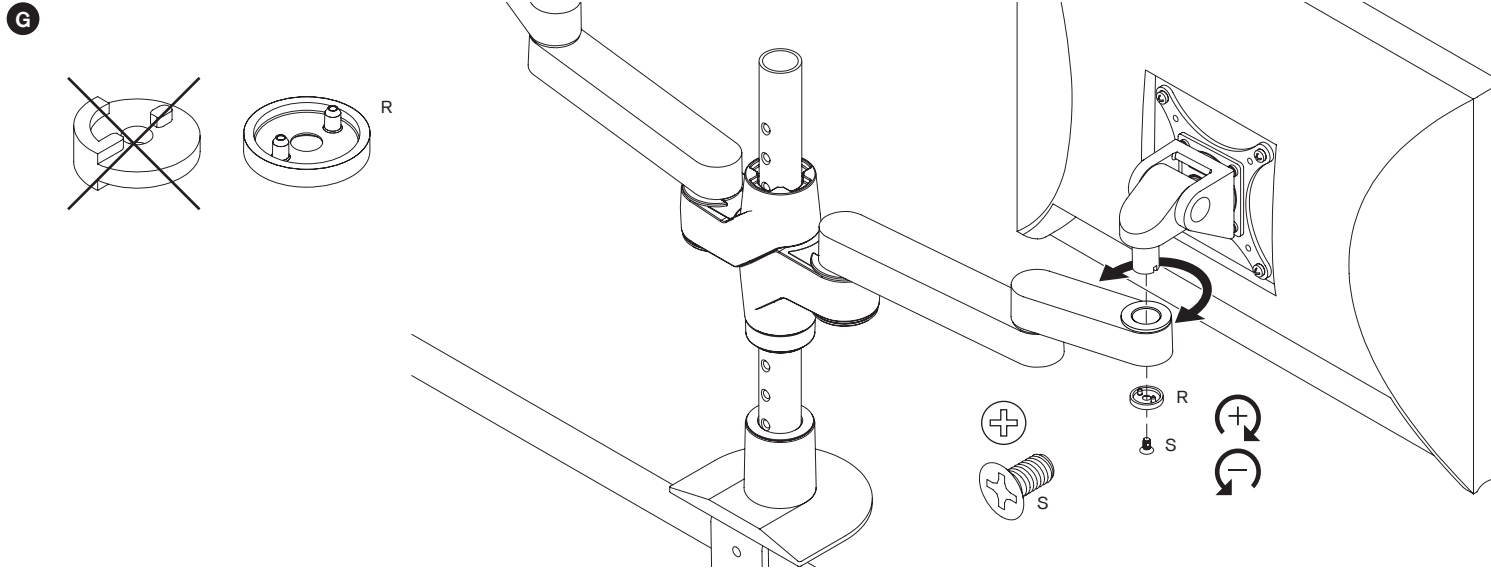


F

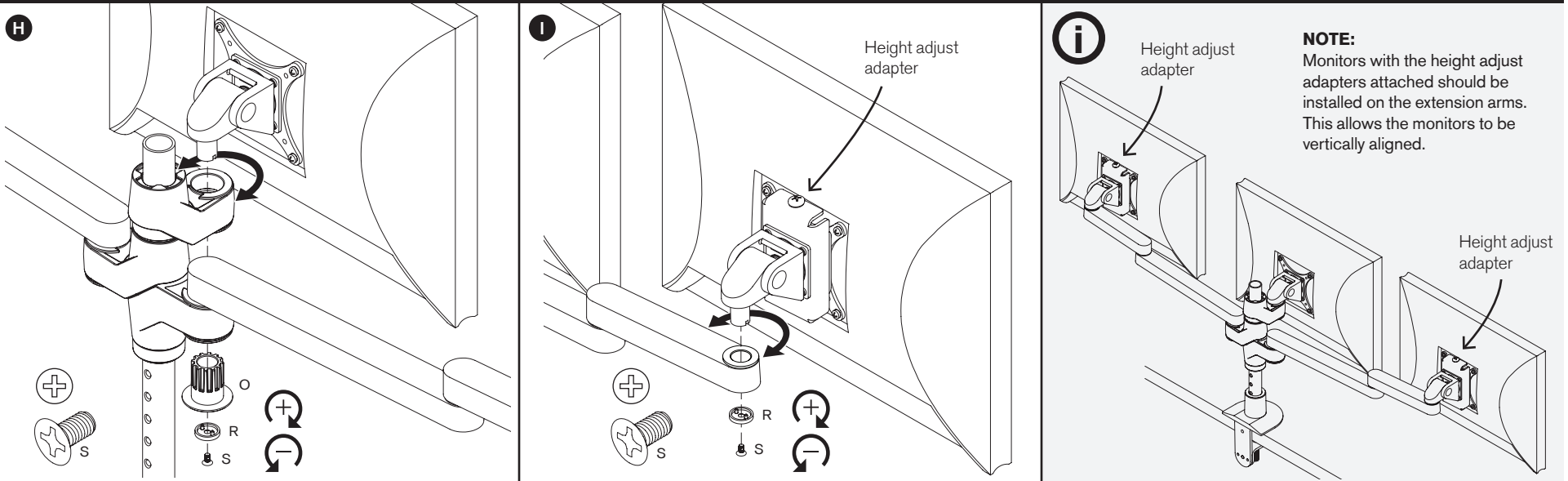


4 | MONITOR TILTER

ARE YOU INSTALLING: STX-02S, STX-02W, STX22S, STX-22W?
IF NOT, PLEASE CONTINUE TO NEXT STEP.



ARE YOU INSTALLING: STX-03S, STX-03W, STX-33S, STX-33W?
IF NOT, PLEASE CONTINUE TO NEXT STEP.



5 | CABLE MANAGEMENT

