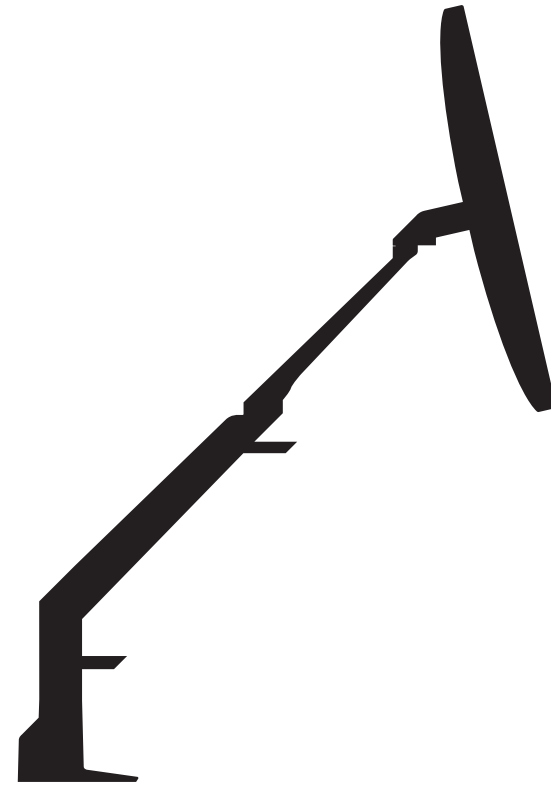


innovative



EVO® | DESIGNED BY INNOVATIVE

Assembly diagram showing components and their assembly sequence:

- Step 1: Unboxing icon (curved arrow).
- Step 2: Checkmark and a box containing a small diagram of a component.
- Step 3: Checkmark and a diagram of the main arm assembly.
- Step 4: Plus sign (+) and a diagram of a component labeled 5900.
- Step 5: "or" and a diagram of a component labeled 8508.
- Step 6: "or" and a diagram of a component labeled 5902.

Component list:

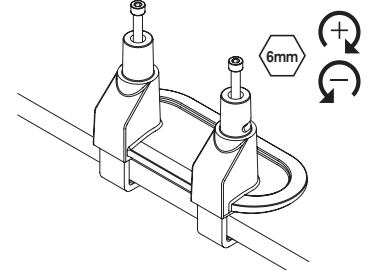
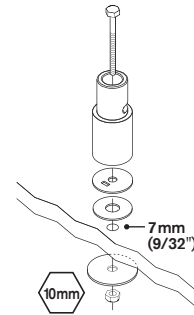
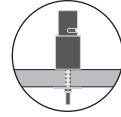
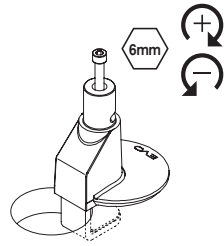
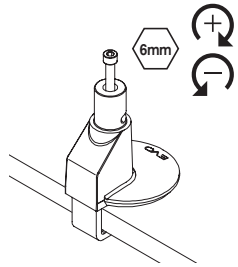
- 4x 701153 (Screws)
- 111864 (Bracket)
- 111937 (Bracket)
- 709877 (4mm Allen Key)
- 712881 (6mm Allen Key)
- 709667 (Screw)
- 109955 (Washer)
- 110265 (Washer)
- 109886 (Washer)
- 709543 (Nut)

5900 | EVO Single Monitor Mount

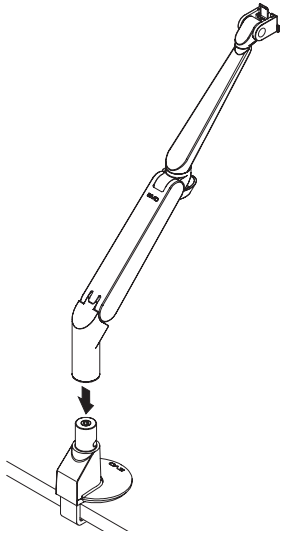
8508 | Thru-Desk Kit

5902 | EVO Dual Monitor Mount

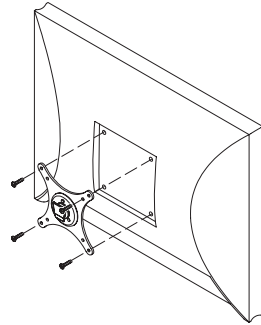
1



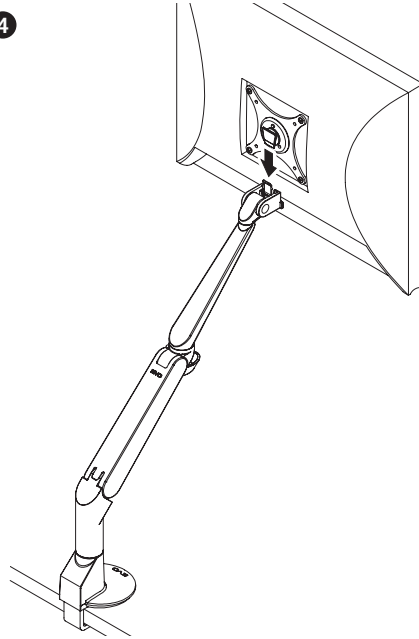
2



3

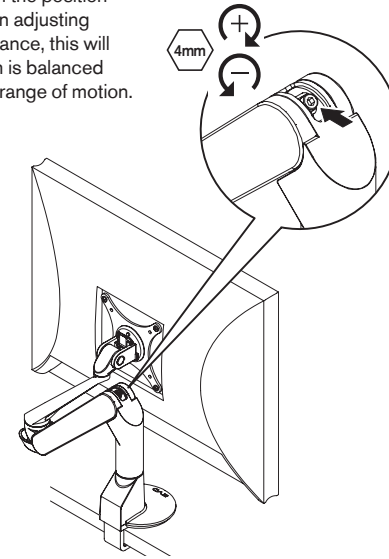


4

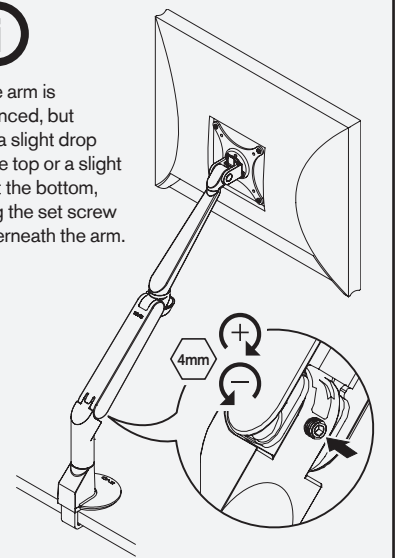


5

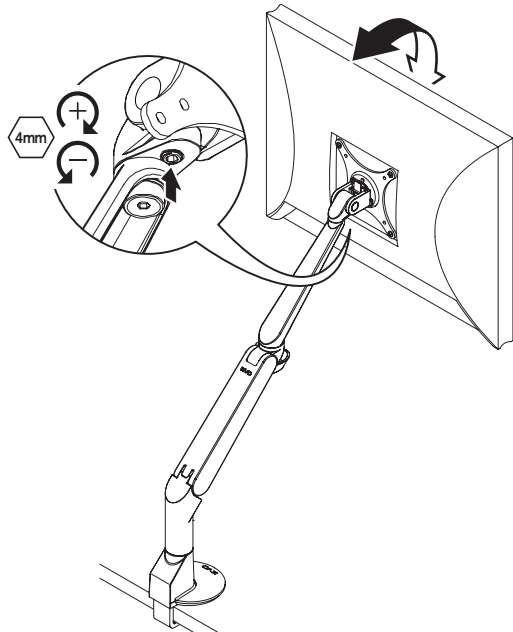
Hold the arm in the position as shown when adjusting the counterbalance, this will ensure the arm is balanced throughout its range of motion.



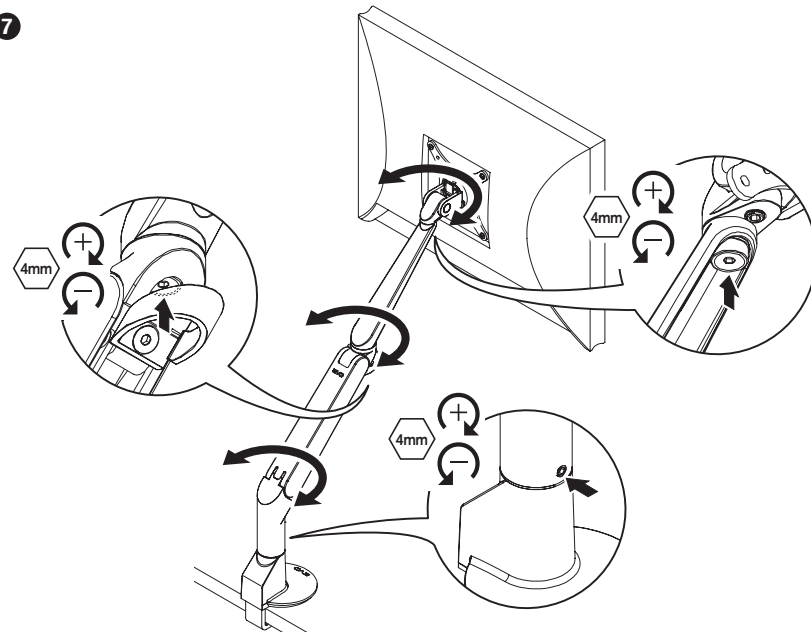
If the arm is balanced, but has a slight drop at the top or a slight lift at the bottom, snug the set screw underneath the arm.



6



7



8

