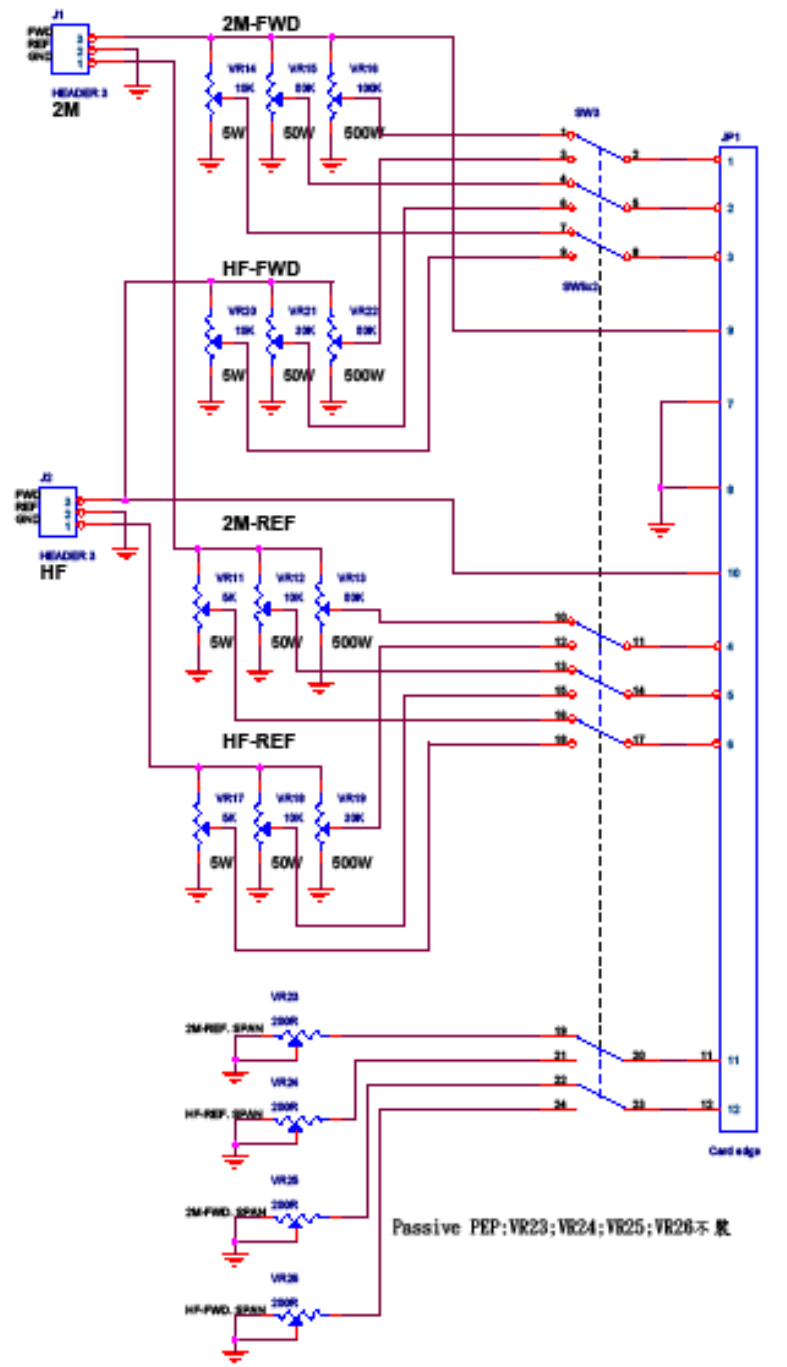
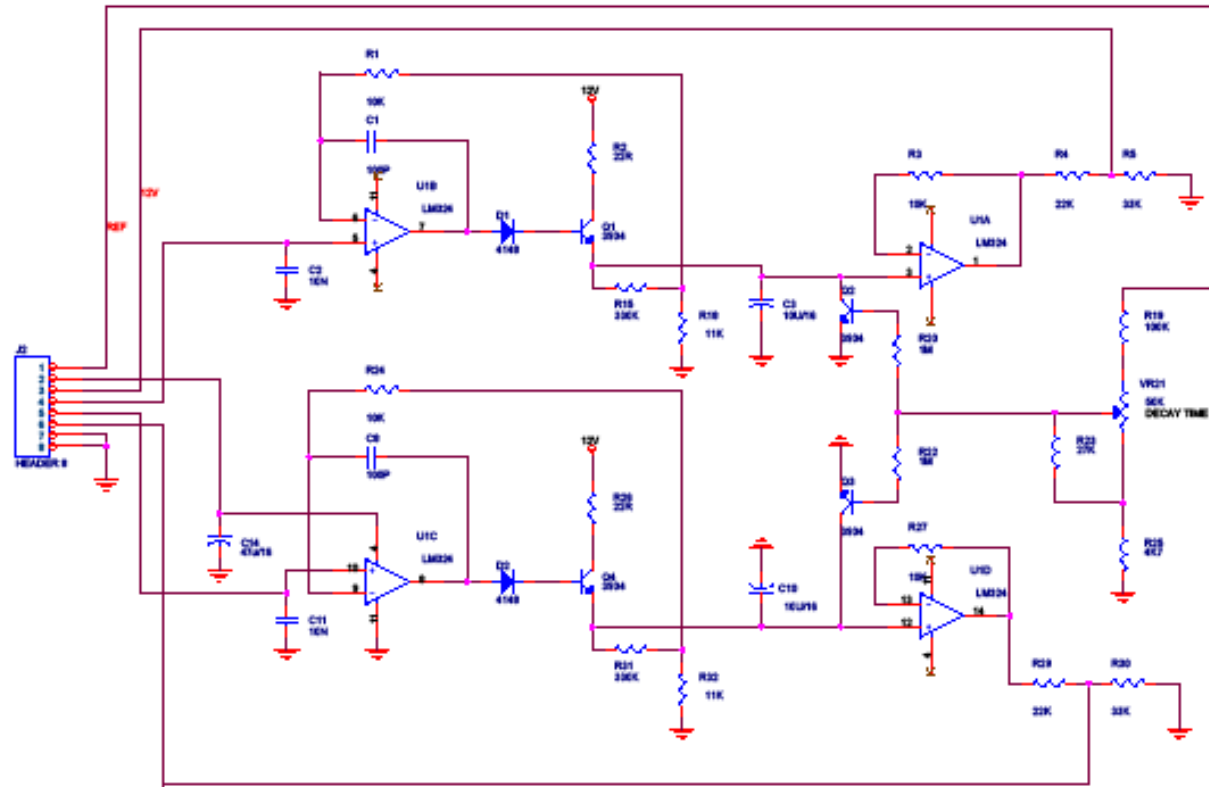


Size A4	Document Number RS-101 A BOARD SCHEMATIC	Rev 0
Date Friday, August 20, 2005	Sheet 1	of 2



Title		
TS-891 C board		
Size	Document Number	Rev
A3	<Doc>	3
Date	Printed August 28, 2004	Sheet 1 of 1



Rev	TX-501A D board	Rev	Rev Code
Size	Document Number		
A3	<Doc>		
Date	Friday, August 29, 2008	Sheet	1 of 1