

HV-4TB

Do not place the antenna where it could come in contact with power lines when assembled or tilted over. Use Eye Protection while working on the antenna and base.

The HV-4TB is an accessory tilt base for the HV-4E 4 band vertical antenna to allow the antenna to be tilted over instead of being removed from the base mount for maintenance and tuning.

Parts in the kit

Item	Qty	Item ID	Description
[]	1	735-HV4E-BB	Tilt Base Plate
[]	2	506708	1/4-20 x 1/2" Stainless Bolts
[]	3	14399	1/4-20 Stainless Lock Nuts
[]	1	10719	1/4-20 x 3" Stainless Bolt

Tools

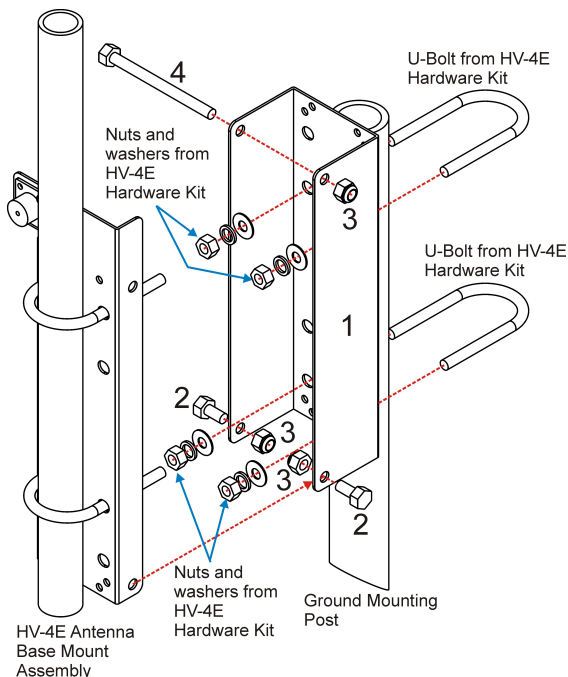
- [] Two 7/16" or Adjustable Wrenches

Parts to be reused from HV-4E antenna 17-HV4E-MT kit

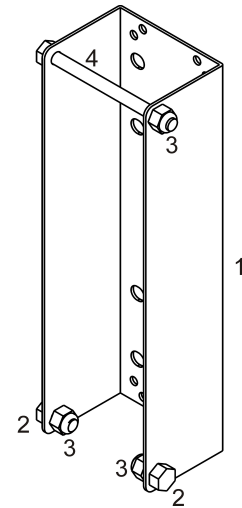
[]	2	010401	U-Bolt from 17-HV4E-MT kit
[]	4	010104	Flat Washers from 17-HV4E-MT kit
[]	4	010084	Split Ring Lock Washers from 17-HV4E-MT kit
[]	4	010085	1/4-20 SS Nut from 17-HV4E-MT kit

Assembly

1. If the Tilt Base is being assembled at the same time as the HV4E antenna, assemble the HV-4E Antenna Base Assembly, excluding the two U-Bolts for the ground support post, then skip to step 4 of this sheet.
2. If the HV-4E antenna is already assembled then remove the antenna from the ground mounting post and place the antenna on some sort of supports to prevent bending of the spokes.
3. Remove the Antenna Mounting Base Assembly from the antenna and remove the U-Bolts, Nuts, and Washers that hold the HV-4E antenna to the Ground Mounting Post.

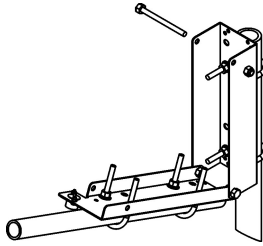


4. Attach the U-Bolts, washers, and nuts to be used to mount to the ground mounting post to the 735-HV4E-BB Tilt Base Plate (1) and attach it to the ground mount post.
5. Slide the HV-4E Base Mount Assembly into the Tilt Base Plate (1) and using the two 1/4-20x1/2 bolts (2) and two 1/4-20 Lock Nuts connect the assembly to the tilt base. Tighten the bolts and nuts then back the nuts off about 1/4 of a turn so that the Antenna Base Assembly will tilt freely without too much play.
6. Put the 1.4x3" bolt (4) in the top holes and put on the 1/4-20 Lock Nut (3) on and tighten.
7. The antenna can be placed on the fiberglass base tube of the Antenna Base Assembly as per the instructions in the HV-4E manual.



HV4TB Tilt Base Assembly

8. If you are assembling the HV-4E antenna at the same time as installing the tilt base then continue with the assembly instructions for the HV-4E. The tilt base will allow for easy access to tune the antenna without removal of the antenna from the mount for each tuning step.



To tilt over the antenna remove the 1/4-20x3" bolt and locking nut and the antenna will tilt over. Replace the bolt and nut when the antenna is placed back upright.

Ground connections are recommended to be connected to the 735-HV4E-BA antenna base plate for best results. If the grounding is done to the tilt base a wire should be connected between the 735-HV4E-BA and 735-HV4E-BB base parts as the bolts used as hinges may not give good conductivity.

LIMITED WARRANTY

Cushcraft Amateur Radio Antennas, 308 Industrial Park Rd., Starkville, MS 39759, warrants to the original consumer purchaser for one year from date of purchase that each Cushcraft antenna is free of defects in materials or workmanship. If, in the judgment of Cushcraft, any such antenna is defective, then Cushcraft Amateur Radio Antennas will, at its option, repair or replace the antenna at its expense within thirty days of the date the antenna is returned (at purchasers expense) to Cushcraft or one of its authorized representatives. This warranty is in lieu of all other expressed warranties, any implied warranty is limited in duration to one year. Cushcraft Amateur Radio Antennas shall not be liable for any incidental or consequential damages that may result from a defect. Some states do not allow limitations on how long an implied warranty lasts or exclusions or limitations of incidental or consequential damages, so the above limitation and exclusion may not apply to you. This warranty gives you specific legal rights, and you may also have other rights that vary from state to state. This warranty does not extend to any products that have been subject to misuse, neglect, accident or improper installation. Any repairs or alterations outside of the Cushcraft factory will nullify this warranty.

Cushcraft

Amateur Radio Antennas

300 Industrial Park Rd., Starkville, MS 39759
Phone: 662-323-5803 Fax: 662-323-6551
www.CushcraftAmateur.com

SPECIFICATIONS SUBJECT TO CHANGE WITHOUT NOTICE