

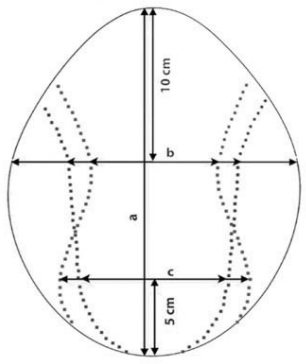
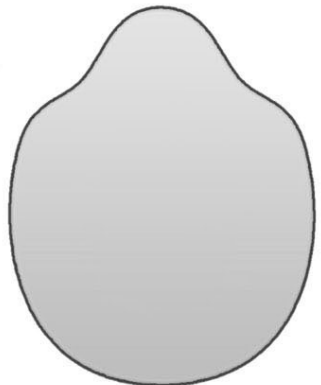
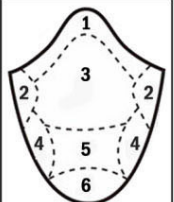
HairBro Hair System Order Form

Client Information

Client: _____ Phone #: _____ Email: _____
 Address: _____

Purchase Order No.: _____ Quantity: _____ Speed Rush Date: _____

Additional Information: _____

| Type of Hair | Base Size | Contour | Model Base Construction |
|---|--|---|---|
| <input type="checkbox"/> Indian Hair _____ % <input type="checkbox"/> Chinese Remy Hair _____ % <input type="checkbox"/> Synthetic _____ % <input type="checkbox"/> Grey <input type="checkbox"/> Synthetic <input type="checkbox"/> Human Hair <input type="checkbox"/> Yak Hair <input type="checkbox"/> Supply Hair _____ oz. | <input type="checkbox"/> Follow Mold <input type="checkbox"/> Follow Unit enclosed <input type="checkbox"/> Follow Shape and Dimensions below a. _____ b. _____ c. _____  | <input type="checkbox"/> Follow Mold <input type="checkbox"/> Follow Unit enclosed Follow Contour Guide <input type="checkbox"/> 52cm <input type="checkbox"/> 54cm <input type="checkbox"/> 56cm <input type="checkbox"/> 58cm <input type="checkbox"/> 60cm Bleach Knots <input type="checkbox"/> Front only <input type="checkbox"/> Front & Break only <input type="checkbox"/> All Lace Ventilation <input type="checkbox"/> Standard <input type="checkbox"/> Single hair implant <input type="checkbox"/> Single hair in front only <input type="checkbox"/> Lay flat on sides & back | <input type="checkbox"/> Model No: _____ <input type="checkbox"/> Follow Mold <input type="checkbox"/> Follow Unit enclosed <input type="checkbox"/> Other base design see below  |
| Finished Hair Length | | | |
| <input type="checkbox"/> Front _____ In. <input type="checkbox"/> Top/Crown _____ In. <input type="checkbox"/> Temples _____ In. <input type="checkbox"/> Sides _____ In. <input type="checkbox"/> Back _____ In. | | | |
| Section | Frontal Design | Under-Vent | |
|  | <input type="checkbox"/> Follow Mold <input type="checkbox"/> Follow Unit enclosed Follow Frontal Design Guide <input type="checkbox"/> BH1 <input type="checkbox"/> BH2 <input type="checkbox"/> BH3 <input type="checkbox"/> BH4 <input type="checkbox"/> BH5 <input type="checkbox"/> BH6 | <input type="checkbox"/> Front <input type="checkbox"/> Entire Perimeter <input type="checkbox"/> Back & Sides ☆ Density: <input type="checkbox"/> Lt. <input type="checkbox"/> Med. Lt. <input type="checkbox"/> Med. <input type="checkbox"/> Heavy | <input type="checkbox"/> Natural hair line in front <input type="checkbox"/> Bring density to front edge <input type="checkbox"/> # _____ Scallop <input type="checkbox"/> Comb Clips <input type="checkbox"/> Mini () <input type="checkbox"/> Medium () <input type="checkbox"/> Large () |

Styles No Crown

Part Left Part Right Part Center Break Left Break Right Break Center Brush Back Overall Curly Brush Forward Freestyle

| Wave/Curl Pattern | | | | | | | | | Density | | | | |
|-------------------|------------------|---------------------|-----------------------|----------------------|----------------------|----------------------|----------------------|---------------|-----------|-------|--------|--------|-------|
| | A Afro 3mm | B Md.Afro 6mm | C Tgt.Curl 10mm | D Md.Curl 13mm | E Lt.Wave 19mm | F Lt.Mvmt 25mm | G St.Mvmt 38mm | H Very St. | Extra Lt. | Light | Med.Lt | Medium | Heavy |
| Front | | | | | | | | | | | | | |
| T./C. | | | | | | | | | | | | | |
| Sides | | | | | | | | | | | | | |
| Back | | | | | | | | | | | | | |

☆ Part/Break Triangle Front Edge _____

| Color Percentage Specifications | | | | | | | Highlight | | | | |
|---------------------------------|-------|------|-------|---------|-------|------|-----------|----------|--------|--------|--------------|
| | Front | Top | Crown | Temples | Sides | Back | Size | Distance | Square | Circle | Checkerboard |
| (A) | | | | | | | Front | | | | |
| (B) | | | | | | | Top | | | | |
| (C) | | | | | | | Crown | | | | |
| (D) | | | | | | | Temples | | | | |
| | | | | | | | Sides | | | | |
| Total Percent (%) | 100% | 100% | 100% | 100% | 100% | 100% | Back | | | | |

Color Ring Name:

Color like sample enclosed No red tone, Ash only
 Color like unit enclosed No Grey

REMINDER:

Dont forget to include your template, hair sample(s), & order form. Send all items to the address listed below.

MAIL TO:

Address: Room 1115,
Shi Dai Square, NO.52,
HongKong Middle Road,
Shi Nan District, Qingdao City, China.

Special Instructions: