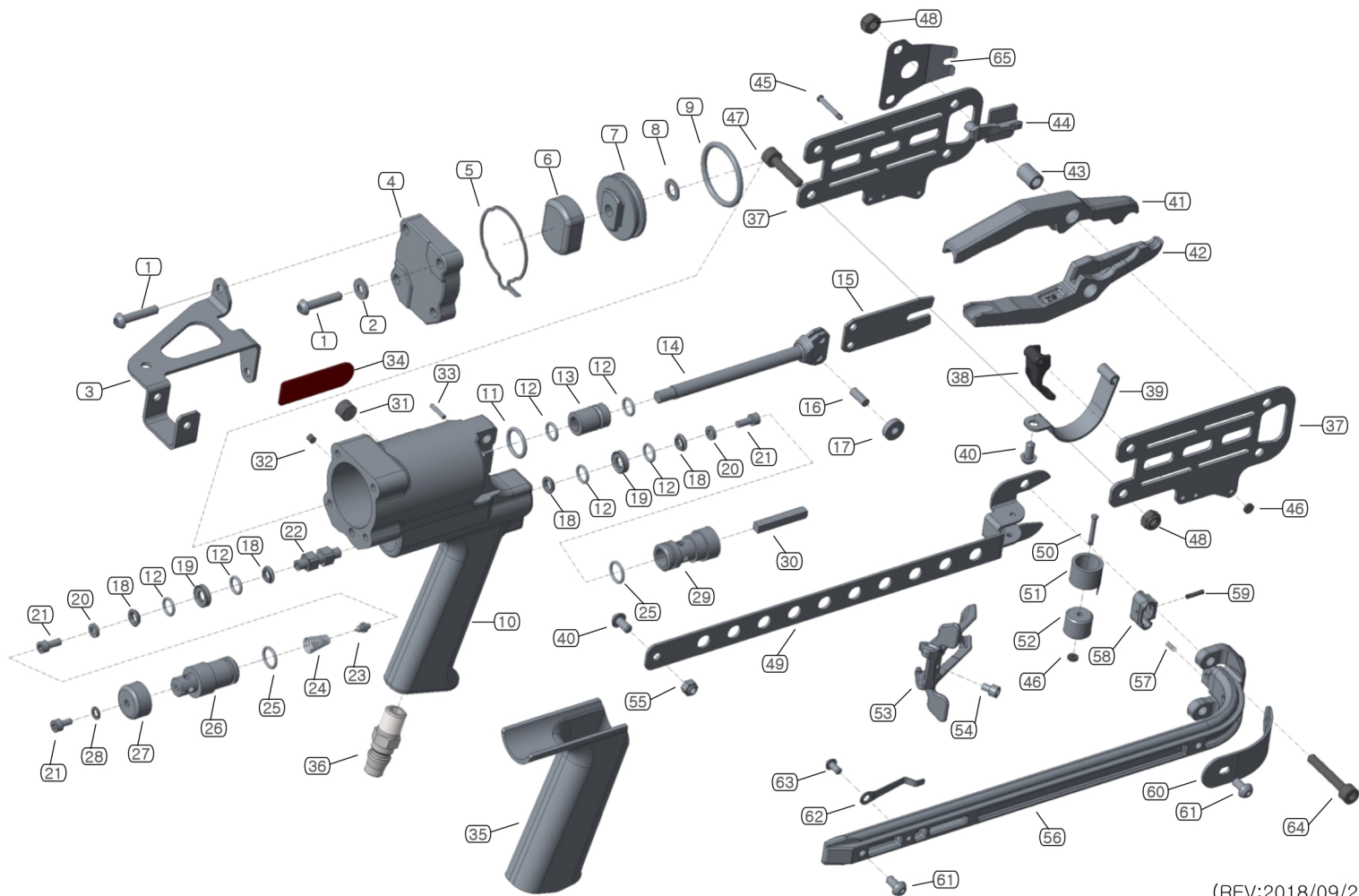


EXPLODED DIAGRAM OF JC7, JC7C, JC7E



(REV:2018/09/20)

NO.	DESCRIPTION	MODEL NO.	PART NO.	QTY	NO.	DESCRIPTION	MODEL NO.	PART NO.	QTY
1	BOLT (ROUND HEAD M5x25L)		ZR-05-250	4	34	PROTECTOR	JC7	JC7-B-008	1
2	RING PLATE		JN65S-M-017	2	35	GRIP	JC7	JC7-B-004	1
3	BRACKET		JC7-M-010	1	36	AIR PLUG		9032-B-005	1
4	CAP		JC7-C-001	1	37	SIDE PLATE		JC7-G-005	2
5	CAP O-RING		JC7-C-002	1	38	TRIGGER		JC7-T-001	1
6	PISTON BUMPER	JC7	X	-	39	TRIGGER GUARD		JC7-T-002	1
		JC7E			40	BOLT (ROUND HEAD M5x10L)		ZR-05-100	2
		JC7C	JC7C-P-008	1			JC7	JC7-G-001	
7	PISTON		JC7-P-001	1	41	UPPER JAW	JC7C	JC7C-G-001	1
8	RING PLATE		JC760-P-009	1			JC7E	JC7E-G-001	
9	PISTON O-RING		JC7-P-003	1	42	LOWER JAW	JC7	JC7-G-002	
10	BODY		JC7-B-001	1			JC7C	JC7C-G-002	1
11	BODY O-RING		JC7-B-010	1			JC7E	JC7E-G-002	
12	VALVE PLUNGER O-RING		JC7-V-006	6	43	JAW BUSHING		JC7-G-003	2
13	PISTON ROD BUSHING		JC7-P-005	1			JC7	JC7-G-008	
14	PISTON ROD	JC7	JC7-P-002	1	44	LATCH	JC7C	JC7C-G-008	1
		JC7E					JC7E	JC7E-G-008	
		JC7C	JC7C-P-002		45	CLICK LEVER PIN		1013-L-003	3
15	FEEDER BLADE	JC7	JC7-P-004	1	46	PIN RETAINER		JPS38R-M-004	4
		JC7C	JC7C-P-004	1	47	BOLT (M6x25L)		Z-06-250	2
		JC7E	JC7E-P-004		48	LOCK NUT (for M6)		NN-06	4
16	ROLLER PIN		JC7-P-007	2	49	NAIL GUIDE		JC7-M-009	1
17	ROLLER	JC7	JC7-P-006	4	50	PUSHER SPRING PIN		JC7-M-017	1
		JC7E			51	PUSHER SPRING		JC7-M-005	1
		JC7C	JC7C-P-006		52	DRUM		JC7-M-016	1
18	O-RING END SUPPORT		JC7-V-005	4	53	PUSHER		JC7-M-007	1
19	O-RING CENTER SUPPORT		JC7-V-007	2	54	BOLT (M4x5L)		Z-04-050	1
20	CONTACT FOOT WASHER		JNS45-S-005	2	55	LOCK NUT (for M5)		NN-05	1
21	BOLT (M4x9L)		ZN-04-090	3	56	MAGAZINE BODY		JC7-M-001	1
22	VALVE PLUNGER		JC7-V-008	1	57	MAGAZINE SHOE SPRING		JC7-M-004	2
23	SPRING LOCATOR		JC7-V-009	1	58	MAGAZINE SHOE		JC7-M-003	1
24	VALVE SPRING		JC7-V-010	1	59	ROLL PIN (Φ2.5x11)		R-25-110	1
25	VALVE O-RING		JC7-V-003	2	60	MAGAZINE COVER		JC7-M-011	1
26	REAR VALVE		JC7-V-011	1	61	BOLT (ROUND HEAD M5x12L)		ZR-05-120	3
27	SILENT CAP		JC7-V-013	1	62	RING STOPPER		JC7-M-012	1
28	SPRING WASHER (for M4)		W-04	1	63	BOLT (ROUND HEAD M4x8L)		ZR-04-080	1
29	FRONT VALVE		JC7-V-002	1	64	JAW BOLT		JC7-G-004	2
30	PLUNGER		JC7-V-001	1			JC7	JC7-G-007	
31	TAPERED PIPE PLUG (1/8")		PT1/8-070	1	65	LATCH SPRING	JC7C	JC7-G-007	1
32	SET SCREW (M5x5L)		ZS-05-050	2			JC7E	JC7E-G-007	
33	BODY PIN		JC7-B-009	1					

** All the parts of C-ringer can be changed for improvement and re-design without announcement.

(REV. : 2018/09/20)